



US00D688495S

(12) **United States Design Patent**
Gerner

(10) **Patent No.:** **US D688,495 S**

(45) **Date of Patent:** **** Aug. 27, 2013**

(54) **DISPLAY STAND**

(71) Applicant: **Sarah Gerner**, Staten Island, NY (US)

(72) Inventor: **Sarah Gerner**, Staten Island, NY (US)

(**) Term: **14 Years**

(21) Appl. No.: **29/448,768**

(22) Filed: **Mar. 13, 2013**

(51) **LOC (9) Cl.** **06-06**

(52) **U.S. Cl.**

USPC **D6/675.4**

(58) **Field of Classification Search**

USPC 108/1, 10, 28, 32; D6/396-397,
D6/449, 466-467, 470-471, 473, 491-493,
D6/509-511, 672, 672.1, 673, 675, 675.4;
211/13.1; 248/688, 444, 469, 121, 127, 133,
248/371; D14/447, 457

See application file for complete search history.

(56) **References Cited**

U.S. PATENT DOCUMENTS

D410,910 S * 6/1999 Martell D14/457
D472,403 S * 4/2003 Bogish et al. D6/466
D554,647 S * 11/2007 Chan D14/447
D563,960 S * 3/2008 Beilstein et al. D14/447

D568,889 S * 5/2008 Hughes et al. D14/451
D569,380 S * 5/2008 Beilstein et al. D14/447
D573,598 S * 7/2008 Chu D14/447
D577,361 S * 9/2008 Beilstein et al. D14/447
D578,540 S * 10/2008 Bouwknecht et al. D14/447
D641,713 S * 7/2011 Petrillo D13/168
D676,453 S * 2/2013 Hsu et al. D14/447
D677,260 S * 3/2013 Hong et al. D14/447
D677,261 S * 3/2013 Hsu et al. D14/447

* cited by examiner

Primary Examiner — Kelley Donnelly

(74) *Attorney, Agent, or Firm* — Cooper & Dunham, LLP

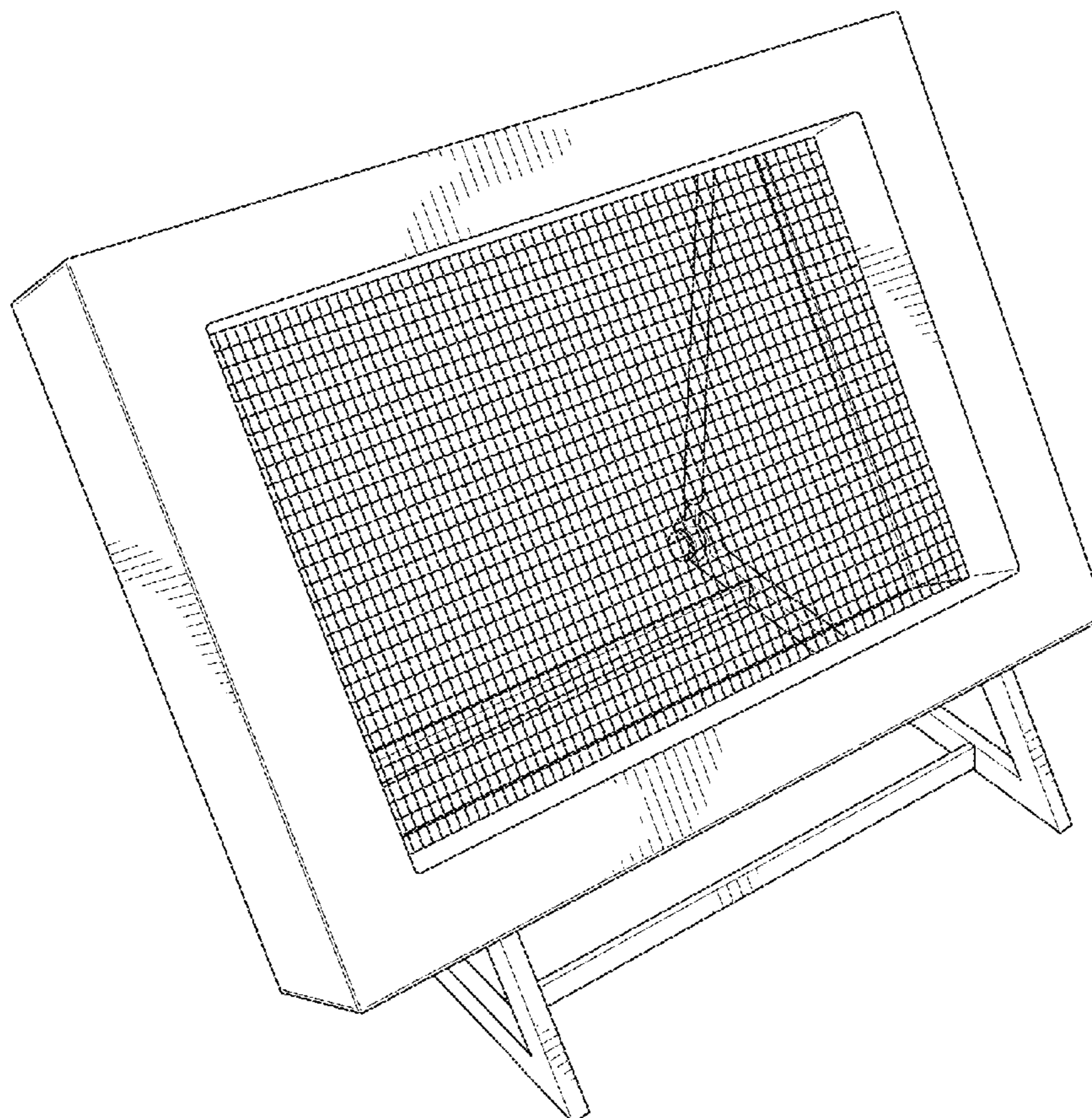
(57) **CLAIM**

The ornamental design for a display stand, as shown and described.

DESCRIPTION

FIG. 1 is a front perspective view thereof;
FIG. 2 is a rear perspective view thereof;
FIG. 3 is a front view thereof;
FIG. 4 is a rear view thereof;
FIG. 5 is a left side view thereof;
FIG. 6 is a right side view thereof;
FIG. 7 is a top view thereof; and,
FIG. 8 is a bottom view thereof.

1 Claim, 8 Drawing Sheets



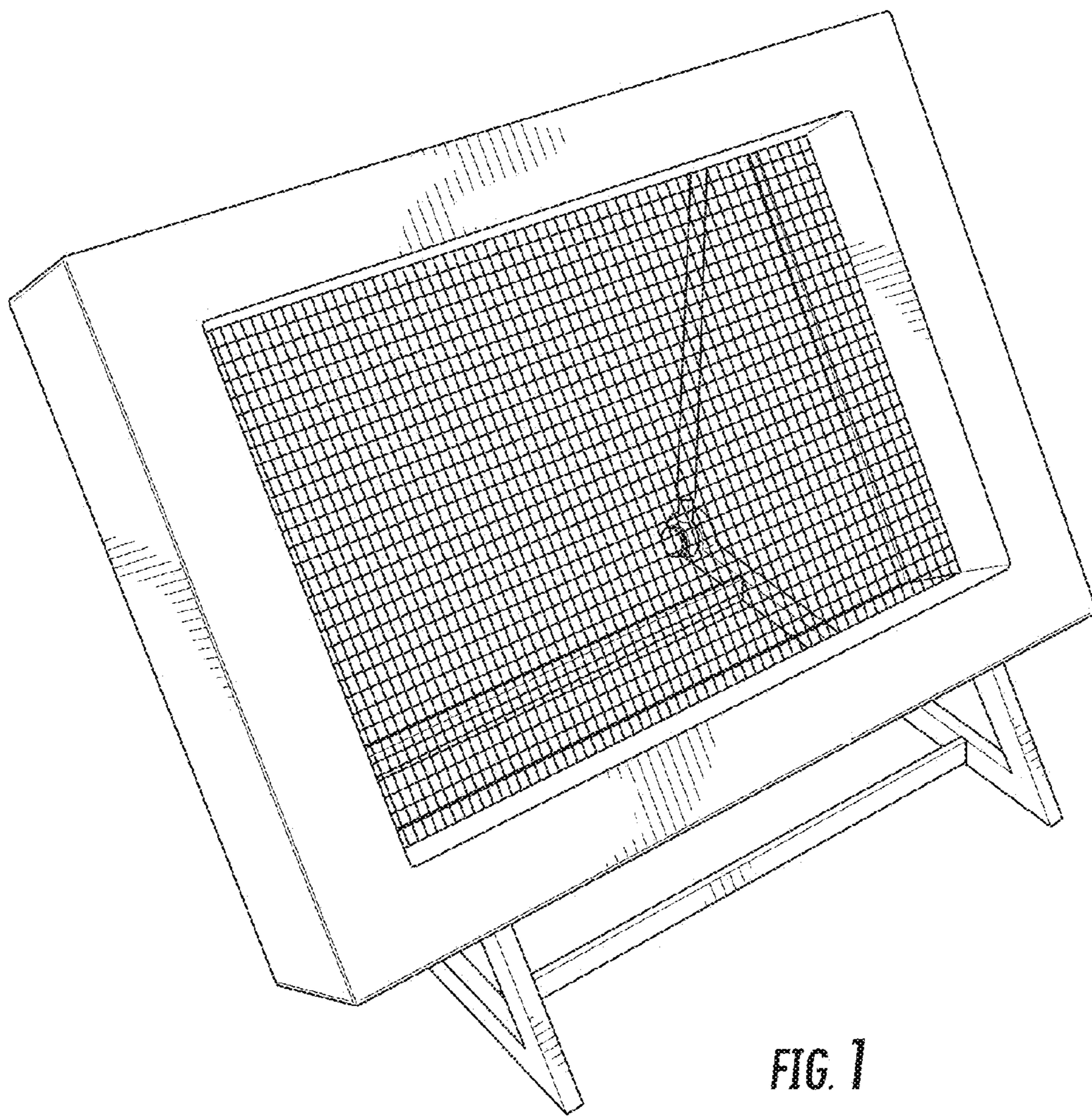


FIG. 1

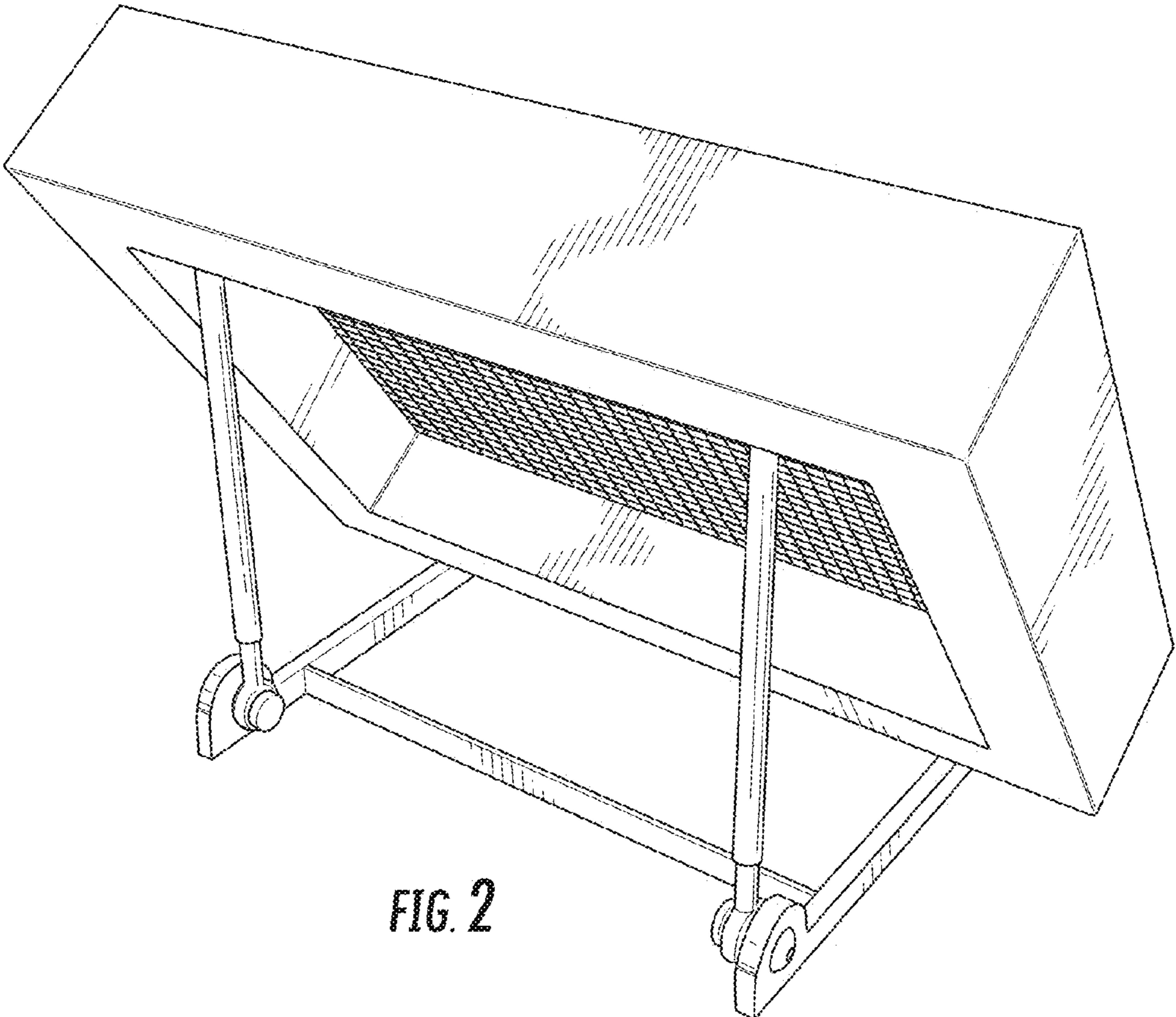


FIG. 2

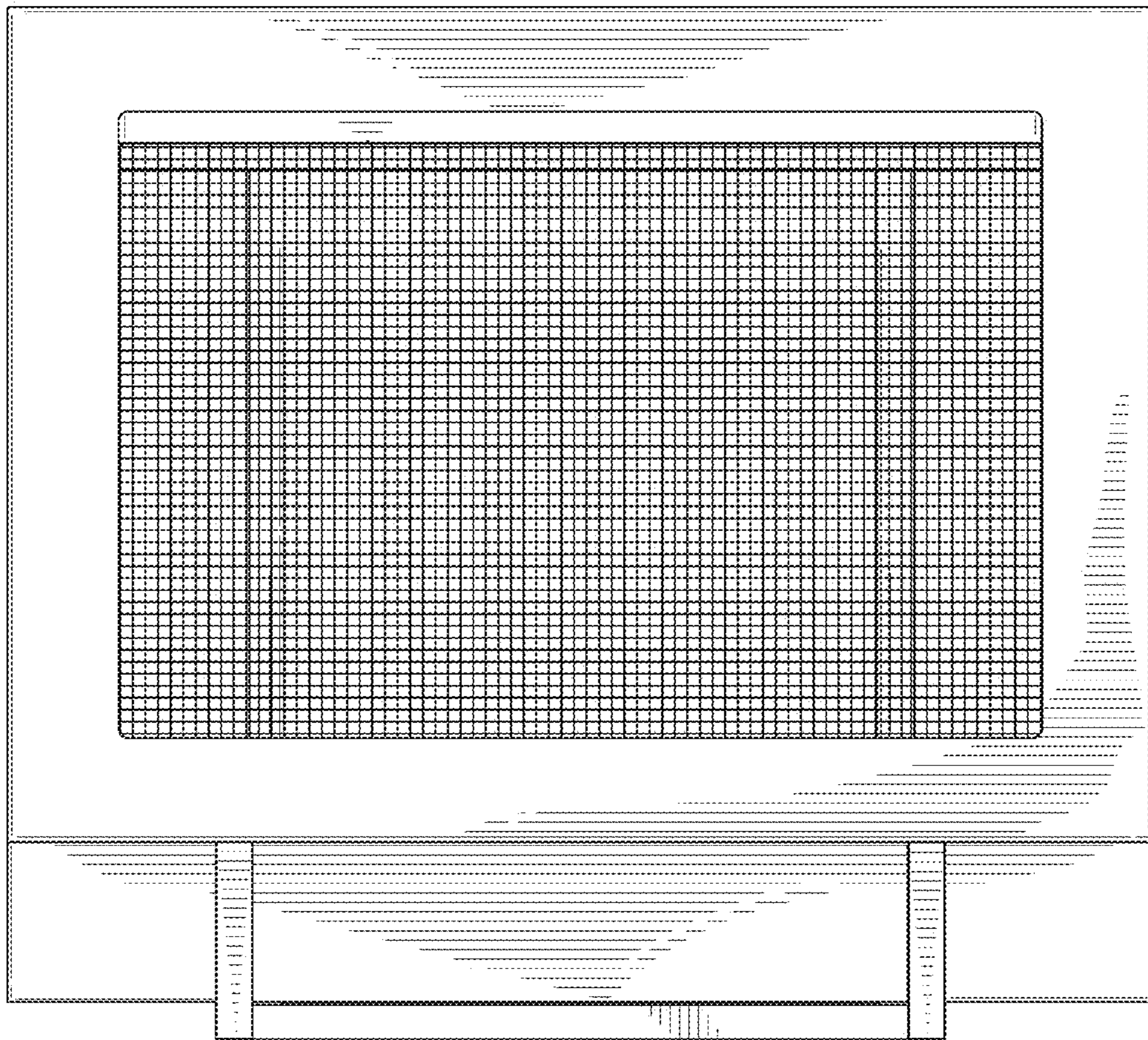


FIG. 3

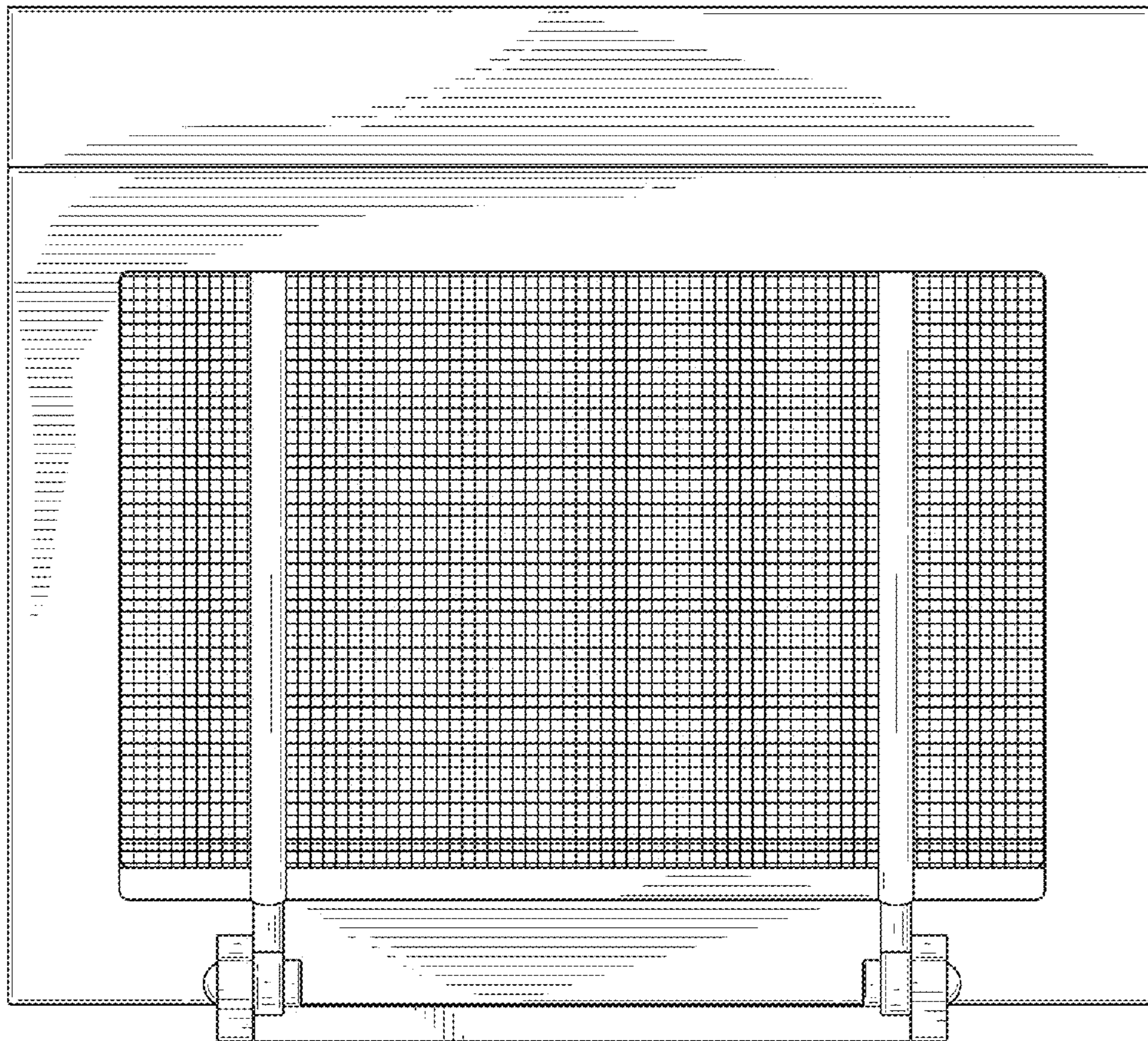


FIG. 4

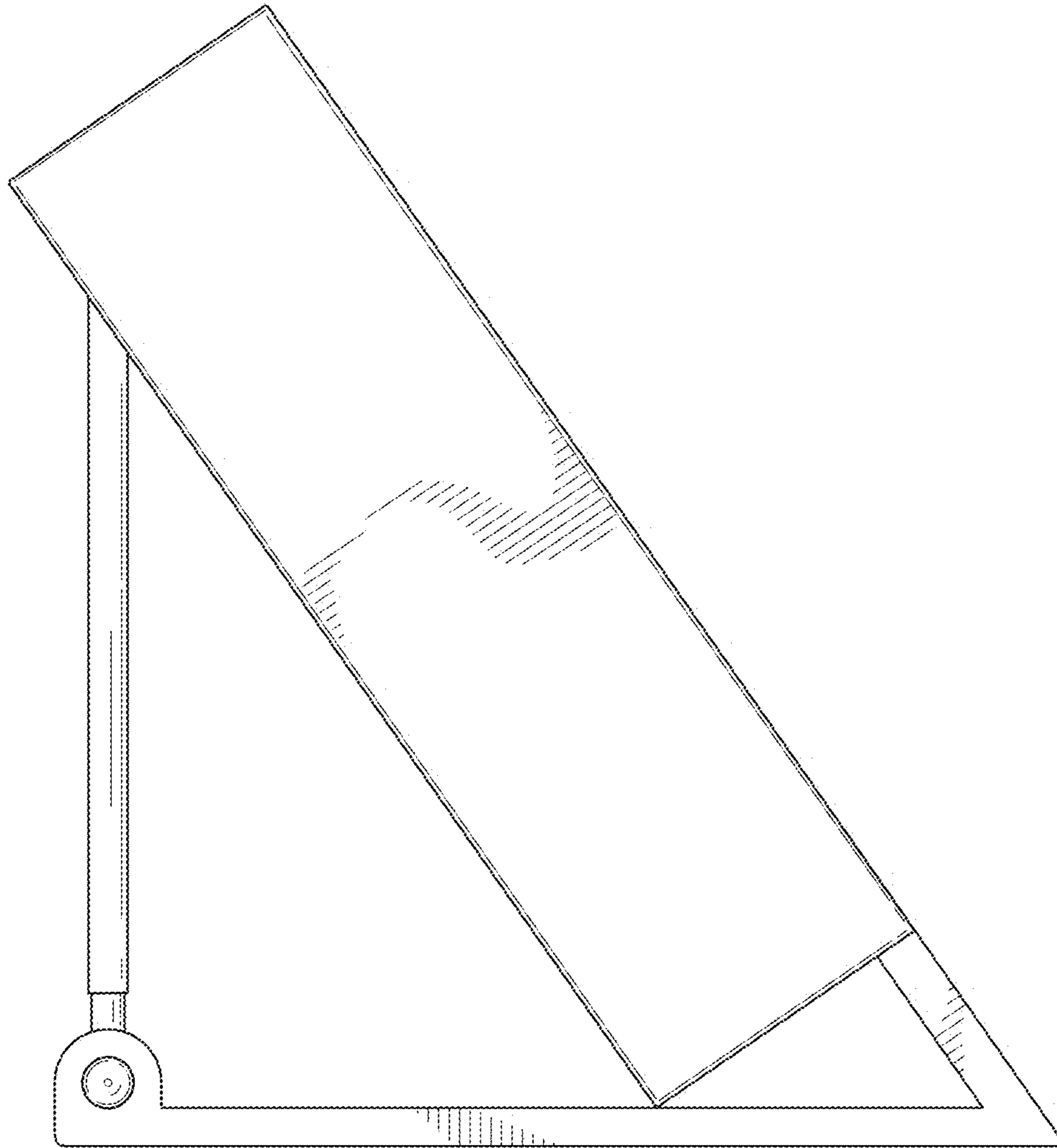


FIG. 5

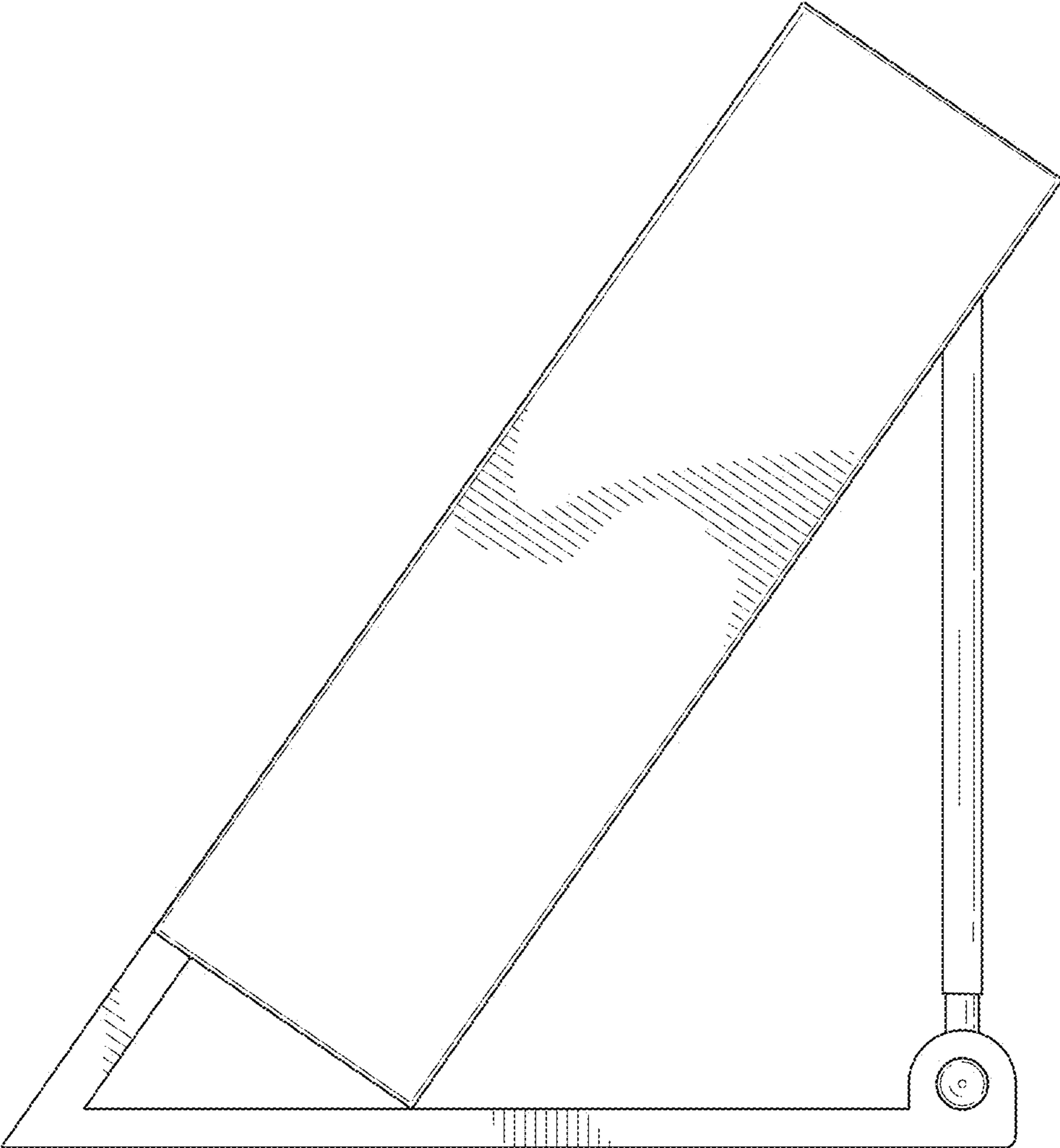


FIG. 6

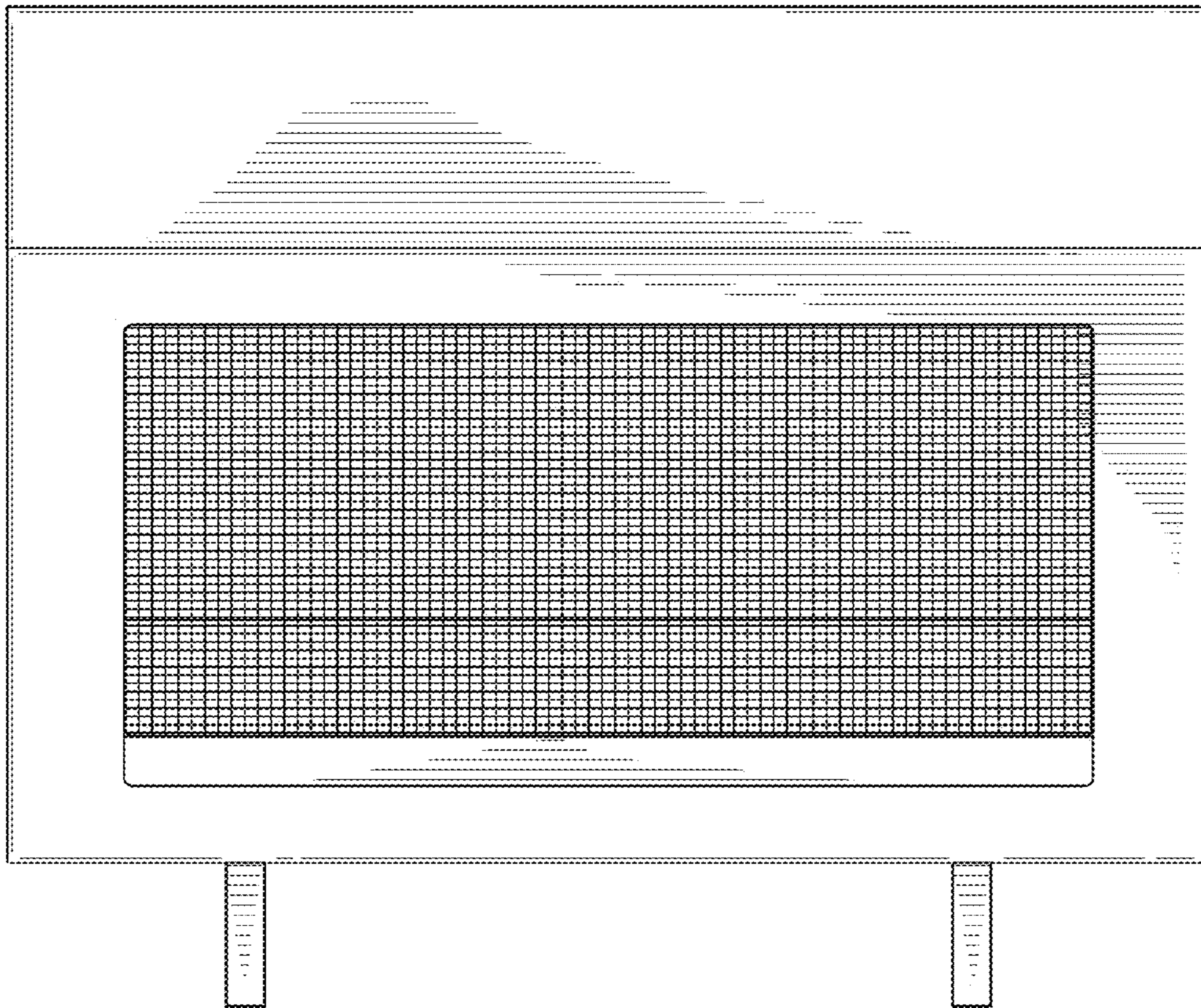


FIG. 7

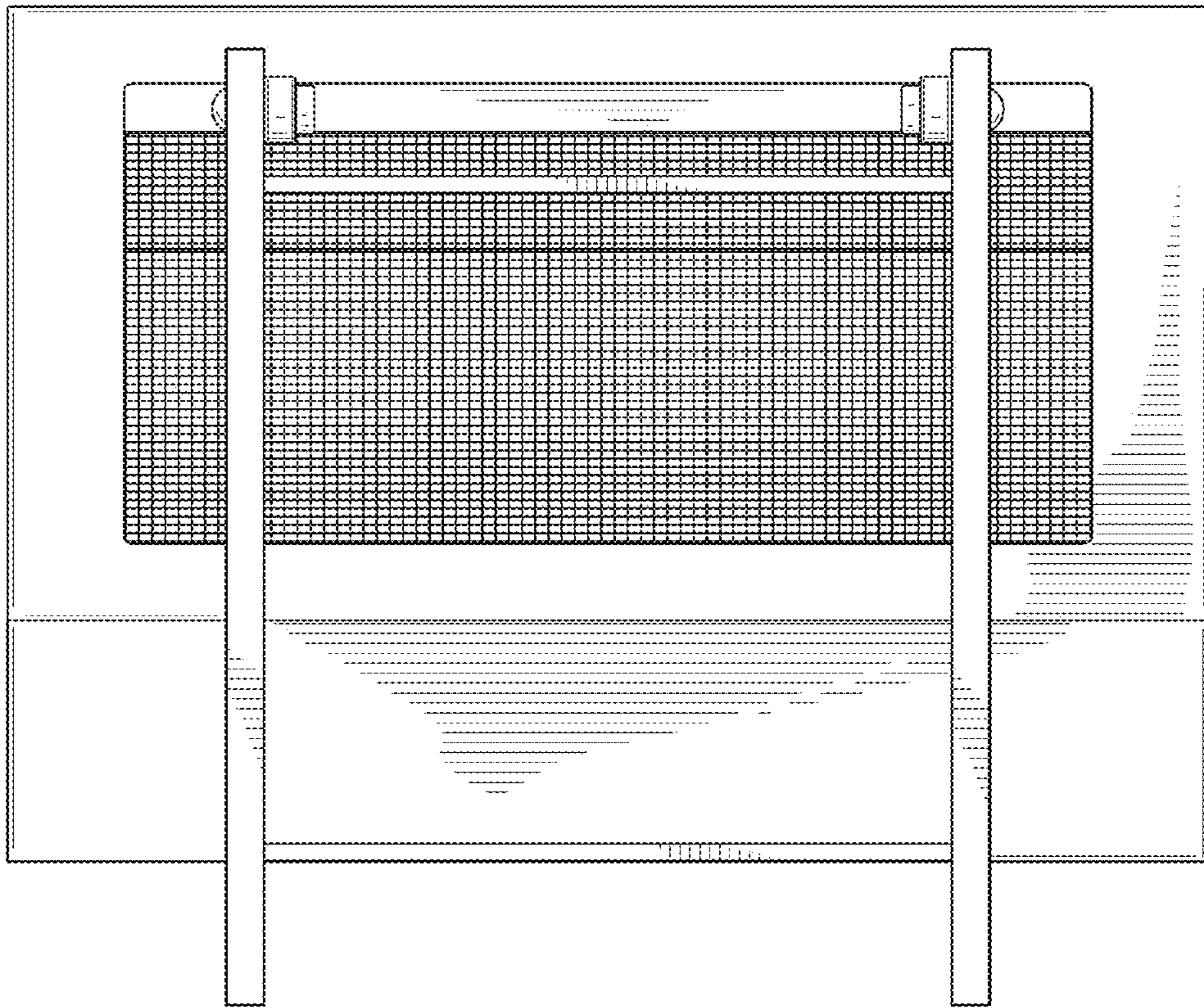


FIG. 8