



US00D688493S

(12) **United States Design Patent**
Woods

(10) **Patent No.:** **US D688,493 S**

(45) **Date of Patent:** **** Aug. 27, 2013**

(54) **CABINET WITH SLIDING DOOR**

(75) Inventor: **Donald Woods**, Celestine, IN (US)

(73) Assignee: **Kimball International, Inc.**, Jasper, IN (US)

(**) Term: **14 Years**

(21) Appl. No.: **29/423,128**

(22) Filed: **May 29, 2012**

(51) **LOC (9) Cl.** **06-04**

(52) **U.S. Cl.**
USPC **D6/661**

(58) **Field of Classification Search**
USPC D6/300, 309, 396, 436-439, 444-448,
D6/460-468, 470-479, 491-495, 509-511,
D6/559, 561, 657, 660-662, 662.1, 671, 671.1-671.3,
D6/672-675, 675.1, 678.4, 699, 705.52;
D7/403; D8/314; 211/42-50, 90.01, 133.1,
211/186-189; 312/50, 107-109, 117-119,
312/122, 194, 198, 204-209, 224-234, 242,
312/245, 278-279; 362/126
See application file for complete search history.

(56) **References Cited**

U.S. PATENT DOCUMENTS

845,652	A *	2/1907	La Berge	362/126
D126,207	S *	4/1941	Johnston et al.	D6/470
D166,862	S	5/1952	Mason		
D197,502	S *	2/1964	Elliott	D6/561
D203,385	S	1/1966	Hinrichs		
D236,779	S *	9/1975	Nowak	D6/561
D241,213	S *	8/1976	Montague	D6/436
D250,868	S *	1/1979	Ornatek	D6/445
D300,487	S *	4/1989	Dyer	D6/446
D306,669	S *	3/1990	Otema	D6/470
D334,852	S *	4/1993	Beirise	D6/436
D336,392	S *	6/1993	Whalen	D6/446

D372,604	S *	8/1996	Frederiks	D6/432
D410,818	S *	6/1999	Best	D7/403
D445,280	S *	7/2001	Staar	D6/446
D477,474	S *	7/2003	Milligan	D6/446
D478,436	S *	8/2003	Milligan	D6/470
D481,558	S *	11/2003	Milligan	D6/470
D553,387	S *	10/2007	Soressi	D6/444
D553,879	S *	10/2007	Juneau	D6/436
D560,929	S *	2/2008	Woodward et al.	D6/446
D562,597	S *	2/2008	Weatherly	D6/479
D587,494	S *	3/2009	Cramer	D6/470

(Continued)

Primary Examiner — Ricky Pham

(74) *Attorney, Agent, or Firm* — Faegre Baker Daniels LLP

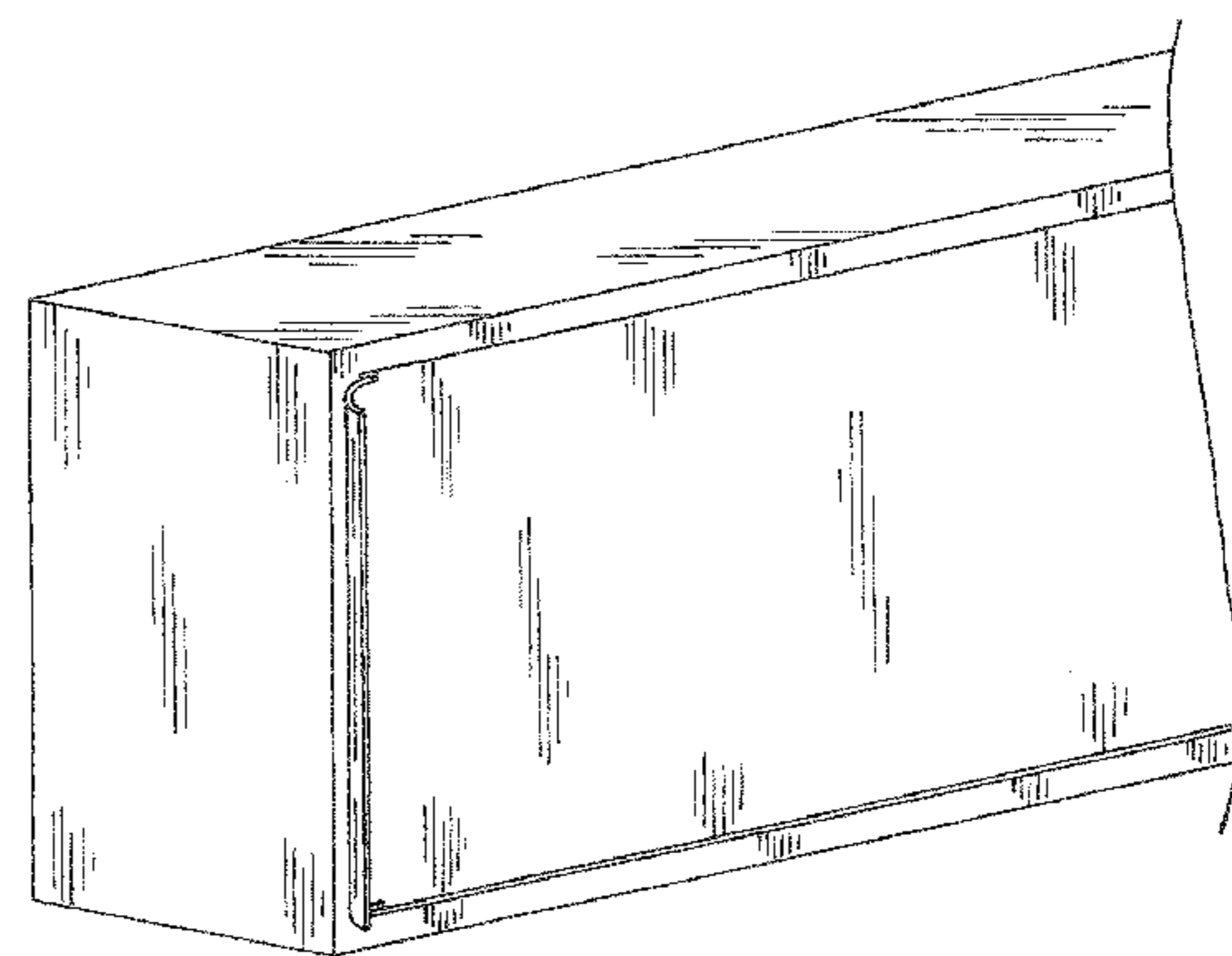
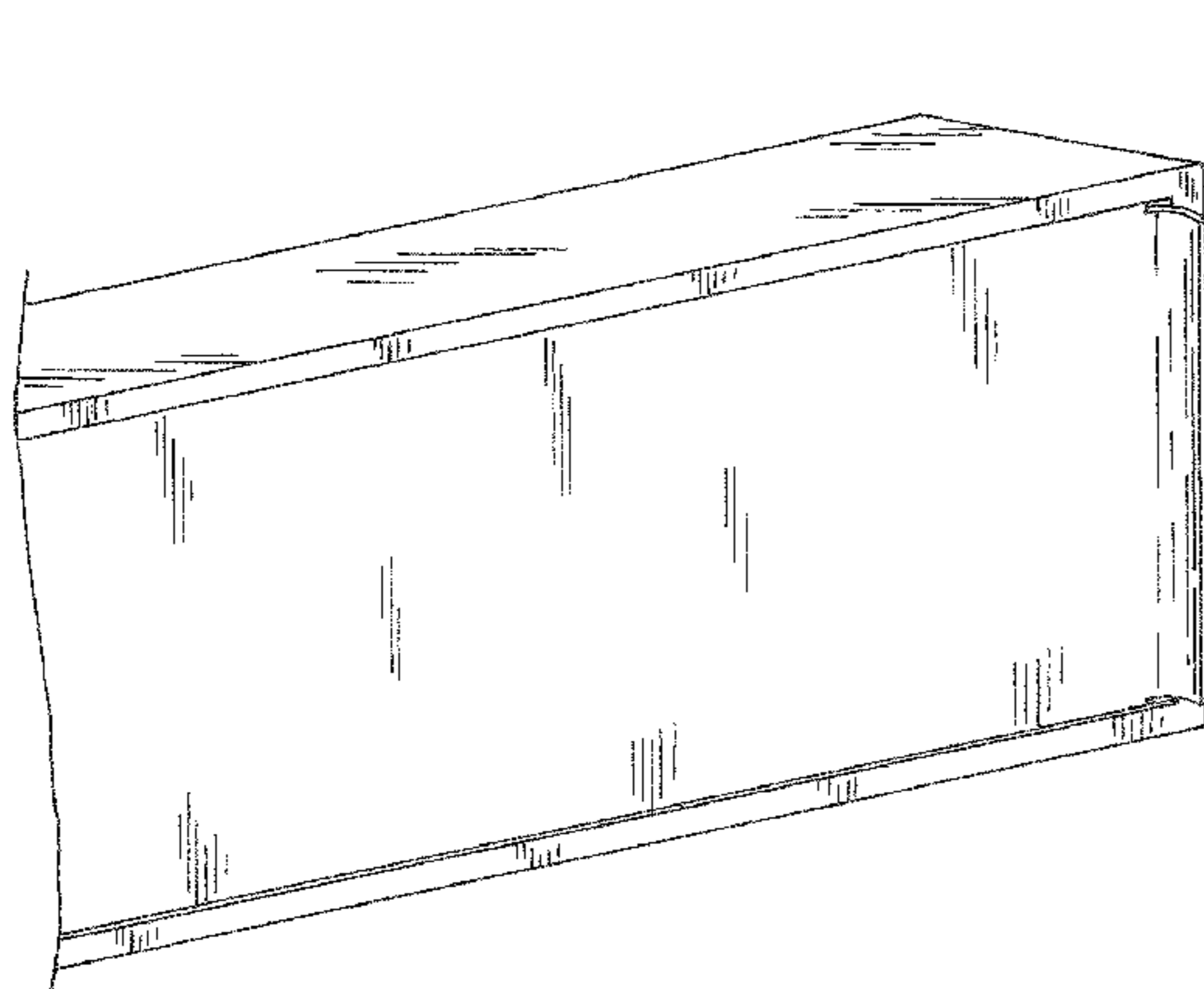
(57) **CLAIM**

The ornamental design for a cabinet with sliding door, as shown and described.

DESCRIPTION

FIG. 1 is a front perspective view of a cabinet with a sliding door according to a first embodiment of my new design; FIG. 2 is a front view thereof; FIG. 3 is a side view thereof; and FIG. 4 is a top view thereof. FIG. 5 is a front perspective view of a cabinet with a sliding door according to a first embodiment of my new design; FIG. 6 is a front view thereof; FIG. 7 is a side view thereof; and FIG. 8 is a top view thereof. FIG. 9 is a front perspective view of a cabinet with a sliding door according to a first embodiment of my new design; FIG. 10 is a front view thereof; FIG. 11 is a side view thereof; and, FIG. 12 is a top view thereof. The vertical break lines indicate that the width of the cabinet may vary.

1 Claim, 6 Drawing Sheets



US D688,493 S

Page 2

(56)

References Cited

U.S. PATENT DOCUMENTS

D595,560 S * 7/2009 Miska D8/314
D599,577 S * 9/2009 Lara D6/436

D620,779 S 8/2010 Kunnath et al.
D622,976 S * 9/2010 Lovegrove D6/446
D655,946 S * 3/2012 Sexton D6/470
D668,475 S * 10/2012 Zambelli D6/470

* cited by examiner

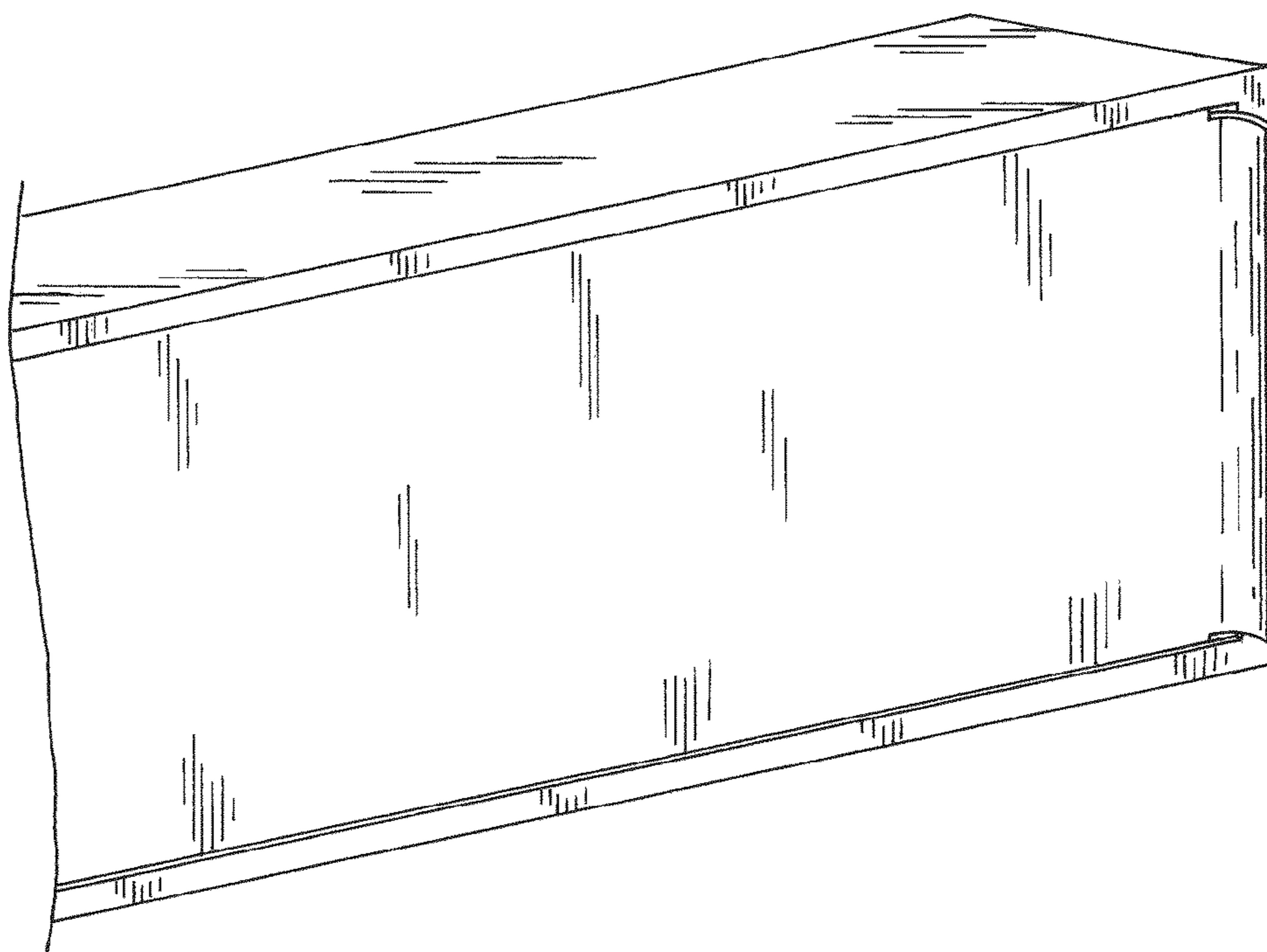


FIG. 1

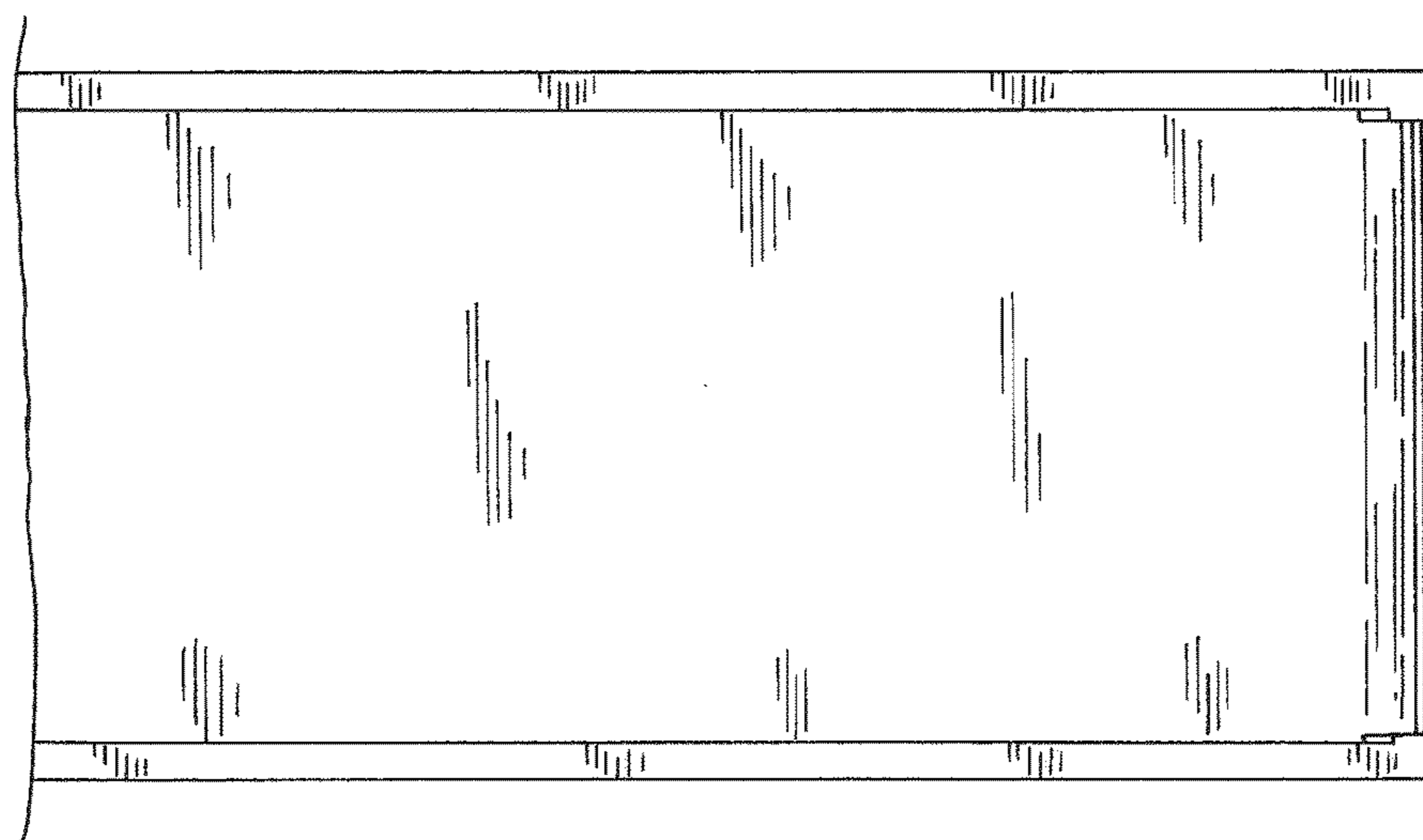


FIG. 2

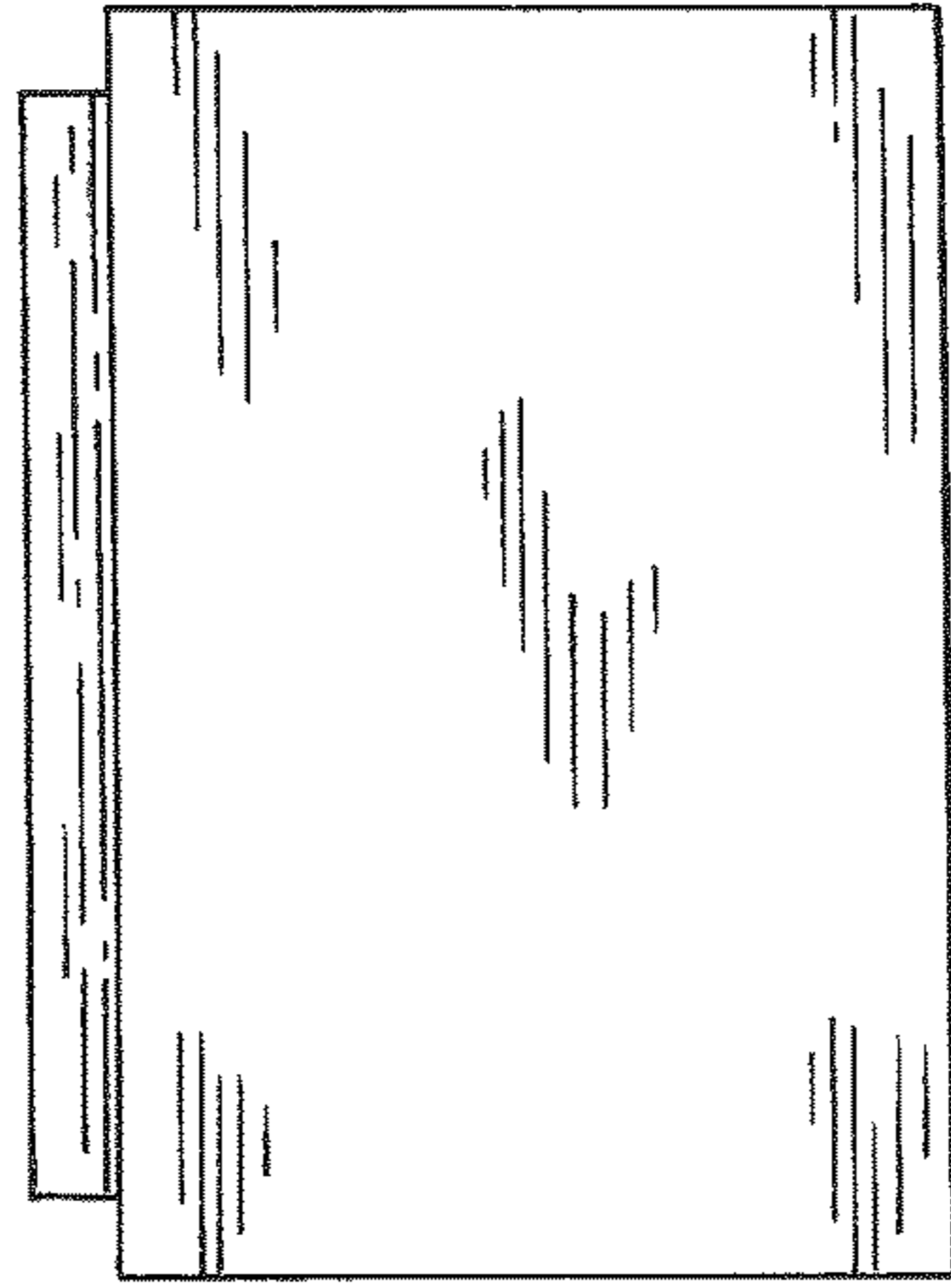


FIG. 3

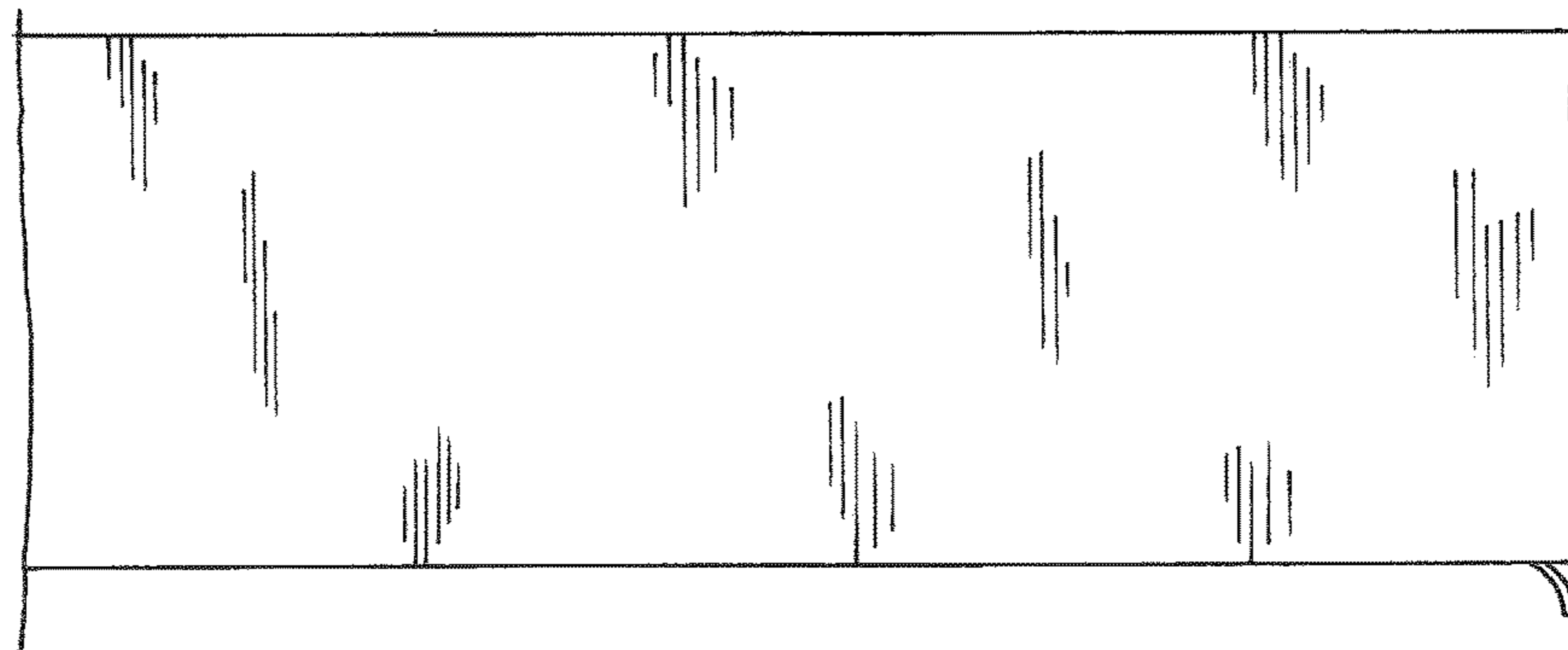


FIG. 4

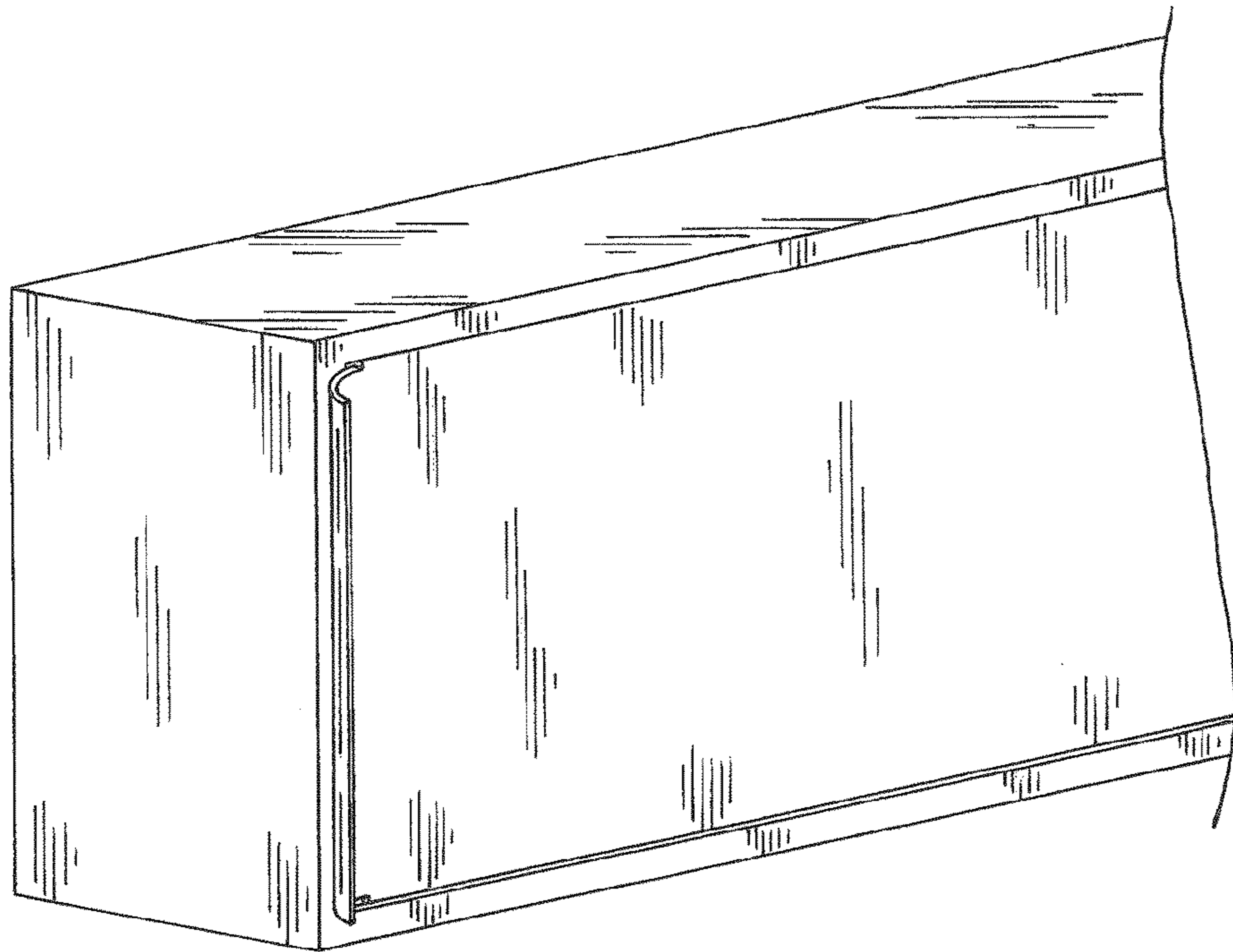


FIG. 5

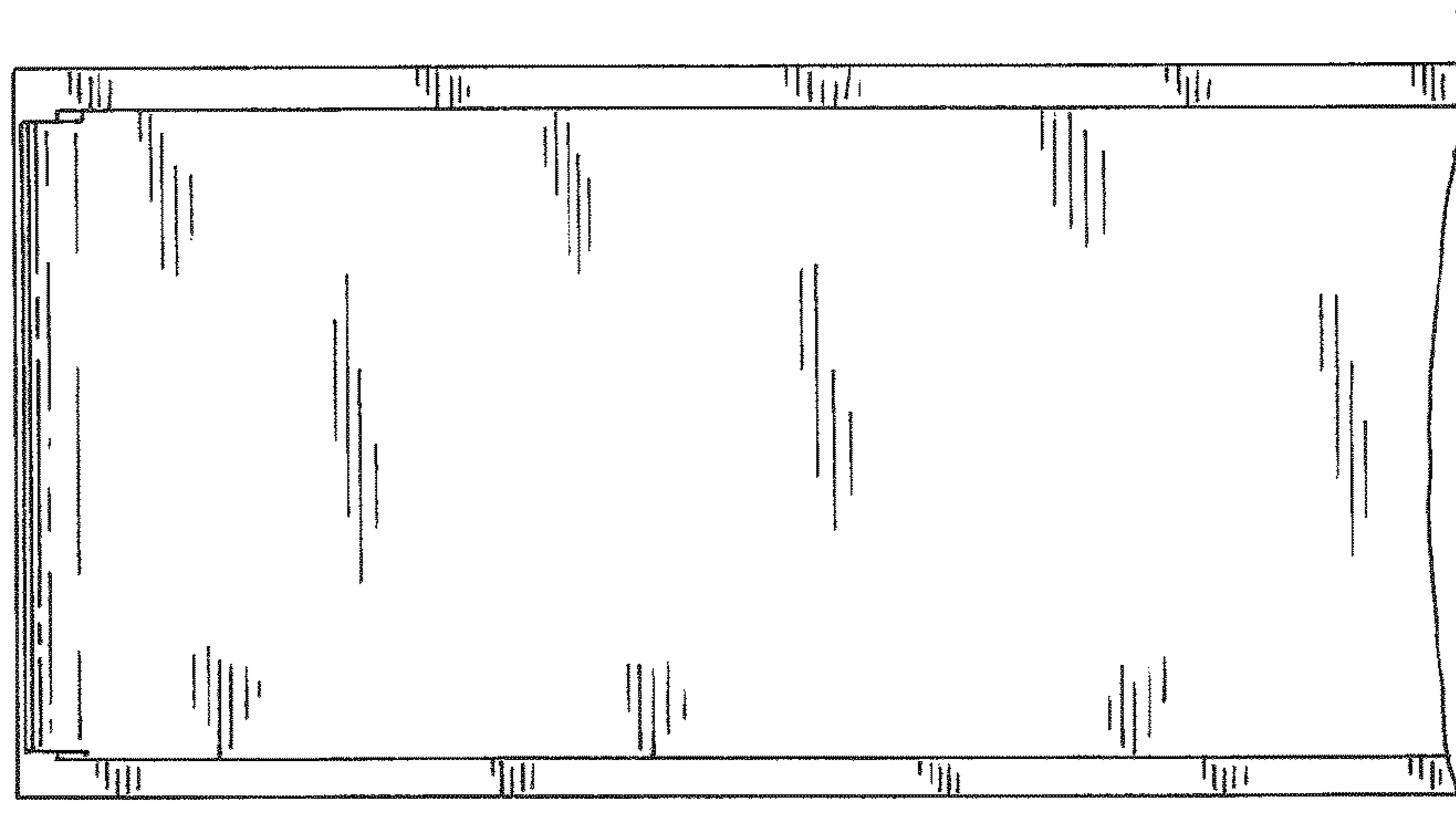


FIG. 6

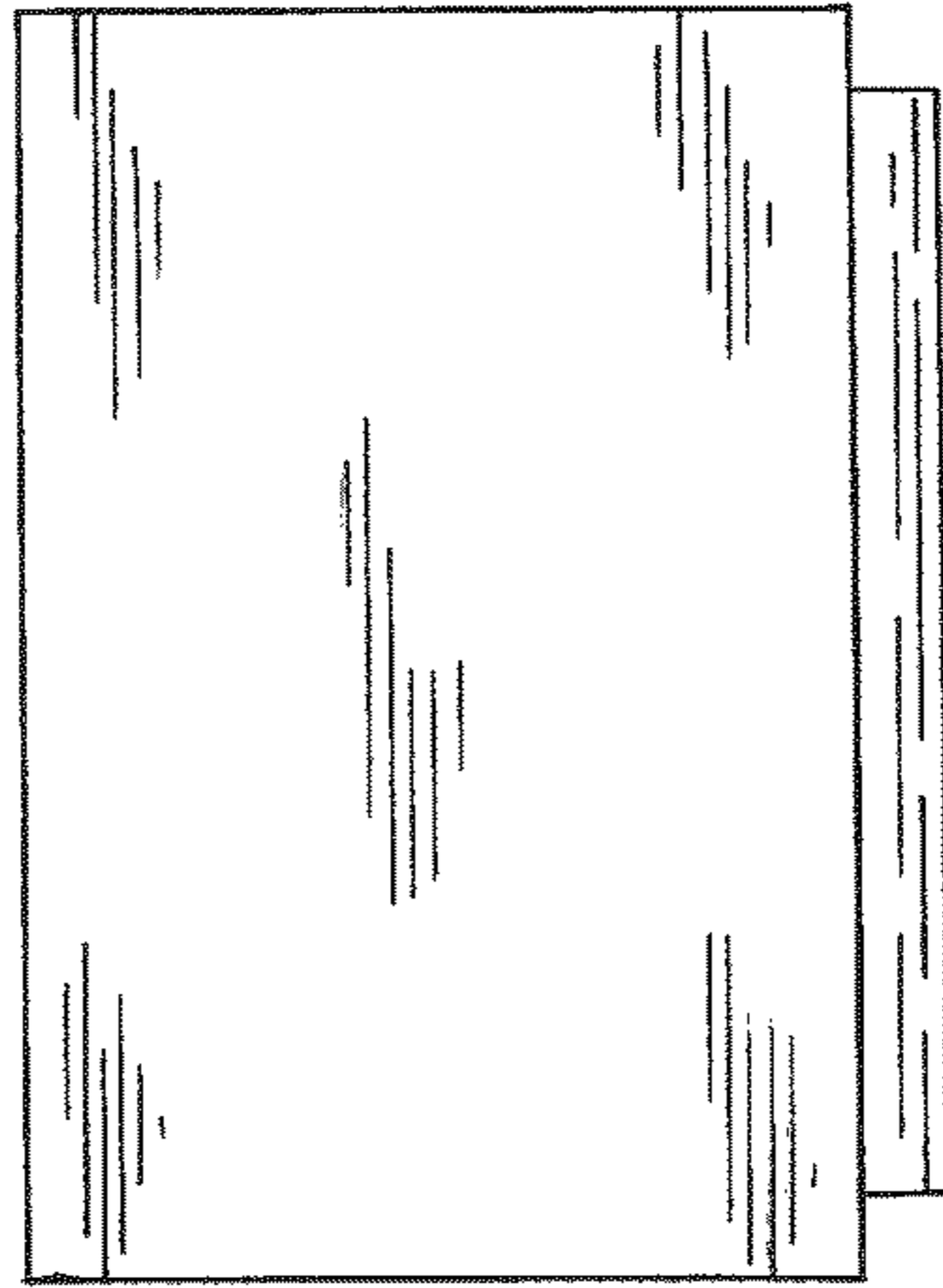


FIG. 7

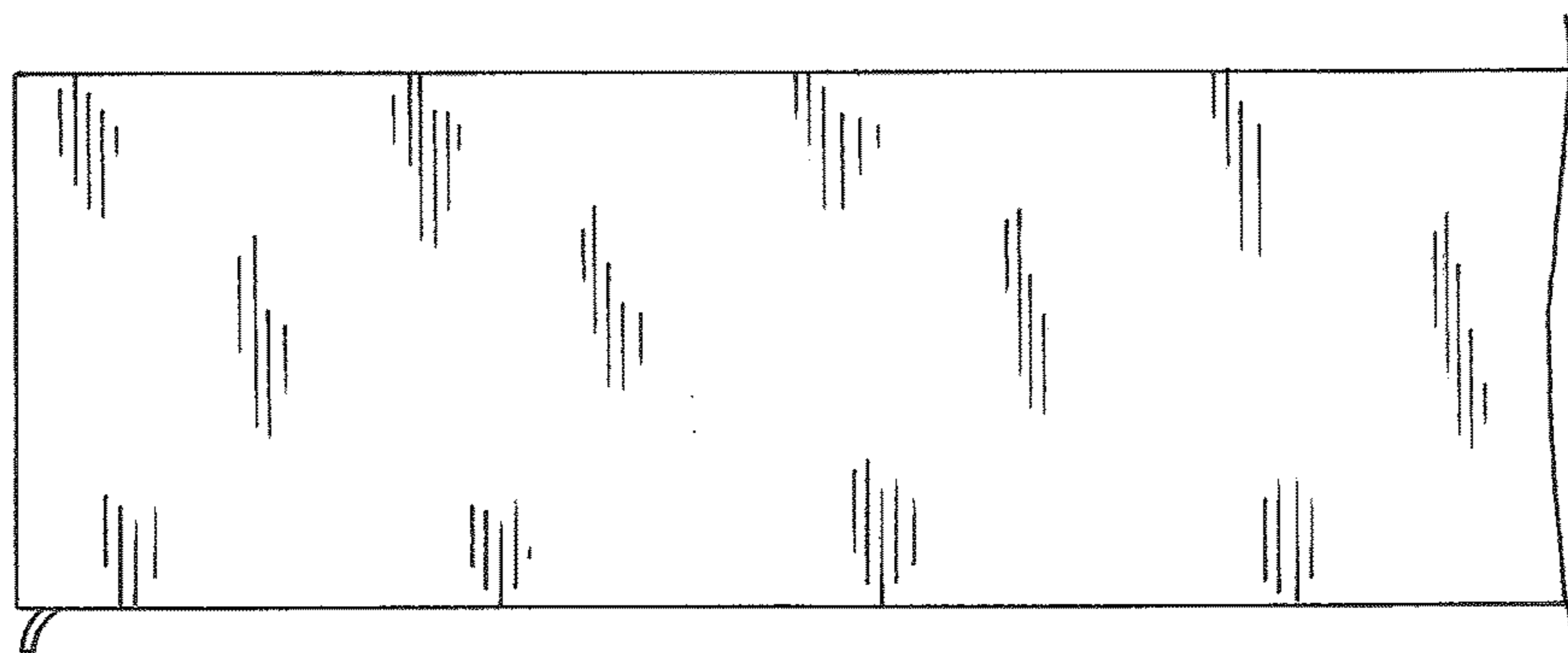


FIG. 8

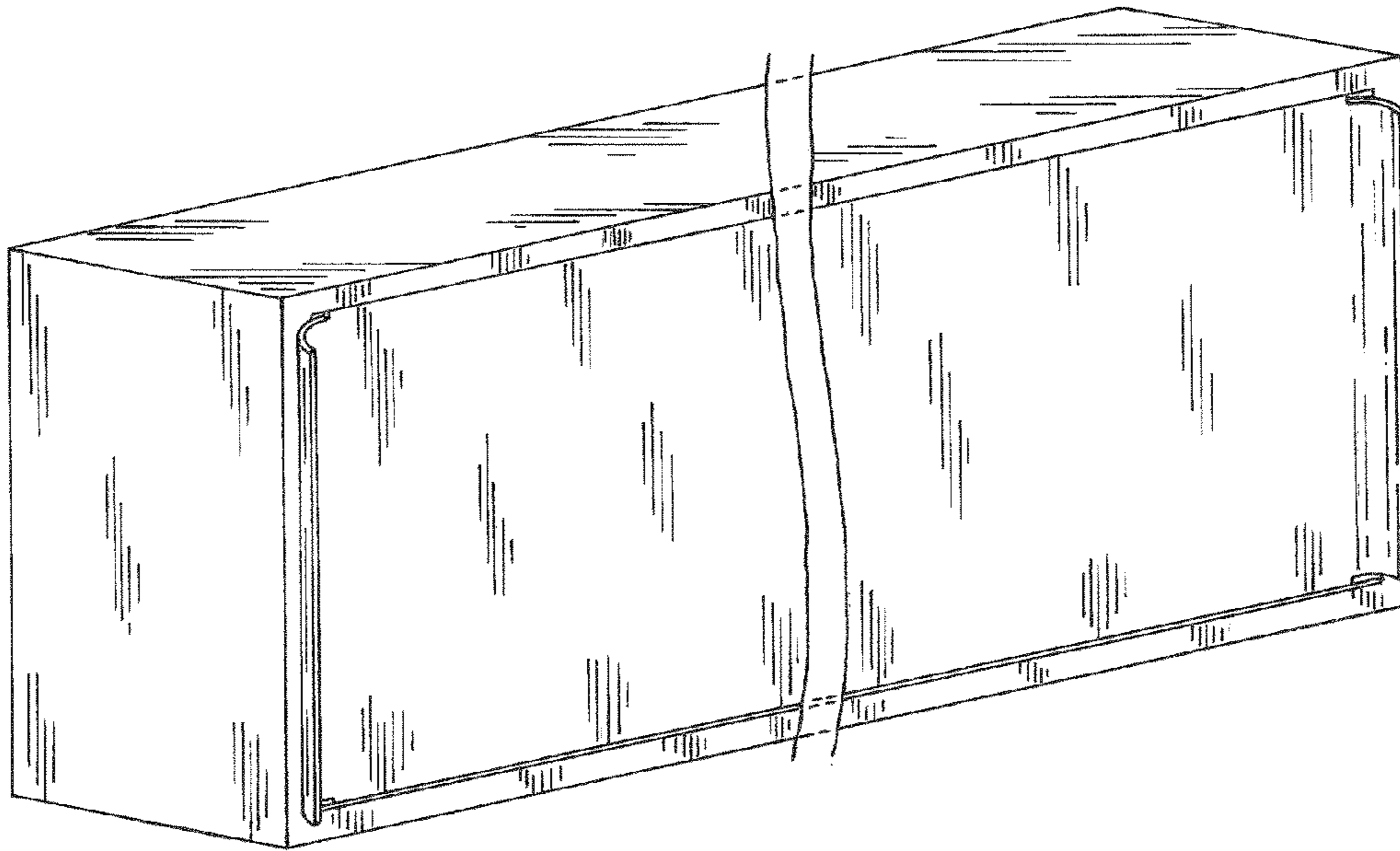


FIG. 9

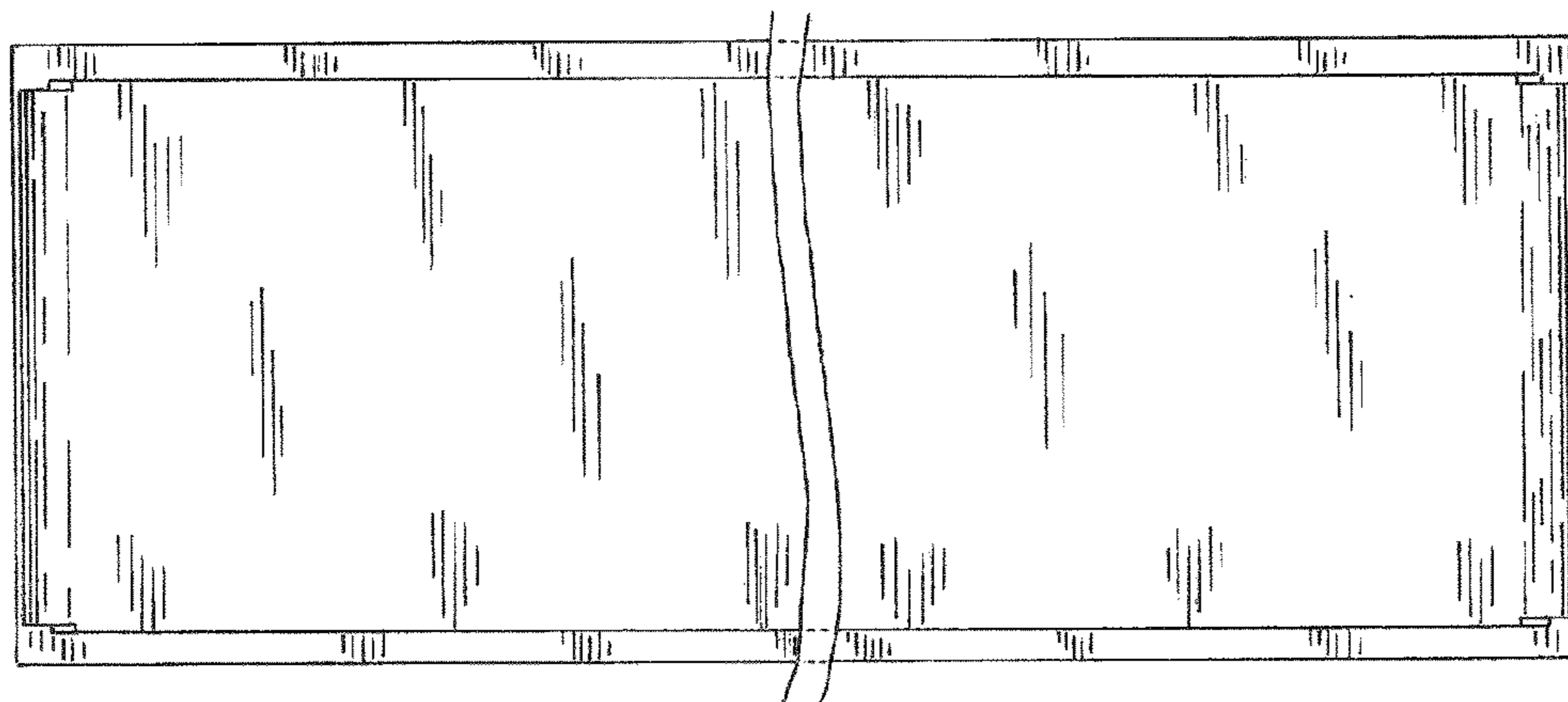


FIG. 10

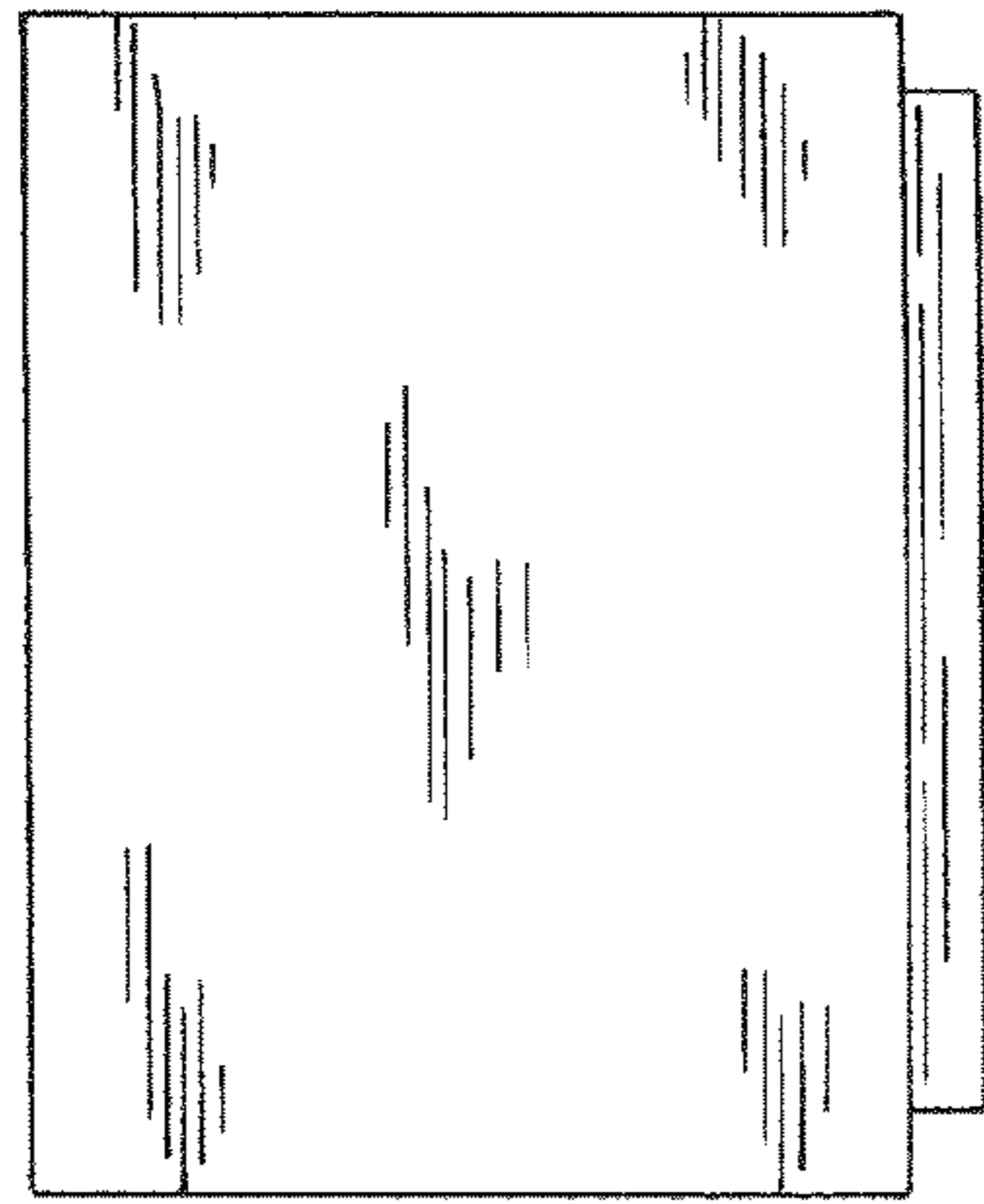


FIG. 11

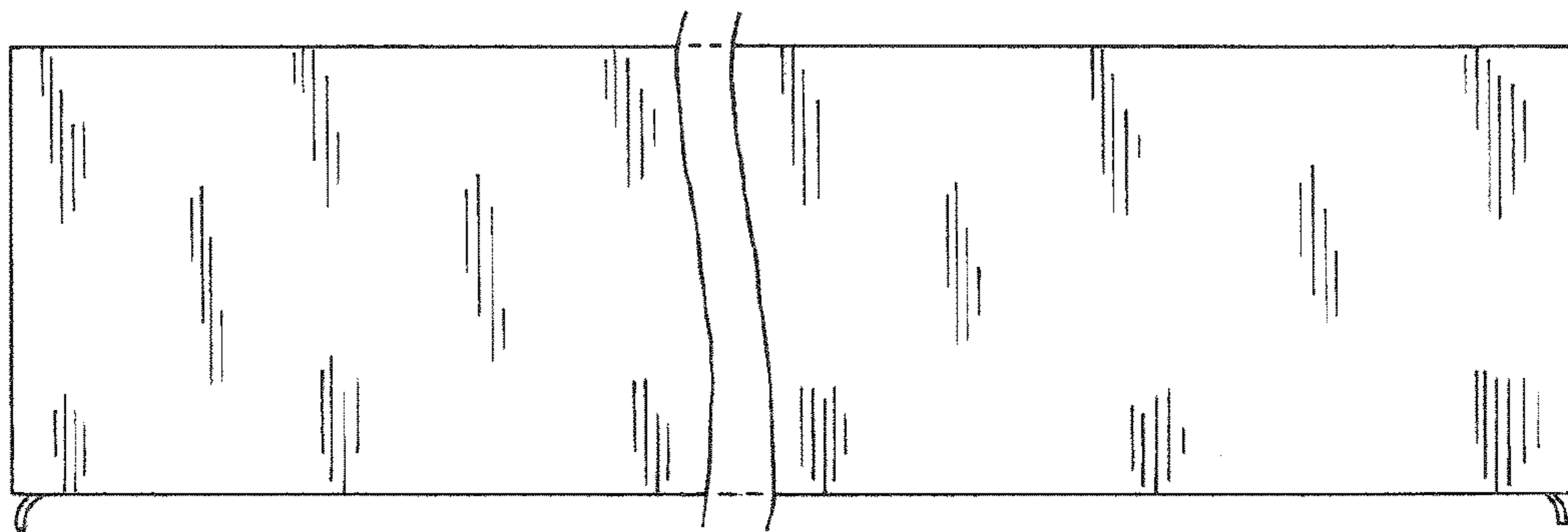


FIG. 12