



US00D688490S

(12) **United States Design Patent**  
**Pepe**

(10) **Patent No.:** **US D688,490 S**

(45) **Date of Patent:** **\*\* Aug. 27, 2013**

(54) **LACROSSE STICK RACK**

(71) Applicant: **Edward Joseph Pepe**, Cumming, GA  
(US)

(72) Inventor: **Edward Joseph Pepe**, Cumming, GA  
(US)

(73) Assignee: **Edward J. Pepe**, Cumming, GA (US)

(\*\*) Term: **14 Years**

(21) Appl. No.: **29/435,526**

(22) Filed: **Oct. 24, 2012**

(51) **LOC (9) Cl.** ..... **08-08**

(52) **U.S. Cl.**  
USPC ..... **D6/552**

(58) **Field of Classification Search**  
USPC ..... D6/552, 553, 567, 396; D22/109;  
211/13.1, 60.1, 64, 70.2, 70.6, 70.8; 248/512,  
248/520, 538; 43/21.2

See application file for complete search history.

(56) **References Cited**

U.S. PATENT DOCUMENTS

D498,962 S	*	11/2004	Moon et al. ....	D6/552
D555,961 S	*	11/2007	Lien et al. ....	D6/552
D587,051 S	*	2/2009	Vining ....	D6/552
D677,091 S	*	3/2013	Monro ....	D6/552

\* cited by examiner

*Primary Examiner* — Brian N Vinson

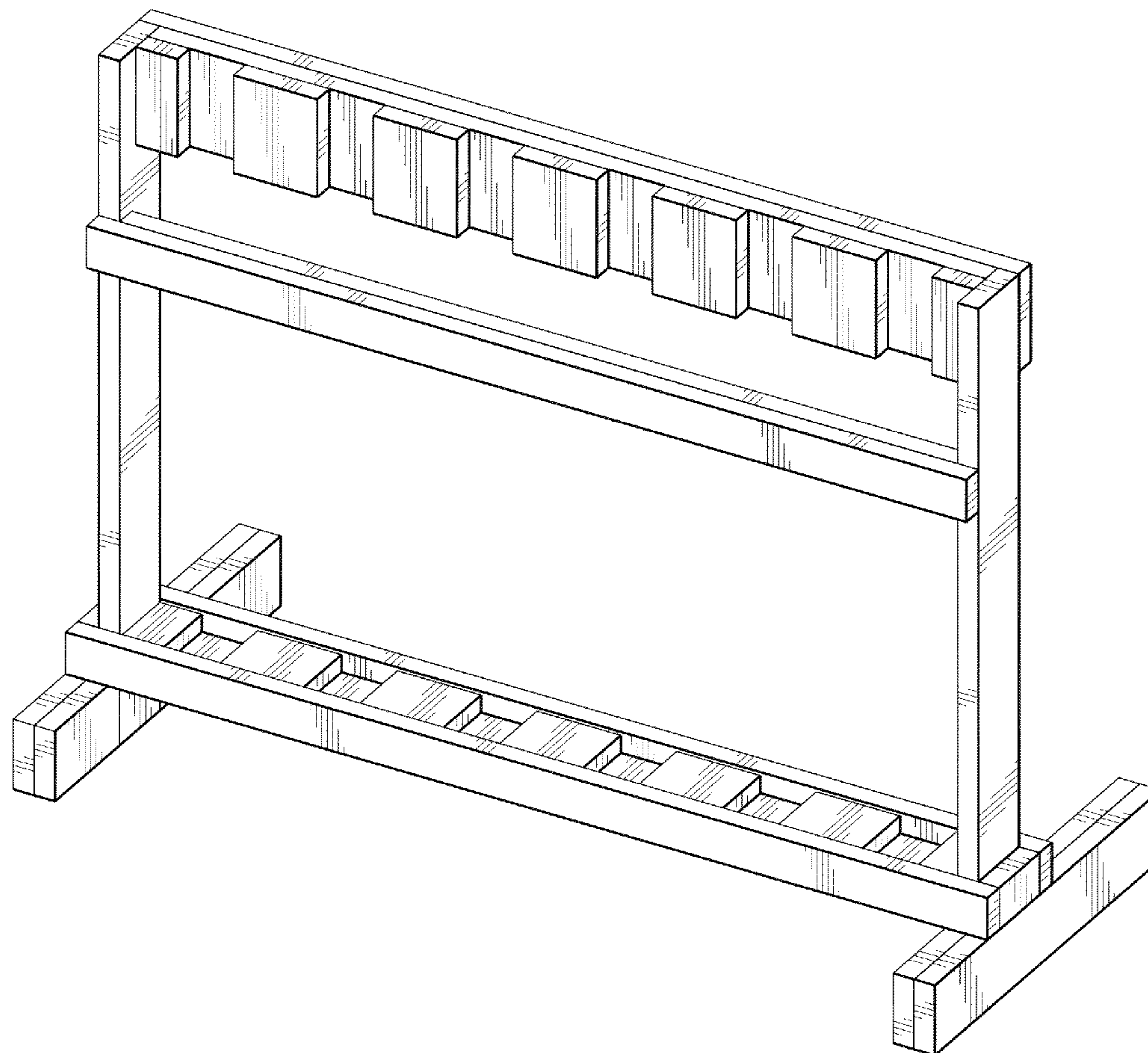
(57) **CLAIM**

The ornamental design for a lacrosse stick rack, as shown.

**DESCRIPTION**

FIG. 1 is a perspective view of a lacrosse stick rack showing my new design;  
FIG. 2 is a front elevational view thereof;  
FIG. 3 is a side elevational view, the opposite side being a mirror image thereof;  
FIG. 4 is a rear elevational view thereof;  
FIG. 5 is a top view thereof; and,  
FIG. 6 is a bottom view thereof.

**1 Claim, 5 Drawing Sheets**



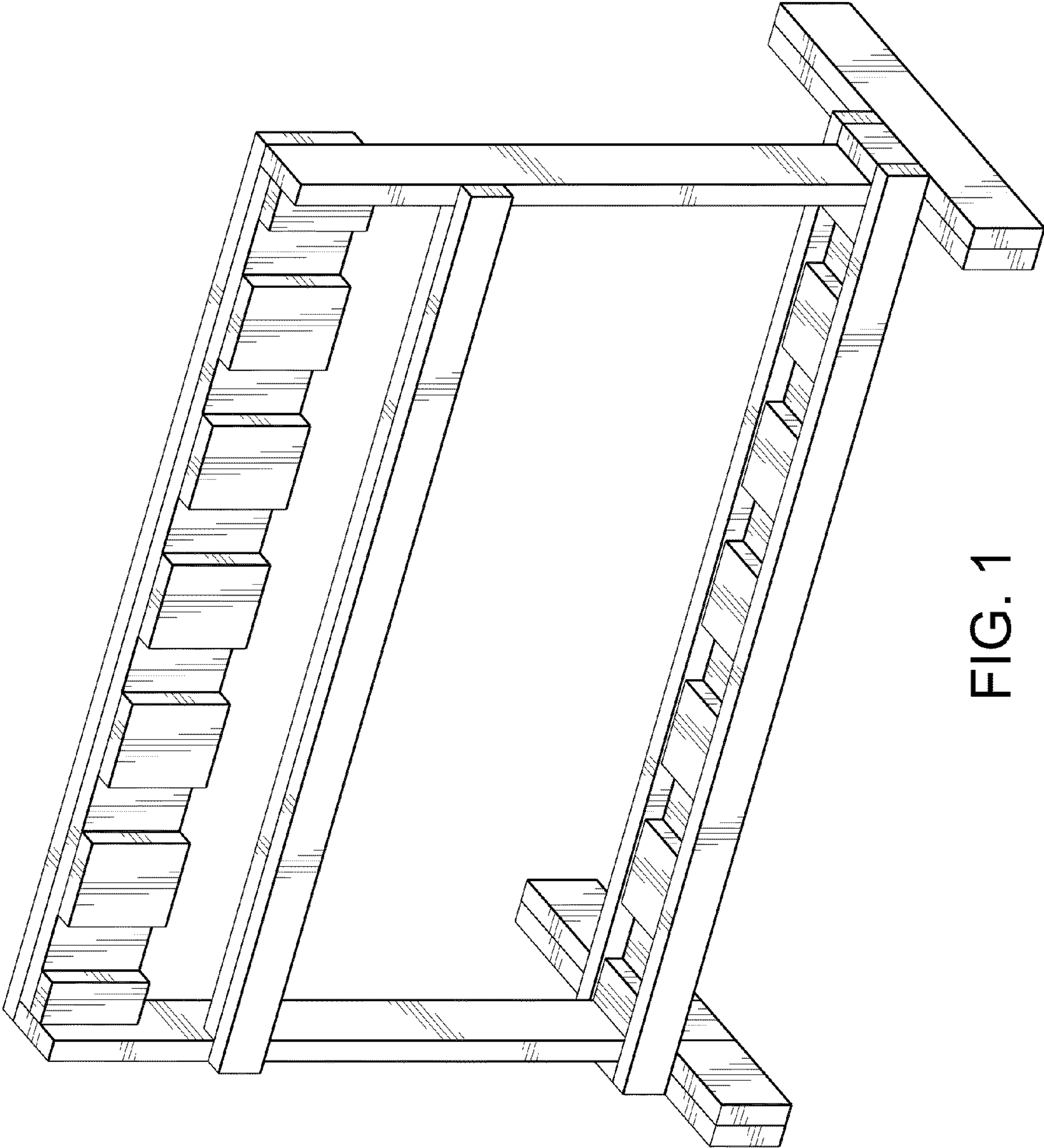


FIG. 1

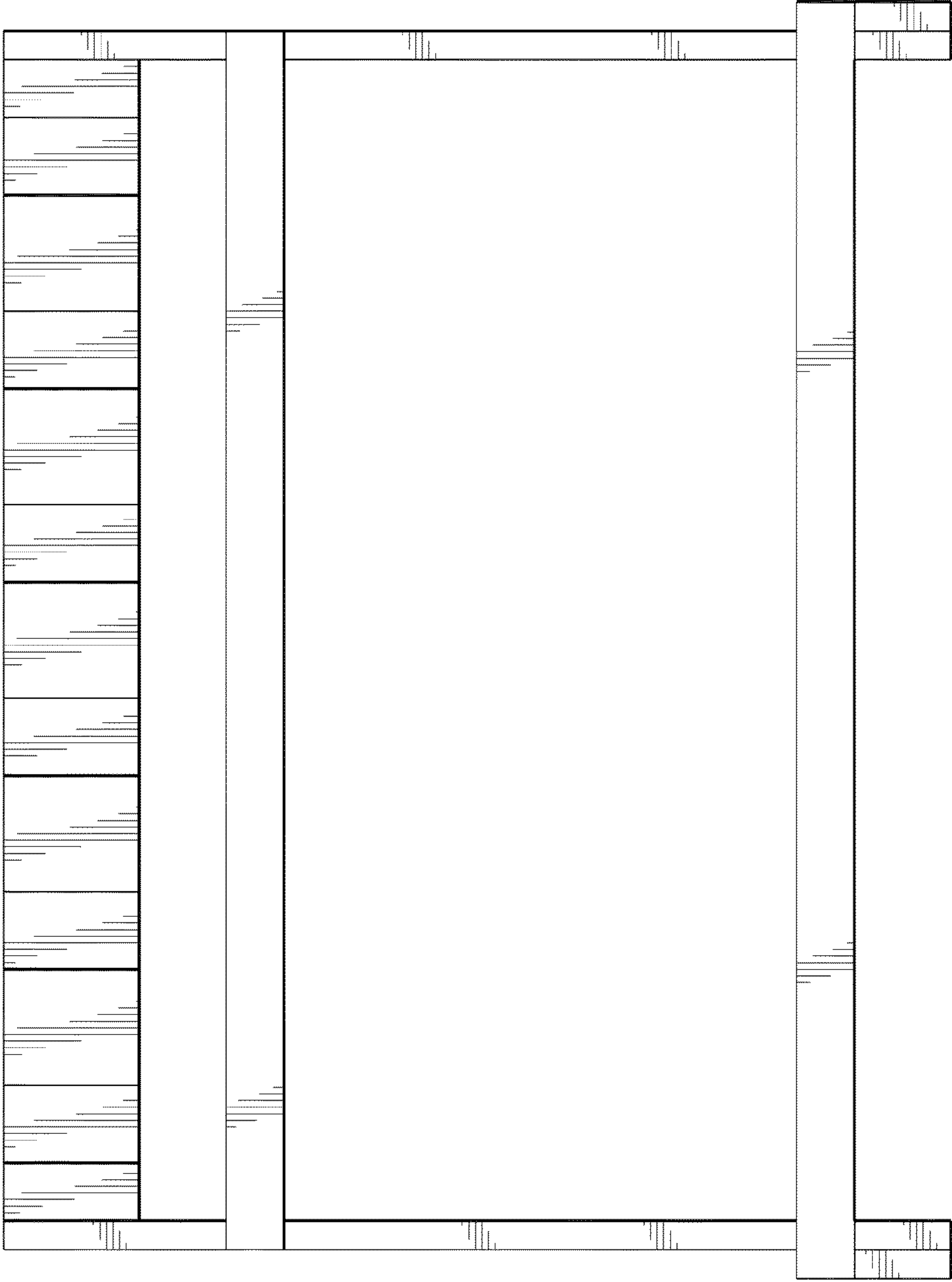


FIG. 2

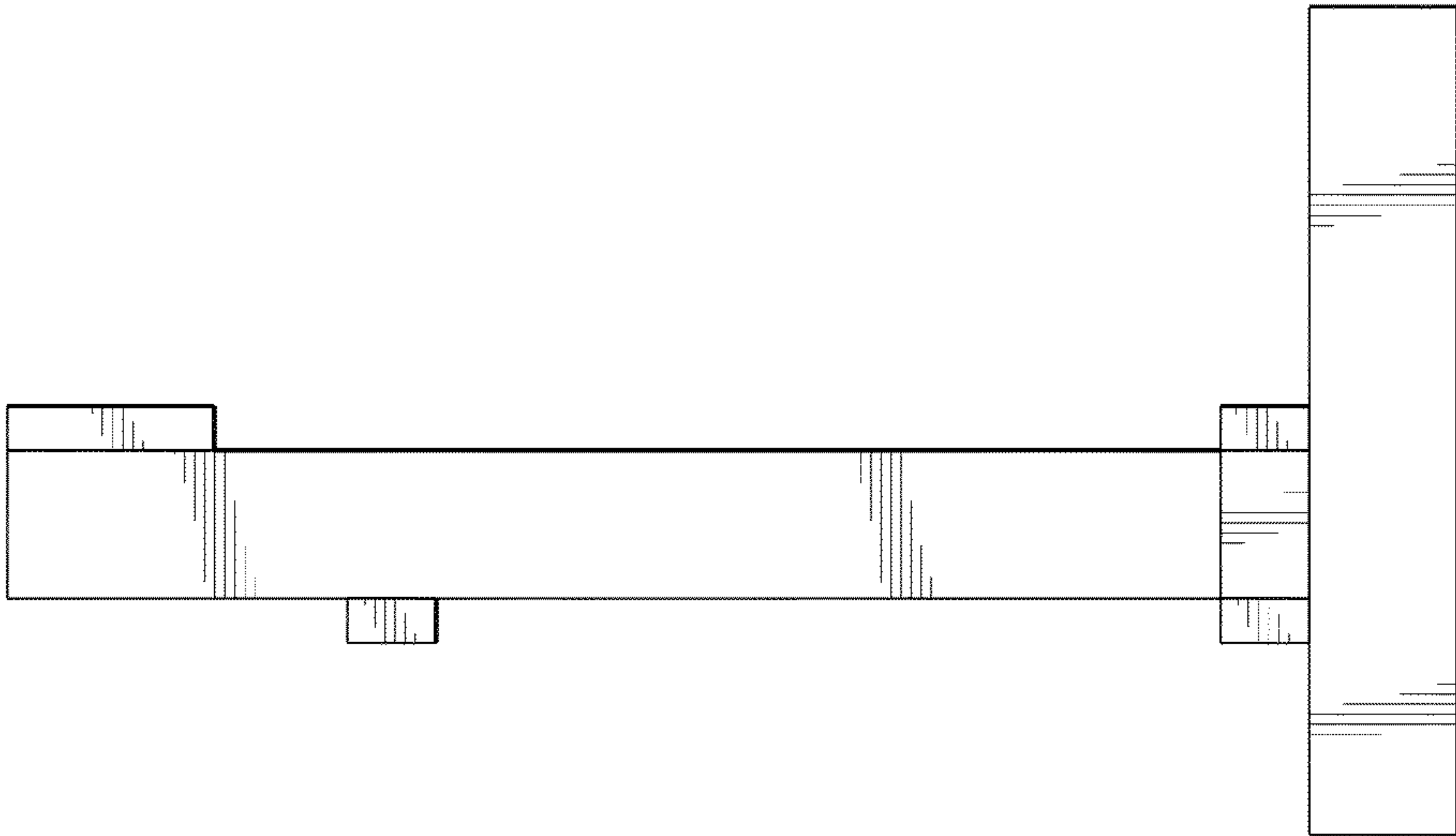


FIG. 3

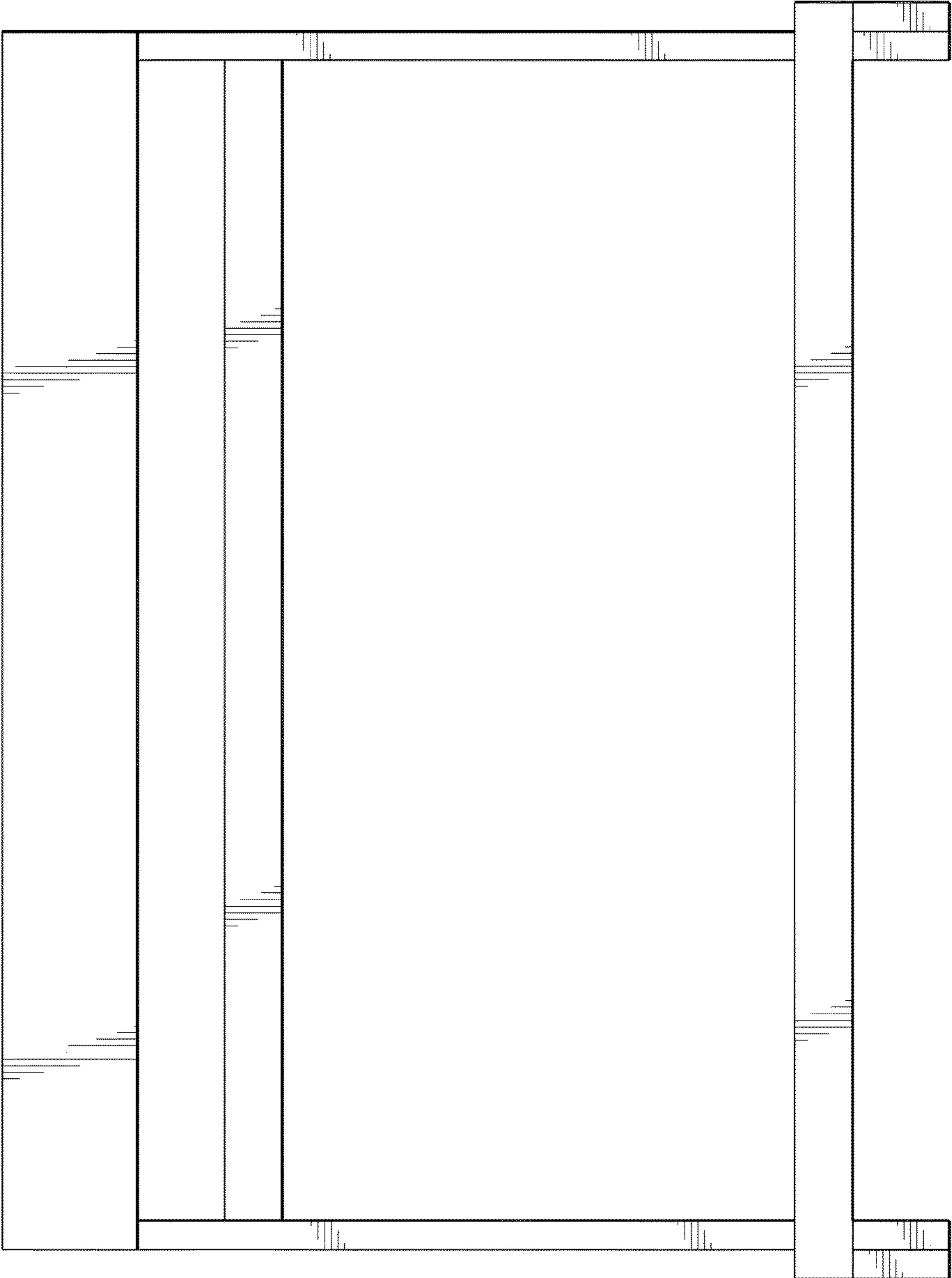


FIG. 4

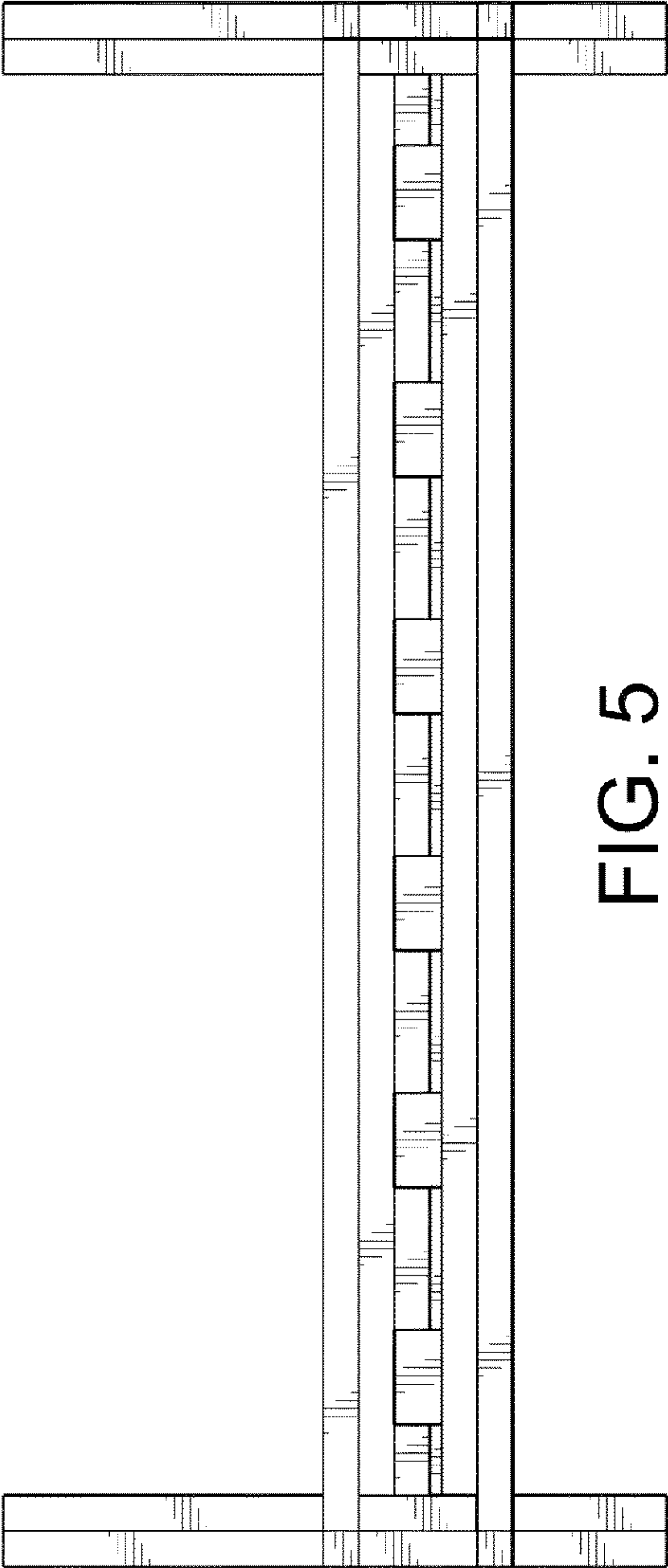


FIG. 5

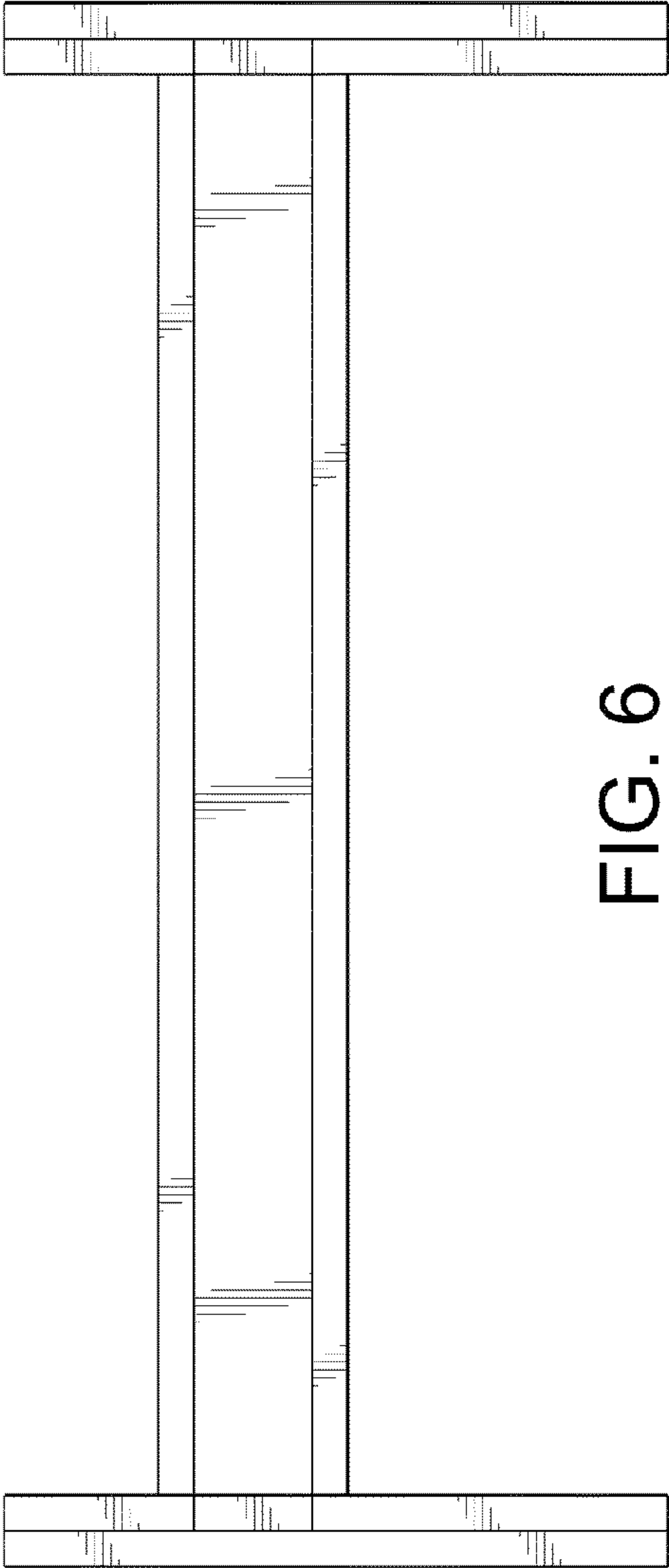


FIG. 6