



US00D688482S

(12) **United States Design Patent**
Choi

(10) **Patent No.:** **US D688,482 S**

(45) **Date of Patent:** **** Aug. 27, 2013**

(54) **OFFICE CHAIR**

(75) Inventor: **Myong Kyu Choi**, Sungnam-Si (KR)

(73) Assignee: **Hyundai Metal Co., Ltd** (KR)

(**) Term: **14 Years**

(21) Appl. No.: **29/404,566**

(22) Filed: **Oct. 21, 2011**

Related U.S. Application Data

(62) Division of application No. 29/346,874, filed on Nov. 6, 2009.

(51) **LOC (9) Cl.** **06-01**

(52) **U.S. Cl.**
USPC **D6/366**

(58) **Field of Classification Search**
USPC D6/334–336, 360–369, 374, 379–380,
D6/498, 500–502; 297/284.4, 411.27, 452.13,
297/452.19, 452.21, 452.29, 452.3, 452.56,
297/452.64

See application file for complete search history.

(56) **References Cited**

U.S. PATENT DOCUMENTS

D296,624 S *	7/1988	Bellini	D6/366
D311,286 S *	10/1990	Muller-Deisig et al.	D6/366
D312,536 S *	12/1990	Muller-Deisig et al.	D6/366
D322,363 S *	12/1991	Narita	D6/366
D346,909 S *	5/1994	Obata et al.	D6/366
5,318,345 A *	6/1994	Olson	297/300.5
D383,323 S *	9/1997	Dammermann et al.	D6/366
D410,342 S *	6/1999	Dammermann et al.	D6/366
D411,692 S *	6/1999	Ogg	D6/366
D420,538 S *	2/2000	Arko et al.	D6/500
D436,260 S *	1/2001	Nagamitsu	D6/366
D444,309 S *	7/2001	Nagamitsu	D6/366
D457,023 S *	5/2002	Ball et al.	D6/502
D459,903 S *	7/2002	Lo	D6/366

D468,122 S *	1/2003	Schweikarth et al.	D6/366
D509,969 S *	9/2005	Loew et al.	D6/366
D514,339 S *	2/2006	Glass et al.	D6/366
D517,820 S *	3/2006	Citterio	D6/366
D535,112 S *	1/2007	Bernett et al.	D6/366
D536,890 S *	2/2007	Loew et al.	D6/366
D543,041 S *	5/2007	Hara	D6/366
D545,076 S *	6/2007	Dallmann et al.	D6/366
D546,086 S *	7/2007	Chen	D6/366
D549,977 S *	9/2007	Koepke et al.	D6/366
D553,376 S *	10/2007	Nakamura et al.	D6/366
D555,377 S *	11/2007	Pensi et al.	D6/366
D557,025 S *	12/2007	Chen	D6/366
D557,917 S *	12/2007	Nakamura et al.	D6/366
D563,687 S *	3/2008	Neil	D6/366
D583,581 S *	12/2008	Hara	D6/366
D595,971 S *	7/2009	Ueda	D6/366
D607,653 S *	1/2010	Wilkinson et al.	D6/366
D608,557 S *	1/2010	Maeyama	D6/366
D609,021 S *	2/2010	Ooki et al.	D6/366

(Continued)

Primary Examiner — Kelley Donnelly

(74) *Attorney, Agent, or Firm* — John K. Park; Park Law Firm

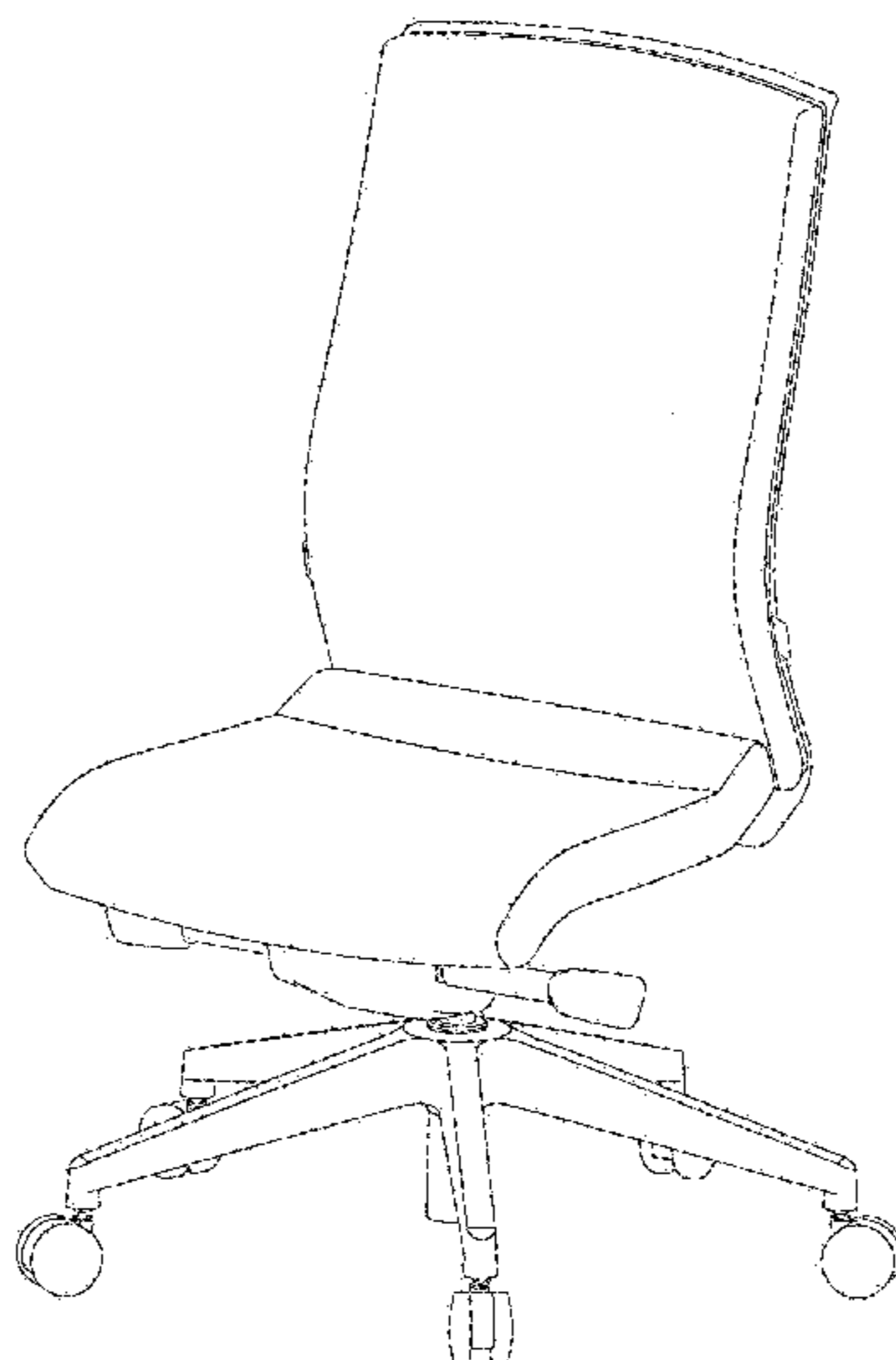
(57) **CLAIM**

The ornamental design for an office chair, as shown and described.

DESCRIPTION

FIG. 1 is a perspective view of an office chair showing my new design;
FIG. 2 is a front plan view thereof;
FIG. 3 is a rear plan view thereof;
FIG. 4 is a first side view thereof;
FIG. 5 is a second side view thereof;
FIG. 6 is a top plan view thereof; and,
FIG. 7 is a bottom plan view thereof.
The broken line showing of environment is for illustrative purposes only and forms no part of the claimed design.

1 Claim, 7 Drawing Sheets



(56)

References Cited

U.S. PATENT DOCUMENTS

D613,085 S * 4/2010 Fujita D6/366
D613,087 S * 4/2010 Fujita D6/366
D627,983 S * 11/2010 Wakasugi et al. D6/366
D652,646 S * 1/2012 Fujita D6/366
D652,647 S * 1/2012 Schaack D6/366

D653,044 S * 1/2012 Schaack D6/366
D653,045 S * 1/2012 Schaack D6/366
D654,280 S * 2/2012 Fujita D6/366
D656,329 S * 3/2012 Nakamura et al. D6/366
D666,841 S * 9/2012 Czumaj-Bront et al. D6/366
2005/0035638 A1 * 2/2005 Pennington et al. 297/300.2

* cited by examiner



Fig. 1

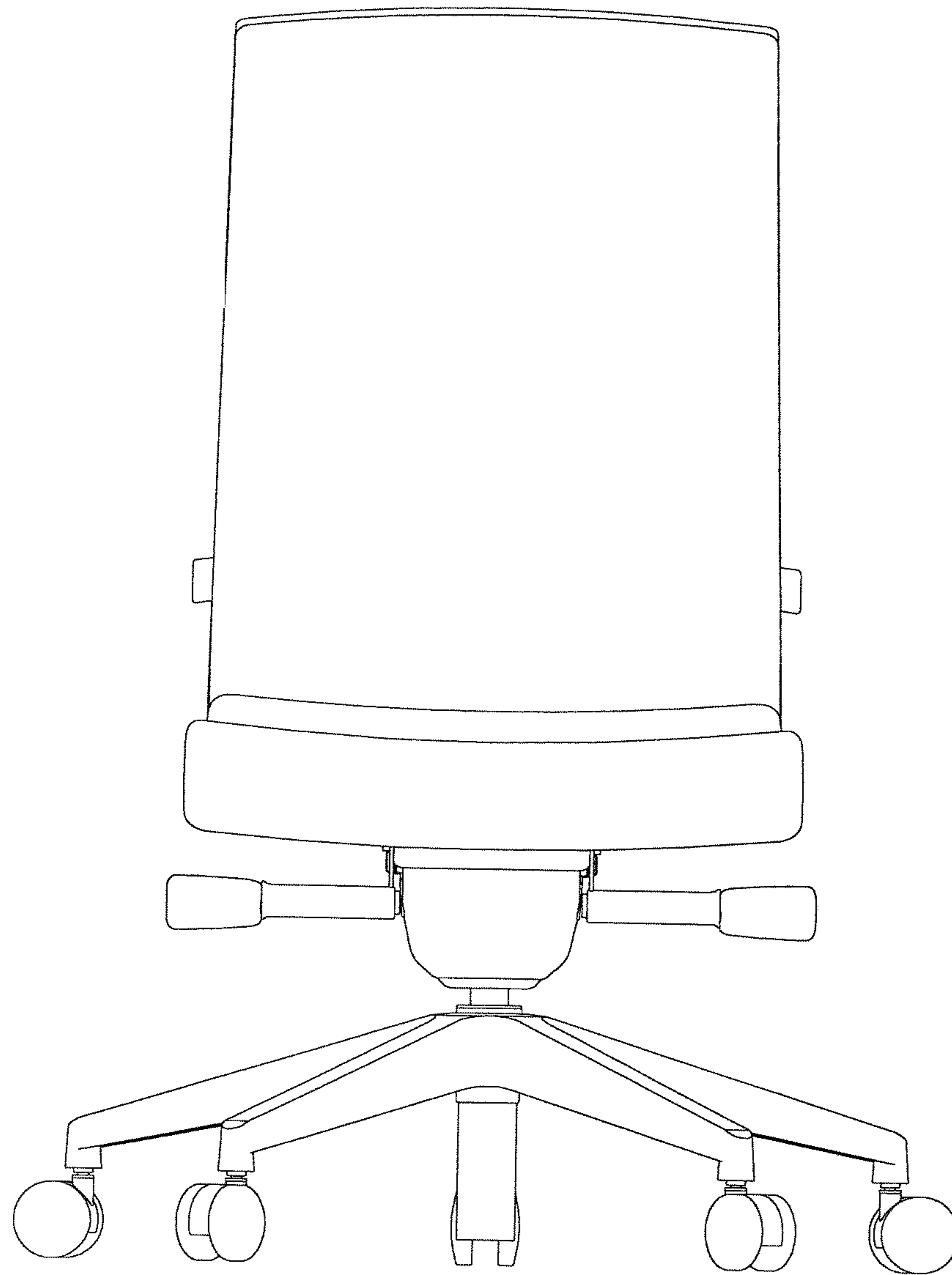


Fig. 2

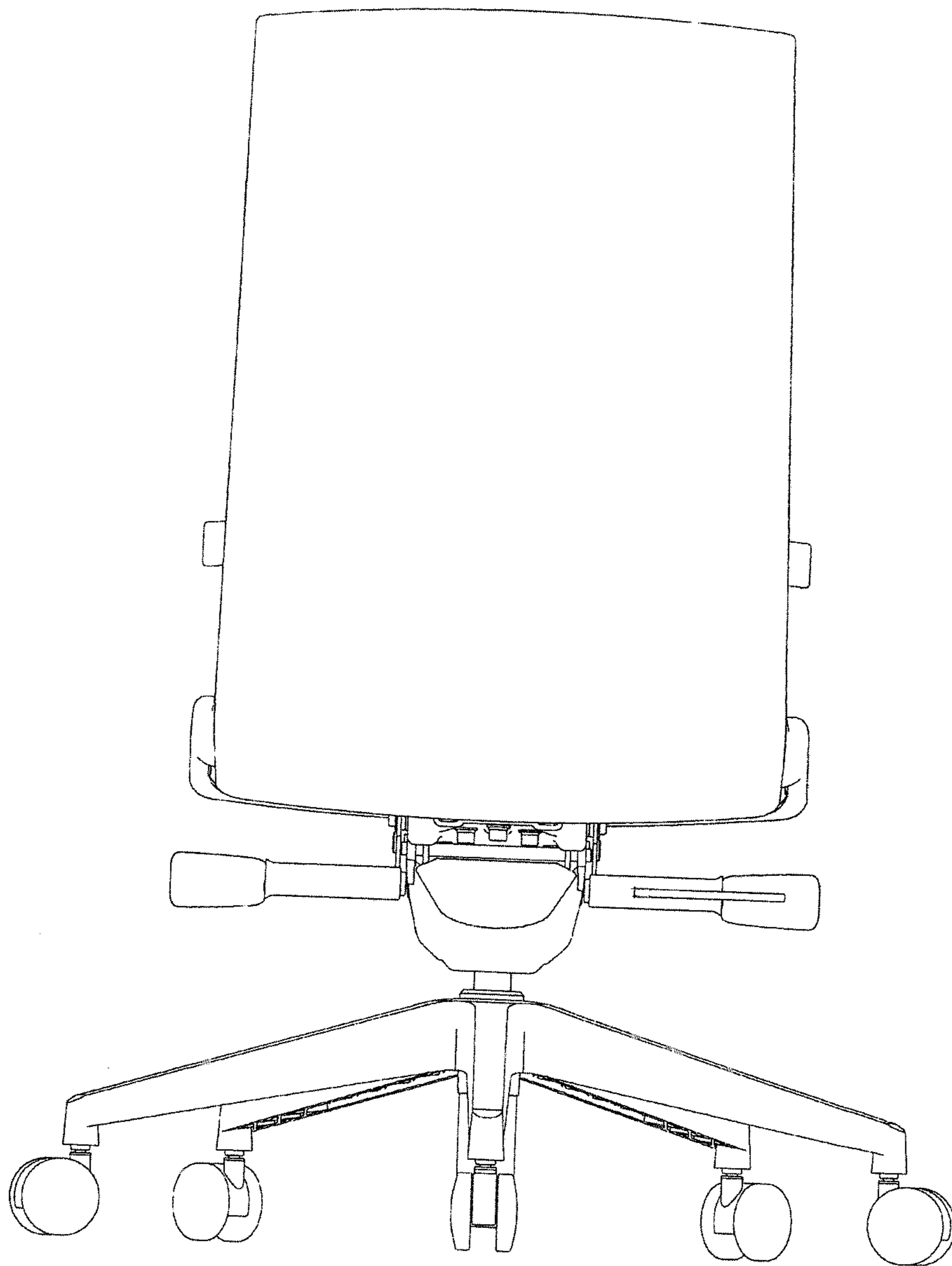


Fig. 3

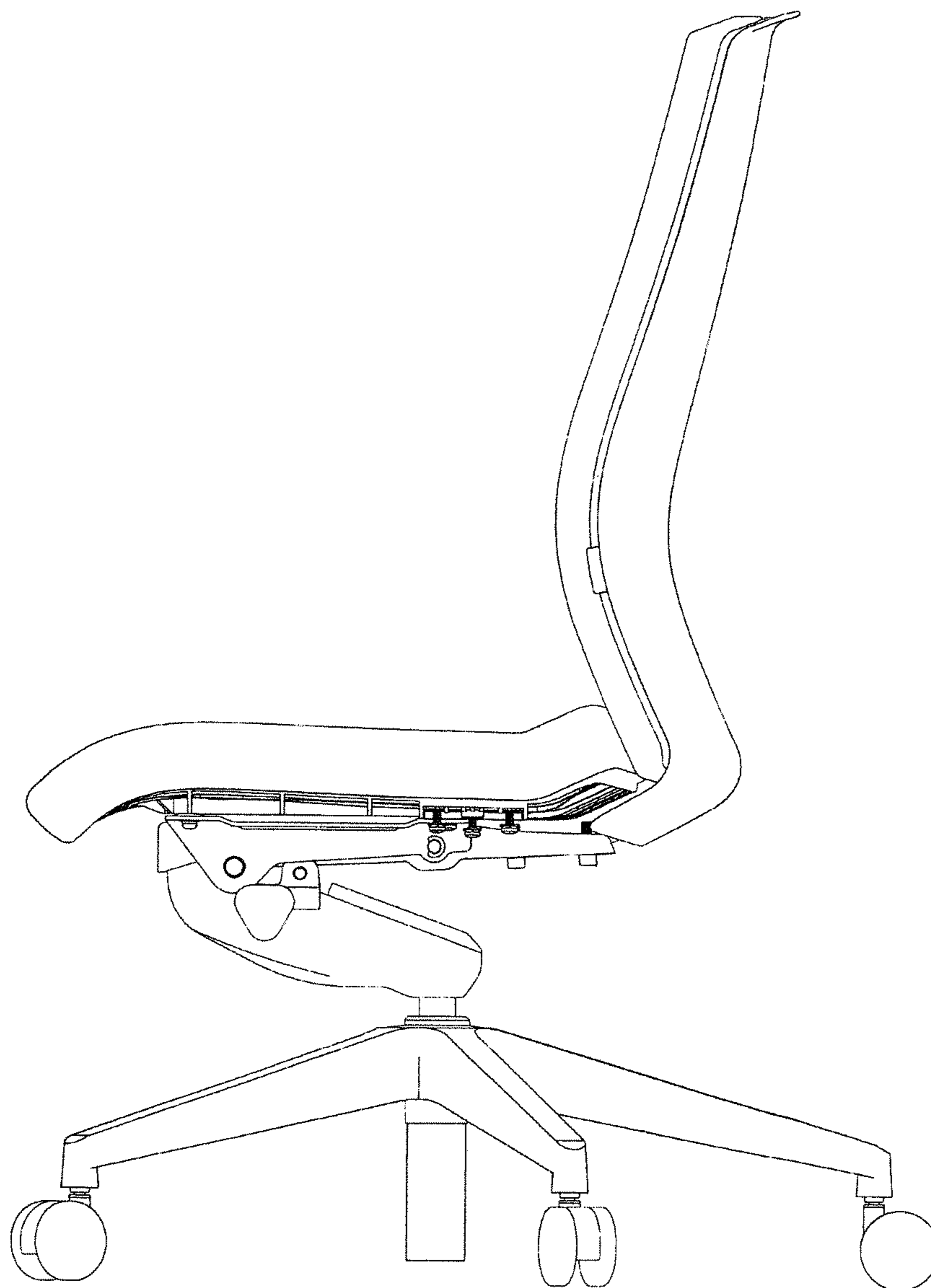


Fig. 4

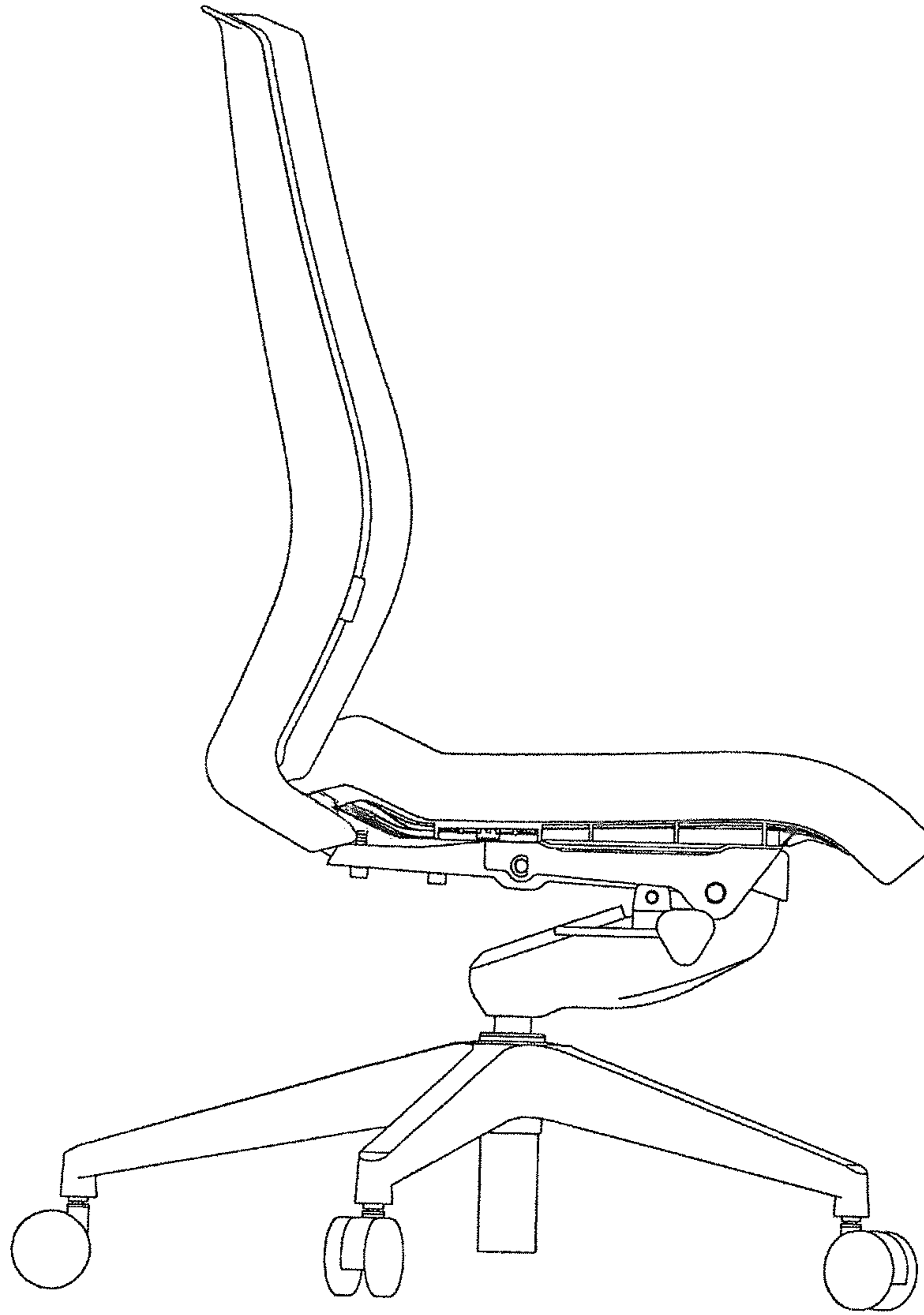


Fig. 5

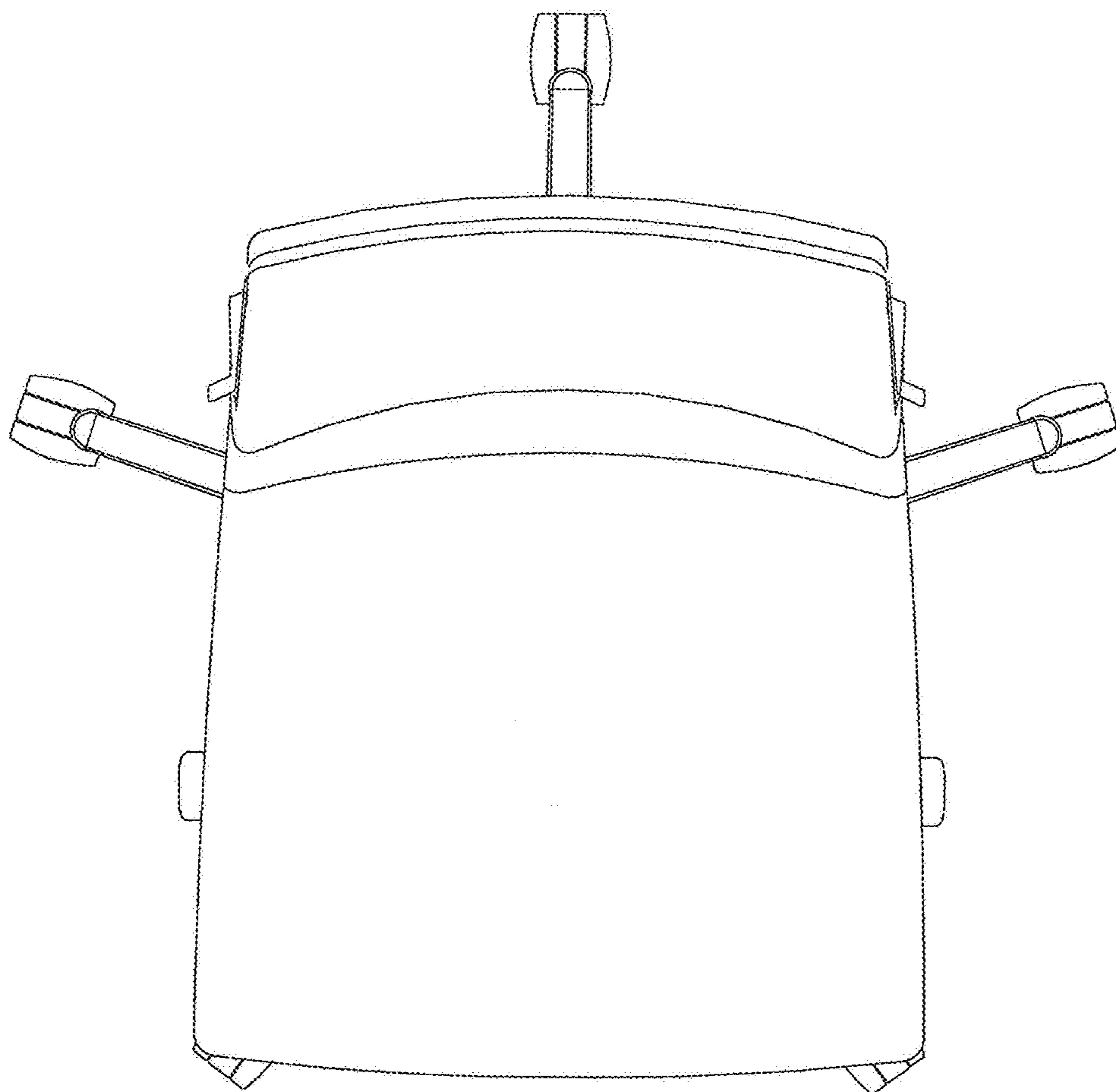


Fig. 6

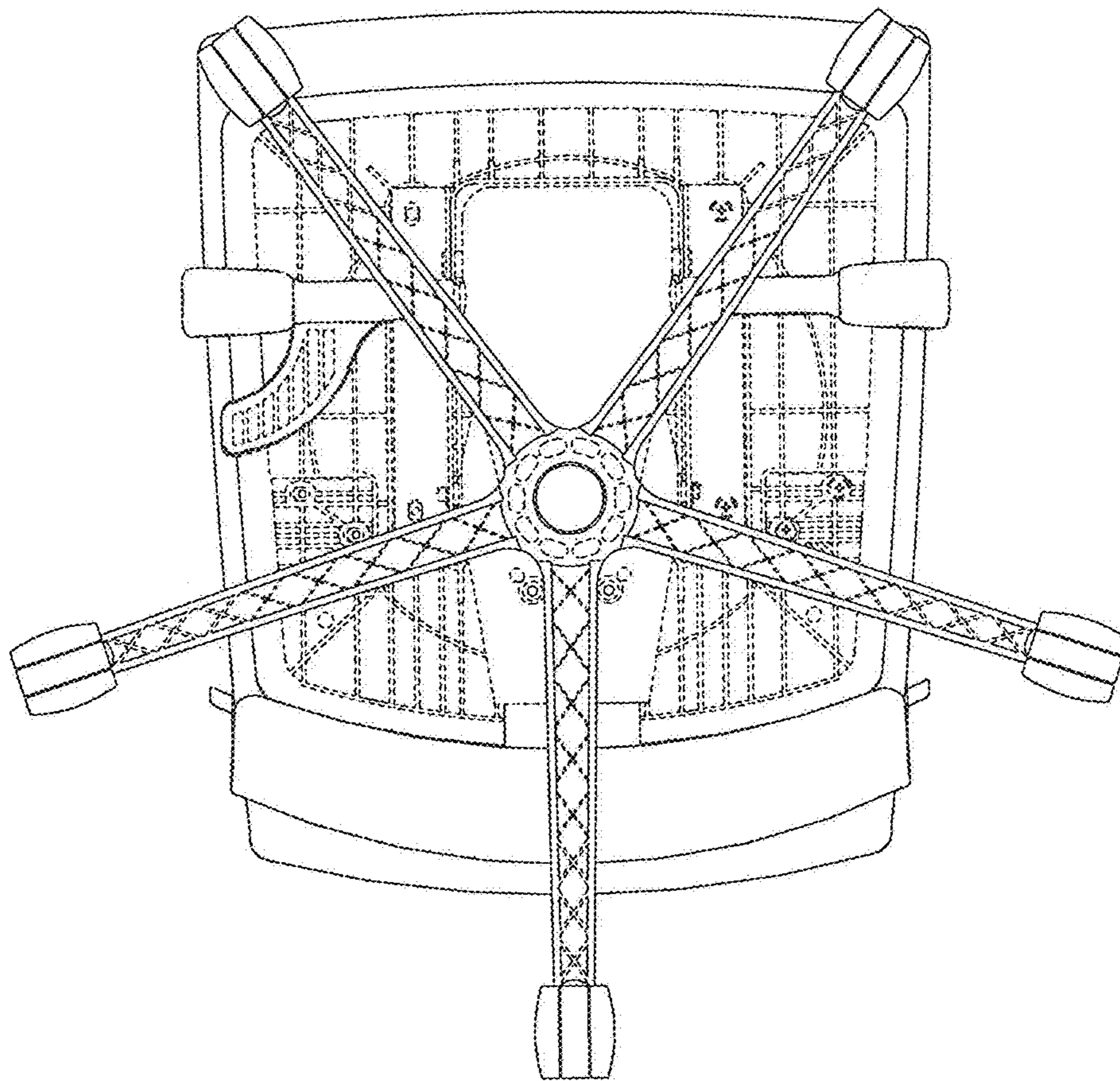


Fig. 7