



US00D688481S

(12) **United States Design Patent**  
**Lee et al.**

(10) **Patent No.:** **US D688,481 S**

(45) **Date of Patent:** **\*\* Aug. 27, 2013**

(54) **STOOL**

(75) Inventors: **Steve Lee**, Park Ridge, IL (US); **Chris Daisy**, Chicago, IL (US)

(73) Assignee: **eFurn Holdings, LLC**, Elk Grove Village, IL (US)

(\*\*) Term: **14 Years**

(21) Appl. No.: **29/396,381**

(22) Filed: **Jun. 29, 2011**

(51) **LOC (9) Cl.** ..... **06-01**

(52) **U.S. Cl.**  
USPC ..... **D6/360**

(58) **Field of Classification Search**  
USPC ..... D6/334–336, 360, 364–367, 374,  
D6/500–502; 297/344.12, 423.18, 423.25,  
297/451.4, 451.5, 461  
See application file for complete search history.

(56) **References Cited**

**U.S. PATENT DOCUMENTS**

D283,762 S *	5/1986	Caruso .....	D6/360
D326,578 S *	6/1992	Kaye .....	D6/502
D486,313 S *	2/2004	Manzali .....	D6/360
D487,983 S *	4/2004	Muller .....	D6/360
D488,630 S *	4/2004	McCann .....	D6/366
D489,911 S *	5/2004	Muller .....	D6/360

D507,893 S *	8/2005	Glass et al. ....	D6/360
D540,048 S *	4/2007	Llusca .....	D6/360
D547,957 S *	8/2007	Muller .....	D6/360
D573,379 S *	7/2008	Muller .....	D6/502
D621,173 S *	8/2010	Li .....	D6/360
D638,633 S *	5/2011	Du .....	D6/360
D639,082 S *	6/2011	Pengelly .....	D6/360
D657,149 S *	4/2012	Lievore et al. ....	D6/360
D665,183 S *	8/2012	Welsh .....	D6/360

\* cited by examiner

*Primary Examiner* — Kelley Donnelly

(74) *Attorney, Agent, or Firm* — Pauley Petersen & Erickson

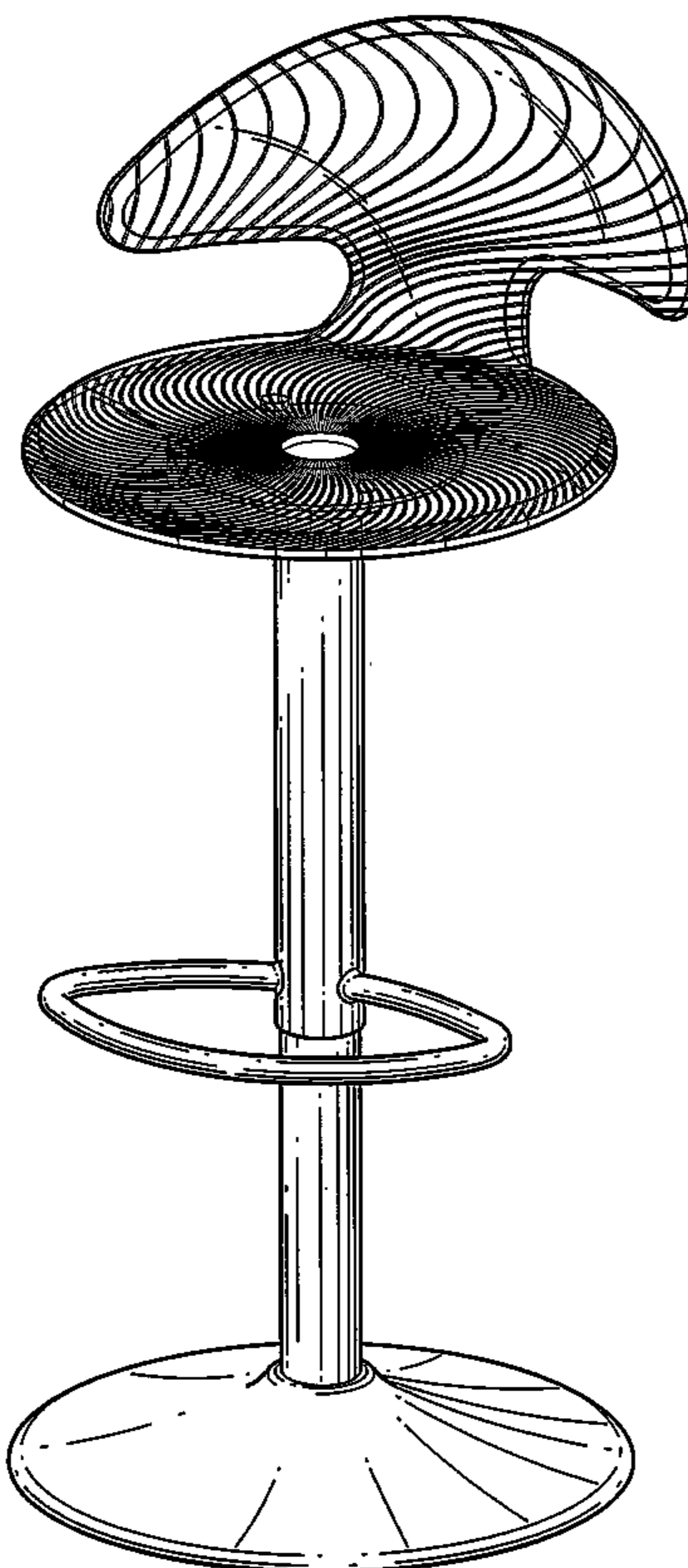
(57) **CLAIM**

The ornamental design for a stool, as shown and described.

**DESCRIPTION**

FIG. 1 is a front perspective view of a stool, according to one embodiment of this invention;  
FIG. 2 is a top view of the stool, as shown in FIG. 1;  
FIG. 3 is a left side view of the stool, as shown in FIG. 1;  
FIG. 4 is a front view of the stool, as shown in FIG. 1;  
FIG. 5 is a right side view of the stool, as shown in FIG. 1;  
FIG. 6 is a back view of the stool, as shown in FIG. 1; and,  
FIG. 7 is a bottom view of the stool, as shown in FIG. 1.

**1 Claim, 7 Drawing Sheets**



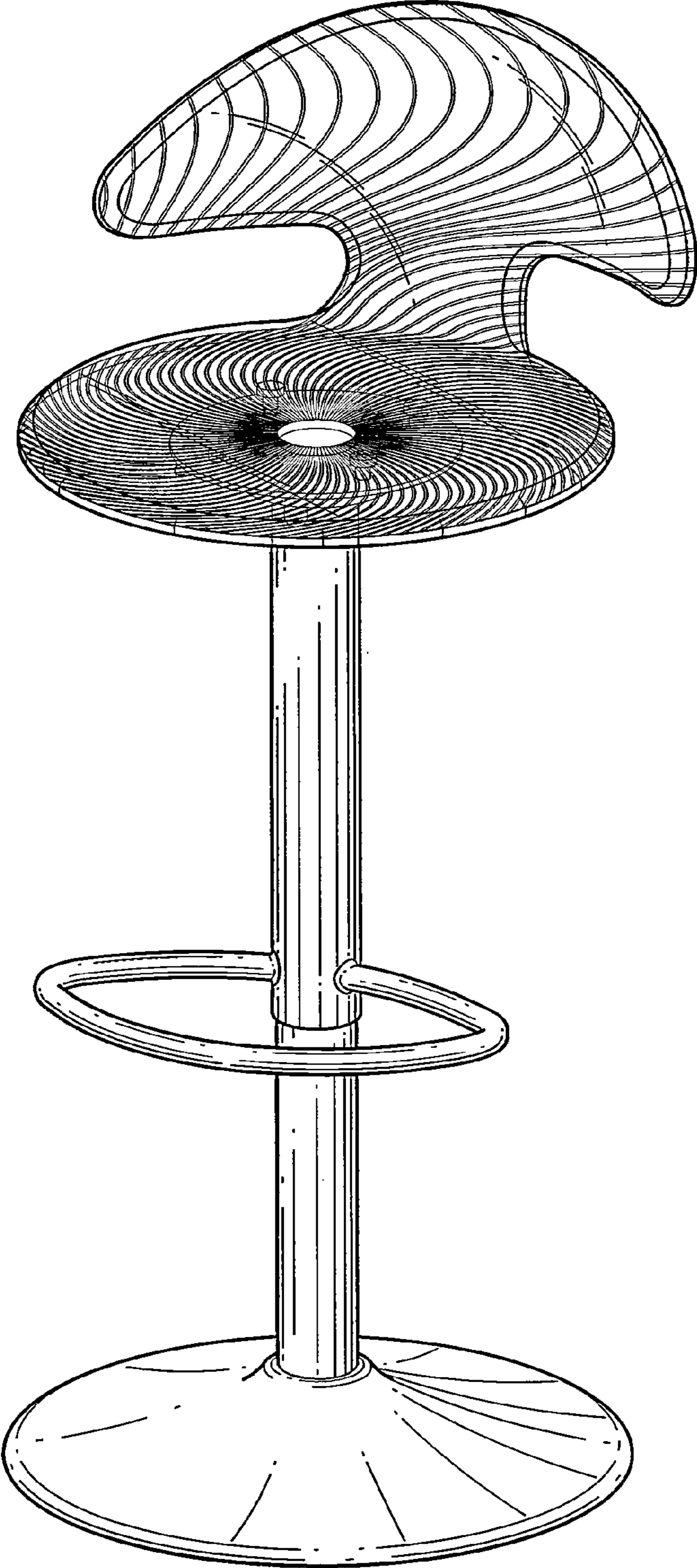


FIG. 1

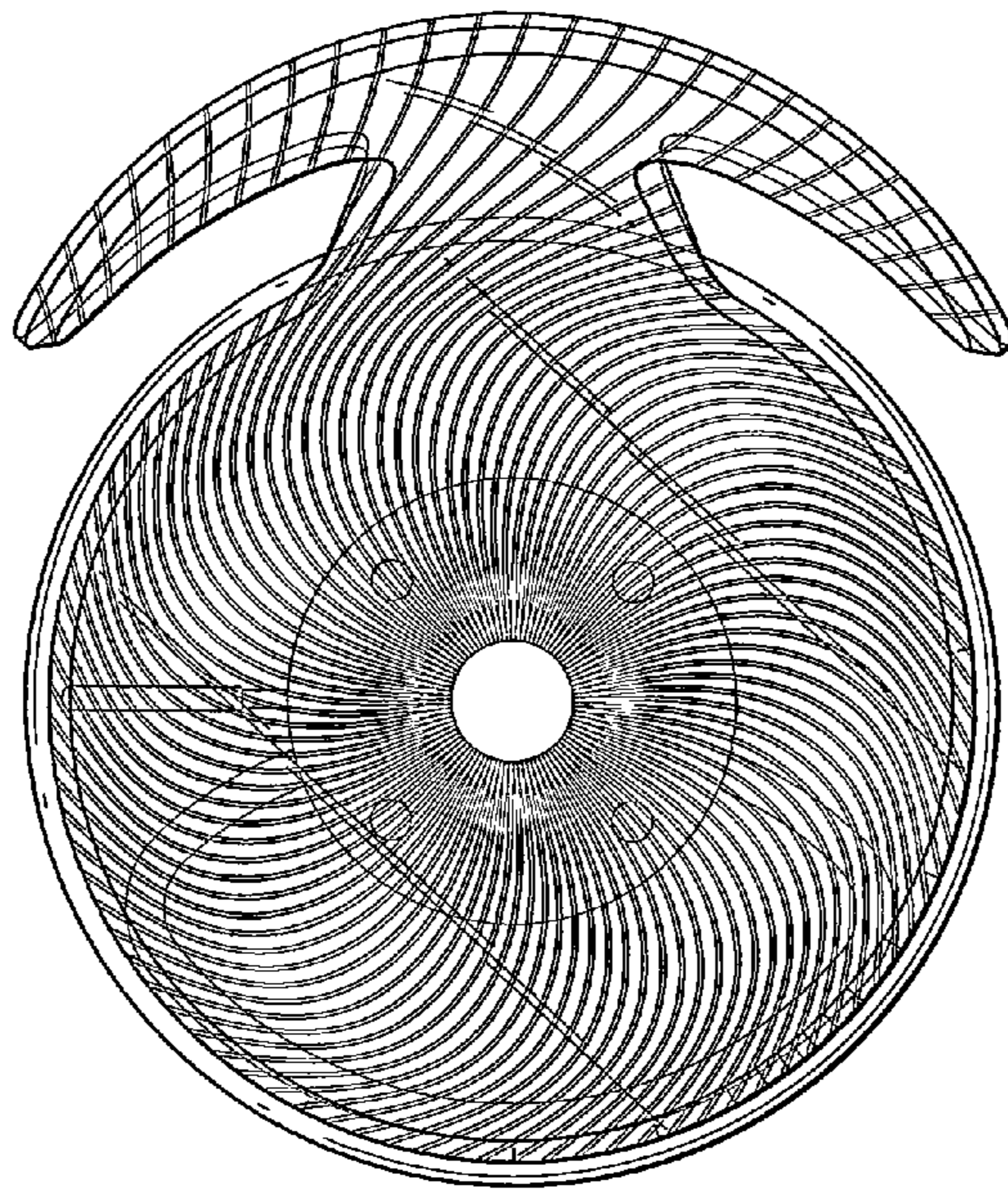


FIG. 2

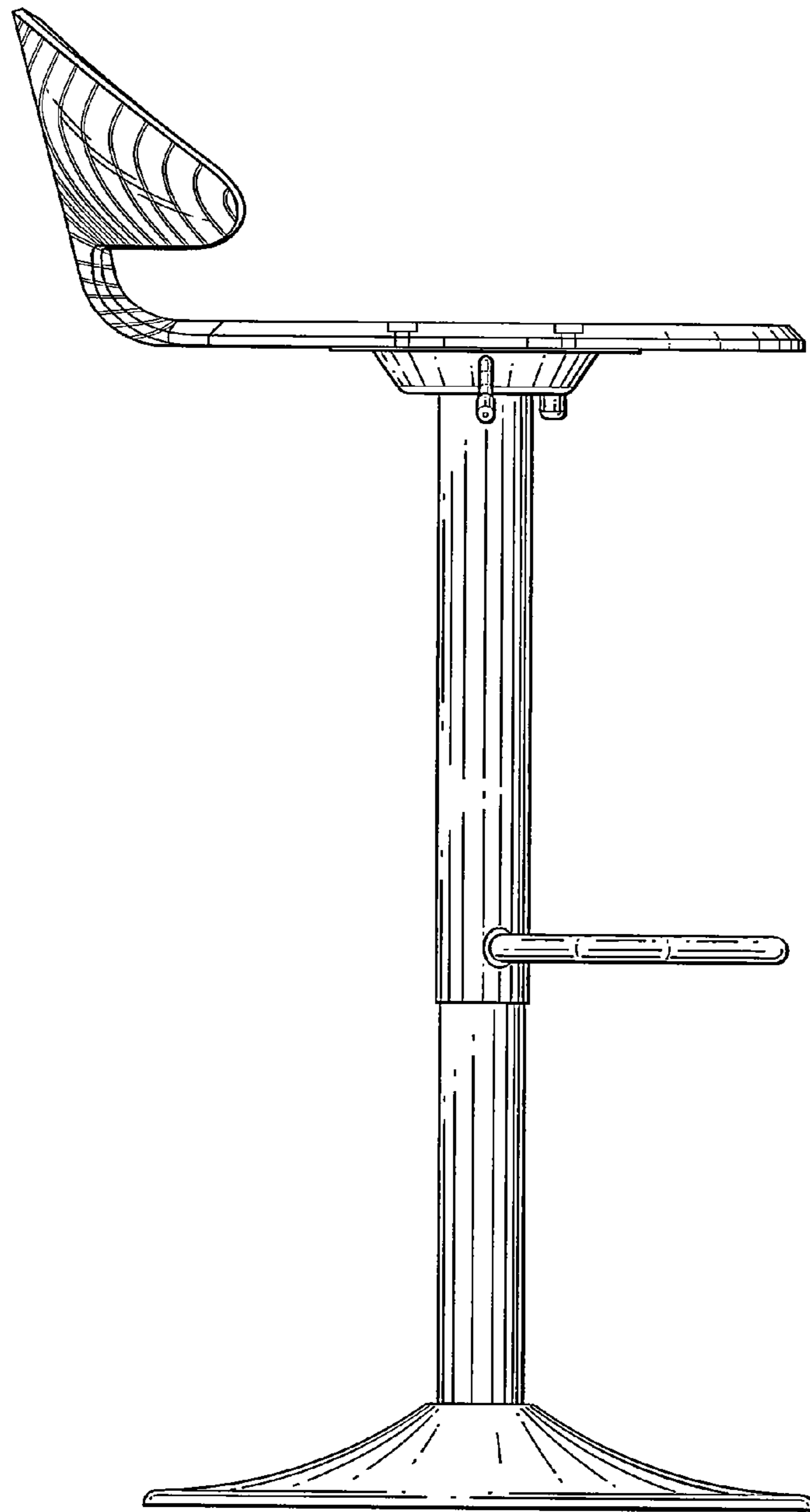


FIG. 3

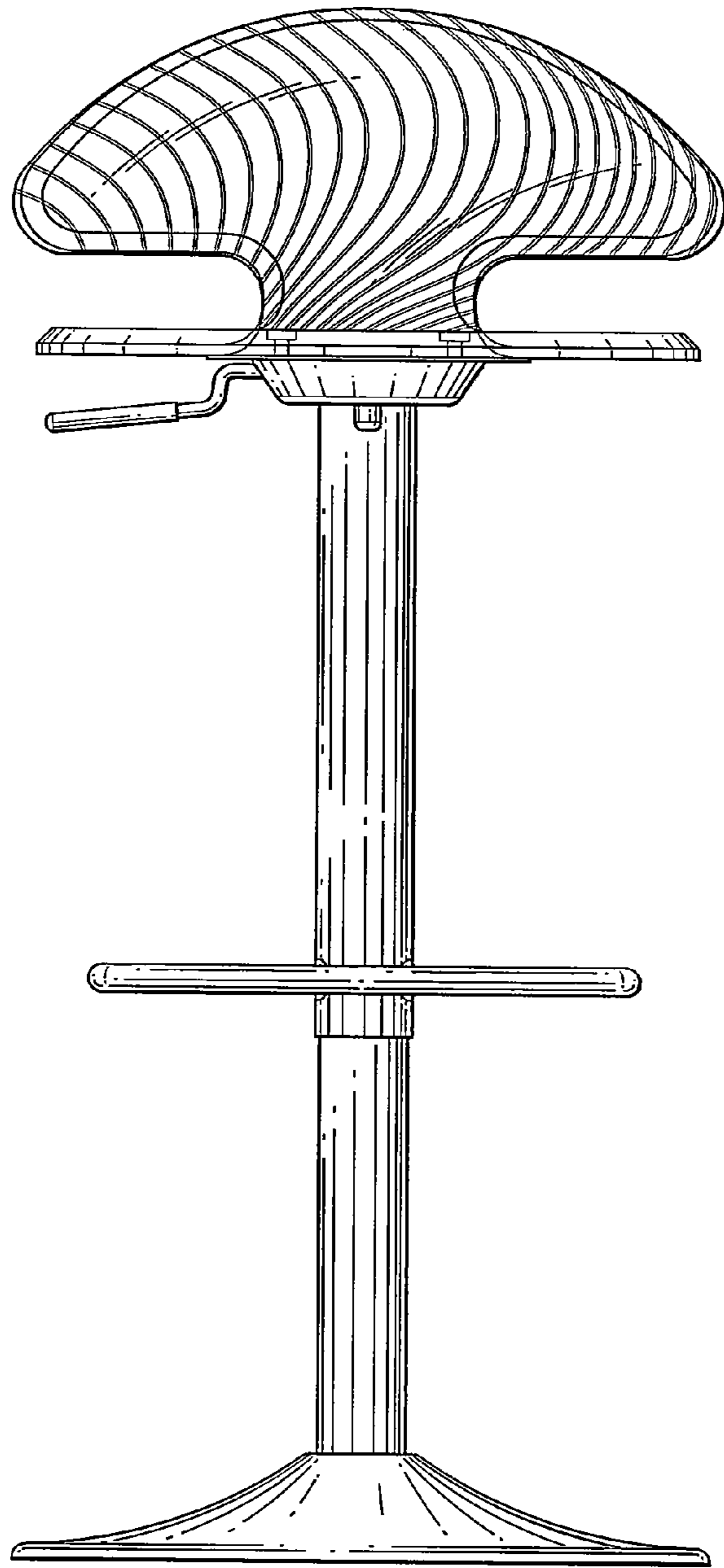


FIG. 4

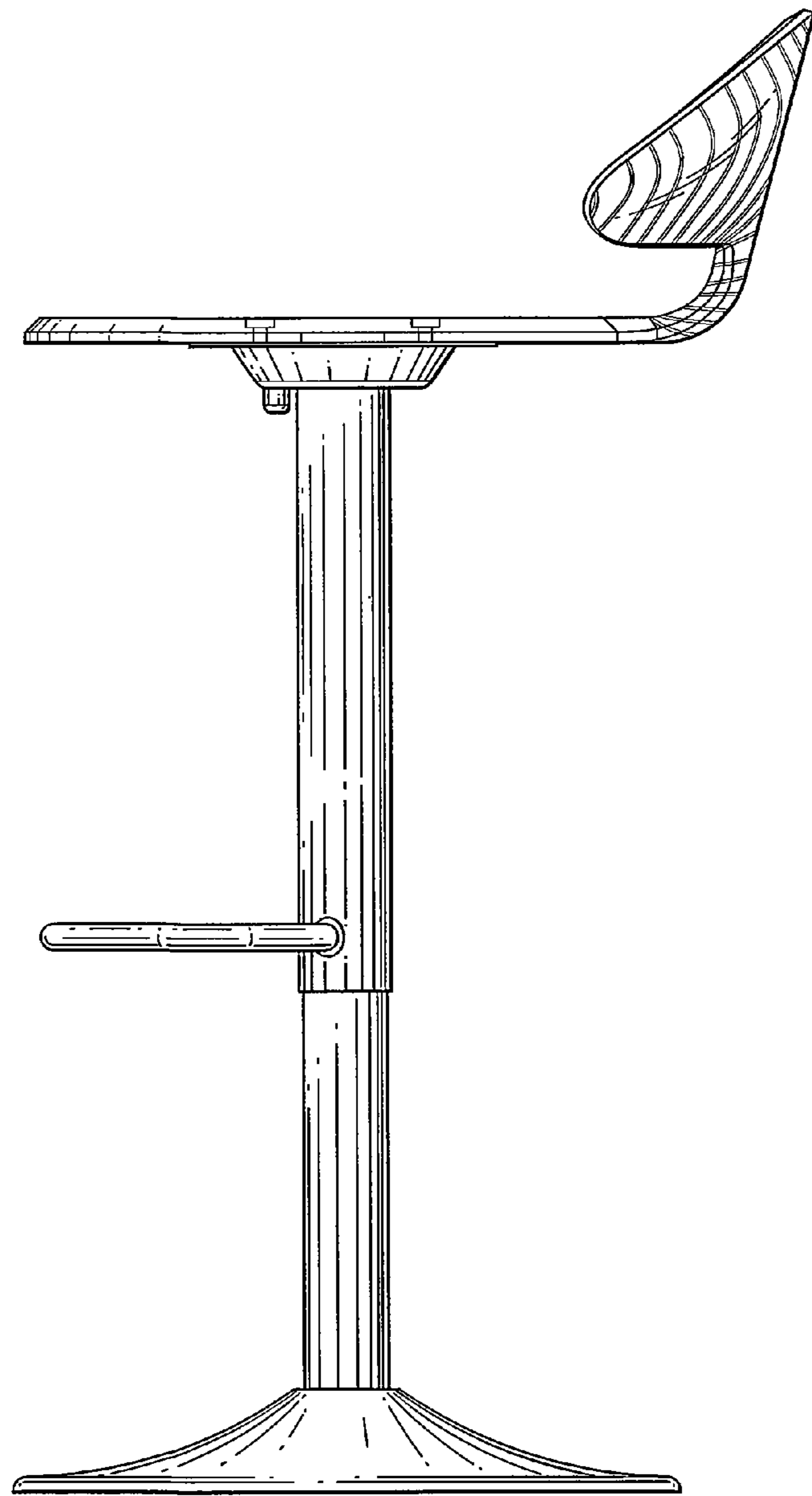


FIG. 5

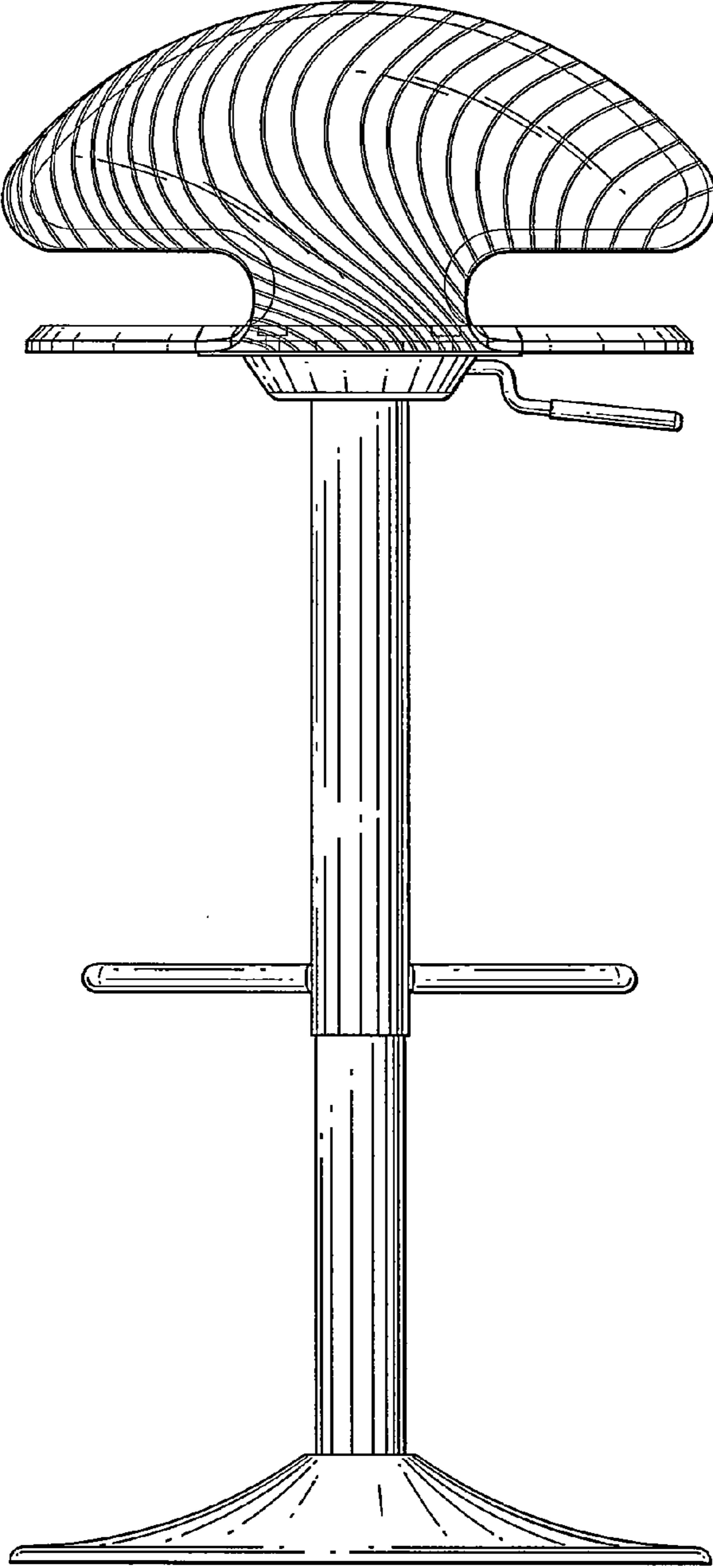


FIG. 6

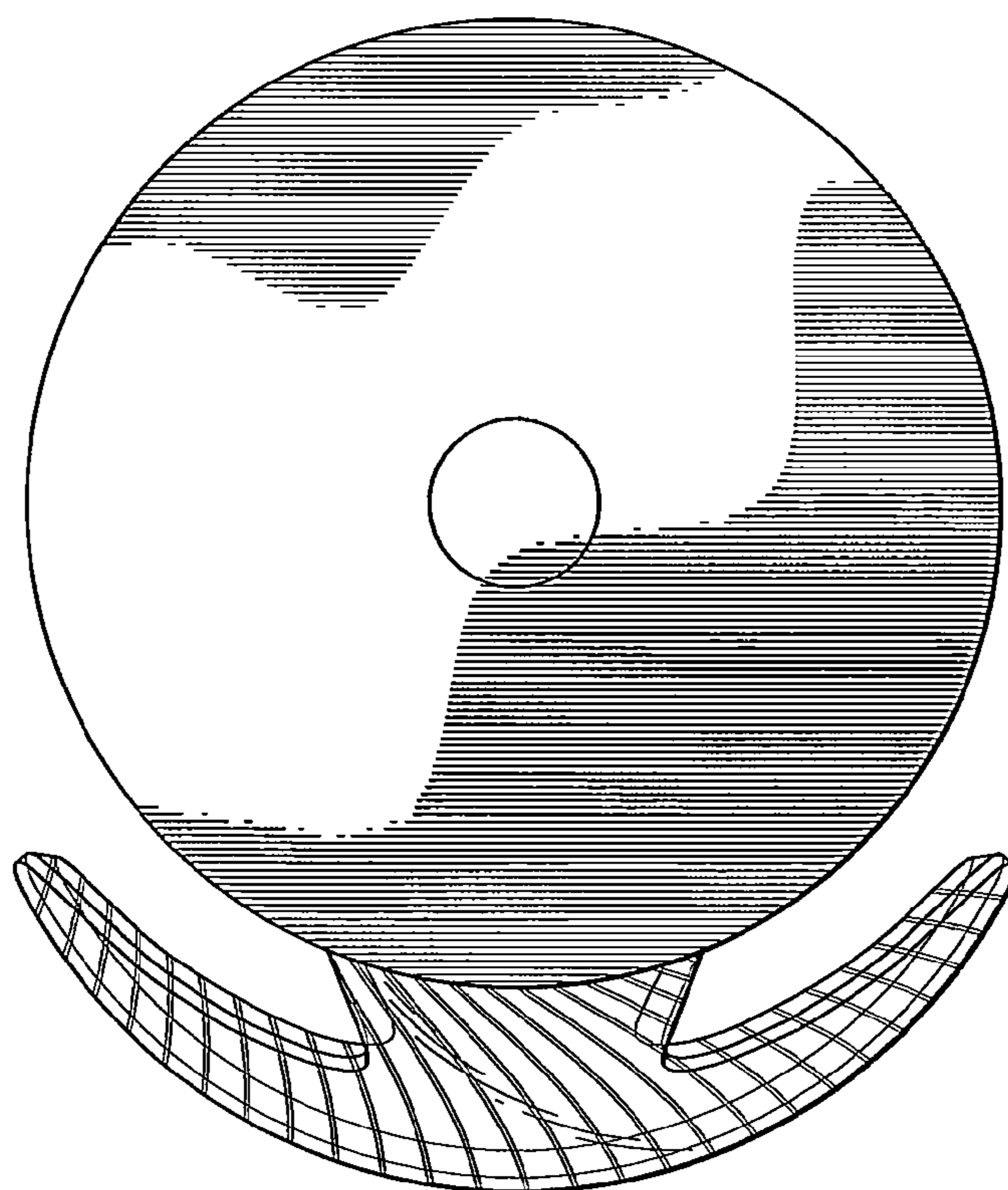


FIG. 7