

US00D688475S

(12) **United States Design Patent**  
**Blet et al.**

(10) **Patent No.:** **US D688,475 S**  
(45) **Date of Patent:** **\*\* Aug. 27, 2013**

(54) **SEAT**

(76) Inventors: **Thierry Blet**, St Martin en Biere (FR);  
**Catherine Le Teo**, St Martin en Biere (FR)

(\*\*) **Term:** **14 Years**

(21) **Appl. No.:** **29/389,829**

(22) **Filed:** **Apr. 18, 2011**

(30) **Foreign Application Priority Data**

Oct. 19, 2010 (WO) ..... DM/074 523

(51) **LOC (9) Cl.** ..... **06-01**

(52) **U.S. Cl.**  
USPC ..... **D6/349**

(58) **Field of Classification Search**  
USPC ..... D6/335, 340, 349-355, 495, 500-502;  
297/16.1, 175, 187, 195.1, 423.1, 423.11,  
297/423.14, 423.16, 461, 462

See application file for complete search history.

(56) **References Cited**

**U.S. PATENT DOCUMENTS**

D373,477 S \* 9/1996 Lewis ..... D6/349  
D474,345 S \* 5/2003 Pessa ..... D6/349  
D553,867 S \* 10/2007 Williams et al. .... D6/335  
D561,487 S \* 2/2008 Schweikarth et al. .... D6/381  
D566,980 S \* 4/2008 Mourgue ..... D6/381  
D577,211 S \* 9/2008 Natuzzi ..... D6/334  
D586,590 S \* 2/2009 Schweikarth et al. .... D6/492

D597,328 S \* 8/2009 Schweikarth et al. .... D6/355  
D624,328 S \* 9/2010 Grandin et al. .... D6/381  
D639,083 S \* 6/2011 Martin ..... D6/381

**OTHER PUBLICATIONS**

LTB soft seating. [online] Retrieved Feb. 8, 2013 from URL: <www.haworth-europe.com/en/Products/Seating/Lounge-Soft/LTB>.\*  
Steelcase Alight Lounge Bench Ottoman. [online] Retrieved Feb. 8, 2013 from URL: <www.allmodern.com/Steelcase-Alight-Lounge-Bench-Ottoman-TS34403X-SCA1110.html>.\*

\* cited by examiner

*Primary Examiner* — Susan Bennett Hattan

*Assistant Examiner* — Vy Koenig

(74) *Attorney, Agent, or Firm* — Wilczynski Brozek Law;  
Patricia Wilczynski Brozek

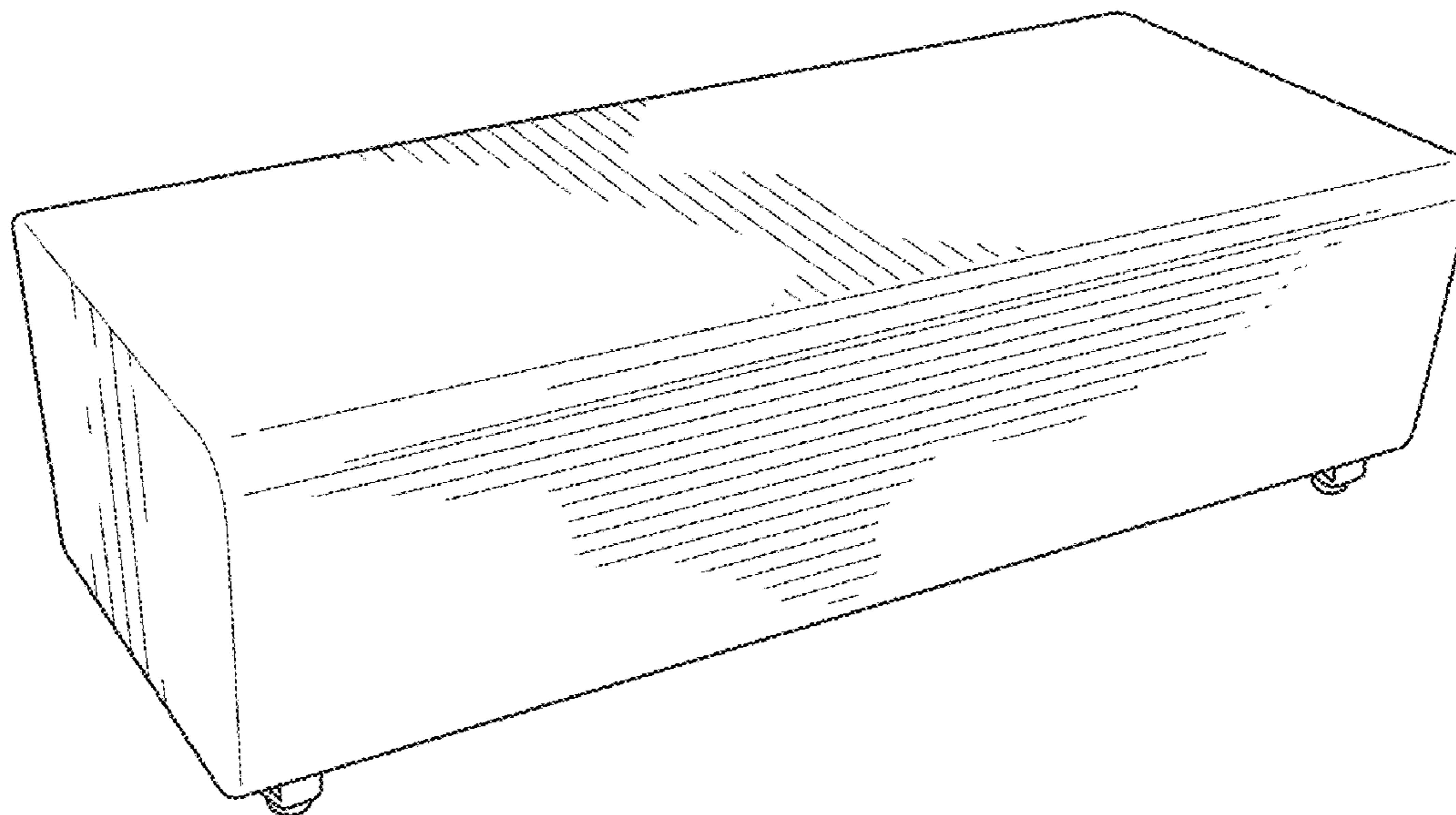
(57) **CLAIM**

The ornamental design for a seat, substantially as shown and described.

**DESCRIPTION**

FIG. 1 is a perspective view of a seat showing our new design;  
FIG. 2 is a left view thereof;  
FIG. 3 is a right view thereof;  
FIG. 4 is a front view thereof;  
FIG. 5 is back view thereof;  
FIG. 6 is a top view thereof; and,  
FIG. 7 is a bottom view thereof.

**1 Claim, 2 Drawing Sheets**



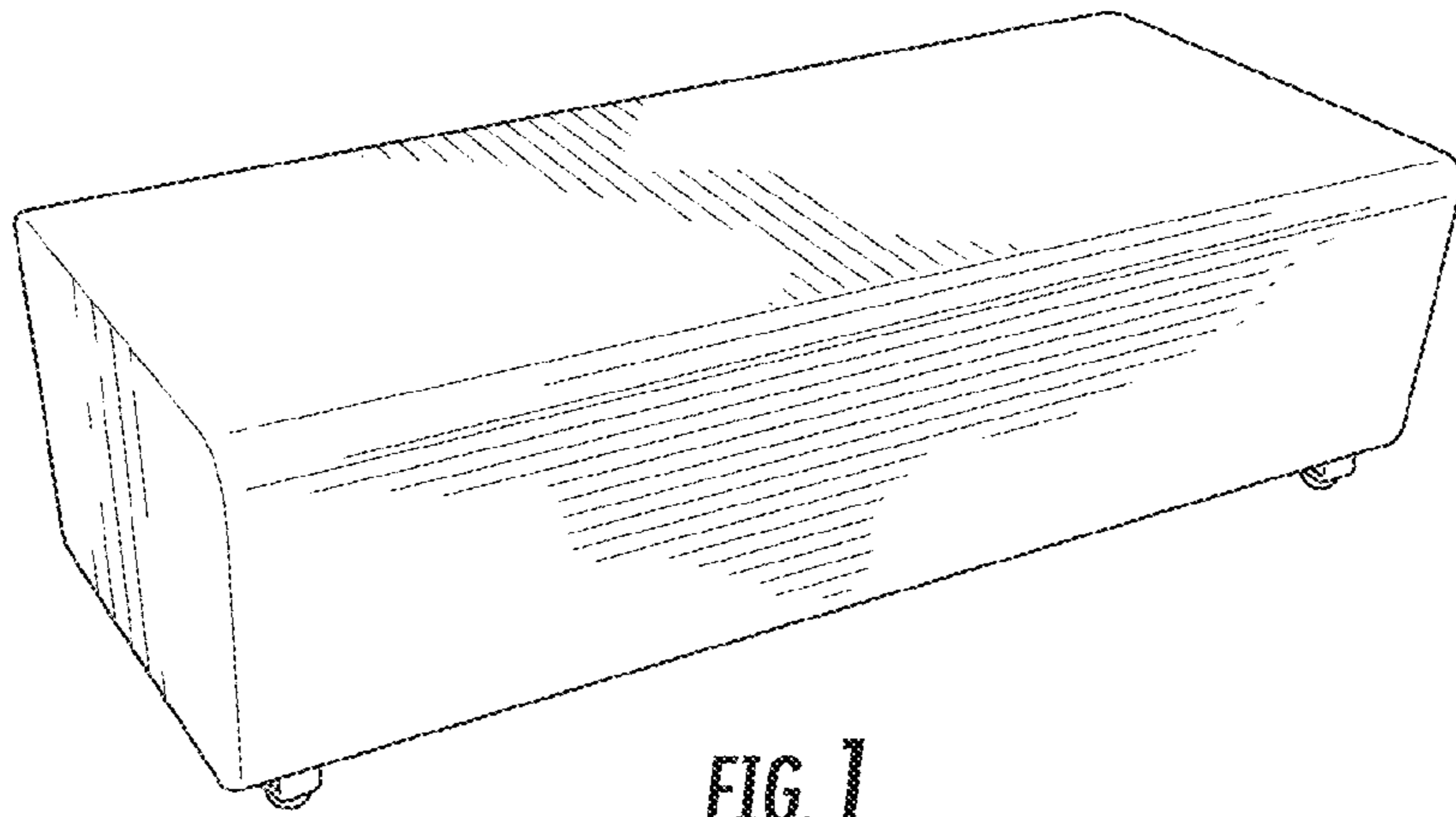


FIG. 1

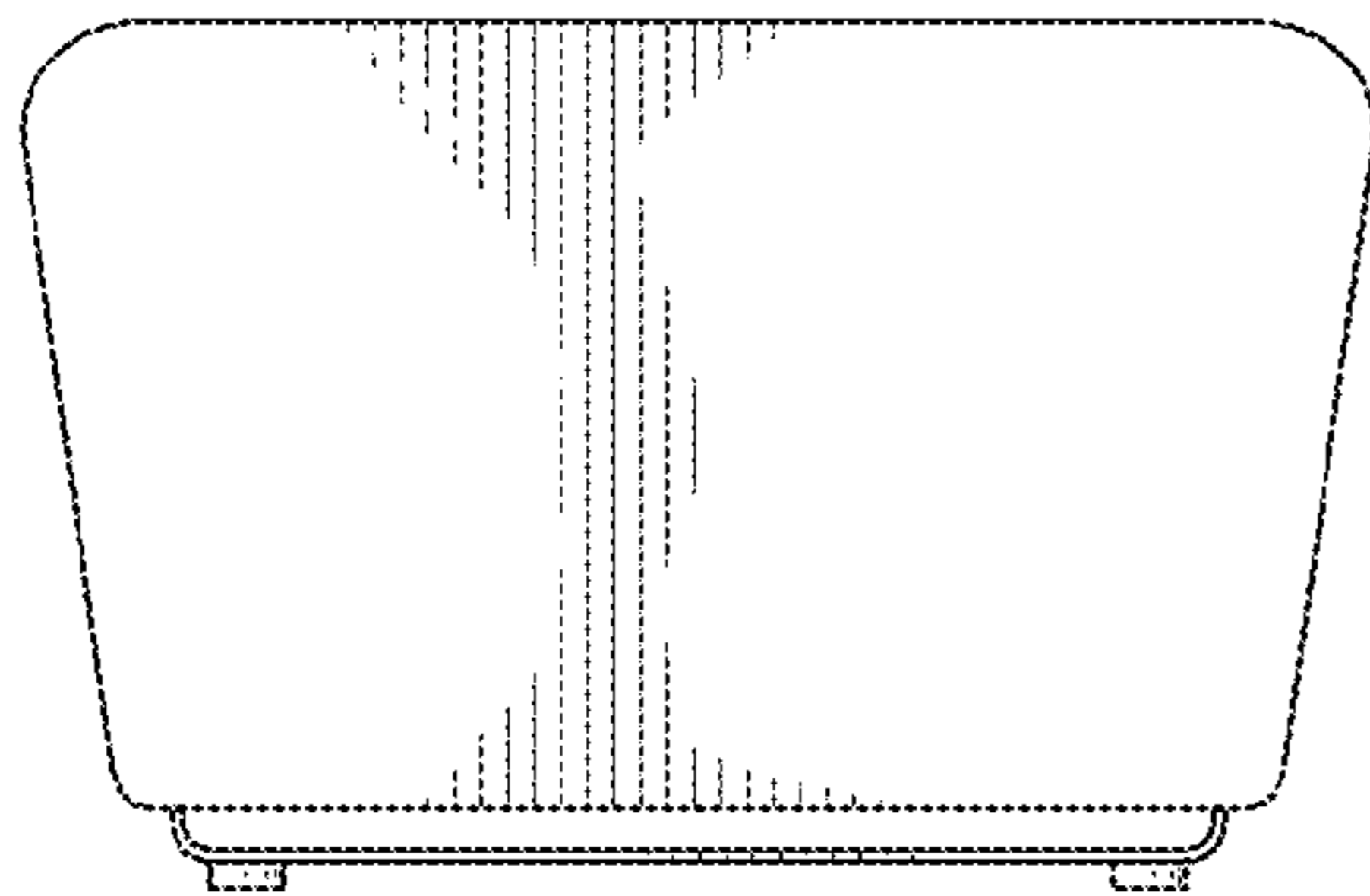


FIG. 2

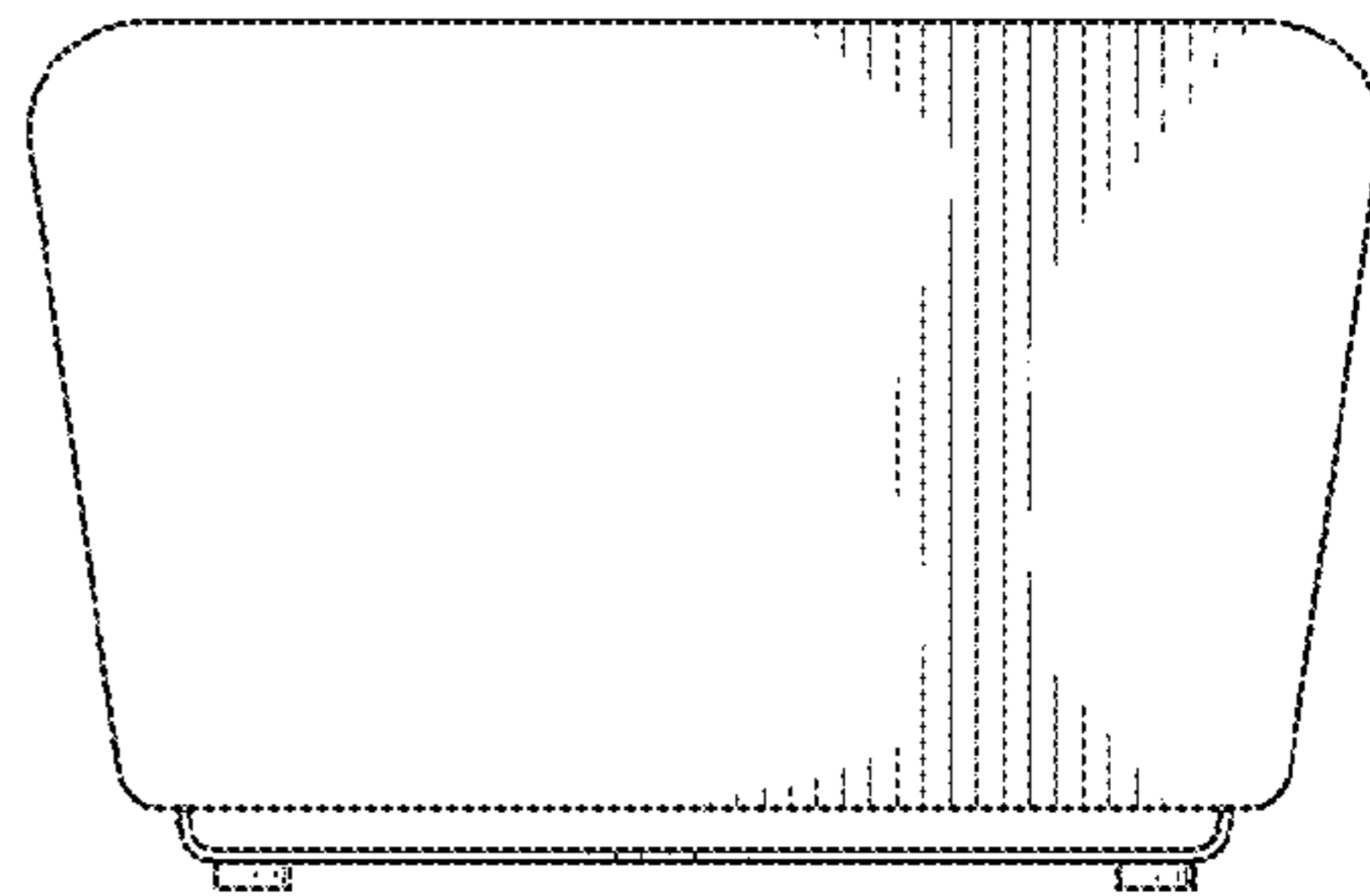


FIG. 3



FIG. 4

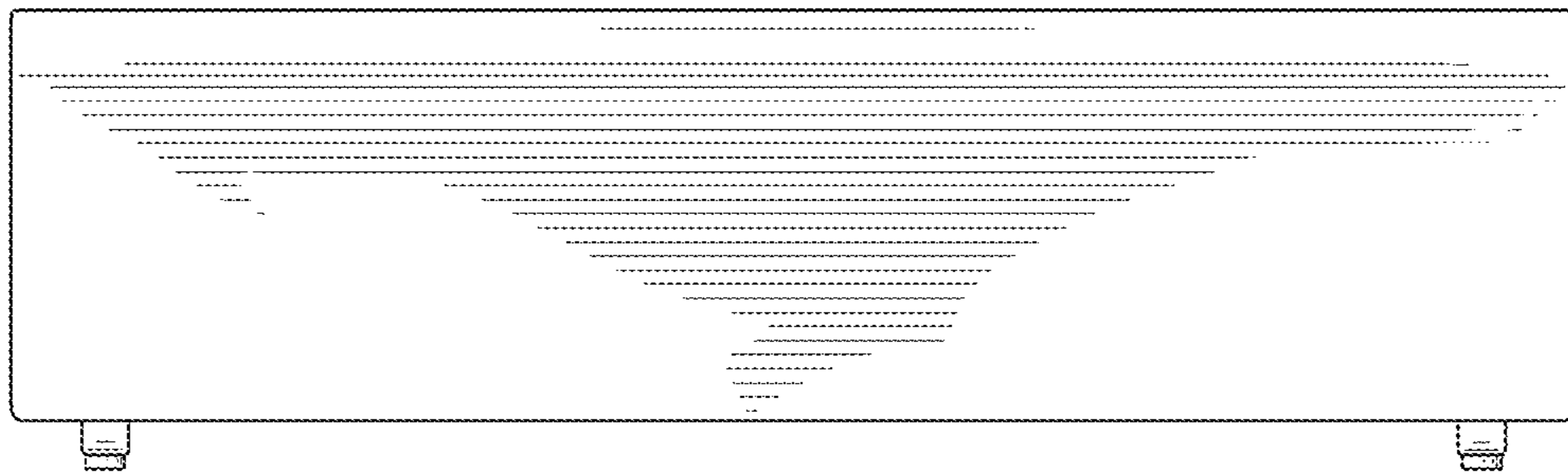


FIG. 5

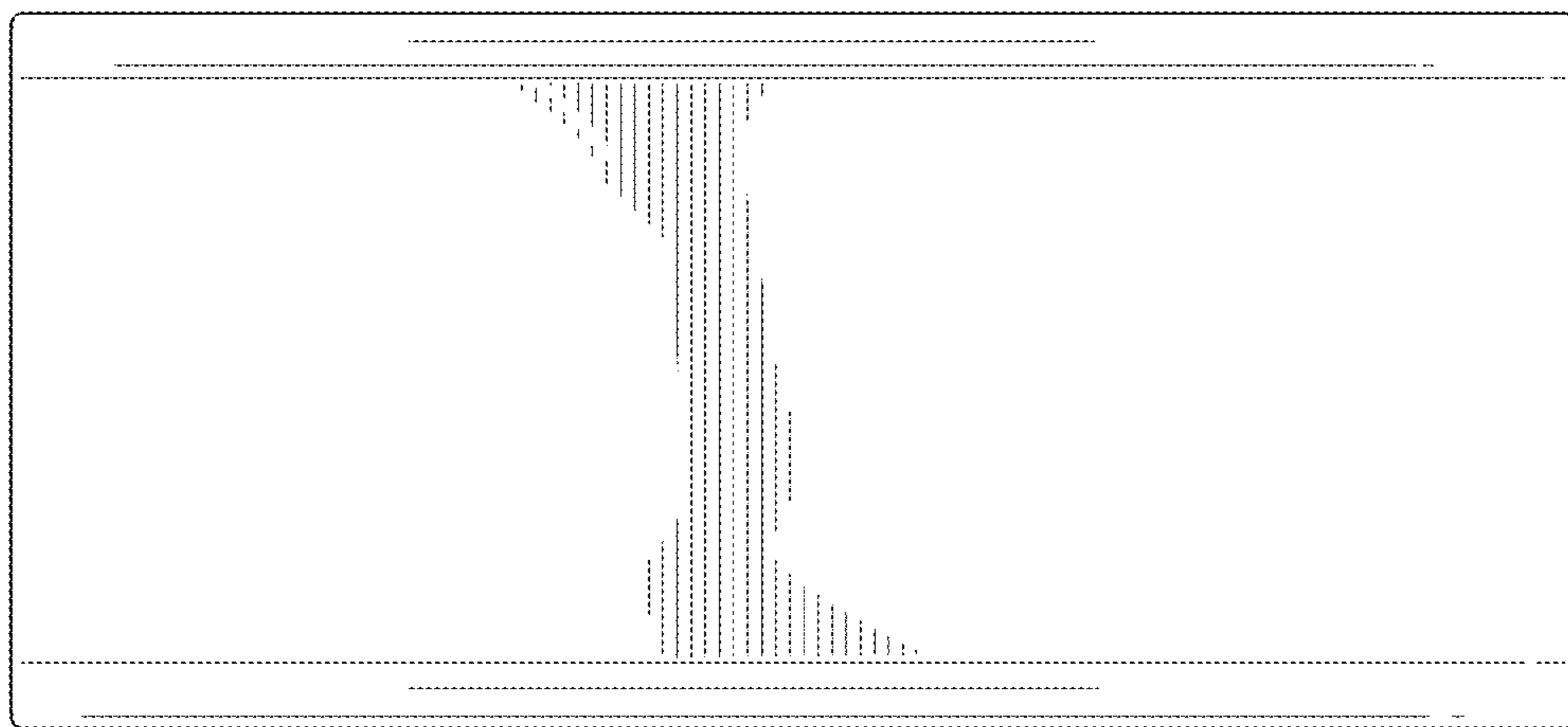


FIG. 6

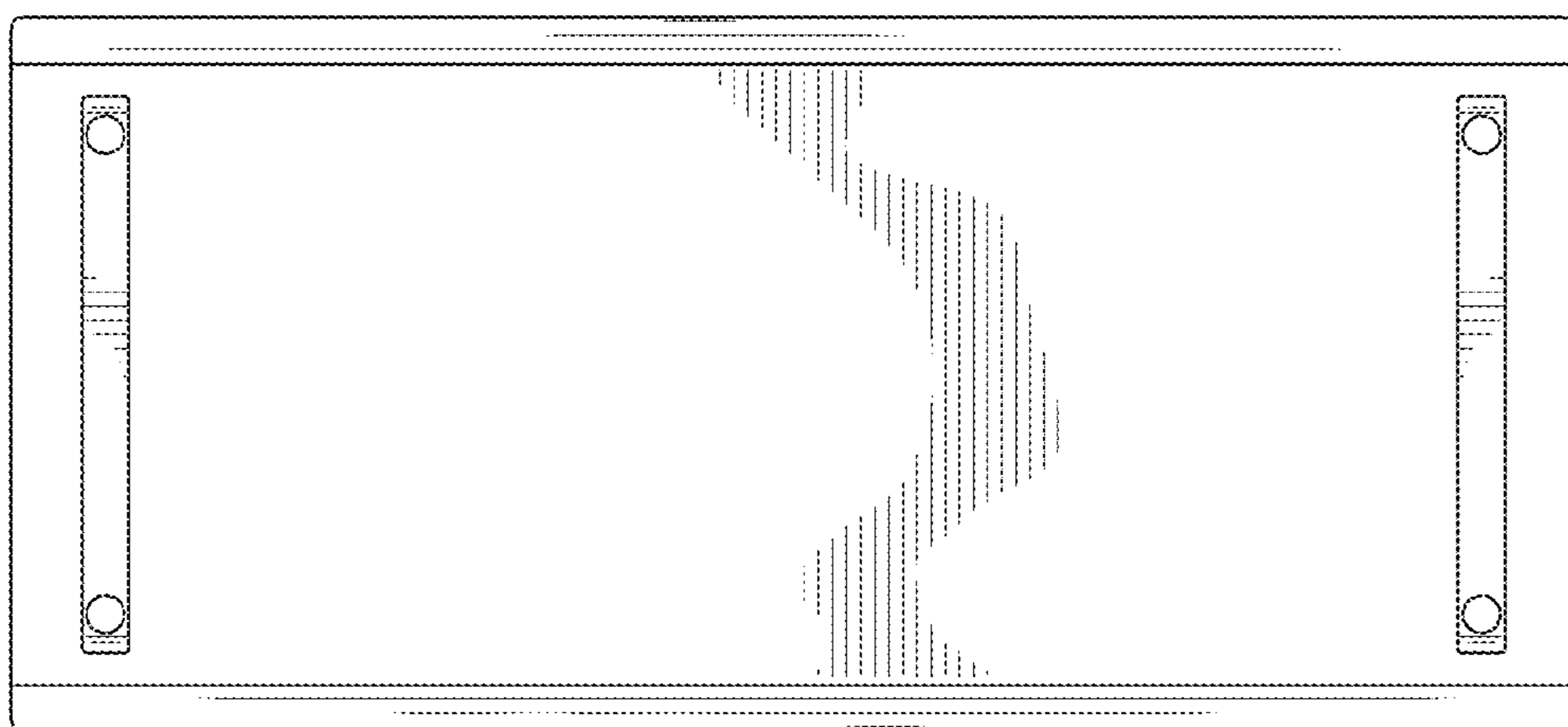


FIG. 7