



US00D688472S

(12) **United States Design Patent**  
**Cohen**

(10) **Patent No.:** **US D688,472 S**

(45) **Date of Patent:** **\*\* Aug. 27, 2013**

(54) **SLIM PROFILE, NON-SLIP, CLOTHING HANGER**

D486,309 S \* 2/2004 Abdi et al. .... D6/315  
D499,255 S \* 12/2004 Goodman et al. .... D6/317  
D607,215 S \* 1/2010 Mangano ..... D6/315  
2010/0051654 A1\* 3/2010 Thompson et al. .... 223/88

(71) Applicant: **Samuel V. Cohen**, Brooklyn, NY (US)

\* cited by examiner

(72) Inventor: **Samuel V. Cohen**, Brooklyn, NY (US)

*Primary Examiner* — Derrick Holland

(73) Assignee: **Wiesner Products Inc.**, New York City, NY (US)

*Assistant Examiner* — Lauren Calve

(\*\*) Term: **14 Years**

(74) *Attorney, Agent, or Firm* — Andrew S. Langsam; Pryor Cashman LLP

(21) Appl. No.: **29/451,353**

(57) **CLAIM**

(22) Filed: **Apr. 1, 2013**

The ornamental design for a slim profile, non-slip, clothing hanger, as shown and described.

**Related U.S. Application Data**

(62) Division of application No. 29/437,737, filed on Nov. 20, 2012, now Pat. No. Des. 679,912.

**DESCRIPTION**

(51) **LOC (9) Cl.** ..... **06-08**

(52) **U.S. Cl.**  
USPC ..... **D6/319**

(58) **Field of Classification Search**  
USPC ..... D6/315–328; 223/85–98; 211/1, 211/13.1, 85.3, 86.01, 105.2, 106.1, 123, 211/124, 183; 248/317, 339  
See application file for complete search history.

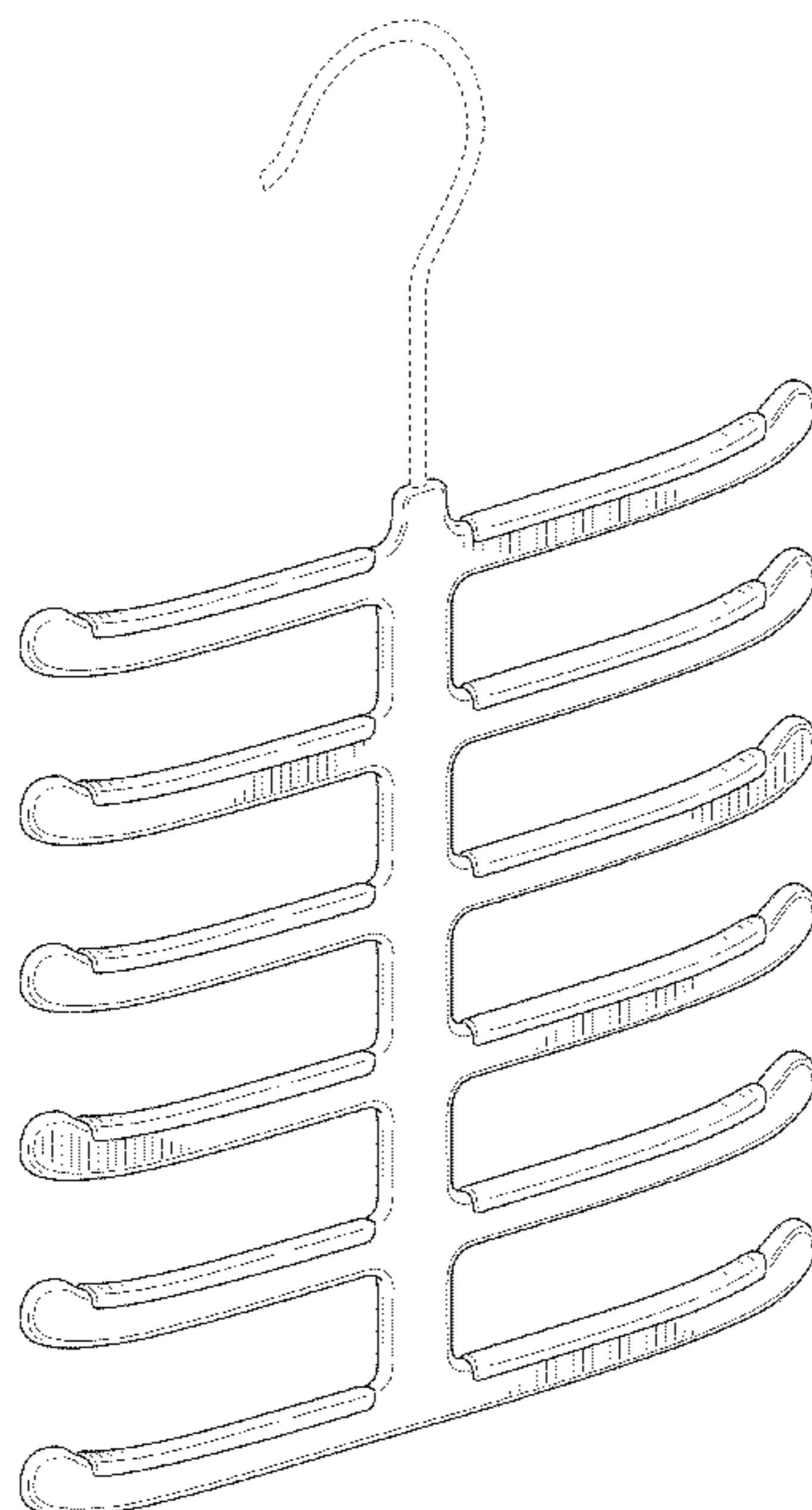
FIG. 1 is a perspective view of the present invention, a slim profile, non-slip, clothing hanger;  
FIG. 2 is a front elevational view of the present invention showing the slim profile, non-slip, clothing hanger;  
FIG. 3 is a rear elevational view of the present invention showing the slim profile, non-slip, clothing hanger;  
FIG. 4 is a left side elevational view of the present invention showing the slim profile, non-slip, clothing hanger;  
FIG. 5 is a right side elevational view of the present invention showing the slim profile, non-slip, clothing hanger;  
FIG. 6 is top plan view of the present invention showing the slim profile, non-slip, clothing hanger; and,  
FIG. 7 is a bottom plan view of the present invention showing the slim profile, non-slip, clothing hanger.  
The broken line showing of a slim profile, non-slip, clothing hanger represents unclaimed subject matter and forms no part of the claimed design.

(56) **References Cited**

U.S. PATENT DOCUMENTS

D112,779	S	*	1/1939	Lazarus	.....	D6/320
2,593,356	A	*	4/1952	Smith	.....	211/119
D171,928	S	*	4/1954	Bureau	.....	D6/319
D218,496	S	*	8/1970	Arnold	.....	D6/315
D228,712	S	*	10/1973	Martin	.....	D6/320
D242,414	S	*	11/1976	Salladay	.....	D6/315
D281,931	S	*	12/1985	Arnold et al.	.....	D6/317
D320,118	S	*	9/1991	Testa	.....	D6/317

**1 Claim, 5 Drawing Sheets**



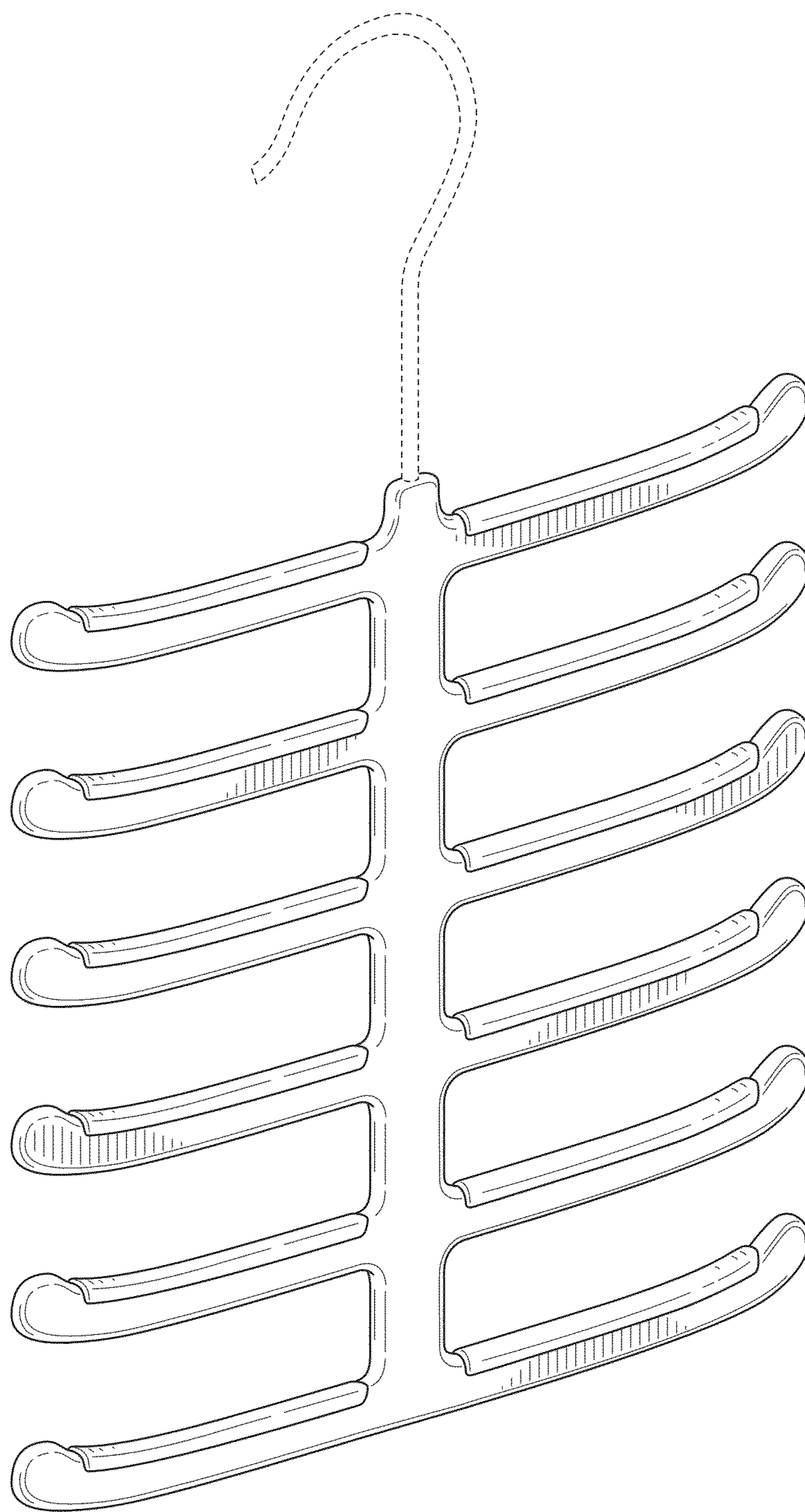


FIG. 1

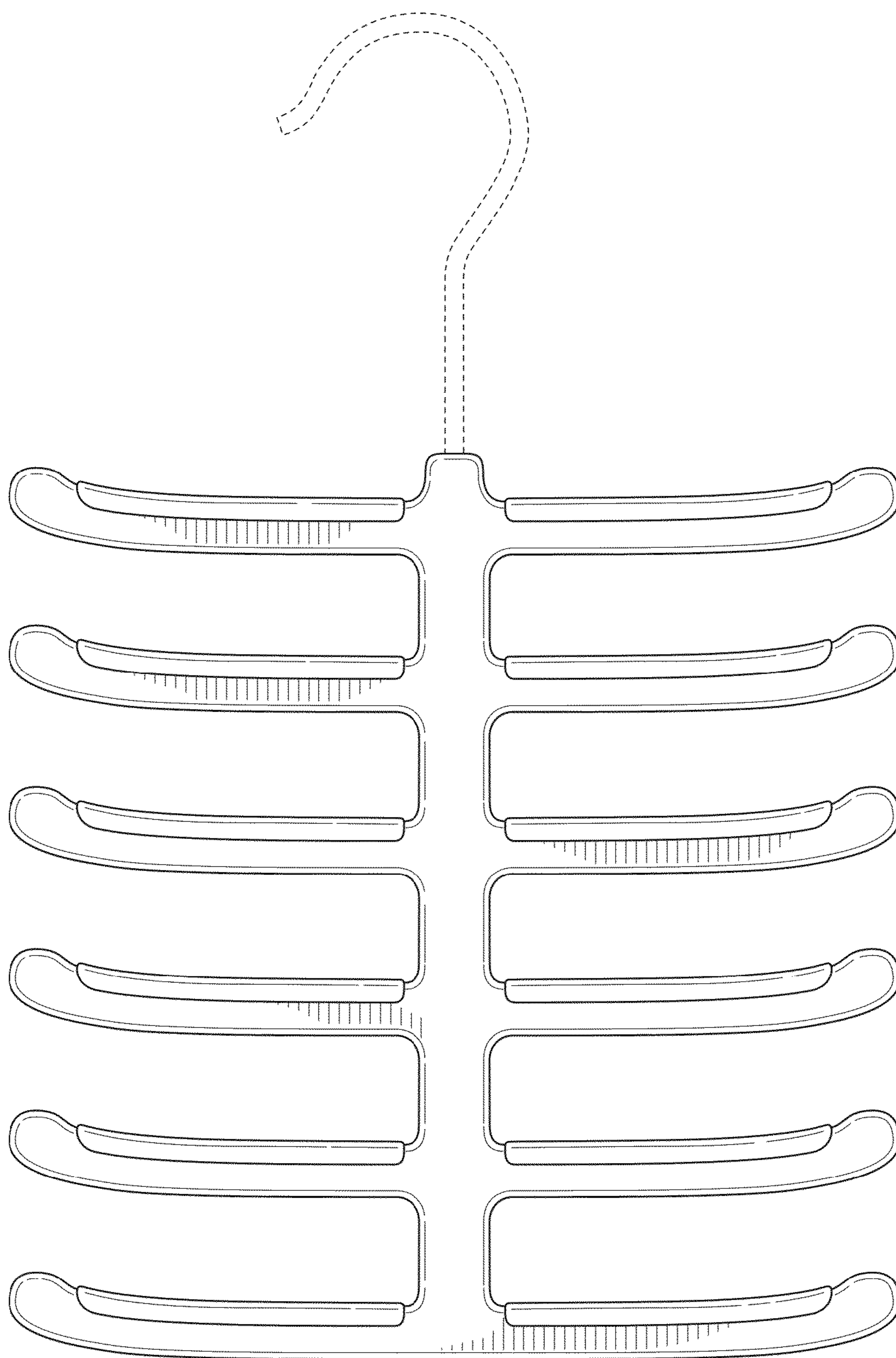


FIG. 2



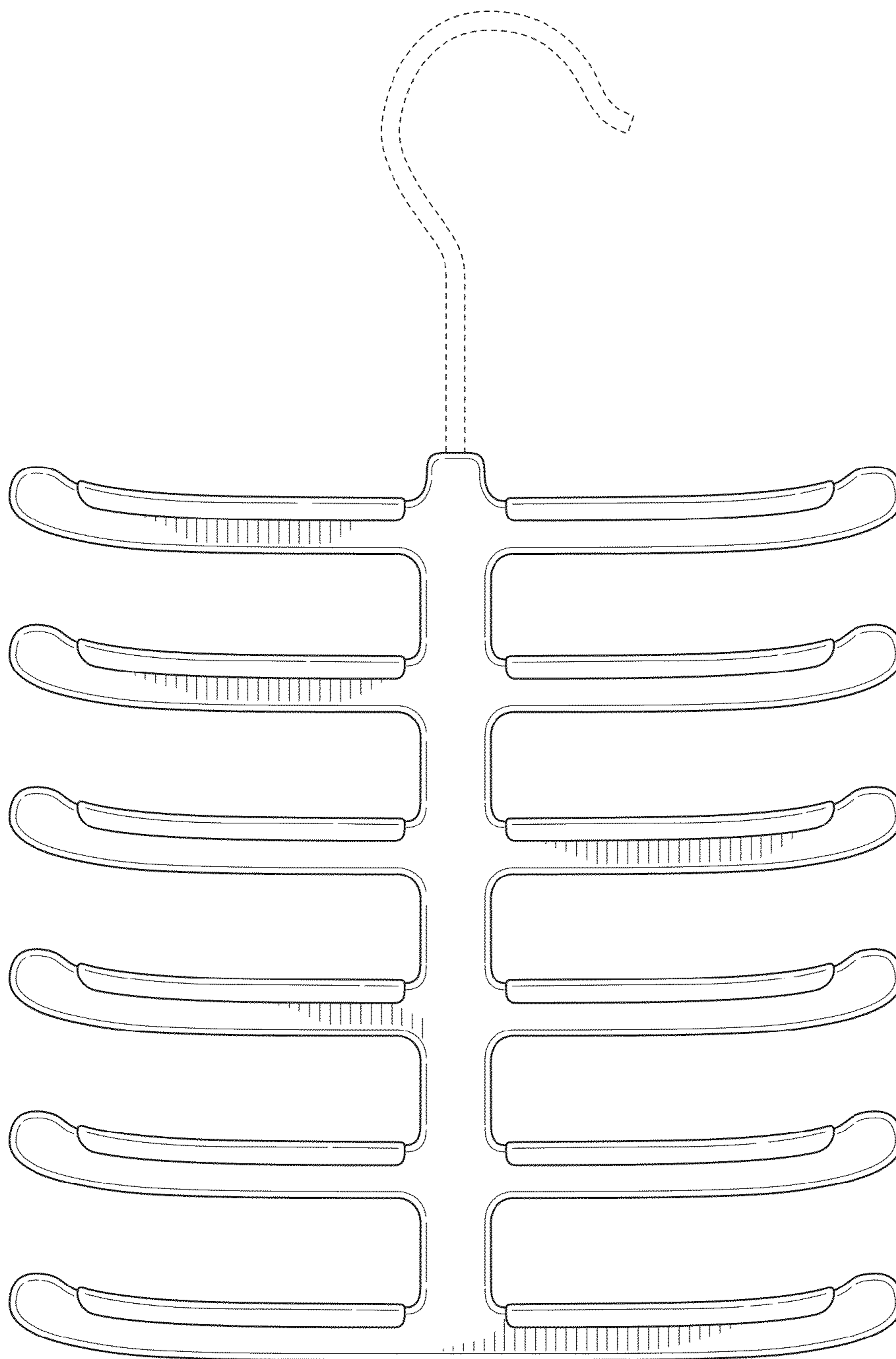


FIG. 3

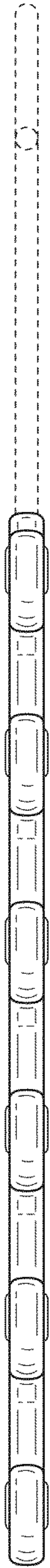


FIG. 4



FIG. 5

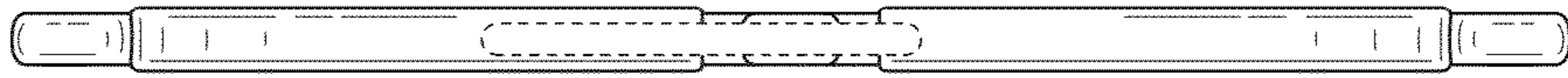


FIG. 6

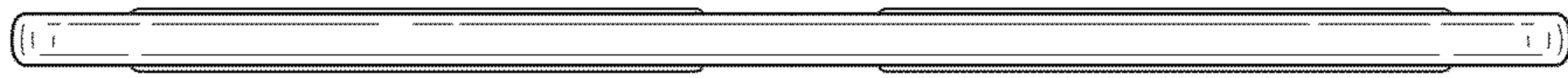


FIG. 7