



US00D688464S

(12) **United States Design Patent**
Hara

(10) **Patent No.:** **US D688,464 S**

(45) **Date of Patent:** **** Aug. 27, 2013**

(54) **ELECTRIC TOOTHBRUSH**

(71) Applicant: **Panasonic Corporation**, Kadoma (JP)

(72) Inventor: **Shigehito Hara**, Kyoto (JP)

(73) Assignee: **Panasonic Corporation**, Osaka (JP)

(**) Term: **14 Years**

(21) Appl. No.: **29/444,224**

(22) Filed: **Jan. 28, 2013**

(51) **LOC (9) Cl.** **28-03**

(52) **U.S. Cl.**
USPC **D4/101; D4/138**

(58) **Field of Classification Search**
USPC D4/100-102, 104-112, 134, 138;
15/143.1, 145, 167.1, 167.2; 132/308-311;
601/95, 109, 114, 142; D8/61; D24/133,
D24/144, 146, 147, 152; D28/58; 81/57.11,
81/57.14, 57.31, 57.42
See application file for complete search history.

(56) **References Cited**

U.S. PATENT DOCUMENTS

D453,222 S * 1/2002 Garito et al. D24/144
(Continued)

FOREIGN PATENT DOCUMENTS

JP D1164831 S 2/2003
JP 1230876 S * 2/2005
JP D1311233 S 10/2007

OTHER PUBLICATIONS

DE 40400262-0001 Registered Design, (WIK Far East Ltd.) May 25, 2004, [online], [retrieved on Oct. 23, 2010]. Retrieved from the

Designs Register of the German Patent and Trade Mark Office using the Internet: <URL: <http://register.dmpa.de>>.*

(Continued)

Primary Examiner — Melanie H Tung

Assistant Examiner — Lavone D Tabor

(74) *Attorney, Agent, or Firm* — Brinks Hofer & Gilson & Lione

(57) **CLAIM**

I claim the ornamental design for an electric toothbrush, as shown described.

DESCRIPTION

FIG. 1 is a front perspective view of a first embodiment of an electric toothbrush of the present invention;

FIG. 2 is a front view thereof;

FIG. 3 is a first side view thereof;

FIG. 4 is a second side view thereof;

FIG. 5 is a top view thereof;

FIG. 6 is a rear view thereof;

FIG. 7 is a bottom view thereof;

FIG. 8 is a cross-section view taken along the line 8-8 of FIG. 2;

FIG. 9 is a cross-section view taken along the line 9-9 of FIG. 2;

FIG. 10 is a front perspective view of a second embodiment of an electric toothbrush of the present invention;

FIG. 11 is a front view thereof;

FIG. 12 is a first side view thereof;

FIG. 13 is a second side view thereof;

FIG. 14 is a top view thereof;

FIG. 15 is a rear view thereof;

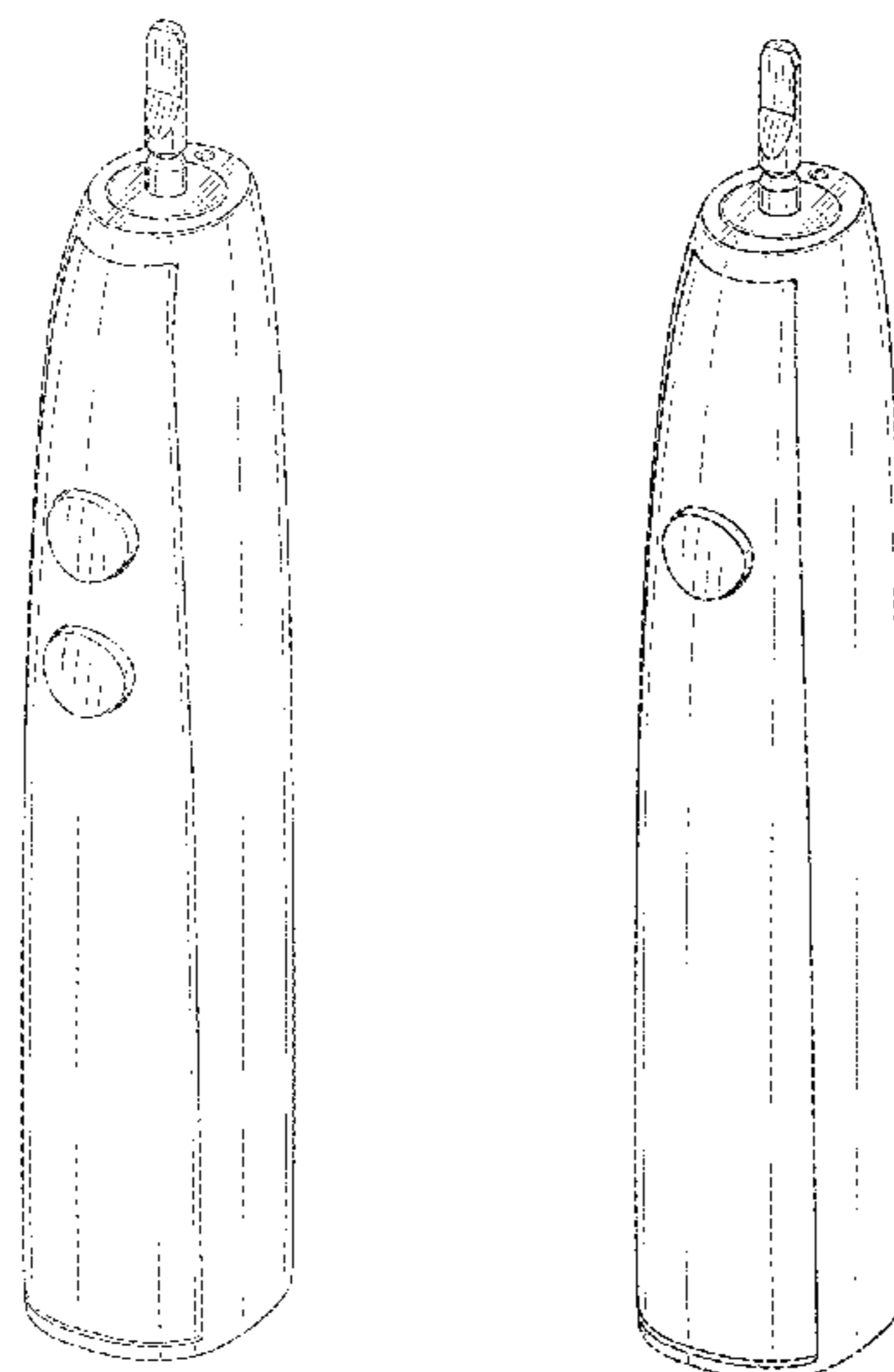
FIG. 16 is a bottom view thereof;

FIG. 17 is a cross-section view taken along the line 17-17 of FIG. 11; and,

FIG. 18 is a cross-section view taken along the line 18-18 of FIG. 11.

The broken lines shown represent unclaimed subject matter and form no part of the claimed design.

1 Claim, 10 Drawing Sheets



(56)

References Cited

U.S. PATENT DOCUMENTS

D457,726	S	5/2002	Tse	
D476,485	S *	7/2003	Mulder et al.	D4/101
D478,423	S *	8/2003	Mulder et al.	D4/101
D500,209	S *	12/2004	Kellogg	D4/102
D599,555	S *	9/2009	Oliphant	D4/101
D658,382	S *	5/2012	Heil et al.	D4/101

OTHER PUBLICATIONS

EM 1787714-0003 Registered Design, (Koninklijke Philips Electronics N. V.) Dec. 3, 2010, [online], [retrieved on Apr. 13, 2013] Retrieved from the Community Design Database of the Office for Harmonization in the Internal Market using the Internet: <URL: <http://oami.europa.eu>>.*

* cited by examiner

FIG.1

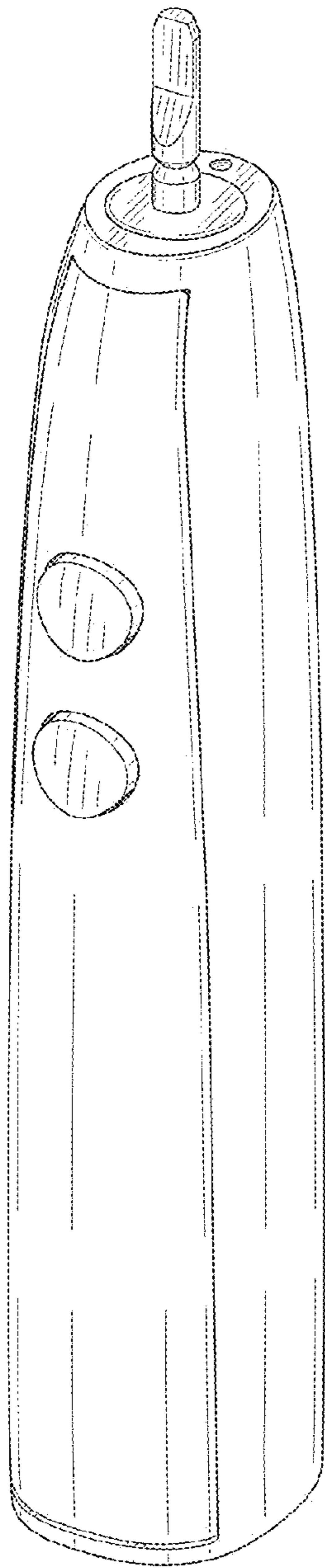


FIG.2

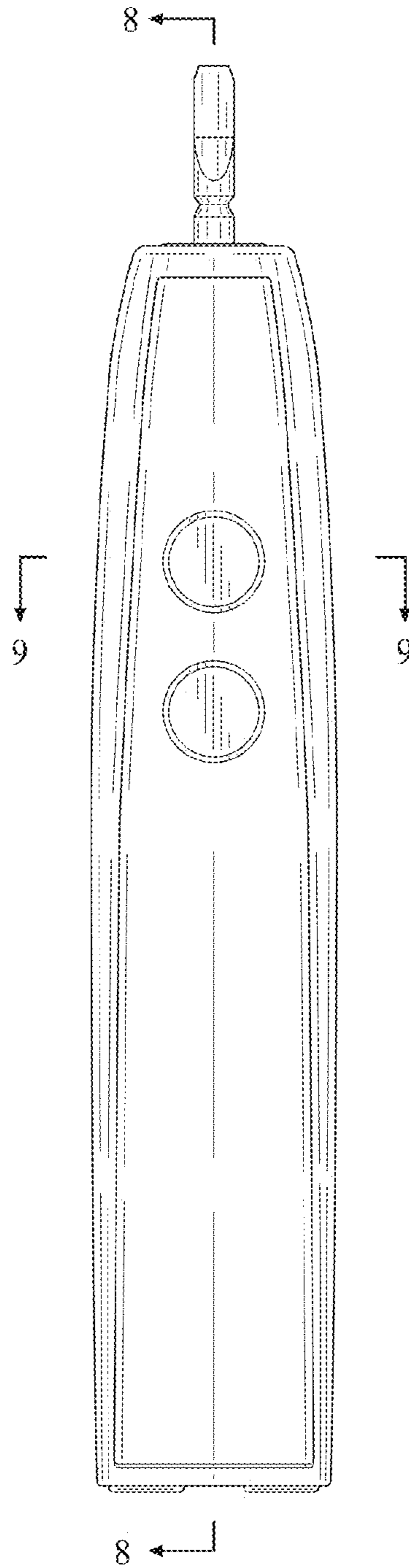


FIG.3

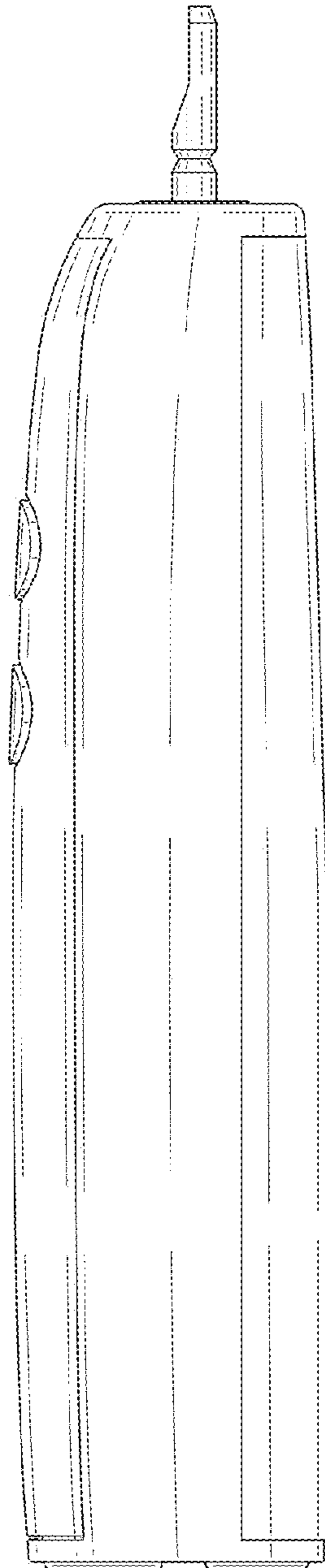


FIG.4

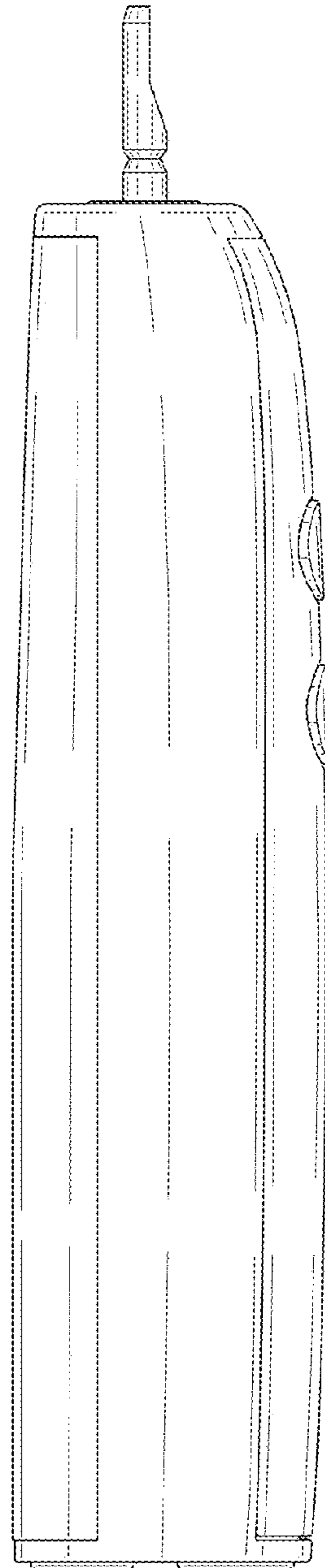


FIG.5

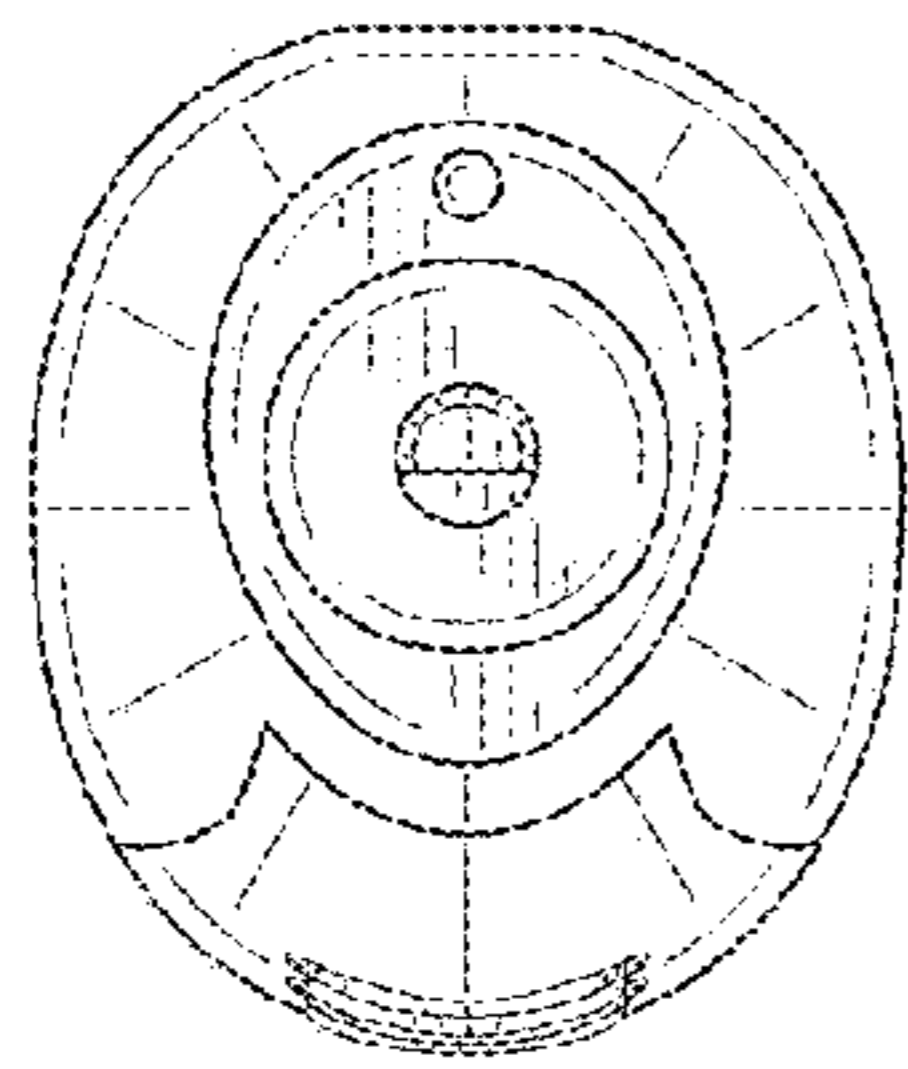


FIG.6

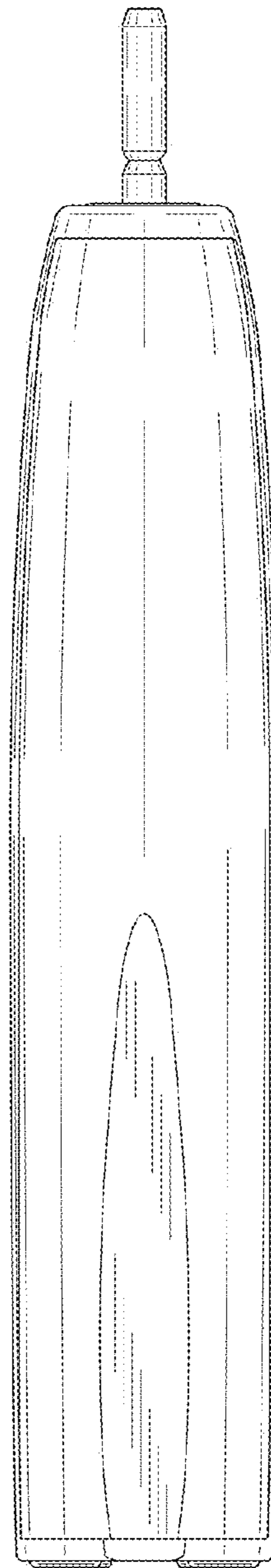


FIG. 7

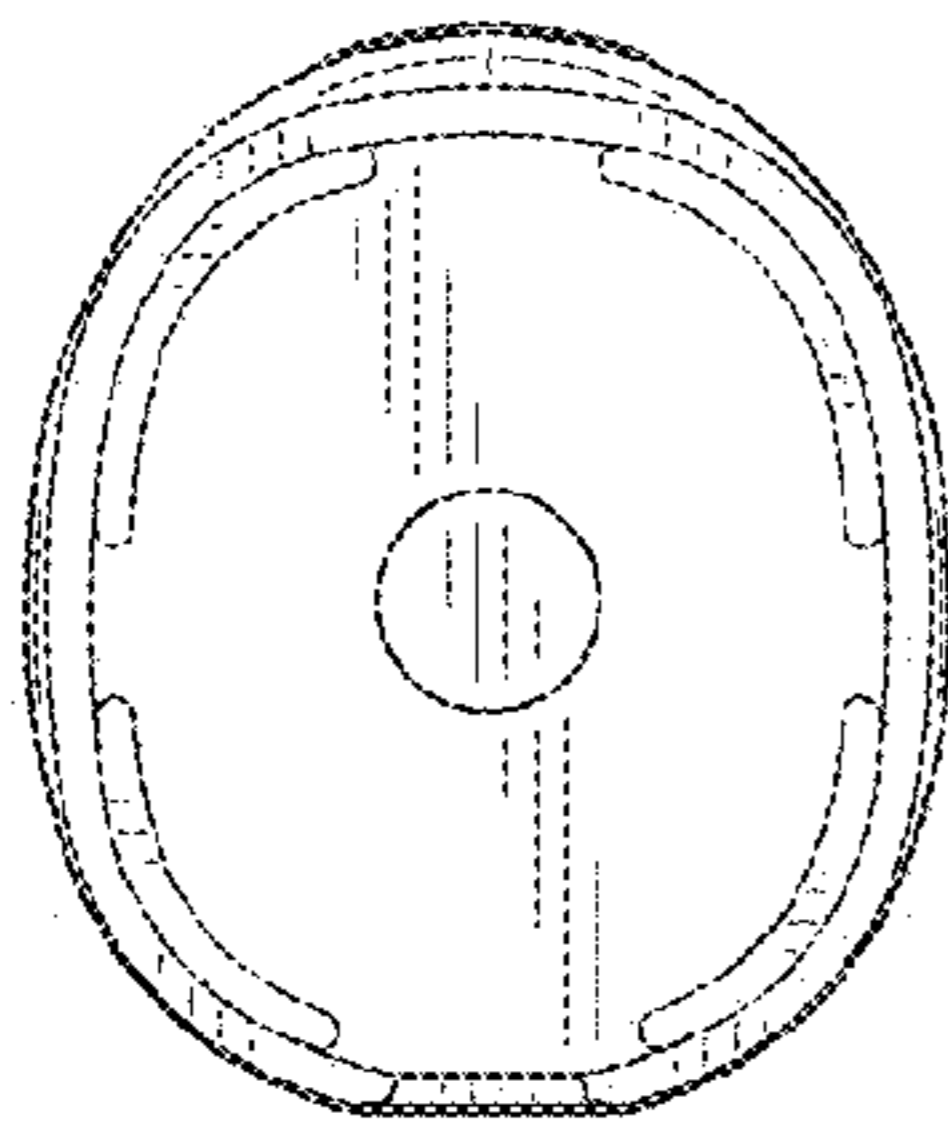


FIG. 8

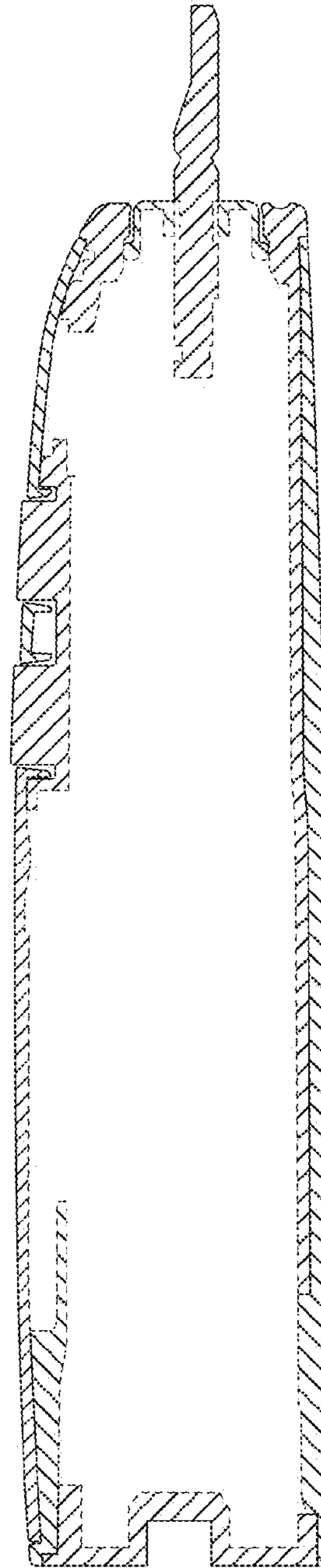


FIG.9

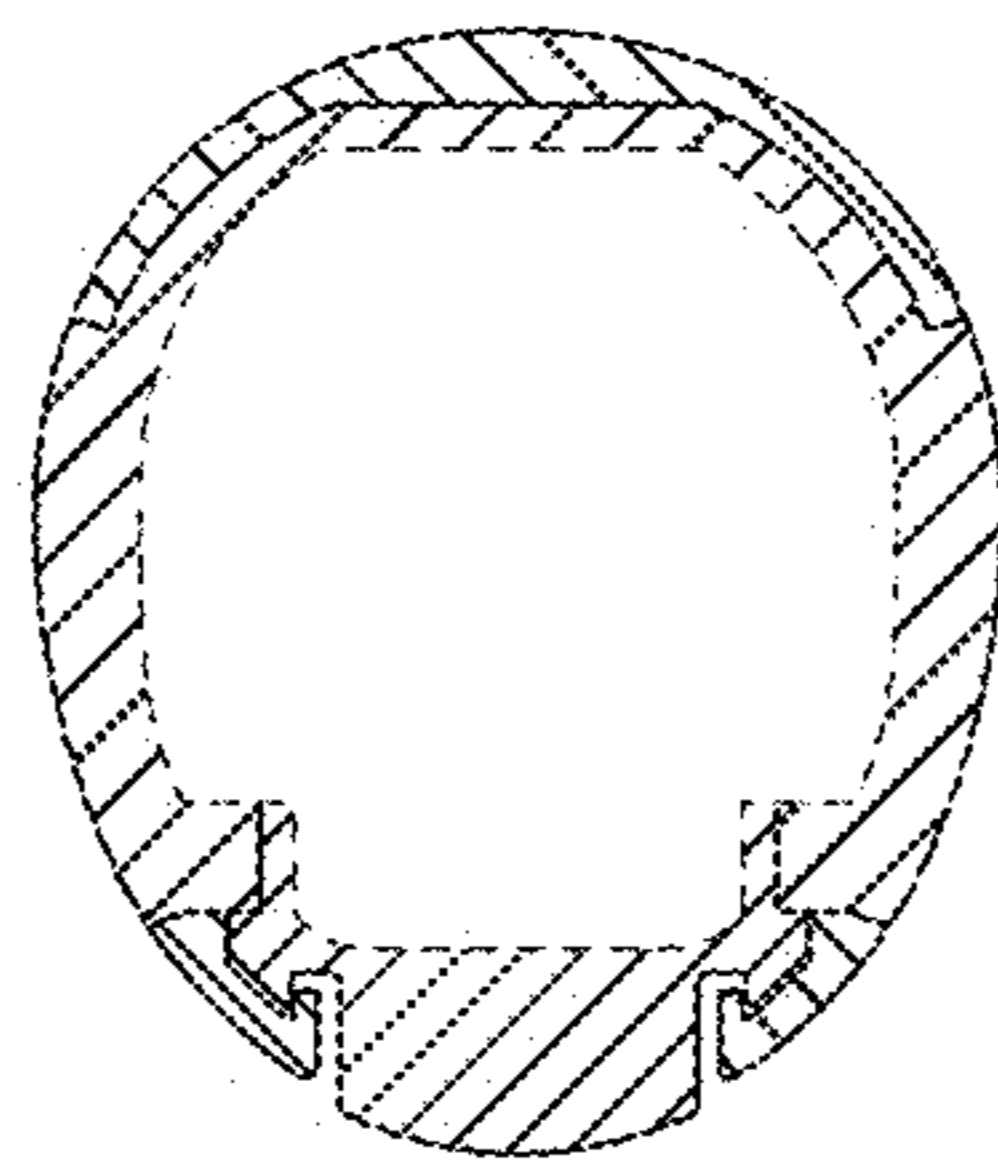


FIG.10

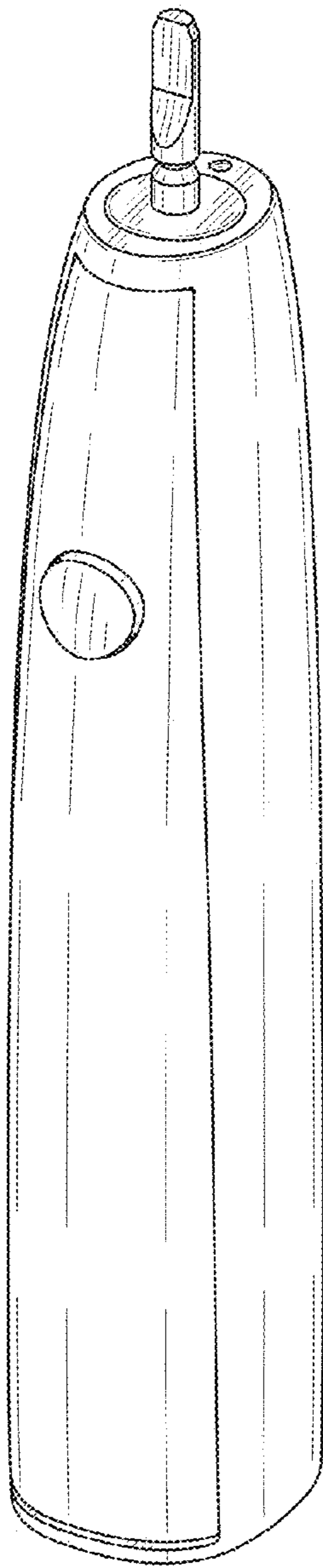


FIG.11

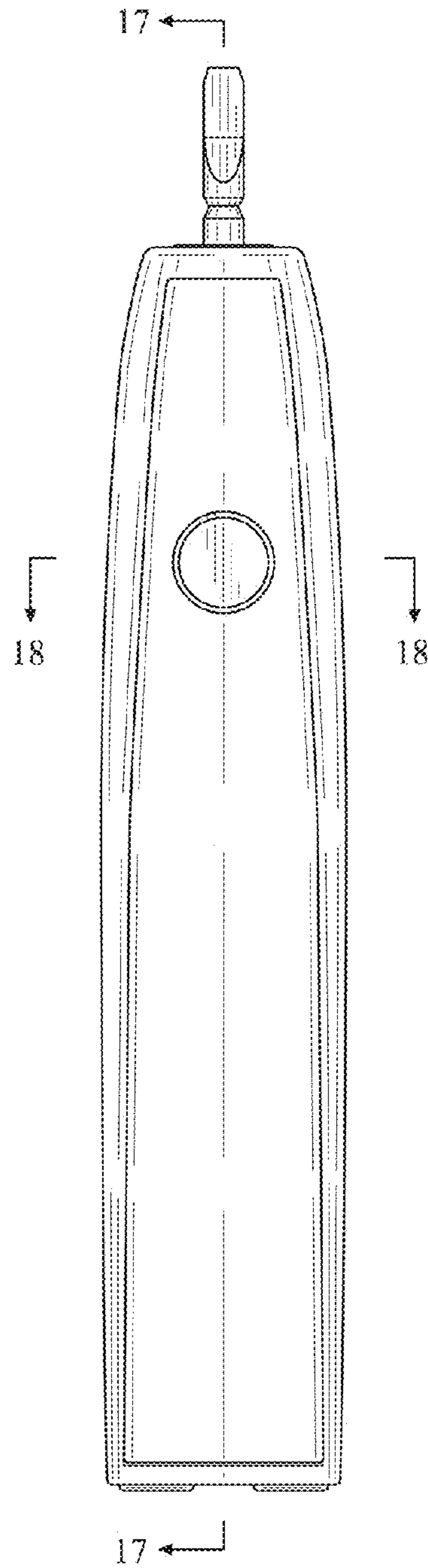


FIG.12

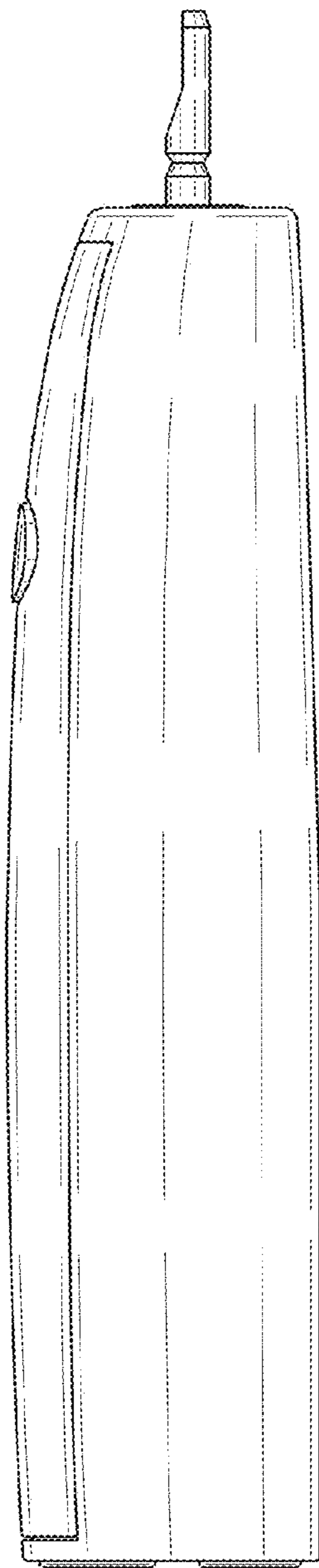


FIG.13

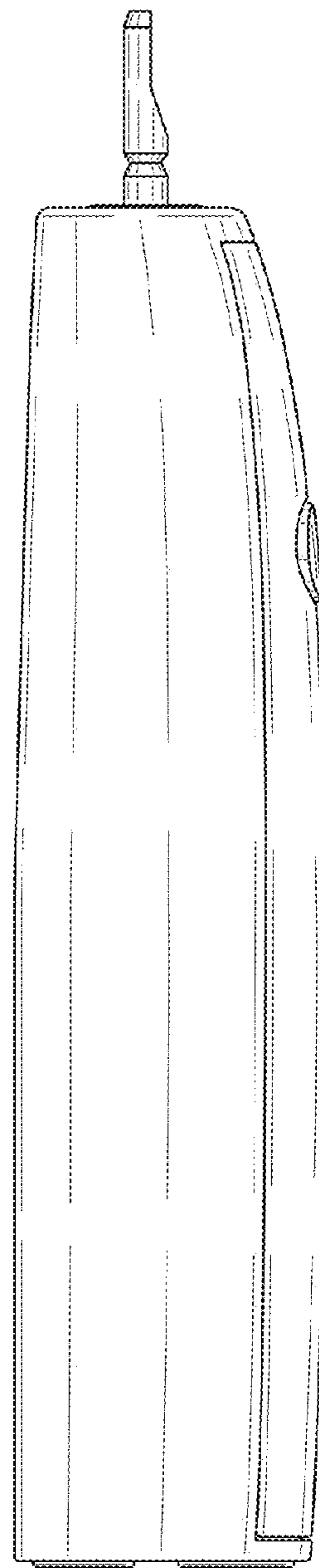


FIG.14

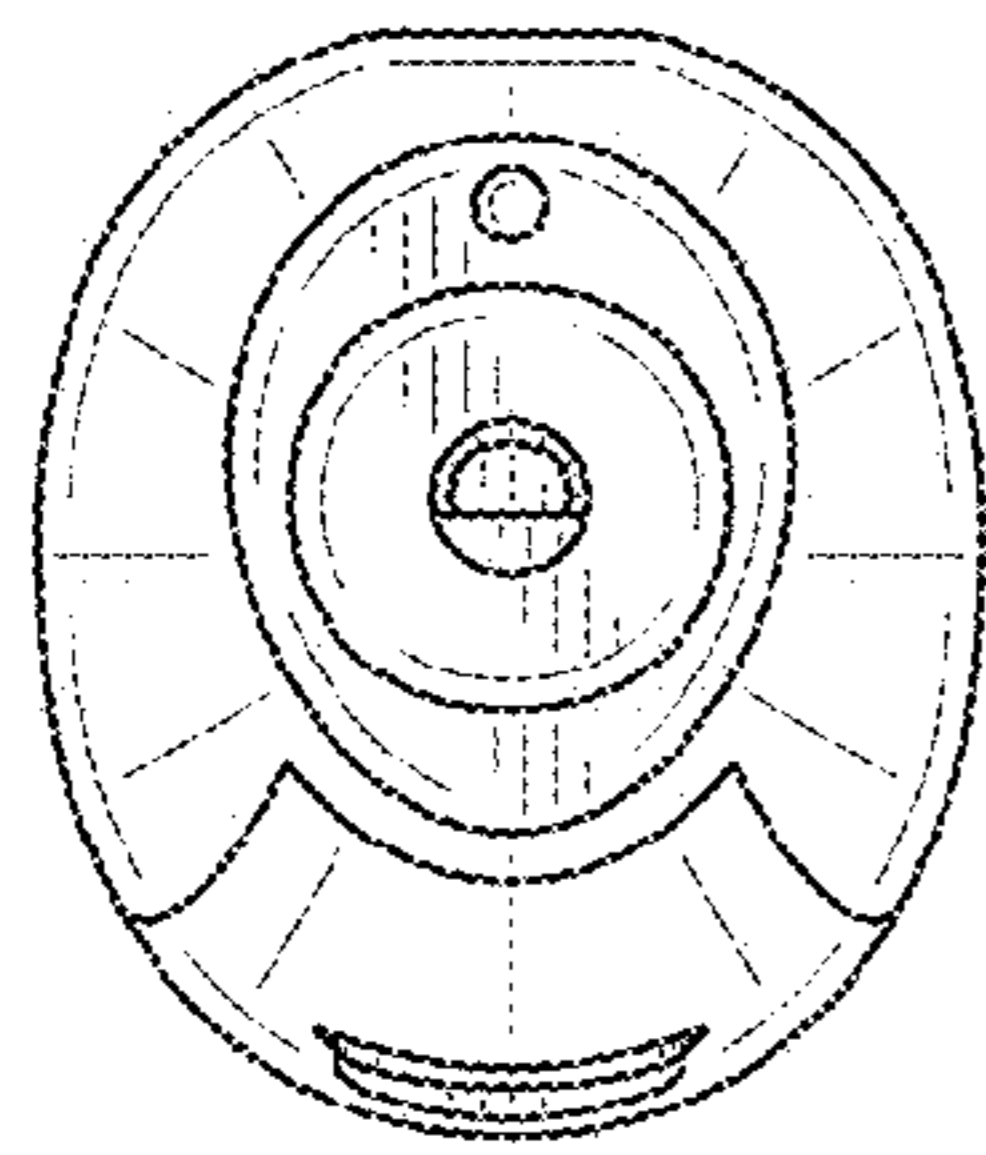


FIG.15

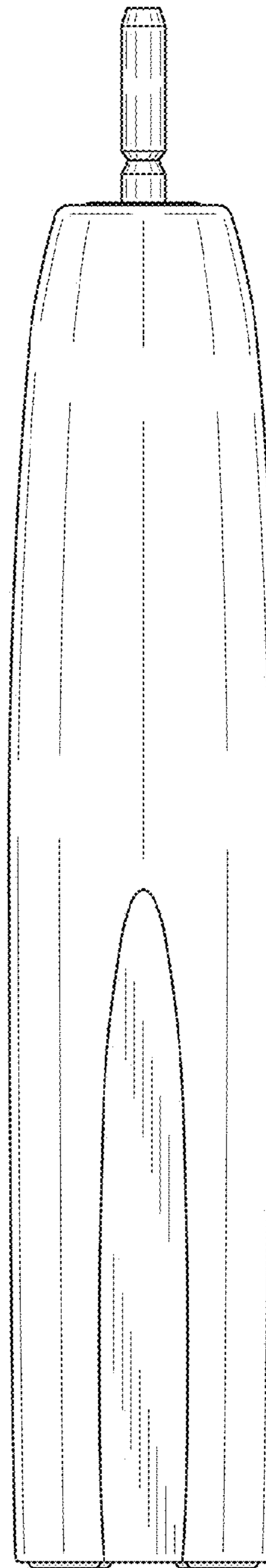


FIG.16

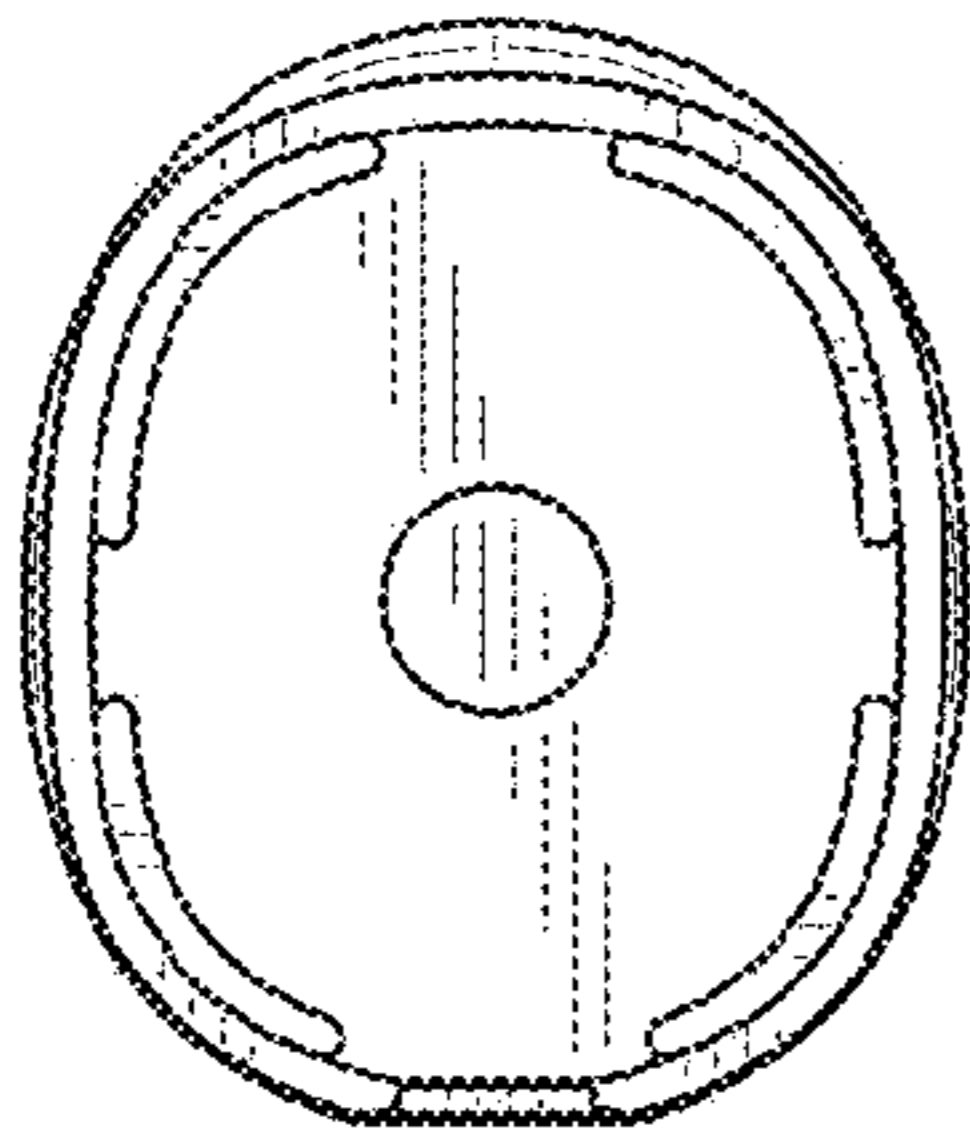


FIG.17

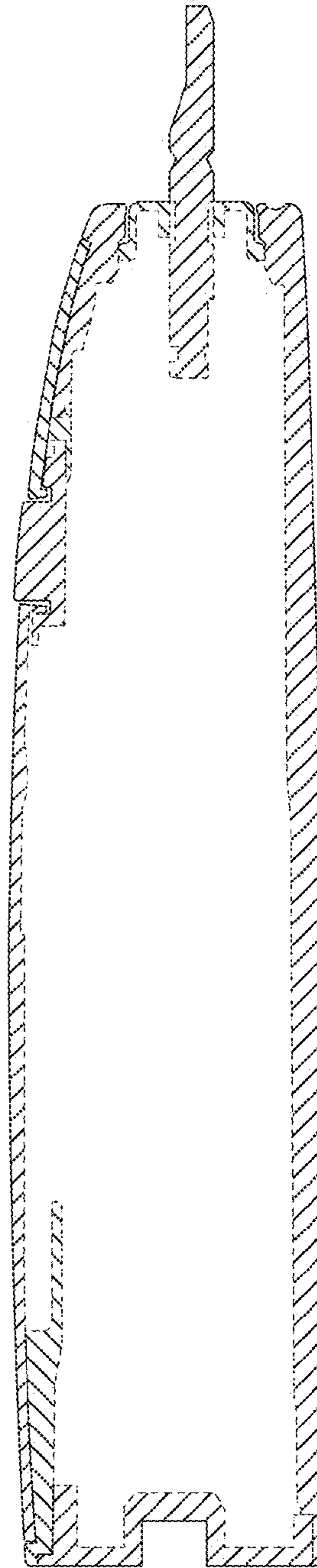


FIG.18

