



US00D688463S

(12) **United States Design Patent**
Seidner et al.

(10) **Patent No.:** **US D688,463 S**

(45) **Date of Patent:** **** Aug. 27, 2013**

(54) **GOLF BAG TOP**

(56) **References Cited**

(75) Inventors: **David Seidner**, Los Angeles, CA (US);
Catherine Batista, Del Mar, CA (US);
Alfredo Marquez, Oceanside, CA (US);
Yasu Oba, Carlsbad, CA (US)

U.S. PATENT DOCUMENTS

D501,604	S	*	2/2005	Kadoya	D3/320
6,877,604	B2	*	4/2005	Pratt et al.	206/315.6
D515,316	S	*	2/2006	Chang	D3/320
D530,922	S	*	10/2006	Anderson	D3/320
D577,916	S	*	10/2008	Quartarone et al.	D3/320
D580,656	S	*	11/2008	Quartarone et al.	D3/320
D613,064	S	*	4/2010	Quartarone et al.	D3/320
D649,356	S	*	11/2011	Loudenslager et al.	D3/320

(73) Assignee: **Callaway Golf Company**, Carlsbad, CA (US)

* cited by examiner

(**) Term: **14 Years**

Primary Examiner — Sandra Snapp

(21) Appl. No.: **29/425,663**

(74) *Attorney, Agent, or Firm* — Rebecca Hanovice;
Michael A. Catania; Sonia Lari

(22) Filed: **Jun. 26, 2012**

(57) **CLAIM**

The ornamental design for a golf bag top, as shown and described.

(51) **LOC (9) Cl.** **03-01**

DESCRIPTION

(52) **U.S. Cl.**

USPC **D3/320**

(58) **Field of Classification Search**

USPC D3/234, 255, 271.9, 320, 256, 262,
D3/279, 299, 301, 303, 318, 319, 273, 289,
D3/292, 294–296, 232, 244; D9/424, 420;
D27/189; 206/349; 220/833; 312/902;
190/100; 150/159, 160, 163; 280/DIG. 6;
473/282, 287; 211/70.2

FIG. 1 is a top perspective view of a golf bag top as claimed herein;

FIG. 2 is a top plan view thereof;

FIG. 3 is a bottom plan view thereof;

FIG. 4 is a right side view thereof;

FIG. 5 is a left side view thereof; and

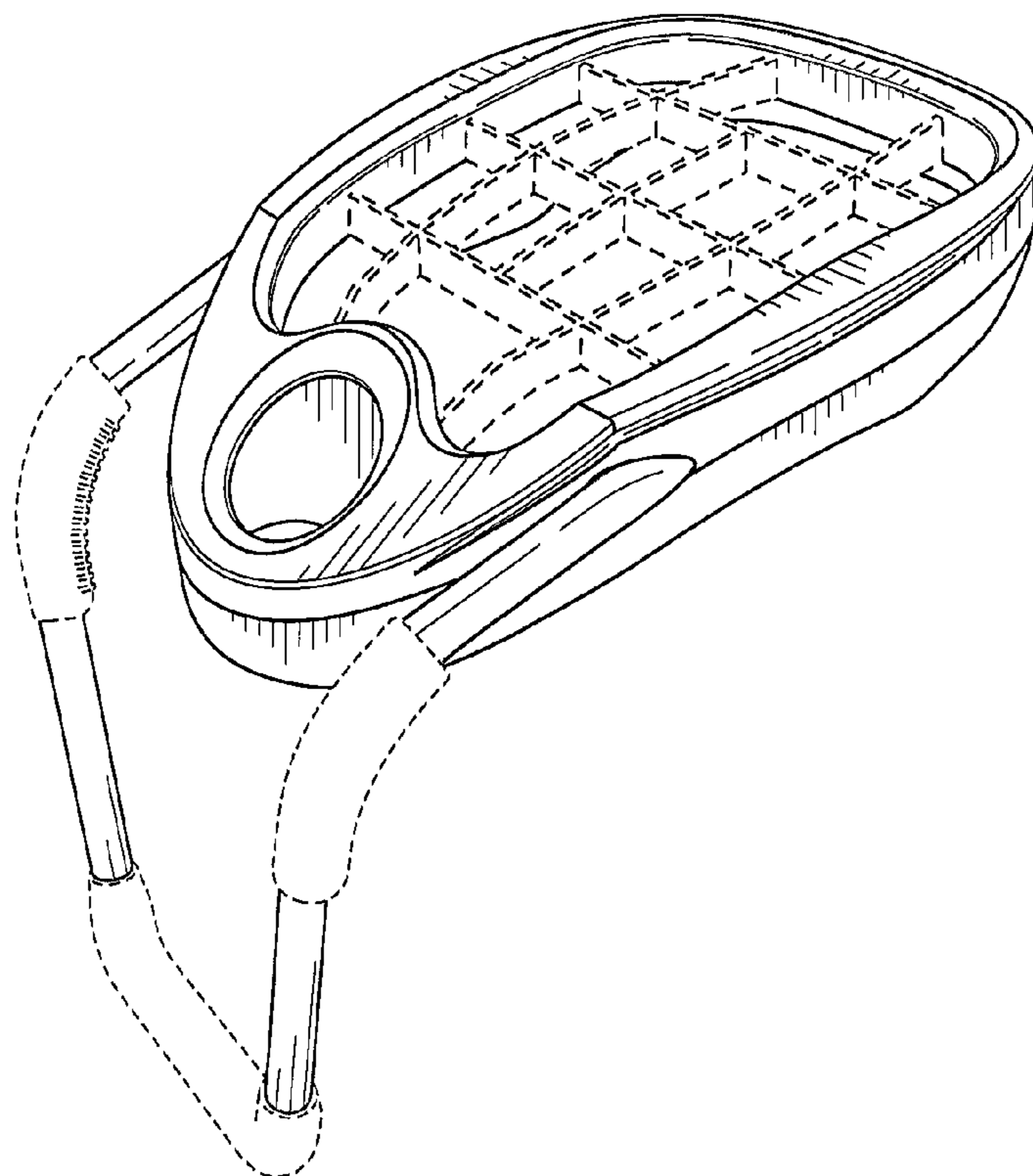
FIG. 6 is a front perspective view thereof; and,

FIG. 7 is a back perspective view thereof.

The broken lines showing are included for the purpose of illustration and forms no part of the claimed design.

See application file for complete search history.

1 Claim, 4 Drawing Sheets



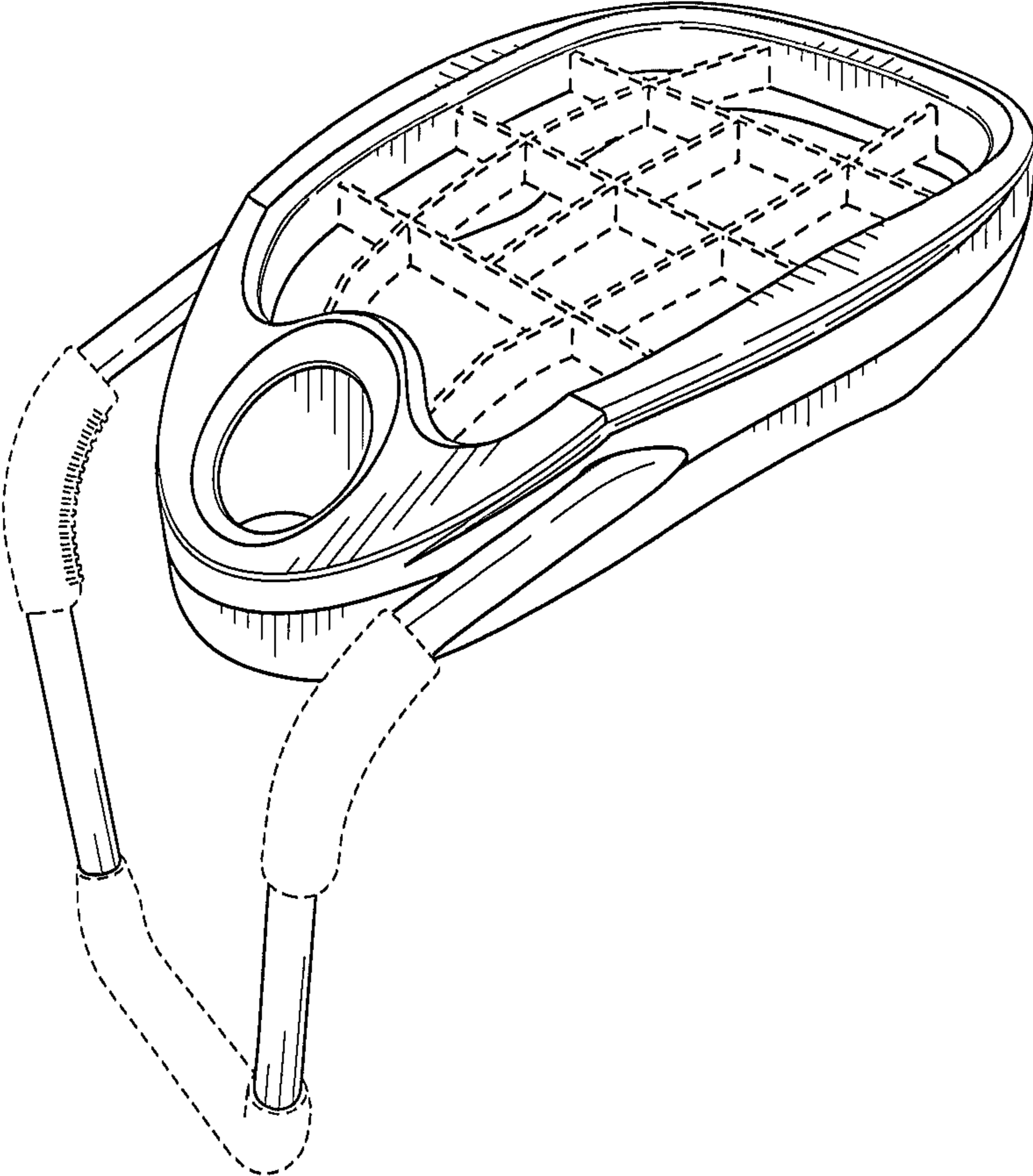


FIG. 1

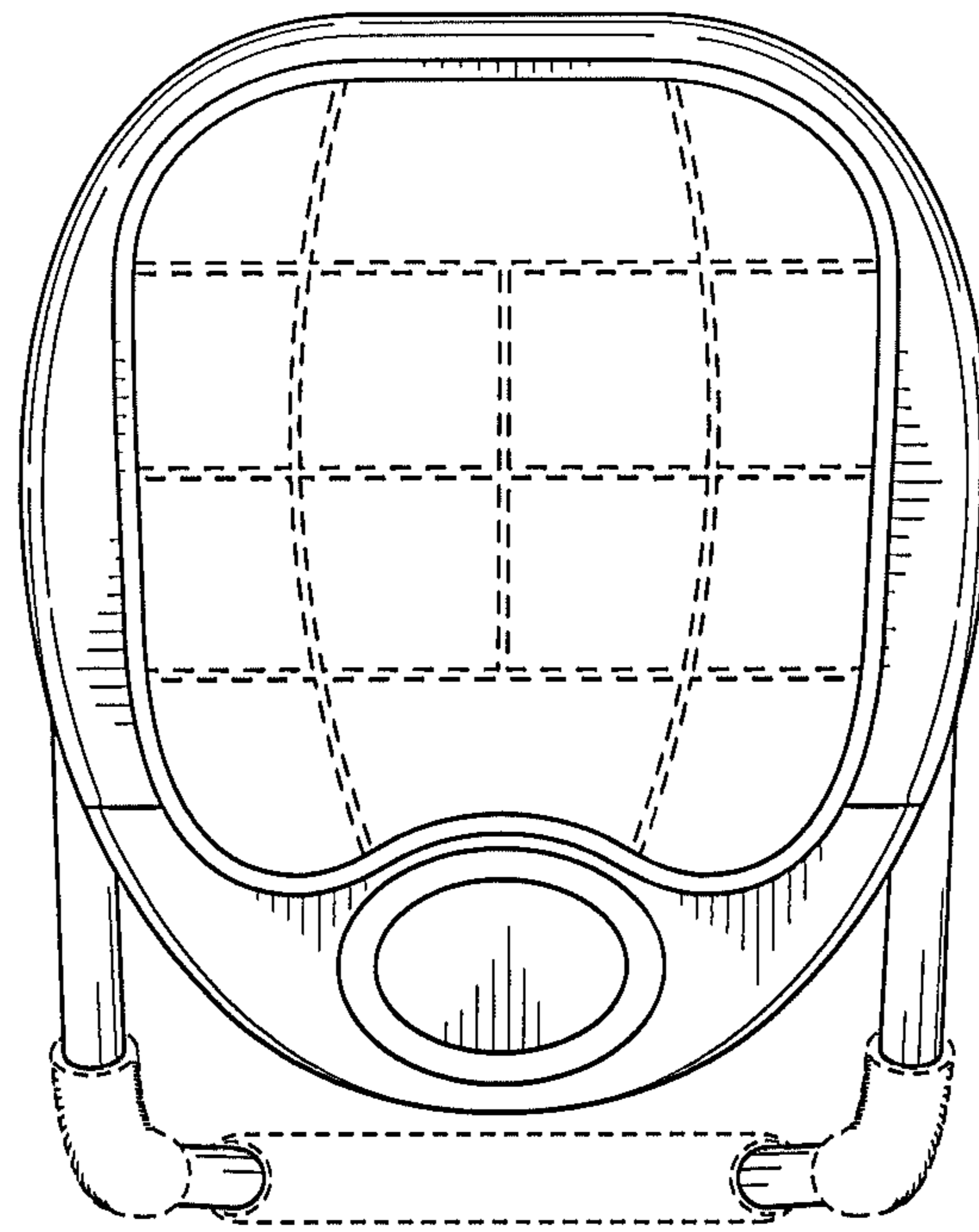


FIG. 2

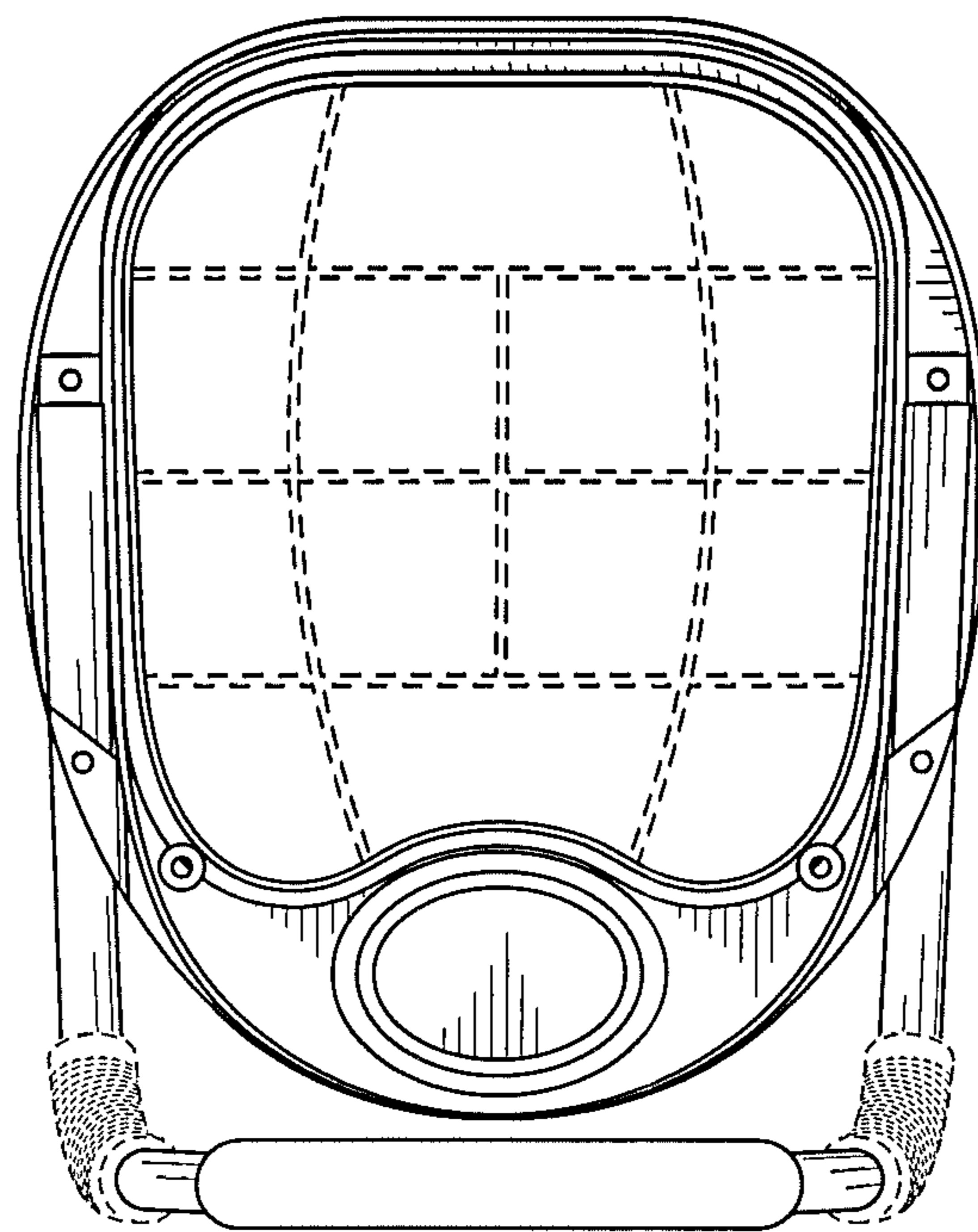


FIG. 3

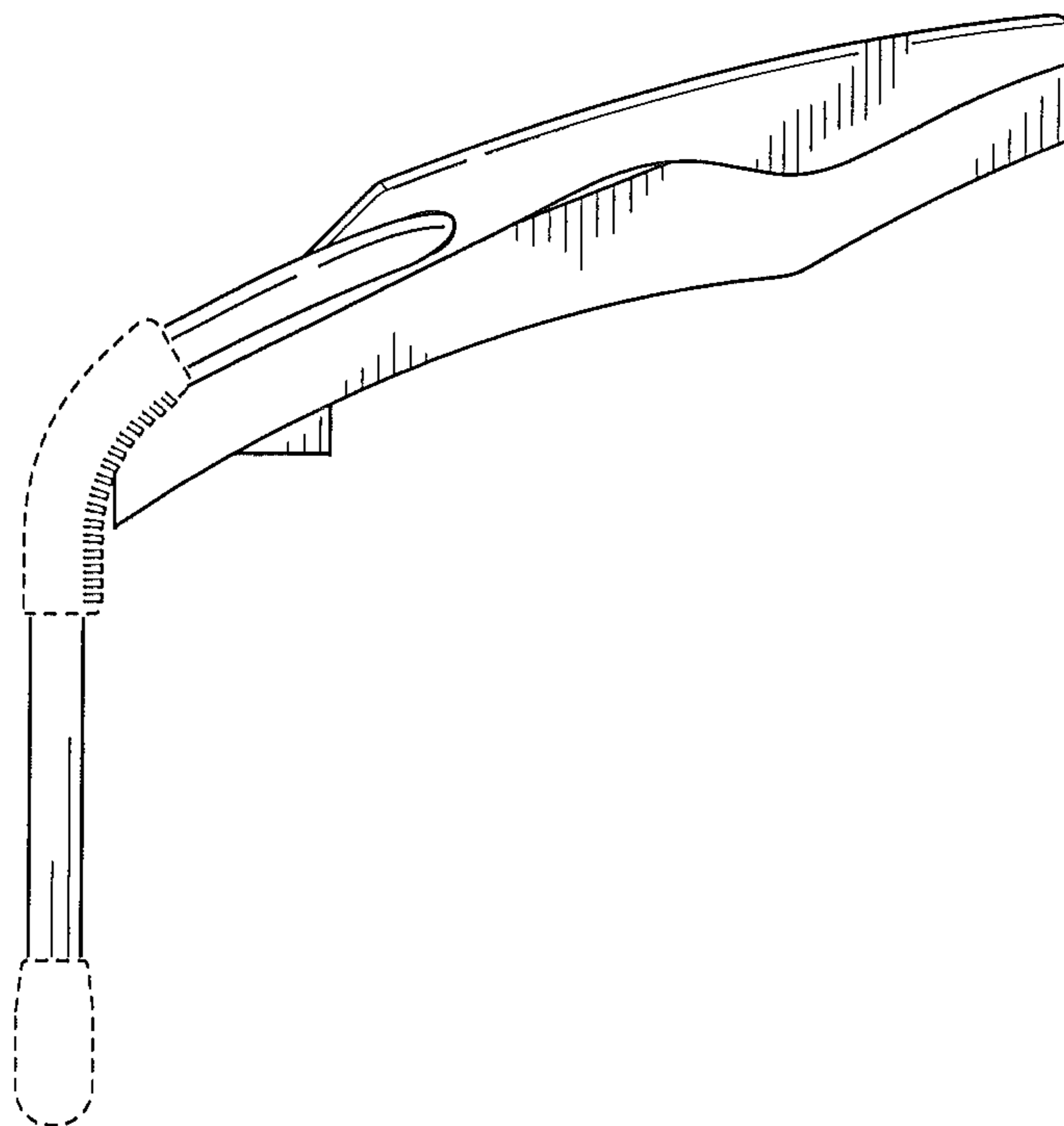


FIG. 4

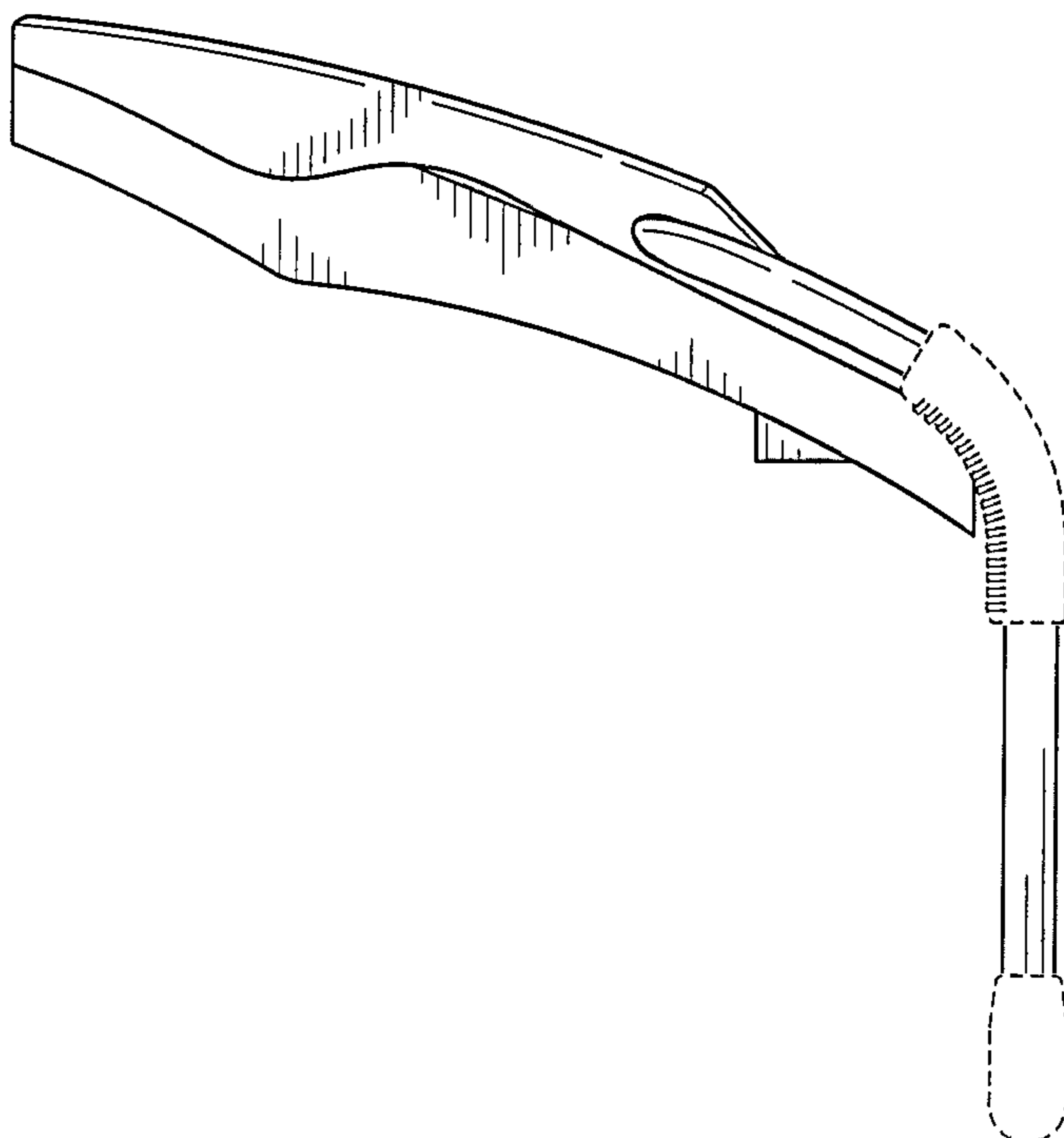


FIG. 5

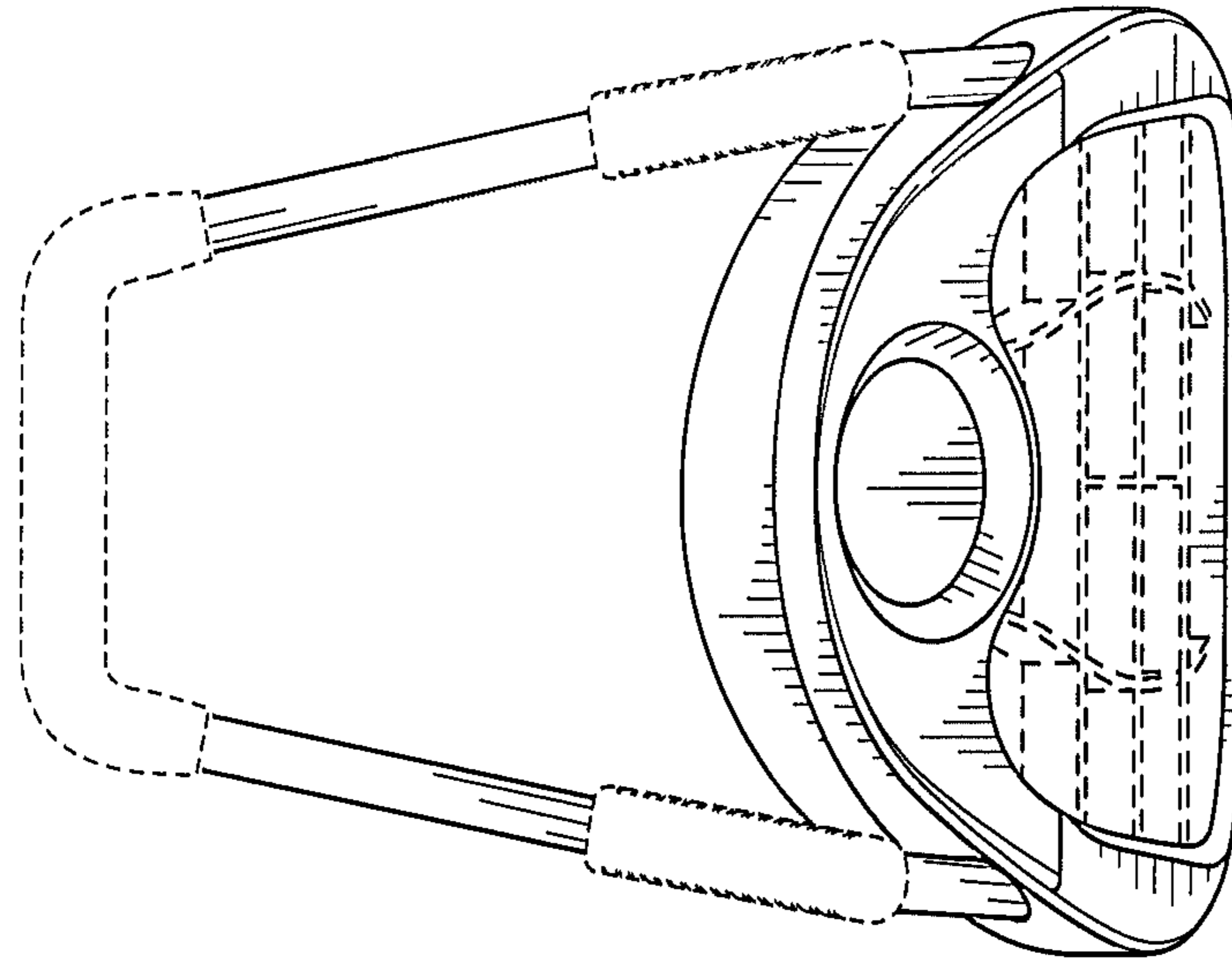


FIG. 6

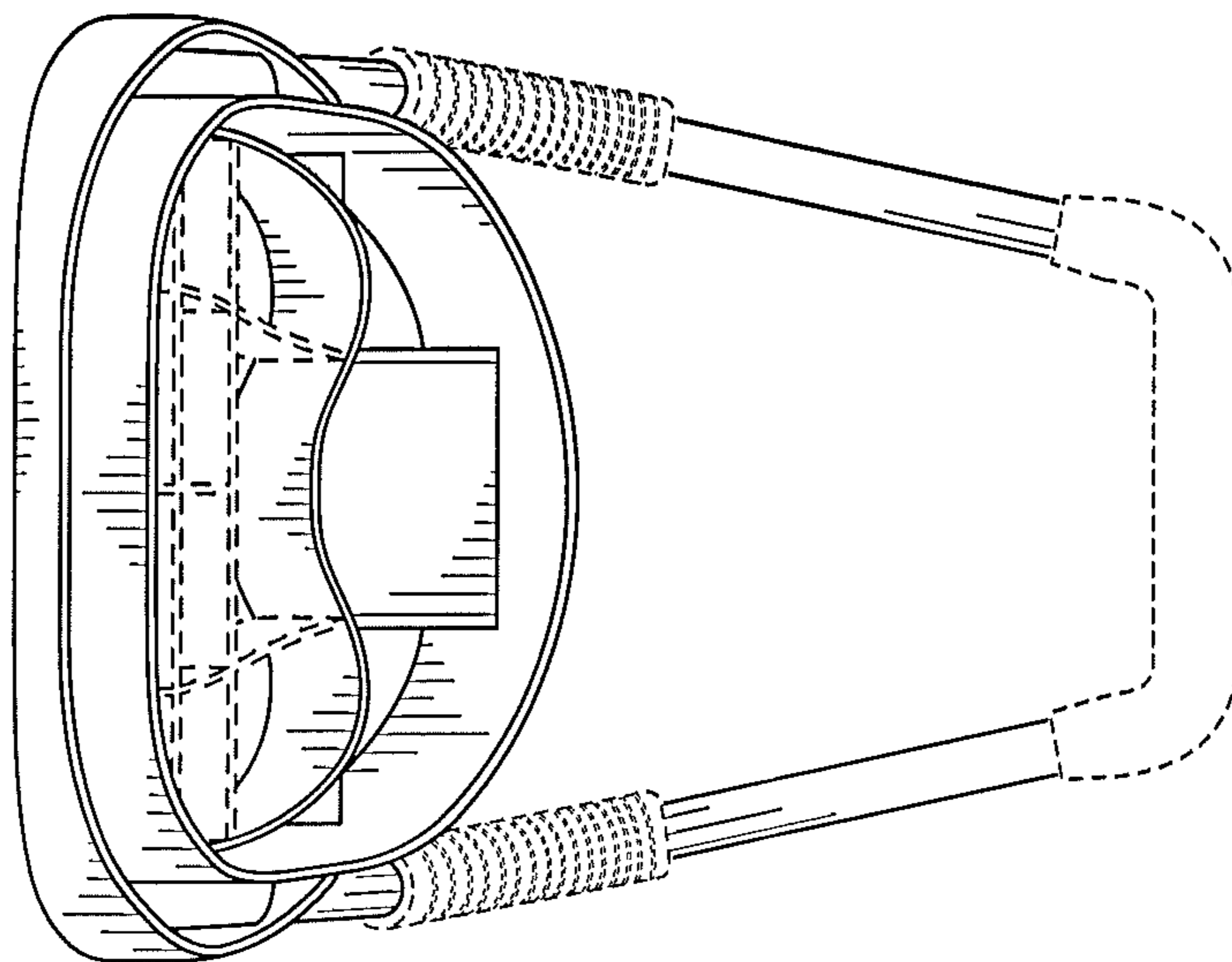


FIG. 7