



US00D688462S

(12) **United States Design Patent**
Kinsky et al.

(10) **Patent No.:** **US D688,462 S**

(45) **Date of Patent:** **** *Aug. 27, 2013**

(54) **SCREWDRIVER CADDY WITH DRILL BIT
HOLDER**

(75) Inventors: **Terrence P. Kinsky**, Alpharetta, GA
(US); **Matthew G. Williams**, Lighthouse
Point, FL (US)

(73) Assignee: **LF Centennial Limited**, Tortola (VG)

(*) Notice: This patent is subject to a terminal dis-
claimer.

(**) Term: **14 Years**

(21) Appl. No.: **29/392,679**

(22) Filed: **May 25, 2011**

(51) **LOC (9) Cl.** **03-01**

(52) **U.S. Cl.**
USPC **D3/315; D3/228**

(58) **Field of Classification Search**
USPC .. D3/228, 226, 224, 215, 315; 206/372-378;
224/236-240, 245, 667, 904
See application file for complete search history.

(56) **References Cited**

U.S. PATENT DOCUMENTS

D131,029 S *	1/1942	Russell	D3/228
D257,090 S *	9/1980	King, Jr.	D3/228
D313,889 S *	1/1991	Gakhar et al.	D3/228
D414,331 S *	9/1999	Lichtenberger	D3/228

D433,229 S *	11/2000	Harker et al.	D3/228
D455,901 S *	4/2002	Snider	D3/228
D480,867 S *	10/2003	Snider et al.	D3/228
D512,562 S *	12/2005	Tsuda	D3/228
D538,528 S *	3/2007	Dawson	D3/203.1

* cited by examiner

Primary Examiner — Catheri Oliver-Garcia

(74) *Attorney, Agent, or Firm* — Duane Morris LLP; J.
Rodman Steele, Jr.; Gregory M. Lefkowitz

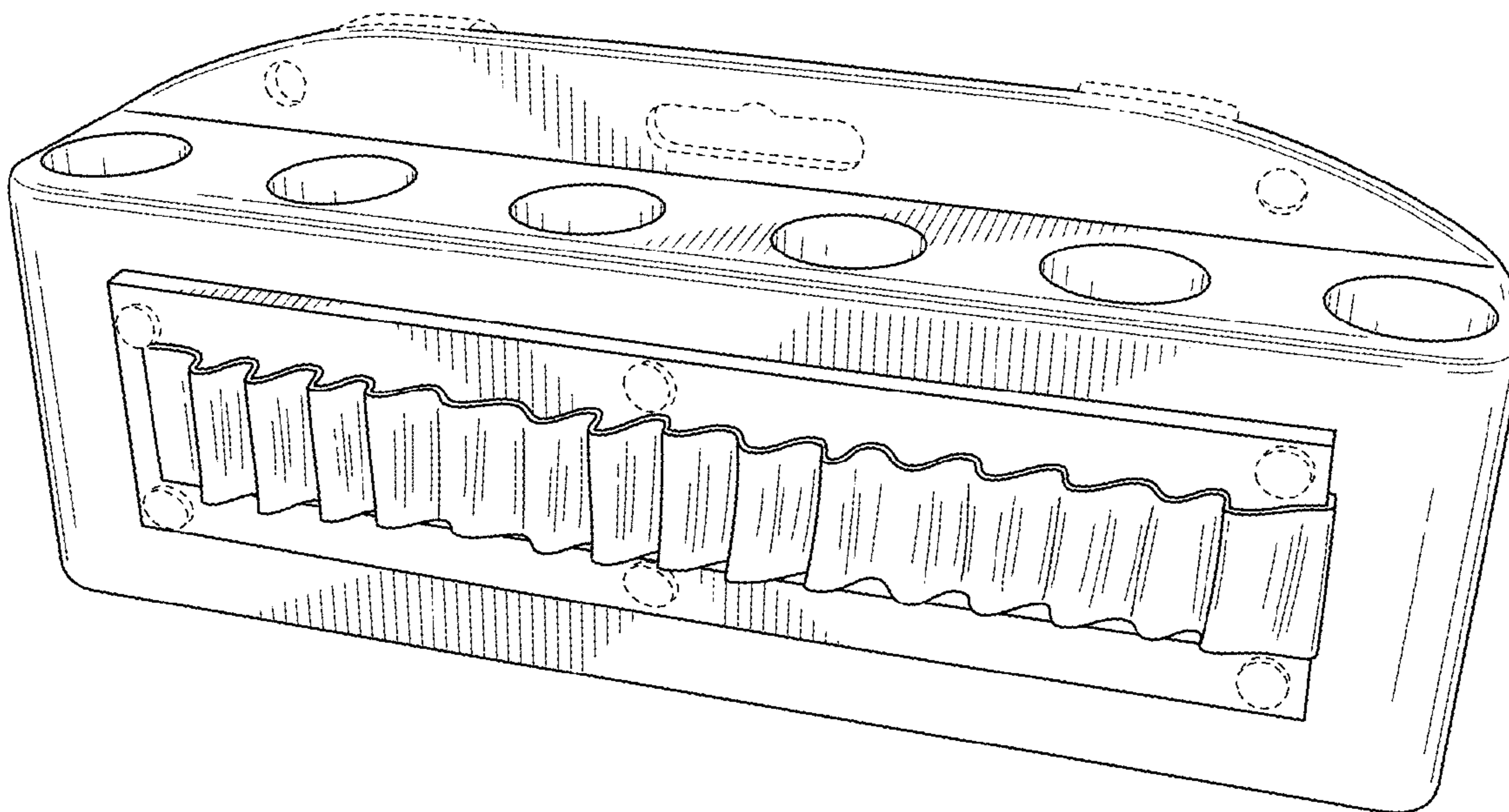
(57) **CLAIM**

The ornamental design for a screwdriver caddy with drill bit
holder, as shown and described.

DESCRIPTION

FIG. 1 is a perspective view of our ornamental design;
FIG. 2 is a front elevation view of the ornamental design of
FIG. 1;
FIG. 3 is a rear elevation view of the ornamental design of
FIG. 1;
FIG. 4 is a top view of the ornamental design of FIG. 1;
FIG. 5 is a bottom view of the ornamental design of FIG. 1;
FIG. 6 is a left view of the ornamental design of FIG. 1;
FIG. 7 is a right view of the ornamental design of FIG. 1;
FIG. 8 is a cross-sectional view of the ornamental design of
FIG. 1 taken along cut line 8-8 of FIG. 4; and,
FIG. 9 is a front environmental view of the ornamental design.
The broken lines are included for purposes of illustrating
environment and form no part of the claimed design.

1 Claim, 8 Drawing Sheets



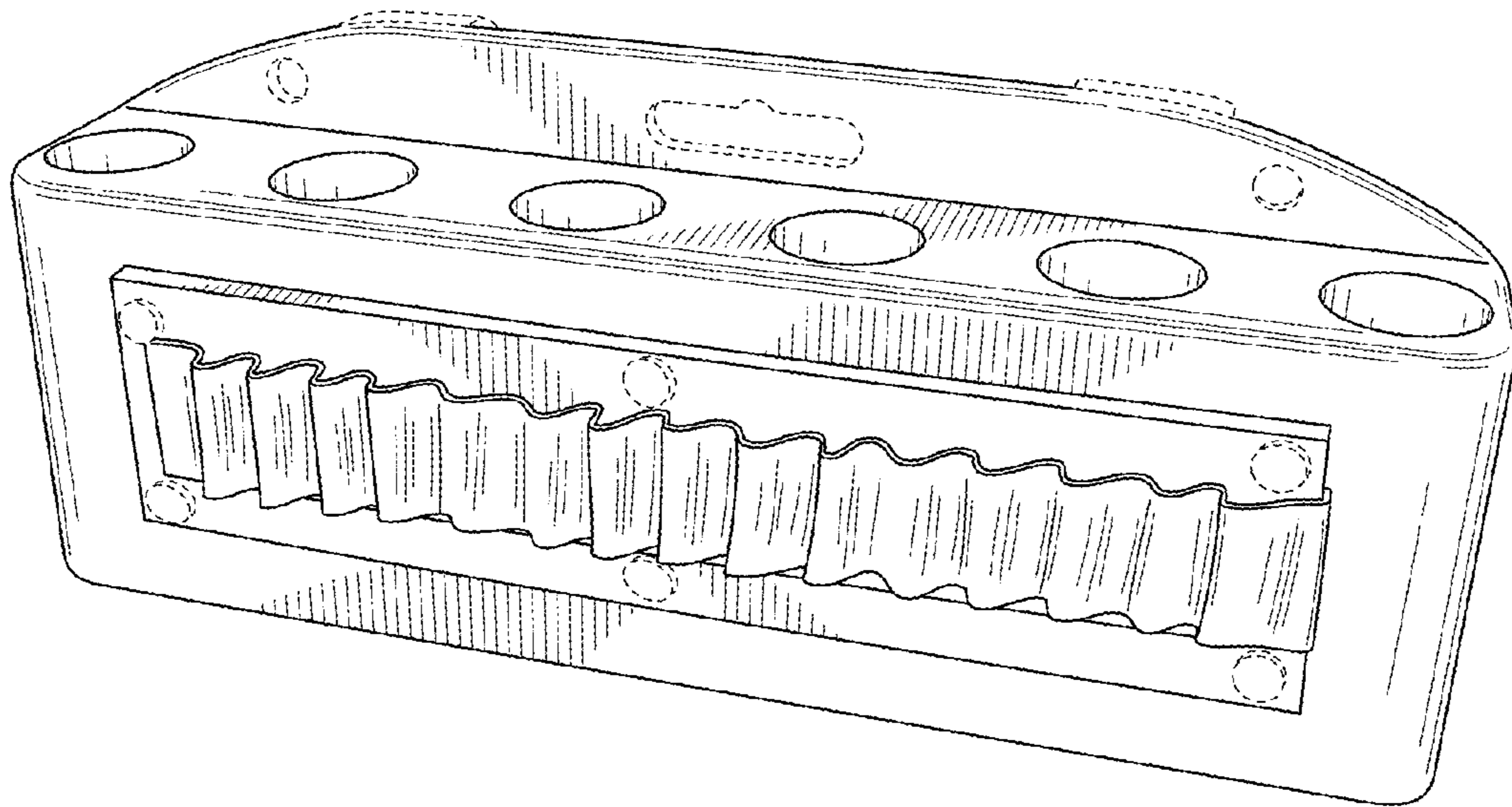


FIG. 1

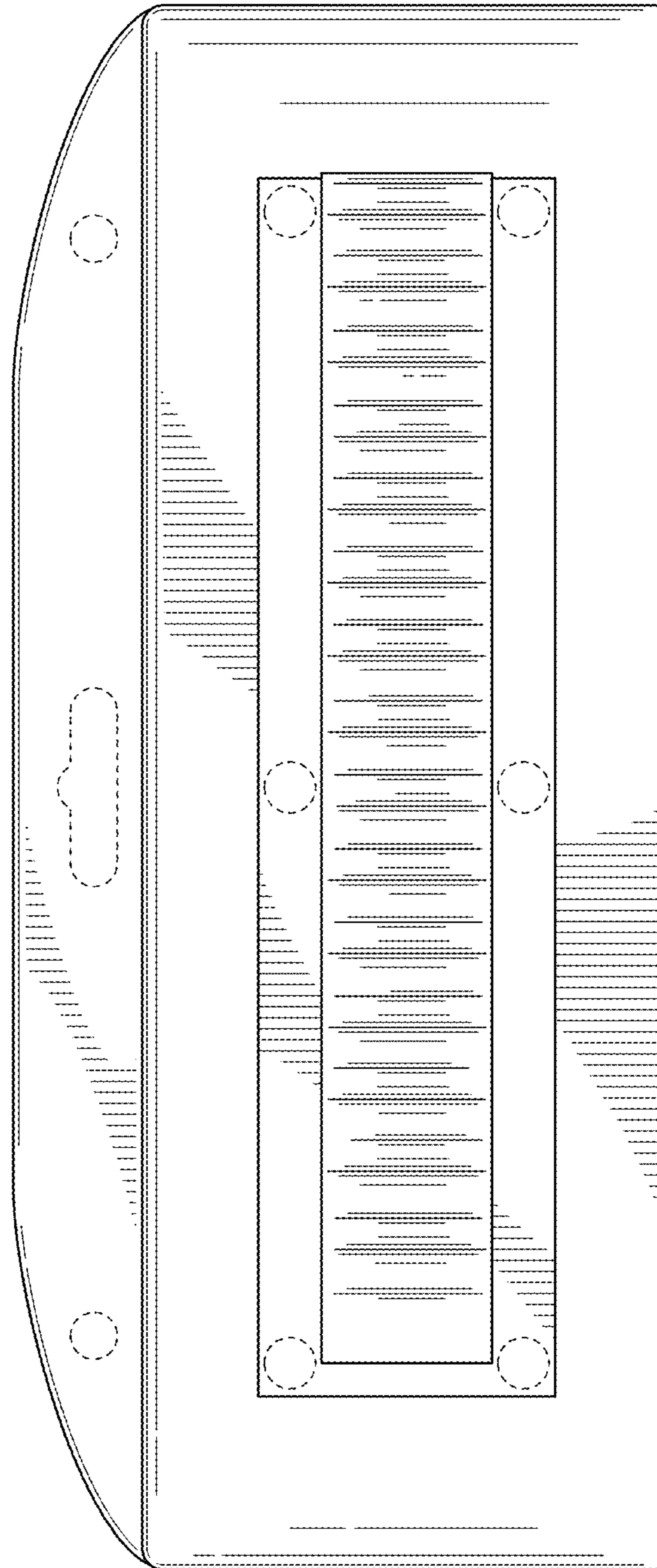


FIG. 2

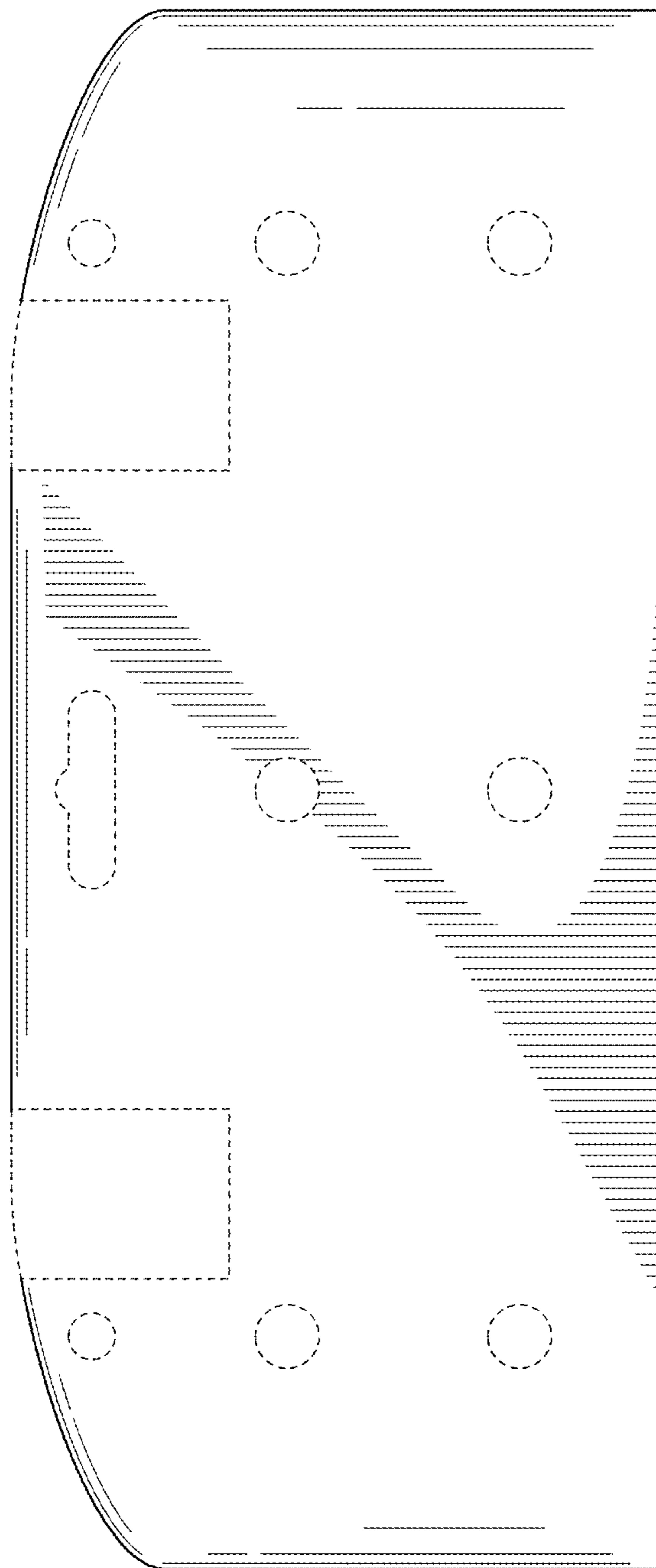


FIG. 3

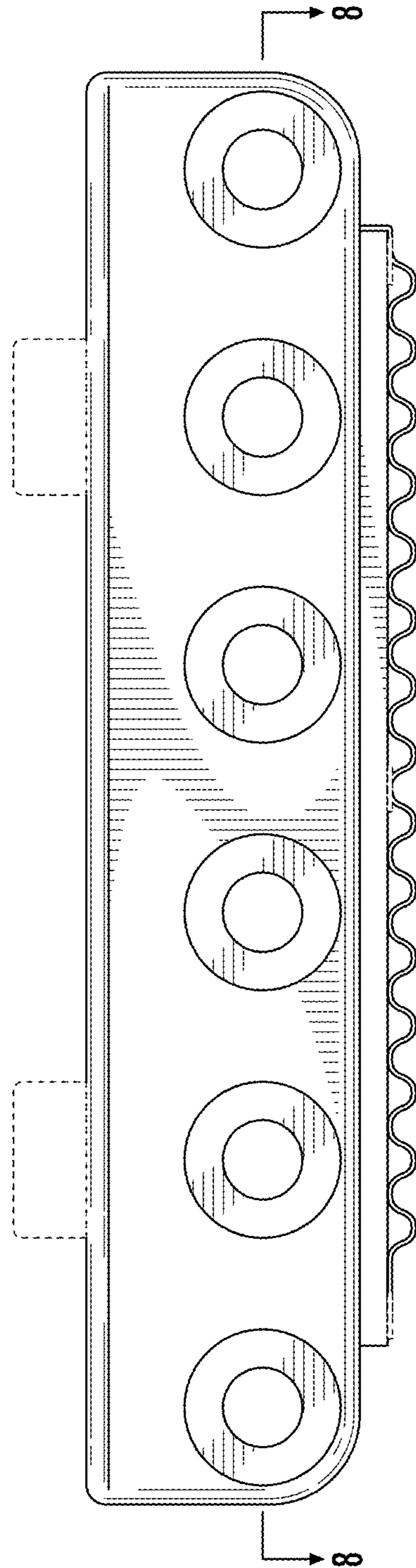


FIG. 4

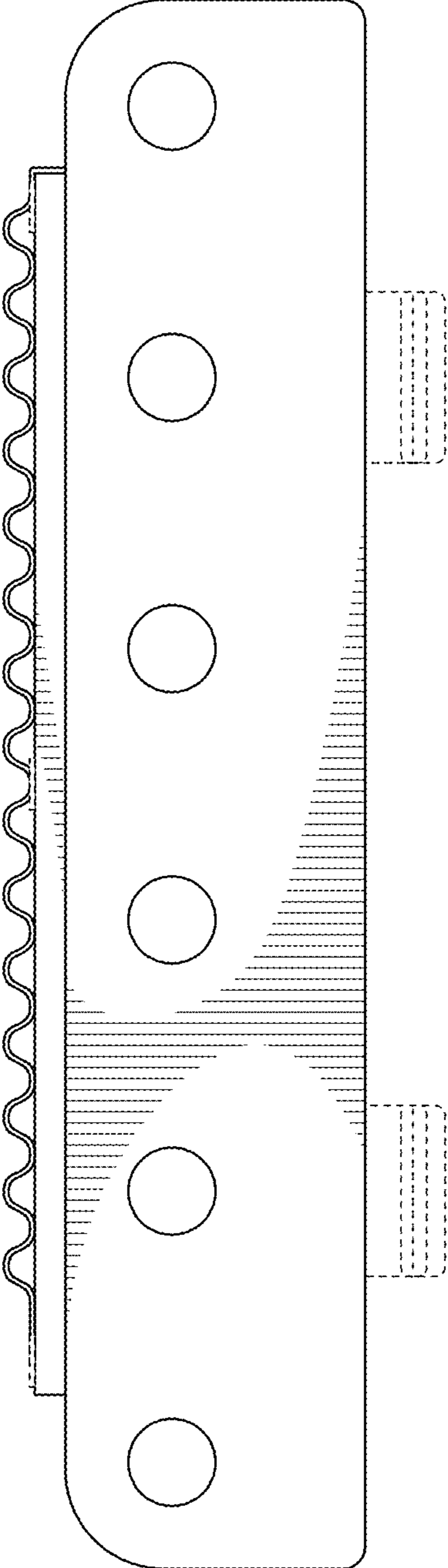


FIG. 5

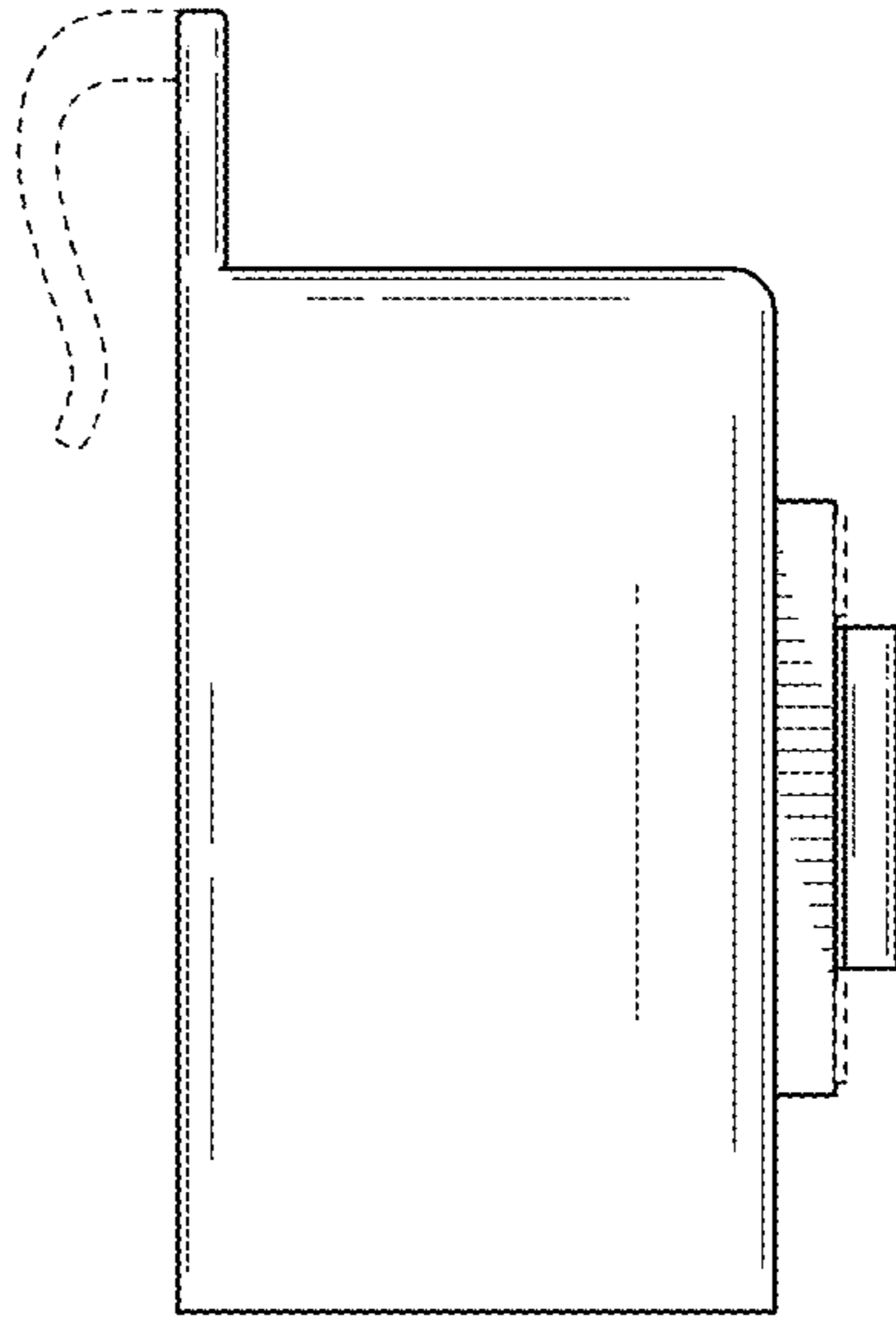


FIG. 6

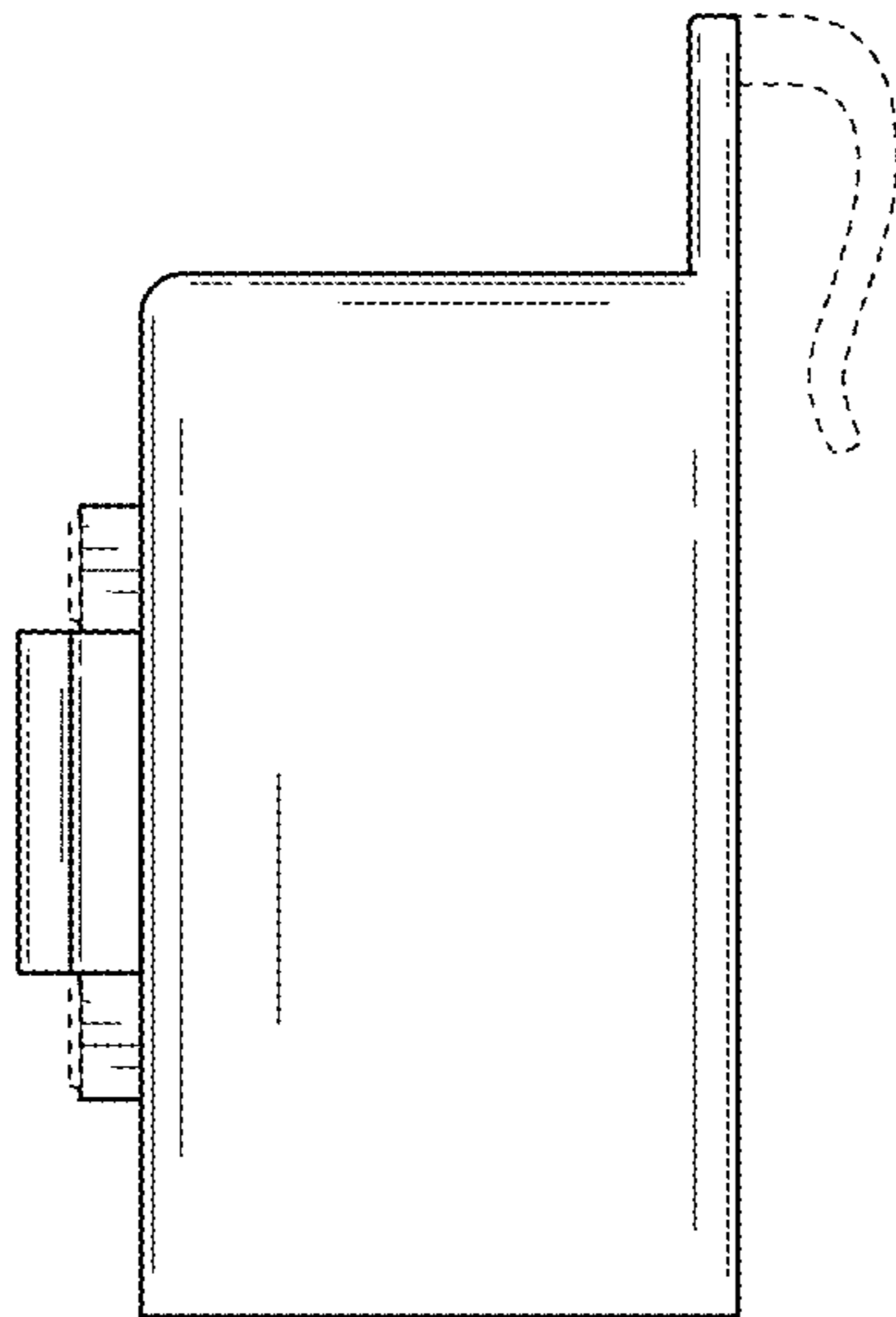


FIG. 7

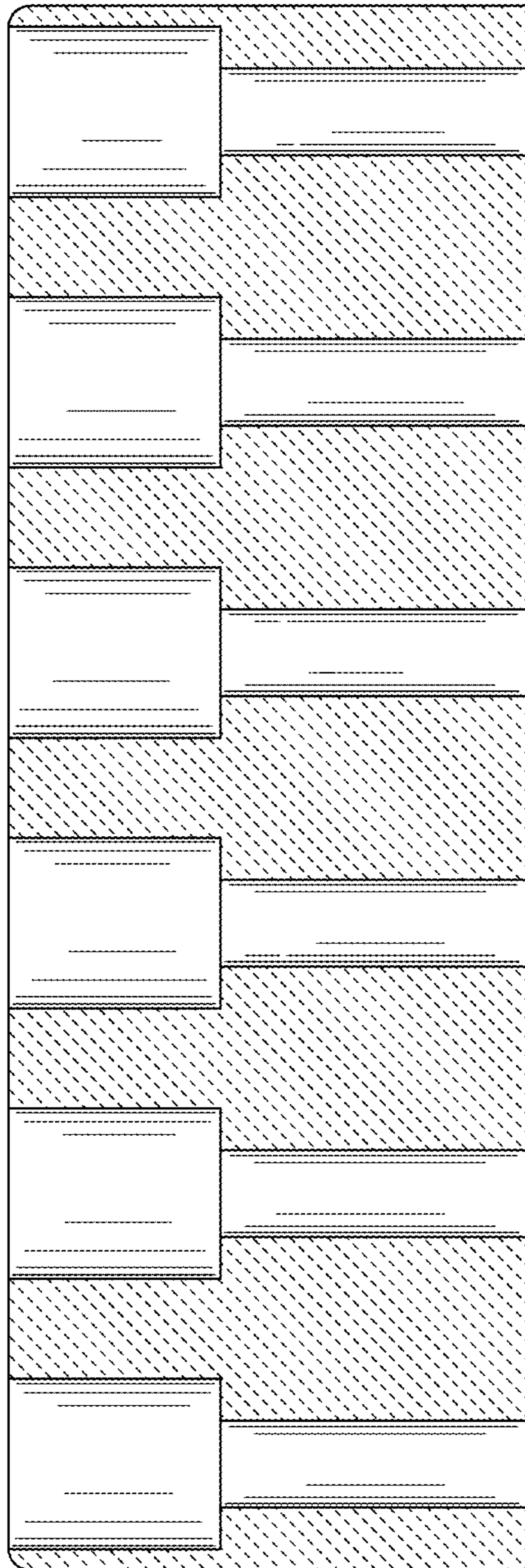


FIG. 8

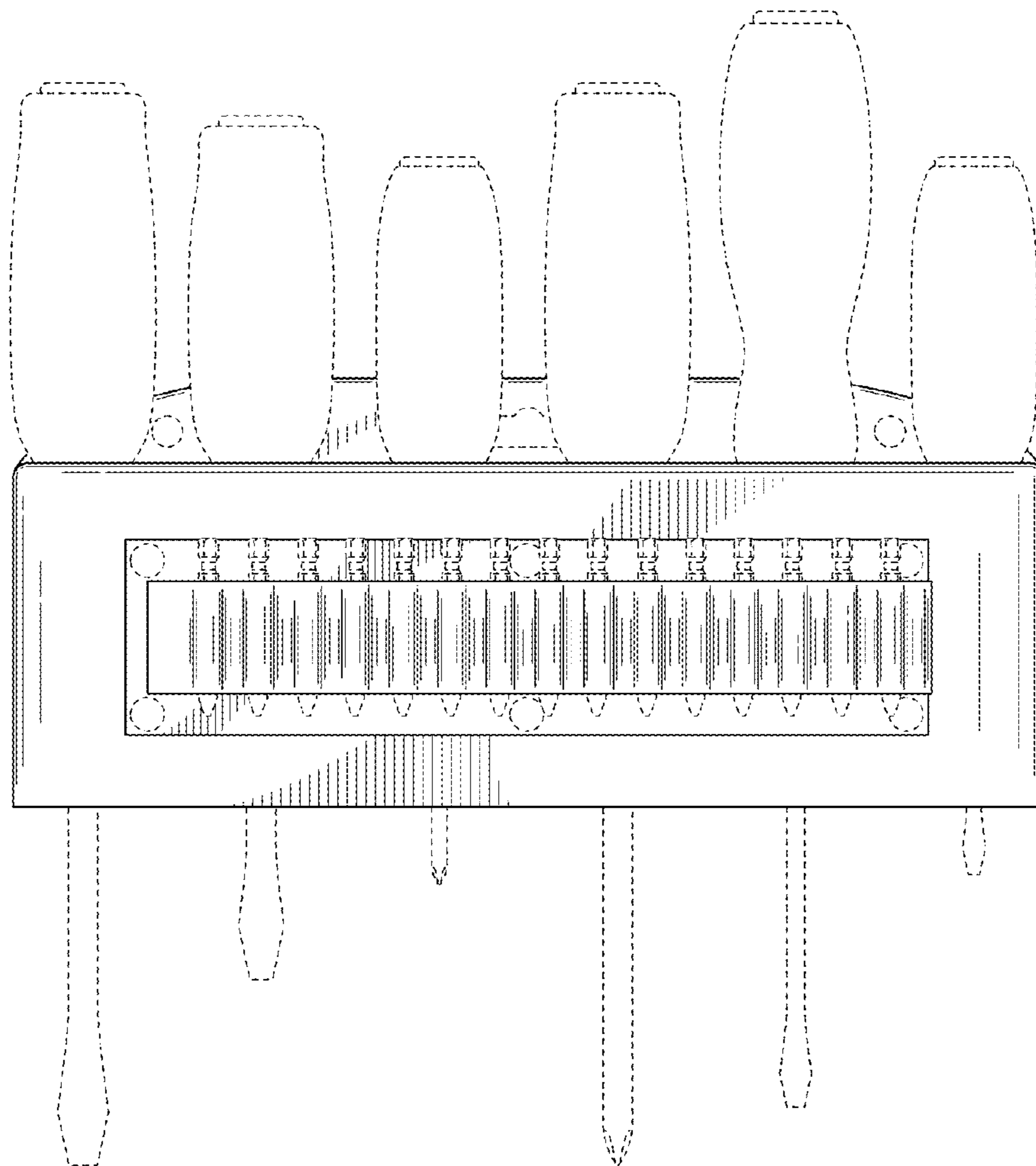


FIG. 9