



US00D688461S

(12) **United States Design Patent**  
**Ambrefe, Jr. et al.**

(10) **Patent No.:** **US D688,461 S**  
(45) **Date of Patent:** **\*\* Aug. 27, 2013**

- (54) **TRAY**
- (71) Applicant: **SecurityPoint Holdings LLC**, Tampa, FL (US)
- (72) Inventors: **Joseph T Ambrefe, Jr.**, Indian Rocks Beach, FL (US); **Craig Demko**, Stephens City, VA (US); **Paul Delmerico**, Winchester, VA (US)
- (73) Assignee: **Securitypoint Holdings LLC**, Tampa, FL (US)
- (\*\*) Term: **14 Years**
- (21) Appl. No.: **29/432,917**
- (22) Filed: **Sep. 22, 2012**
- (51) **LOC (9) Cl.** ..... **03-01**
- (52) **U.S. Cl.**  
USPC ..... **D3/304**
- (58) **Field of Classification Search**  
USPC ..... D3/201, 205–206, 304, 307–308, D3/315; D6/406.3, 449, 467, 475, 510; D19/77–78, 86, 92; 206/203, 214–215; 229/406–407, 913  
See application file for complete search history.

D533,080 S *	12/2006	Darin .....	D9/761
D544,918 S *	6/2007	Kanbar .....	D19/89
D582,190 S *	12/2008	Valiulis et al. ....	D6/567
D589,728 S *	4/2009	Shaha et al. ....	D6/510
D603,255 S *	11/2009	King .....	D9/433
D620,291 S *	7/2010	Smith et al. ....	D6/525
D620,305 S *	7/2010	Tosdale et al. ....	D7/354
D635,770 S *	4/2011	Kobilarcik et al. ....	D3/304
D636,894 S *	4/2011	Tomes et al. ....	D24/227
D659,400 S *	5/2012	Kraemer .....	D3/304
D660,058 S *	5/2012	Kincaid et al. ....	D6/510
D666,829 S *	9/2012	Liao .....	D3/304

\* cited by examiner

*Primary Examiner* — Kelley Donnelly

(74) *Attorney, Agent, or Firm* — Don J. Pelto, Esquire; Sheppard, Mullin, Richter & Hampton LLP

(57) **CLAIM**

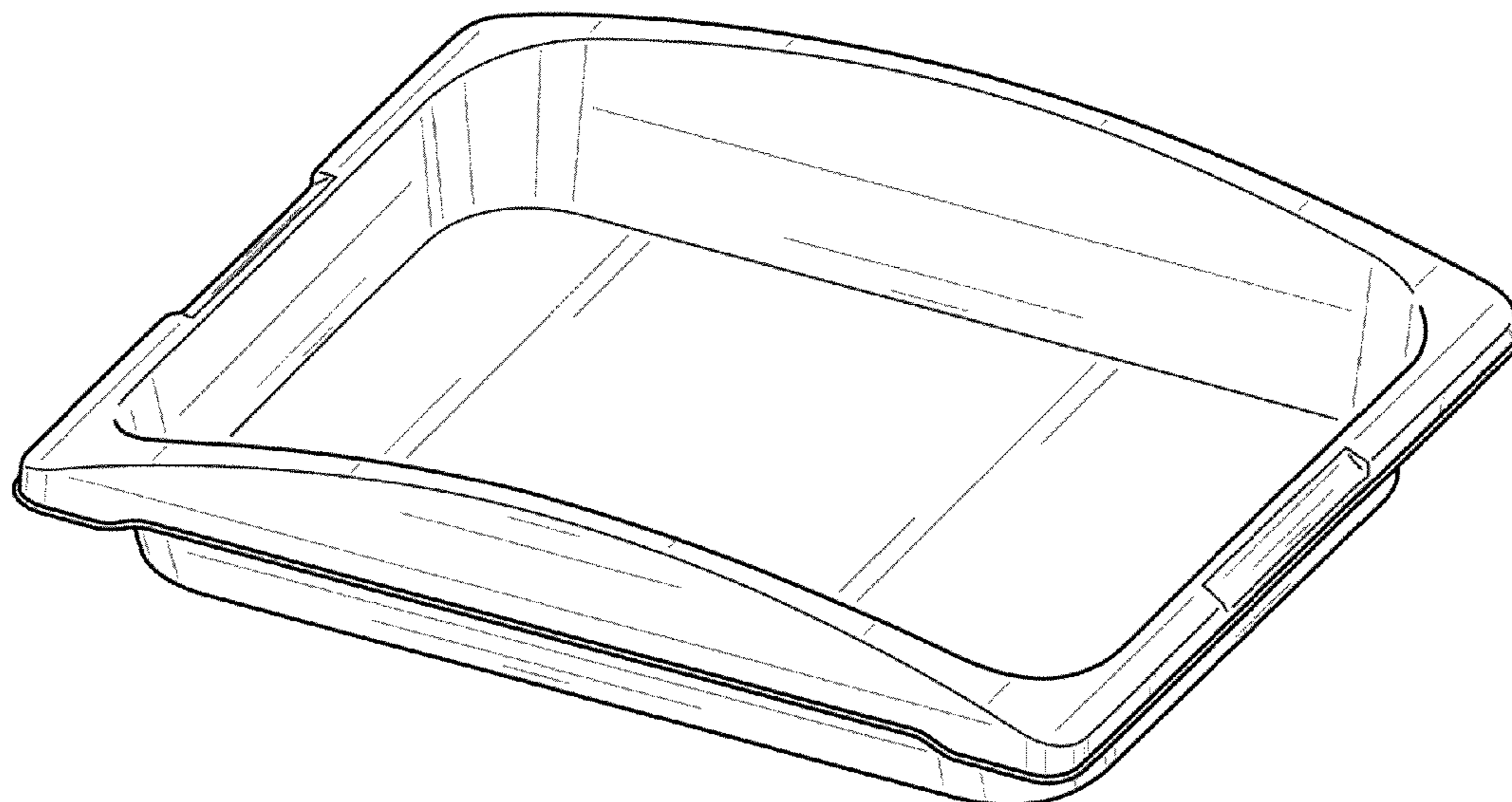
The ornamental design for a tray, as shown and described.

**DESCRIPTION**

FIG. 1 is a top perspective view of a tray embodying the new design.  
 FIG. 2 is a left side view of the tray embodying the new design.  
 FIG. 3 is a right side view of the tray embodying the new design.  
 FIG. 4 is a front view of the tray embodying the new design.  
 FIG. 5 is a back view of the tray embodying the new design.  
 FIG. 6 is a top view of the tray embodying the new design.  
 FIG. 7 is a bottom view of the tray embodying the new design; and,  
 FIG. 8 is a bottom perspective view of a tray embodying the new design.

**1 Claim, 8 Drawing Sheets**

- (56) **References Cited**  
U.S. PATENT DOCUMENTS  
D274,012 S \* 5/1984 Williams ..... D3/304  
D365,730 S \* 1/1996 Brightbill et al. .... D7/641  
D400,404 S \* 11/1998 Indekeu ..... D7/554.3  
D431,421 S \* 10/2000 Liu ..... D7/545  
D446,391 S \* 8/2001 Sterling et al. .... D3/304  
D454,371 S \* 3/2002 Goodman et al. .... D19/92



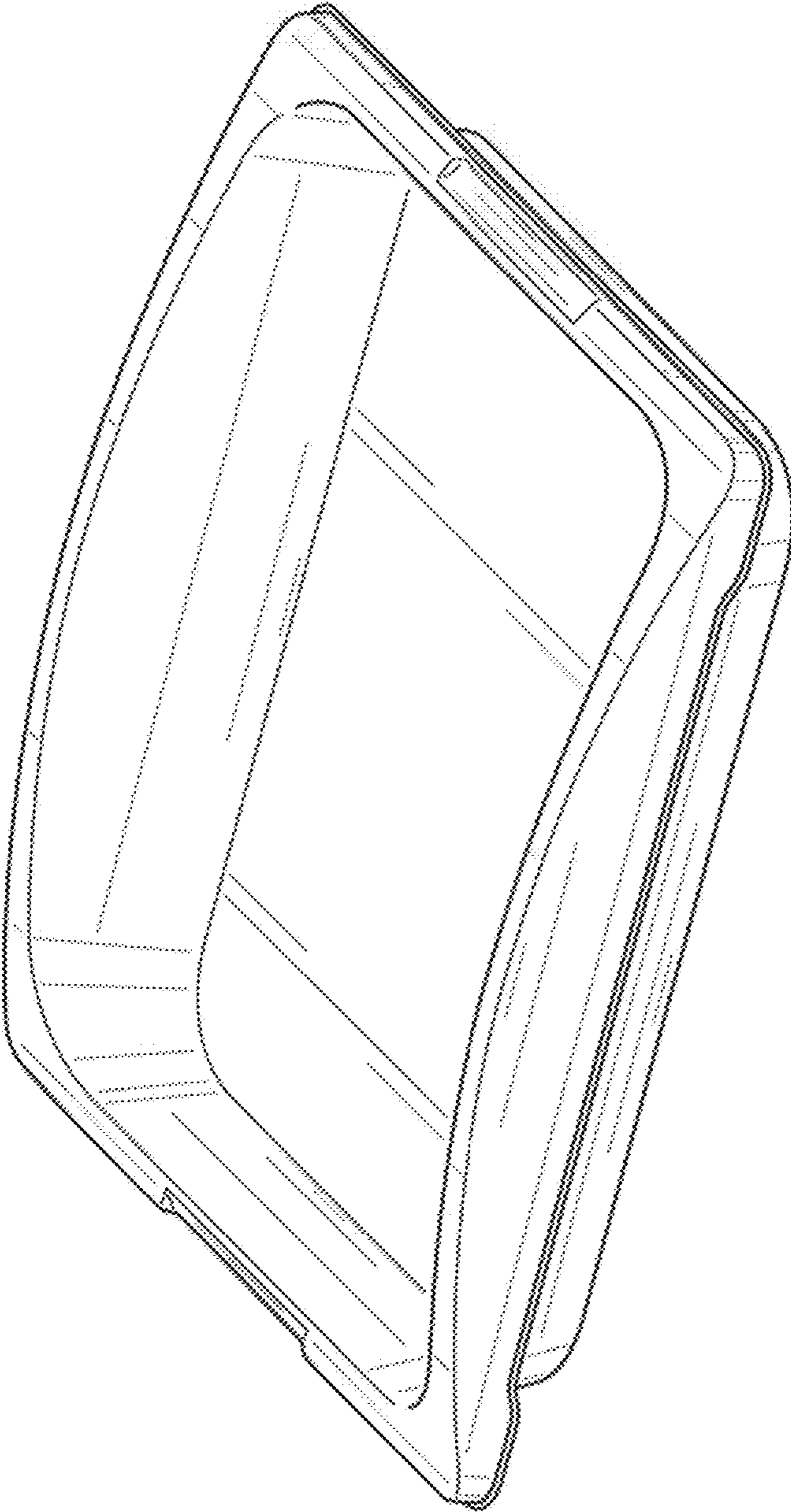


FIG. 1

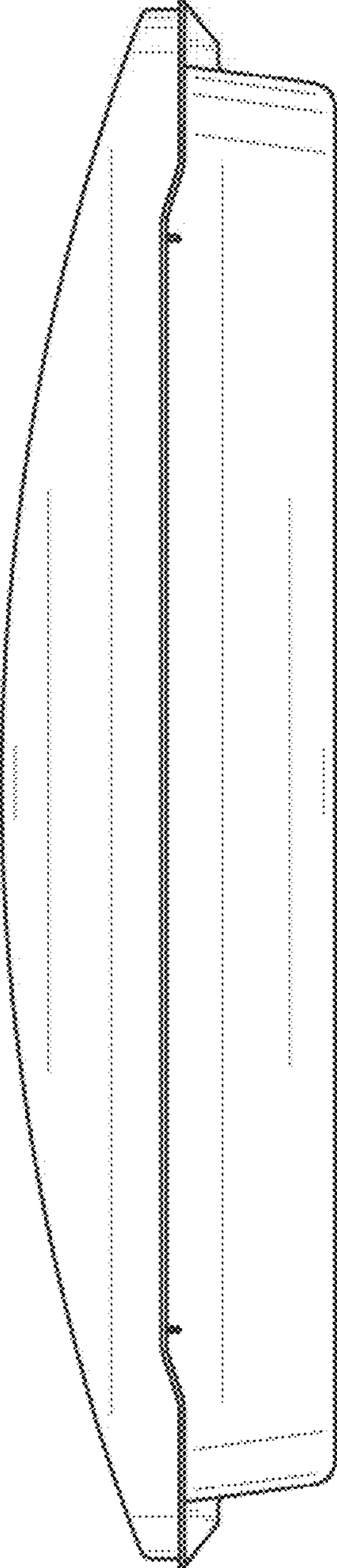


FIG. 2

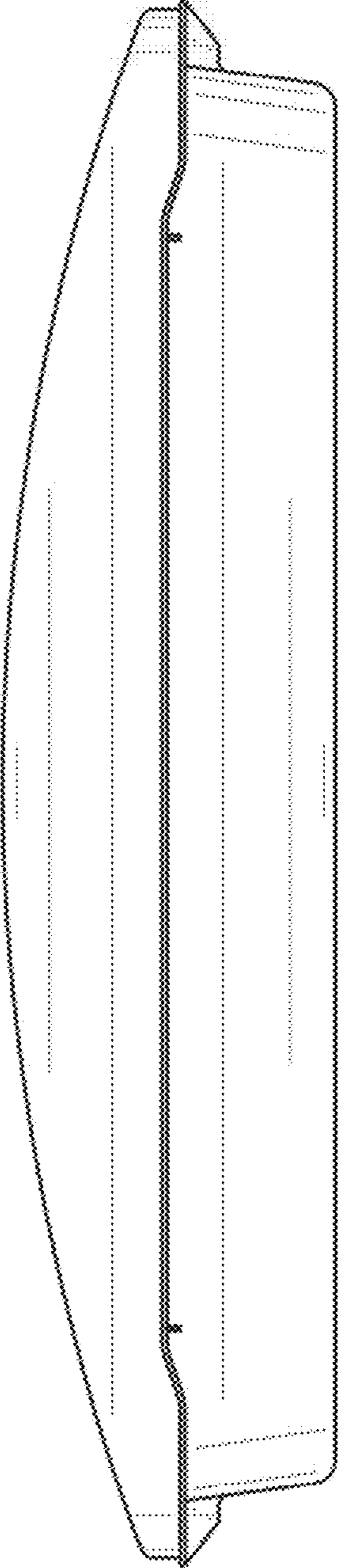


FIG. 3



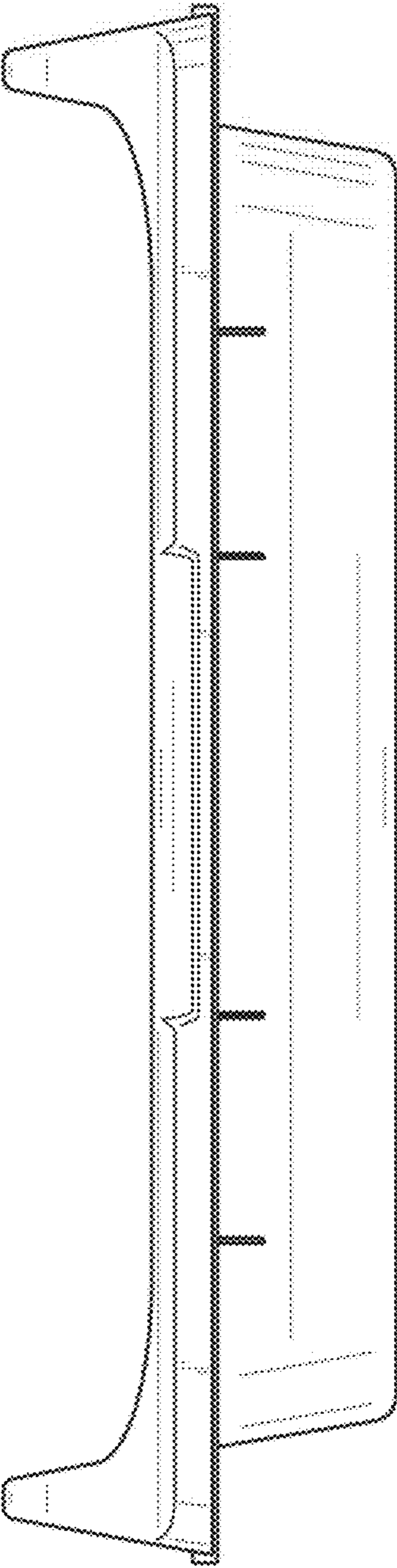


FIG. 4

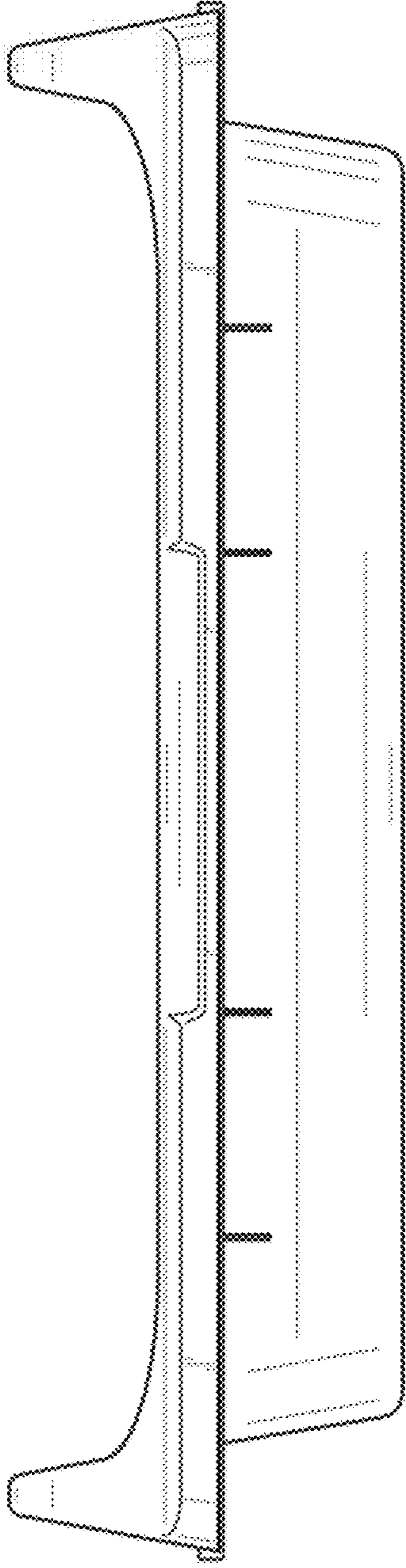


FIG. 5

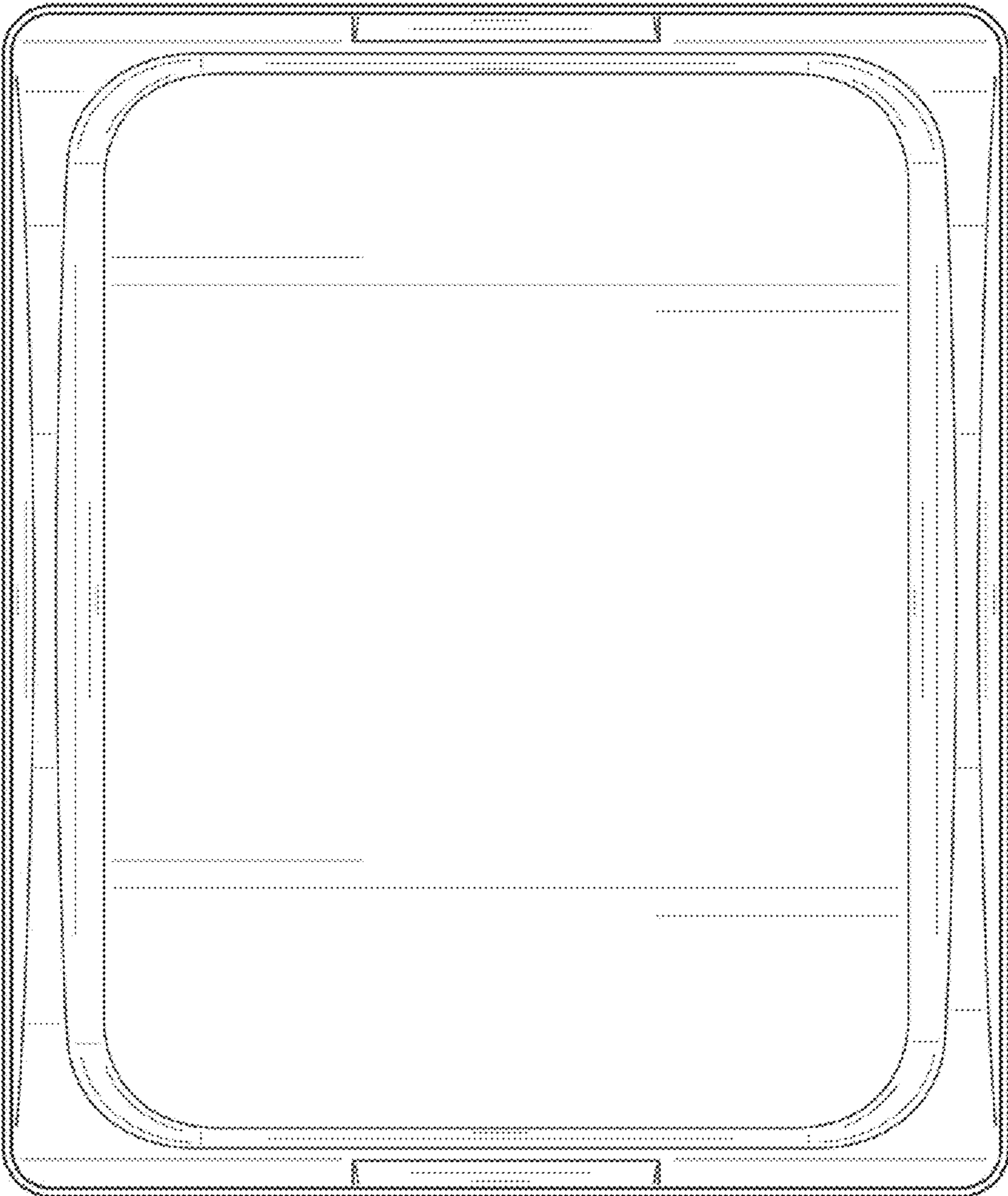


FIG. 6

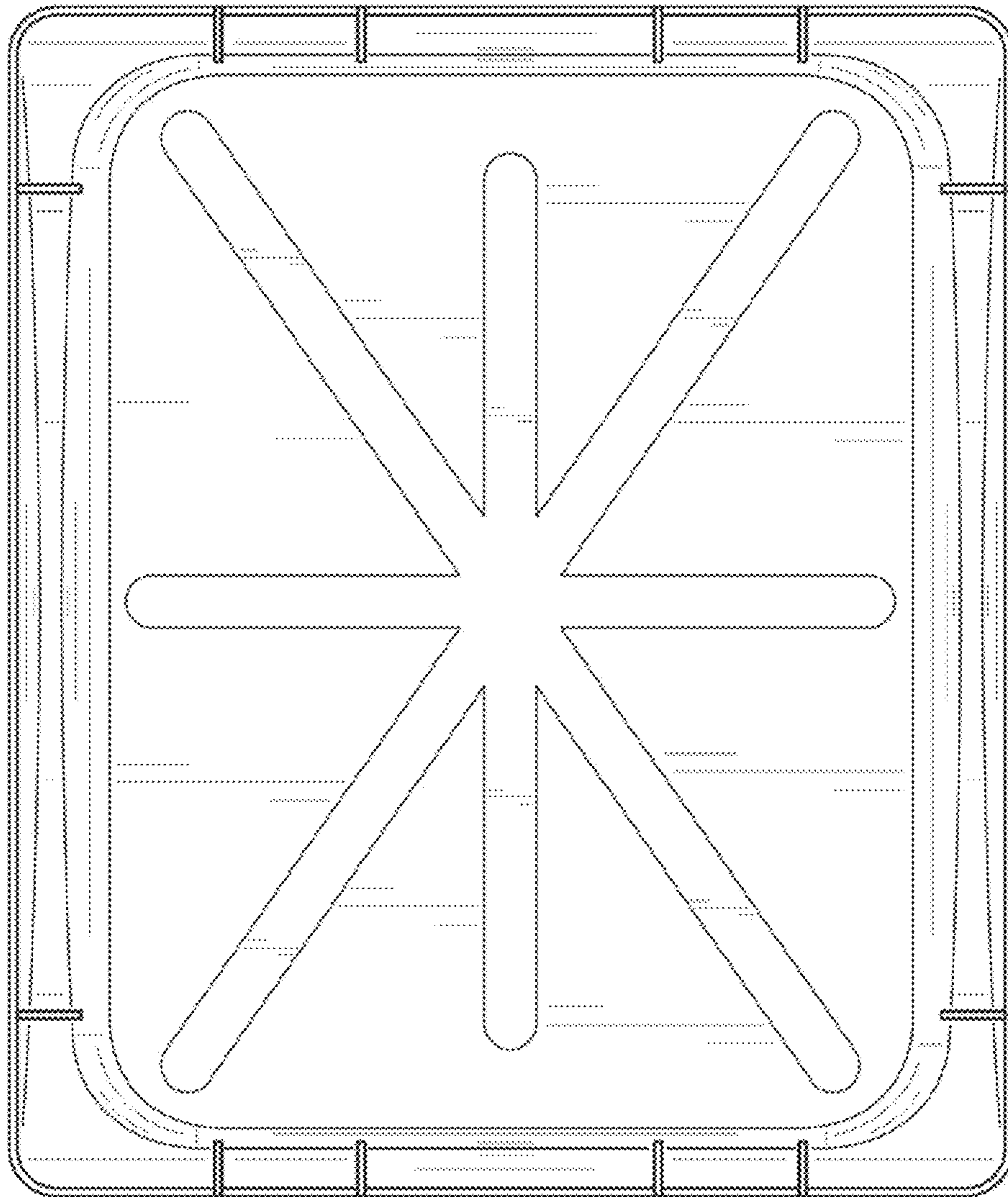


FIG. 7



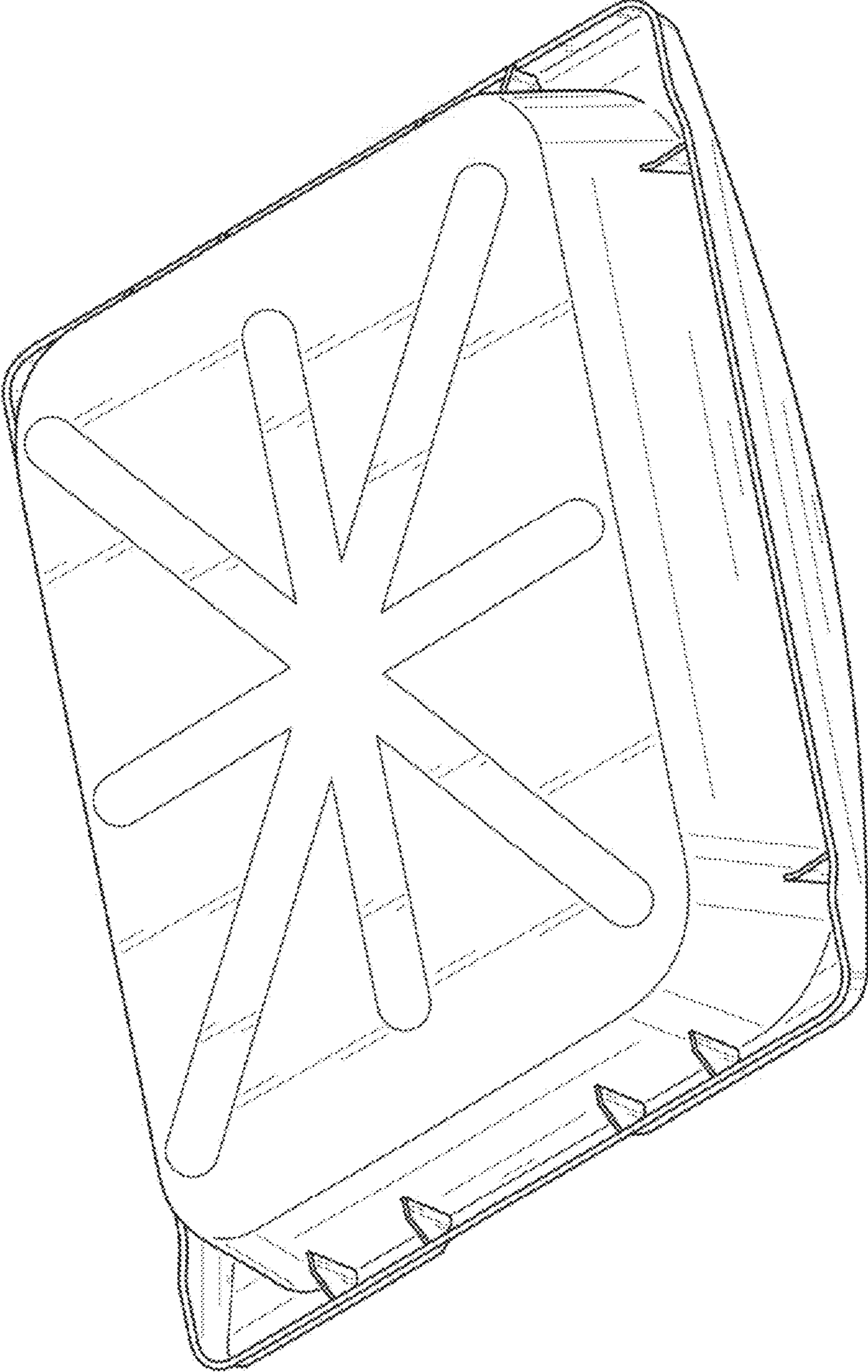


FIG. 8