



US00D688460S

(12) **United States Design Patent**
Schmidt et al.

(10) **Patent No.:** **US D688,460 S**

(45) **Date of Patent:** **** *Aug. 27, 2013**

(54) **STORAGE BOX**

(75) Inventors: **Markus Schmidt**, Bietigheim (DE);
Steffen Seiffarth, Filderstadt (DE)

(73) Assignee: **Esselte Corporation**, Melville, NY (US)

(*) Notice: This patent is subject to a terminal disclaimer.

(**) Term: **14 Years**

(21) Appl. No.: **29/397,641**

(22) Filed: **Jul. 19, 2011**

(30) **Foreign Application Priority Data**

Jan. 19, 2011 (EM) 001 807 678-0002

(51) **LOC (9) Cl.** **03-01**

(52) **U.S. Cl.**
USPC **D3/304**

(58) **Field of Classification Search**

USPC D3/304–305, 307–315; D19/75–76,
D19/86, 90–91, 99–100; 229/100, 116.1,
229/117.13, 117.16; 312/183–184; 211/10–11,
211/45–46; 220/500, 528–529, 532, 553;
D34/1

See application file for complete search history.

(56) **References Cited**

U.S. PATENT DOCUMENTS

1,804,099 A * 5/1931 Hazy 220/4.01
2,488,710 A * 11/1949 Cooper 174/372
2,989,226 A * 6/1961 Swartz 229/125.19
4,848,580 A * 7/1989 Wise 206/519
D326,341 S * 5/1992 Frauhiger D34/1
D372,673 S * 8/1996 Turner D3/302
D394,383 S * 5/1998 Bradfield D9/416

5,901,871 A * 5/1999 Elversson 220/495.01
D424,117 S * 5/2000 Steinbeck et al. D19/75
D425,562 S * 5/2000 Conley et al. D19/90
D461,120 S * 8/2002 Ostro D9/759
D497,954 S * 11/2004 DeCarlo et al. D19/85
D500,205 S * 12/2004 DeCarlo et al. D3/302
D518,526 S * 4/2006 Benn D19/90
D528,604 S * 9/2006 Decarlo et al. D19/85
7,431,163 B2 * 10/2008 Andersen 206/736
D580,989 S * 11/2008 Schenker D19/86
D631,649 S * 2/2011 Patenaude D3/203.1
D646,059 S * 10/2011 Park D3/289
D661,919 S * 6/2012 Hester D6/407
D662,350 S * 6/2012 Lee D7/354
D663,118 S * 7/2012 Zalewski et al. D3/273
2004/0262307 A1 * 12/2004 DeCarlo et al. 220/6

* cited by examiner

Primary Examiner — Kelley Donnelly

(74) *Attorney, Agent, or Firm* — Dorsey & Whitney LLP

(57) **CLAIM**

The ornamental design of a storage box, as shown and described.

DESCRIPTION

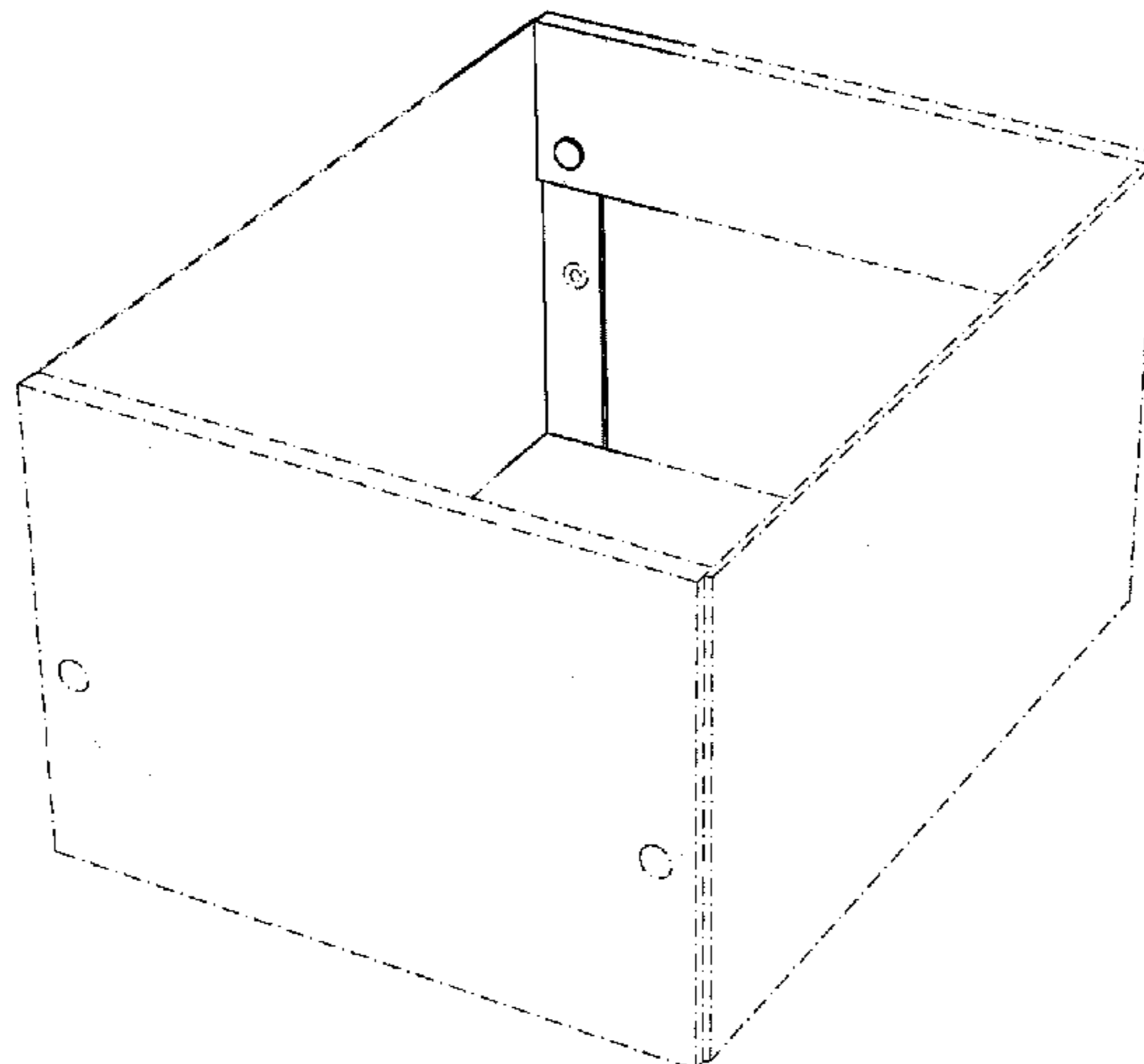
FIG. 1 is a front side view of a storage box partially unassembled;

FIG. 2 is a back side view of the storage box shown in FIG. 1;
FIG. 3 is a left side view of the storage box shown in FIG. 1;
FIG. 4 is a right side view of the storage box shown in FIG. 1;
FIG. 5 is a top view of the storage box shown in FIG. 1;
FIG. 6 is a bottom view of the storage box shown in FIG. 1;
FIG. 7 is a back perspective view of the storage box shown in FIG. 1; and,

FIG. 8 is a perspective view of the storage box shown in FIG. 1, in assembled form.

The phantom lines are provided for illustrative purposes only, and form no part of the claimed design.

1 Claim, 8 Drawing Sheets



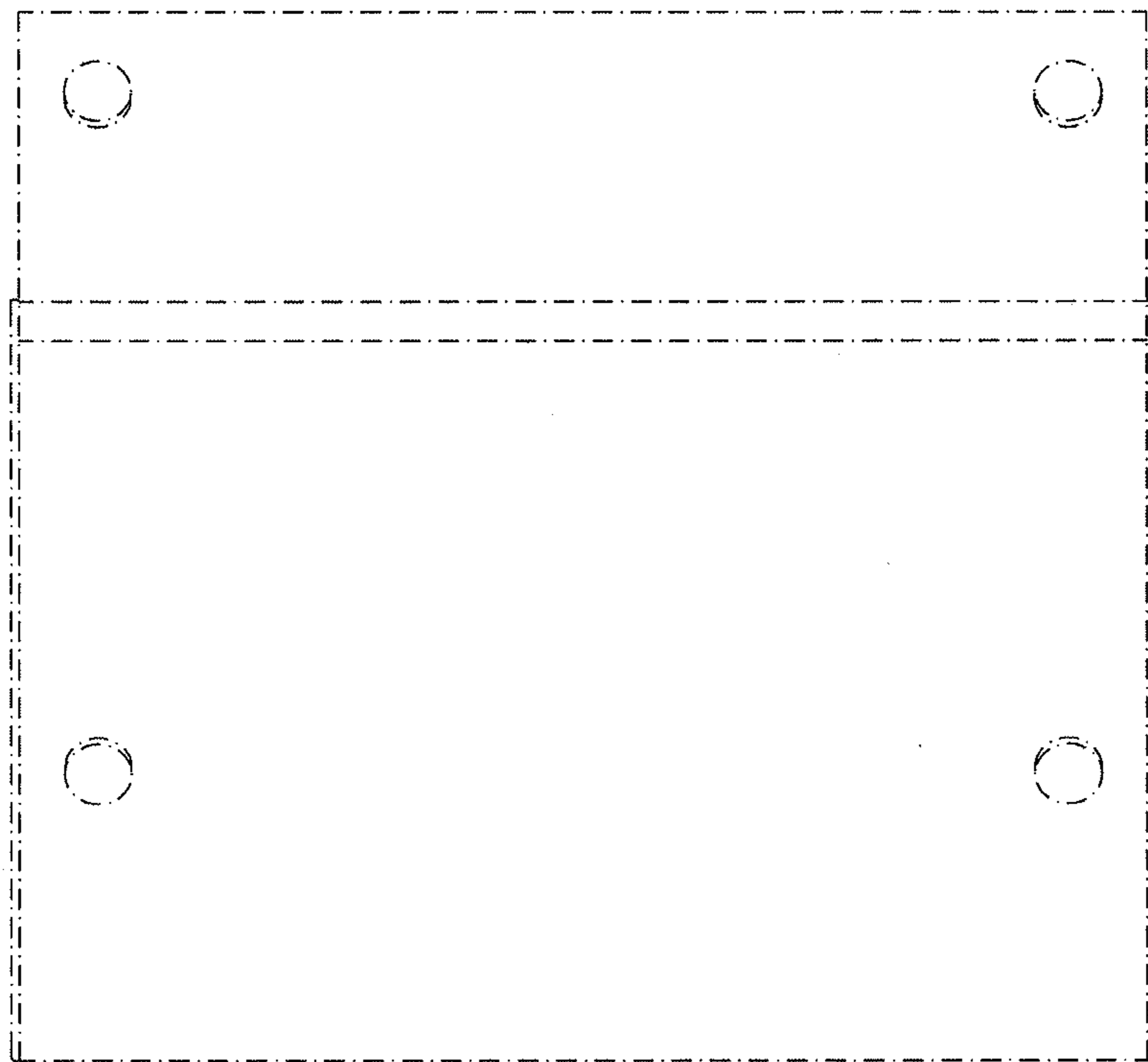


FIG. 1

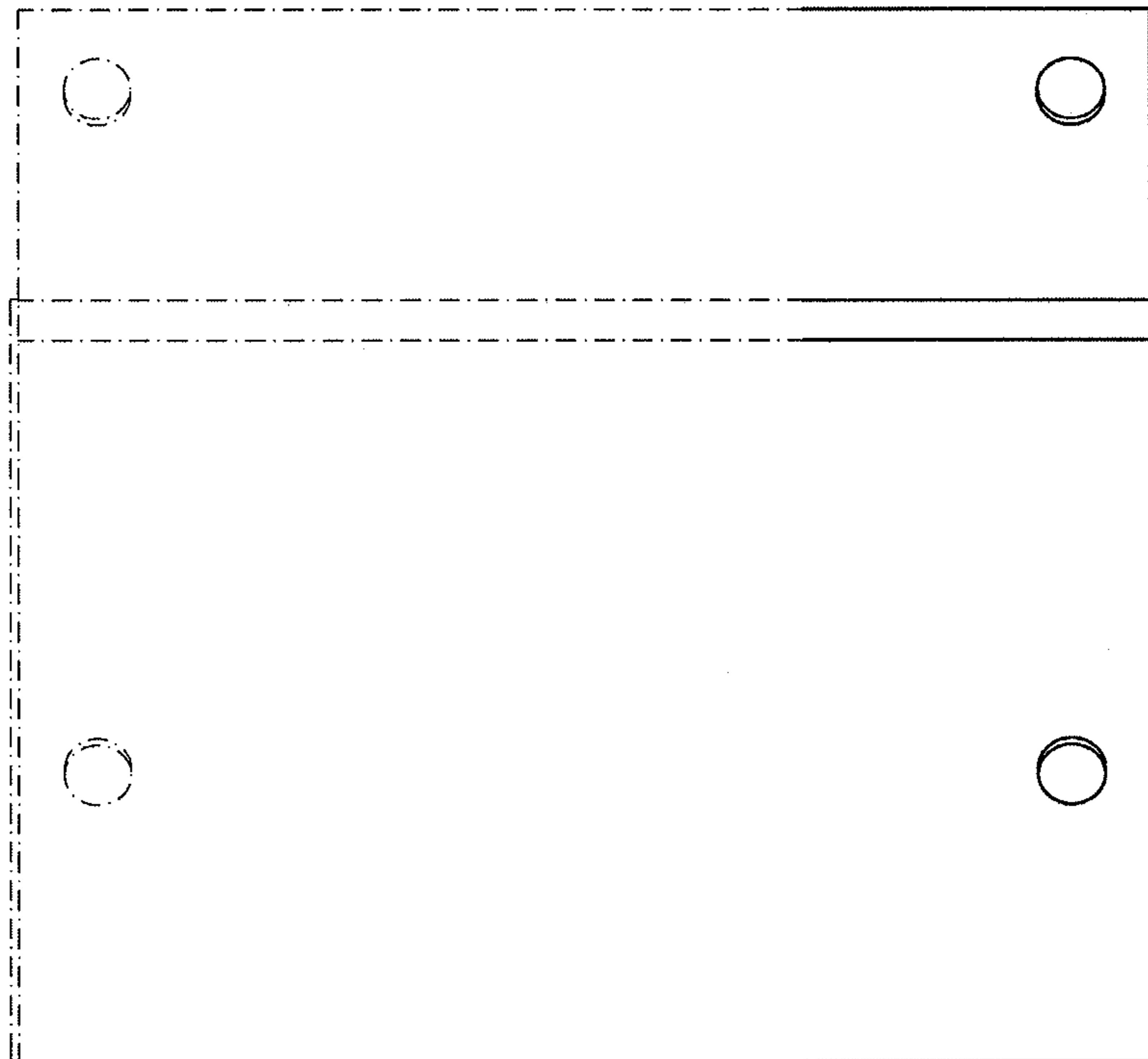


FIG. 2

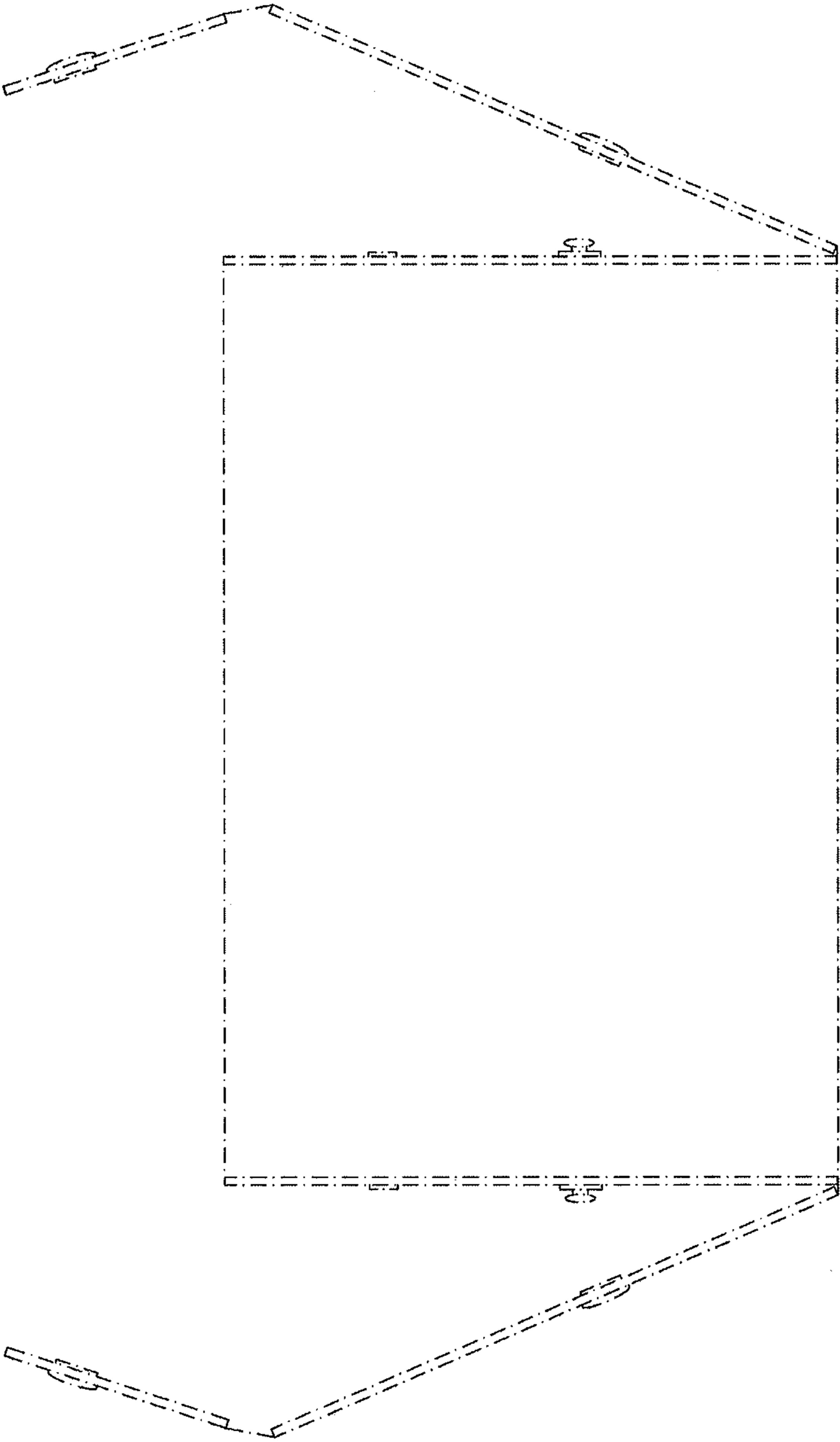


FIG. 3

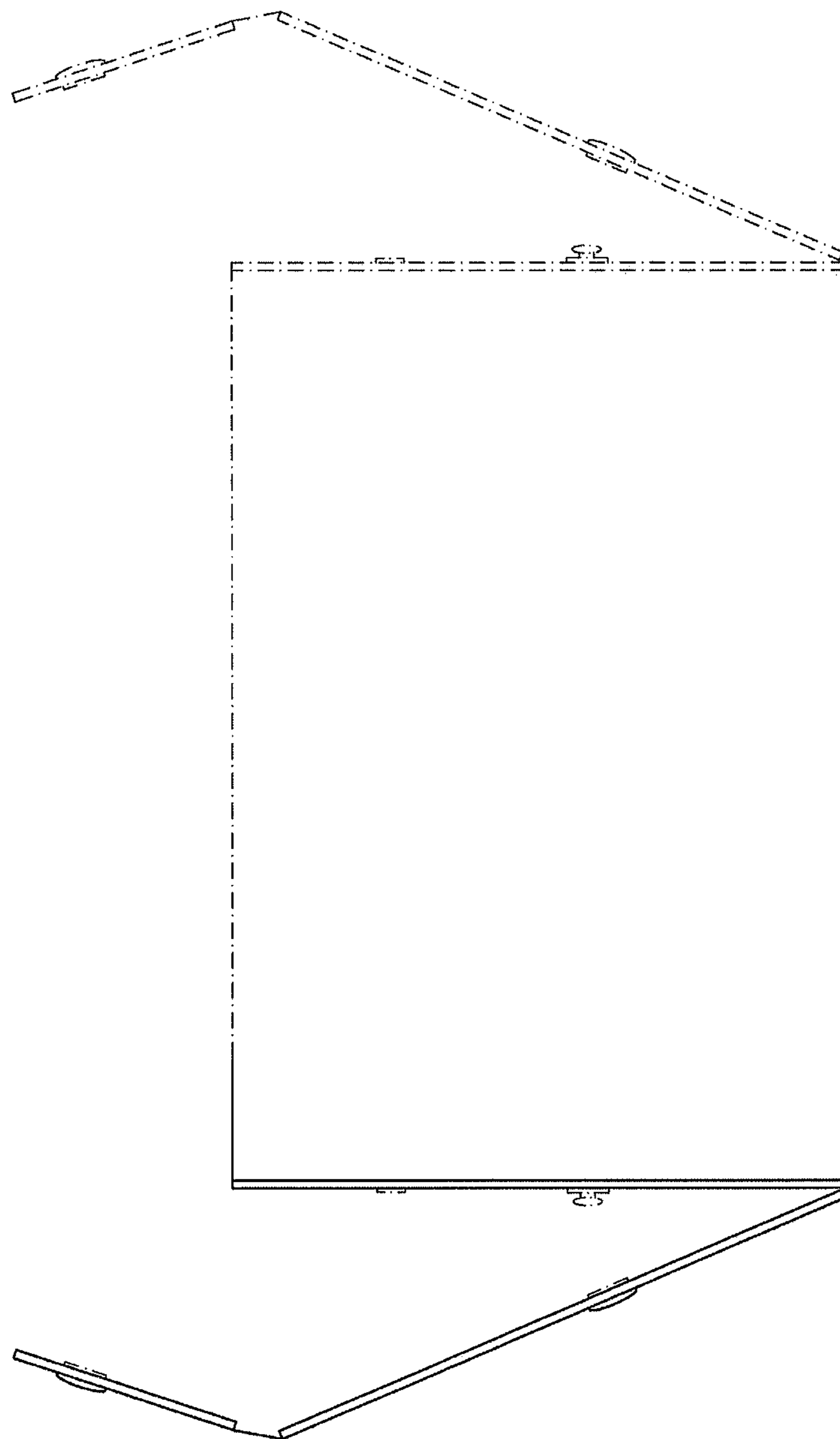


FIG. 4

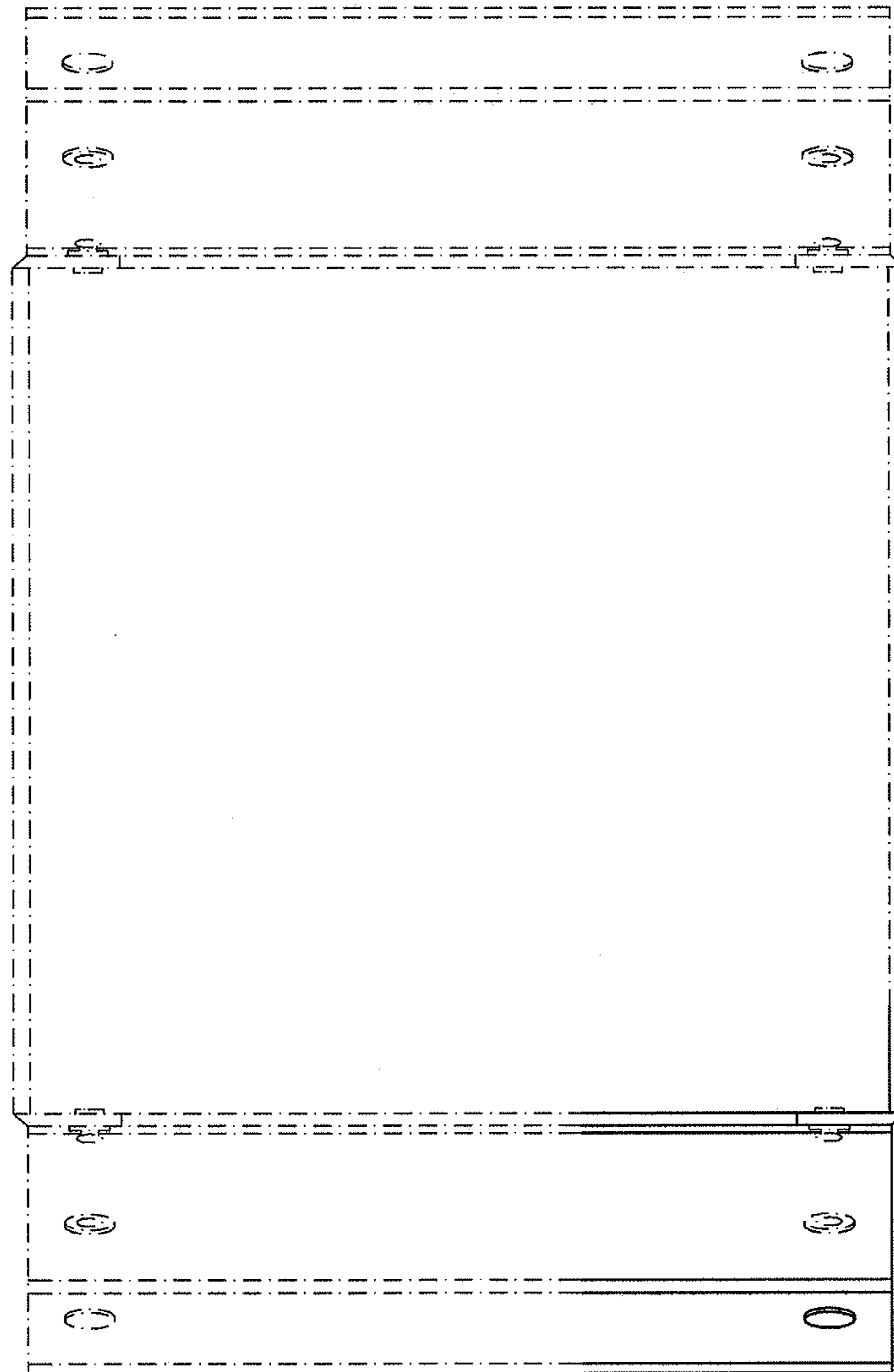


FIG. 5

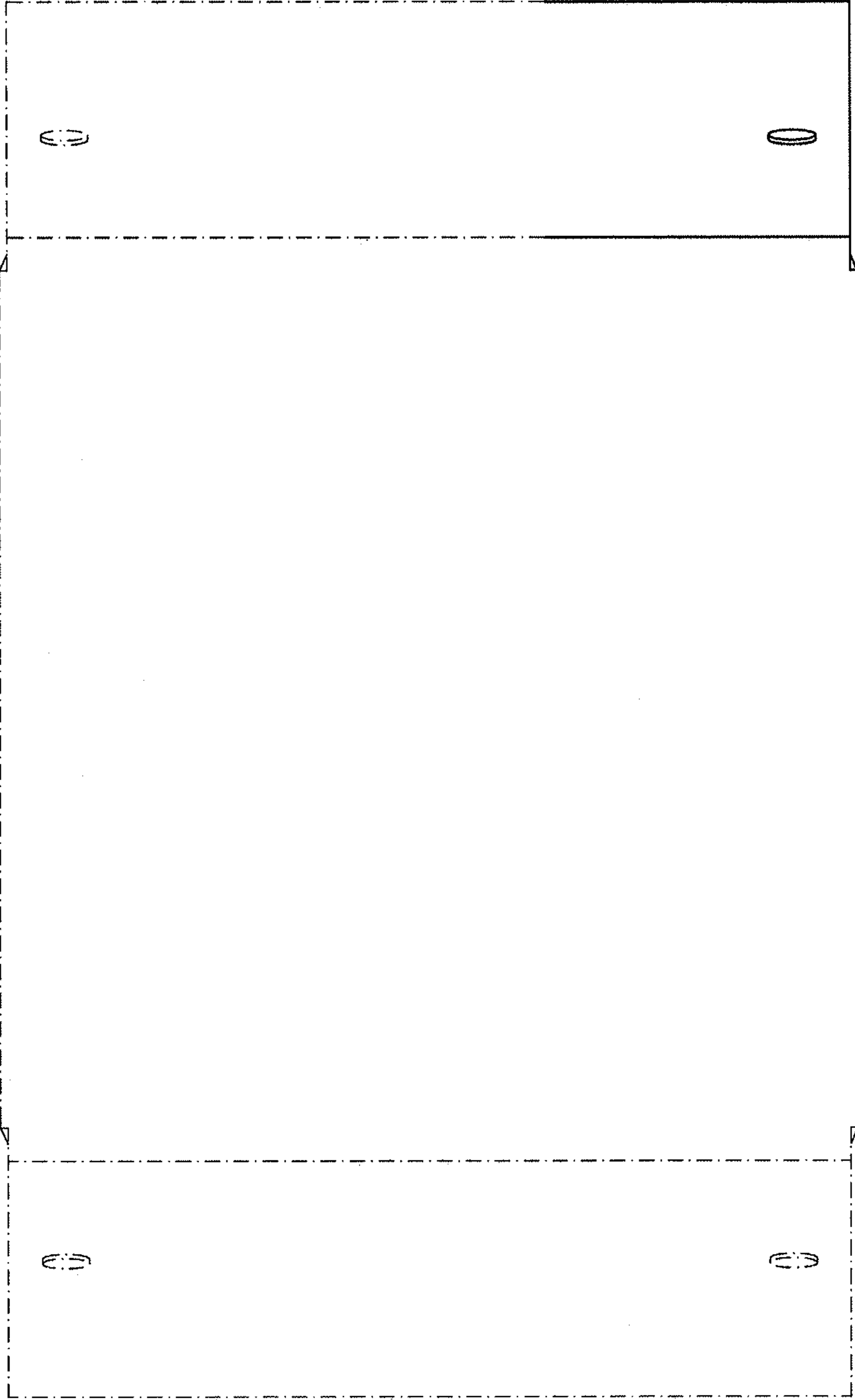


FIG. 6

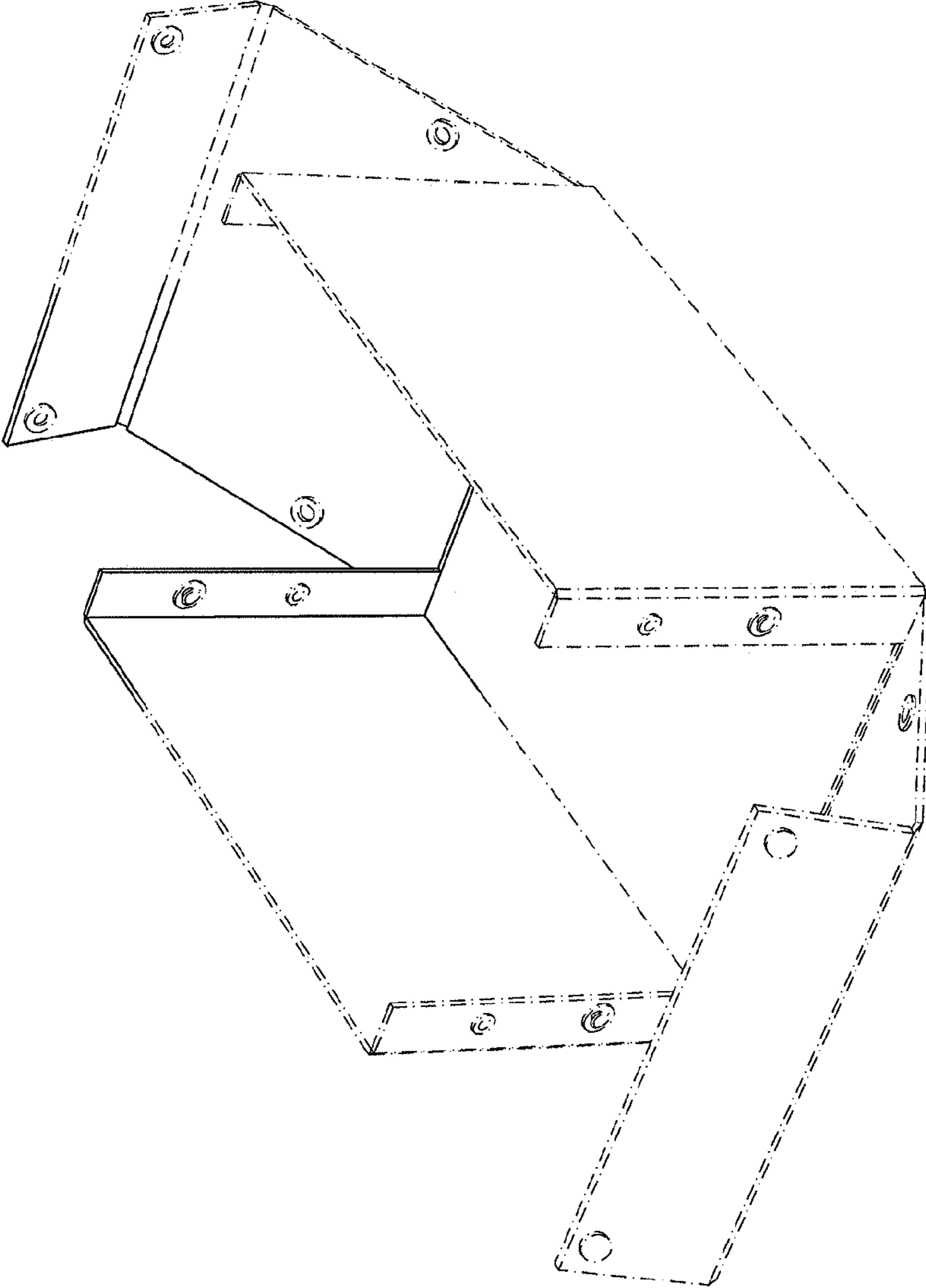


FIG. 7

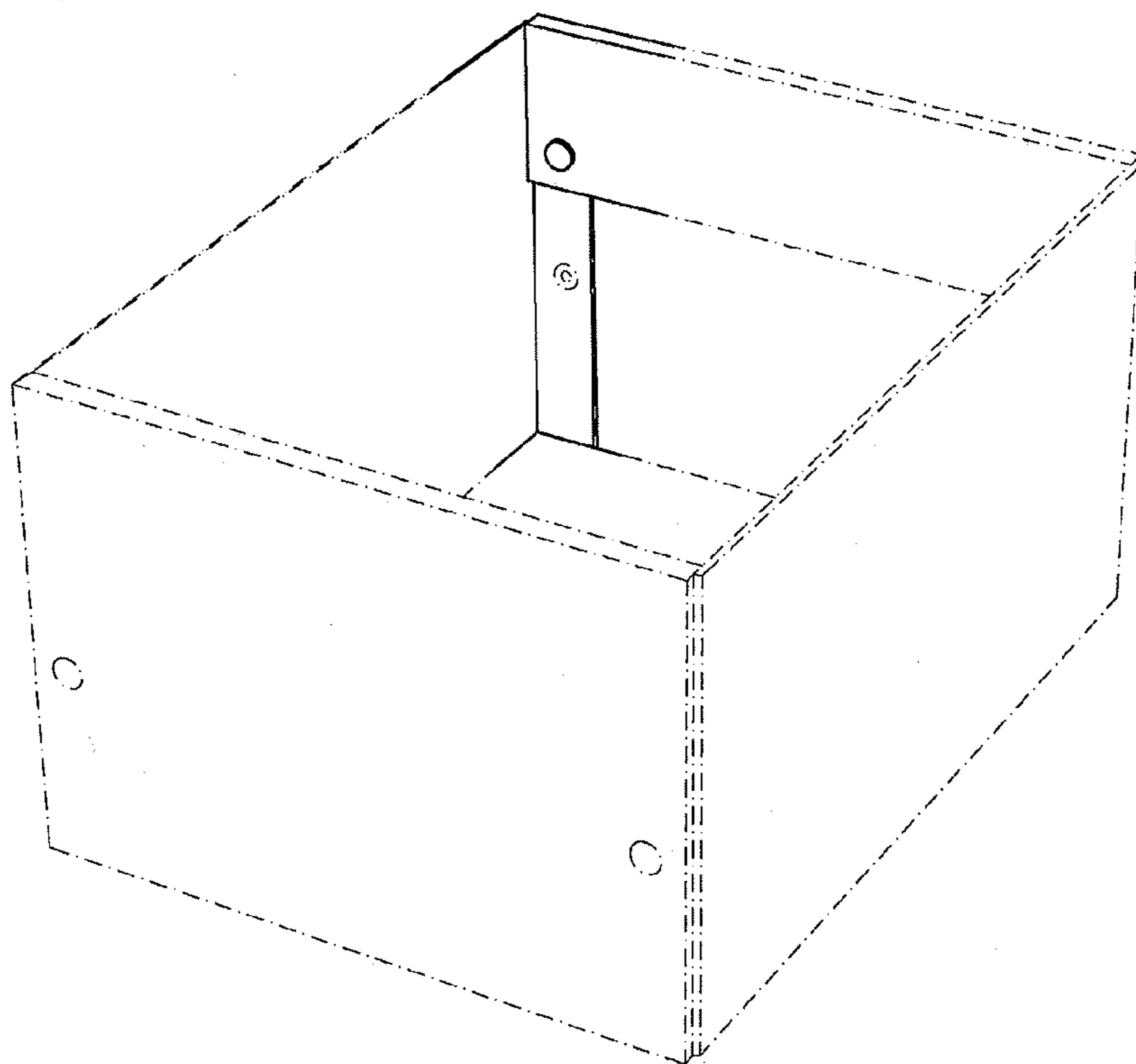


FIG. 8