



US00D688459S

(12) **United States Design Patent**
Schmidt et al.

(10) **Patent No.:** **US D688,459 S**

(45) **Date of Patent:** **** *Aug. 27, 2013**

(54) **STORAGE BOX**

(75) Inventors: **Markus Schmidt**, Bietigheim (DE);
Steffen Seiffarth, Filderstadt (DE)

(73) Assignee: **Esselte Corporation**, Melville, NY (US)

(*) Notice: This patent is subject to a terminal disclaimer.

(**) Term: **14 Years**

(21) Appl. No.: **29/397,638**

(22) Filed: **Jul. 19, 2011**

(30) **Foreign Application Priority Data**

Jan. 19, 2011 (EM) 001 807 678-0001

(51) **LOC (9) Cl.** **03-01**

(52) **U.S. Cl.**
USPC **D3/304**

(58) **Field of Classification Search**

USPC D3/304–305, 307–315; D19/75–76,
D19/86, 90–91, 99–100; 229/100, 116.1,
229/117.13, 117.16; 312/183–184; 211/10–11,
211/45–46; 220/500, 528–529, 532, 553;
D34/1

See application file for complete search history.

(56) **References Cited**

U.S. PATENT DOCUMENTS

1,804,099 A * 5/1931 Hazy 220/4.01
2,488,710 A * 11/1949 Cooper 174/372
2,989,226 A * 6/1961 Swartz 229/125.19
4,848,580 A * 7/1989 Wise 206/519
D326,341 S * 5/1992 Frauhiger D34/1
D372,673 S * 8/1996 Turner D3/302
D394,383 S * 5/1998 Bradfield D9/416

5,901,871 A * 5/1999 Elversson 220/495.01
D424,117 S * 5/2000 Steinbeck et al. D19/75
D425,562 S * 5/2000 Conley et al. D19/90
D461,120 S * 8/2002 Ostro D9/759
D497,954 S * 11/2004 DeCarlo et al. D19/85
D500,205 S * 12/2004 DeCarlo et al. D3/302
D518,526 S * 4/2006 Benn D19/90
D528,604 S * 9/2006 Decarlo et al. D19/85
7,431,163 B2 * 10/2008 Andersen 206/736
D580,989 S * 11/2008 Schenker D19/86
D631,649 S * 2/2011 Patenaude D3/203.1
D646,059 S * 10/2011 Park D3/289
D661,919 S * 6/2012 Hester D6/407
D662,350 S * 6/2012 Lee D7/354
D663,118 S * 7/2012 Zalewski et al. D3/273
2004/0262307 A1 * 12/2004 DeCarlo et al. 220/6

* cited by examiner

Primary Examiner — Kelley Donnelly

(74) *Attorney, Agent, or Firm* — Dorsey & Whitney LLP

(57) **CLAIM**

The ornamental design of a storage box, as shown and described.

DESCRIPTION

FIG. 1 is a front side view of a storage box partially unassembled;

FIG. 2 is a back side view of the storage box shown in FIG. 1;

FIG. 3 is a left side view of the storage box shown in FIG. 1;

FIG. 4 is a right side view of the storage box shown in FIG. 1;

FIG. 5 is a top view of the storage box shown in FIG. 1;

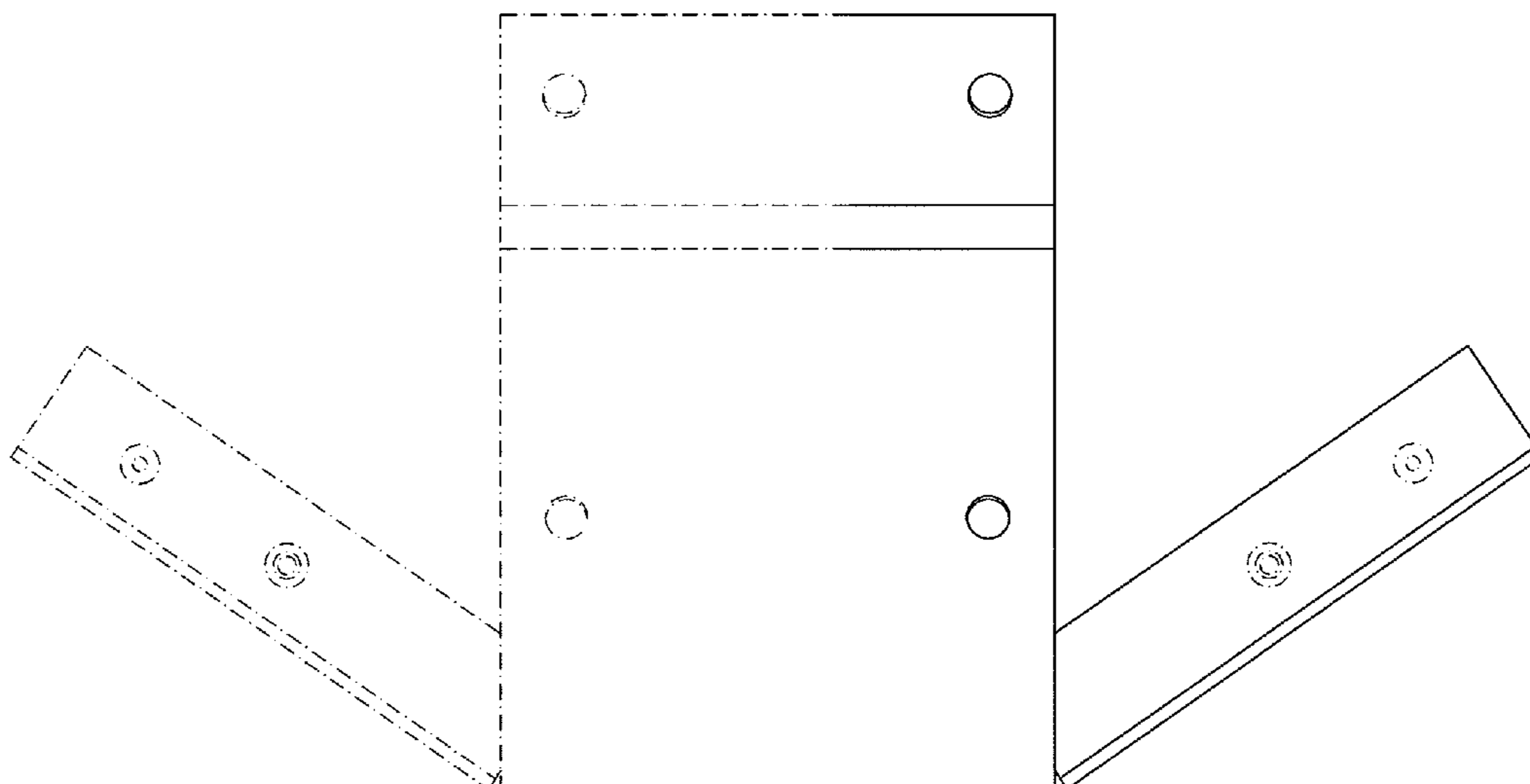
FIG. 6 is a bottom view of the storage box shown in FIG. 1;

FIG. 7 is a perspective view of the storage box shown in FIG. 1; and,

FIG. 8 is a back perspective view of the storage box shown in FIG. 1, in assembled form.

The phantom lines are provided for illustrative purposes only, and form no part of the claimed design.

1 Claim, 8 Drawing Sheets



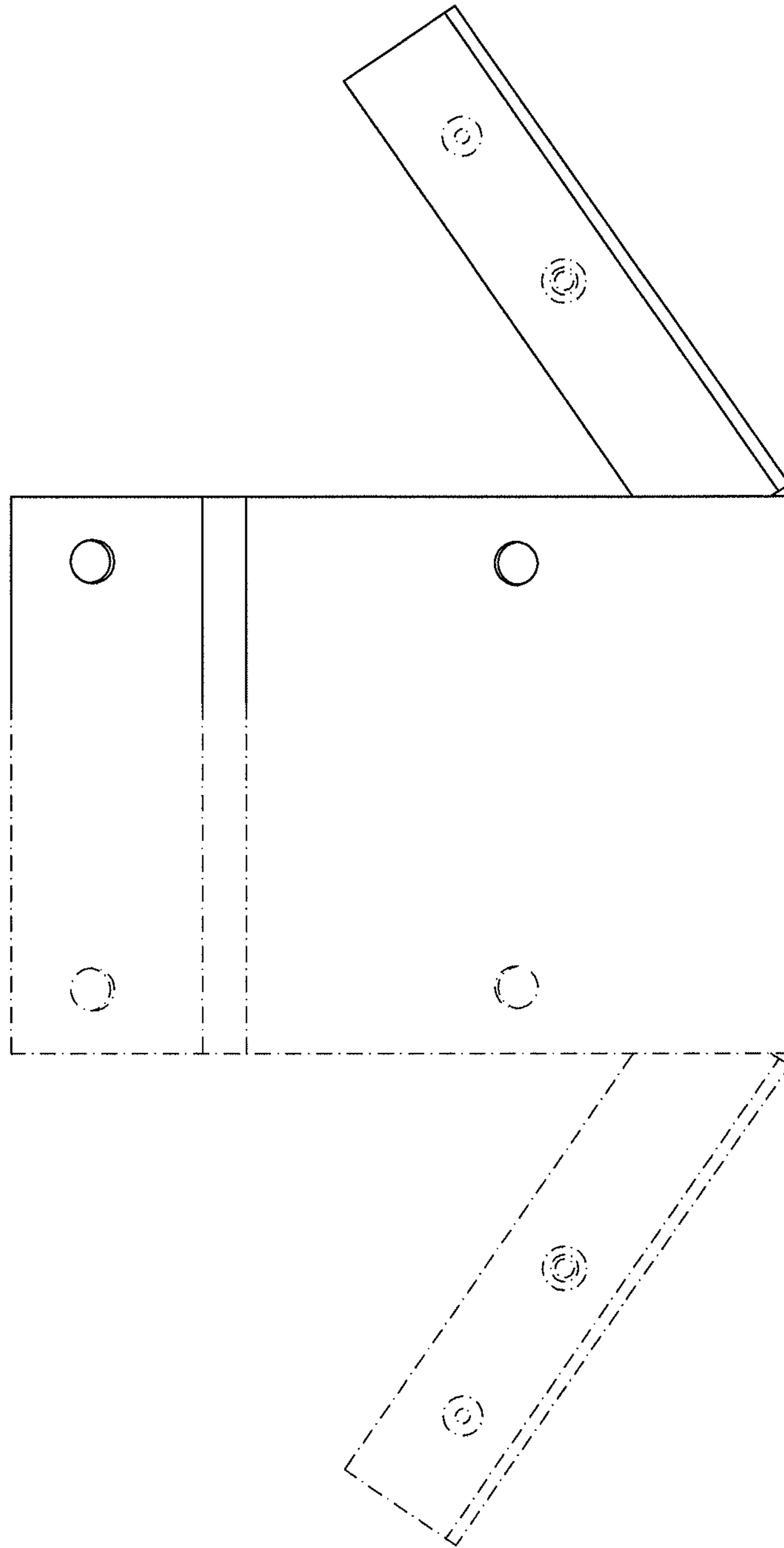


FIG. 1

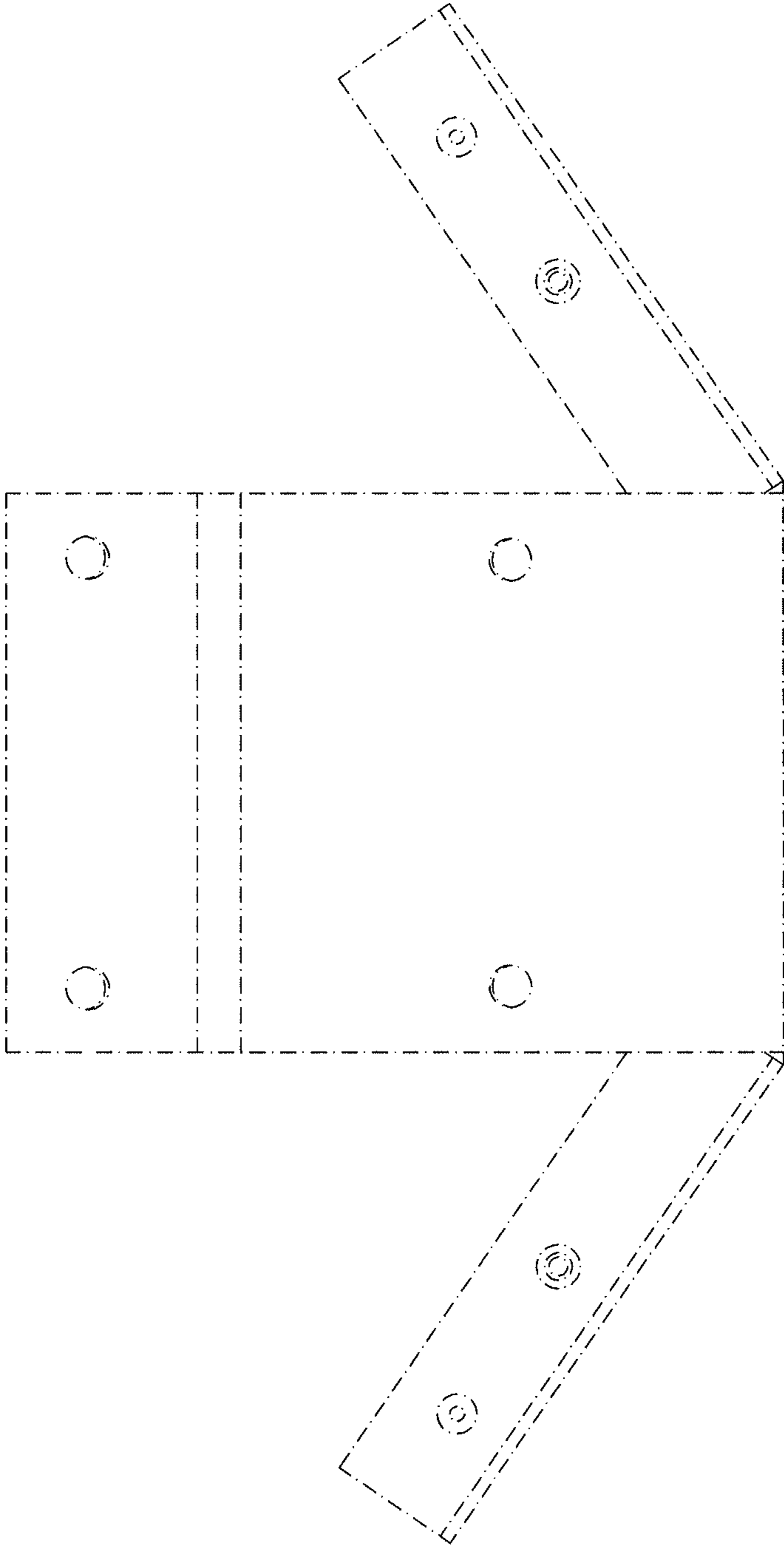


FIG. 2

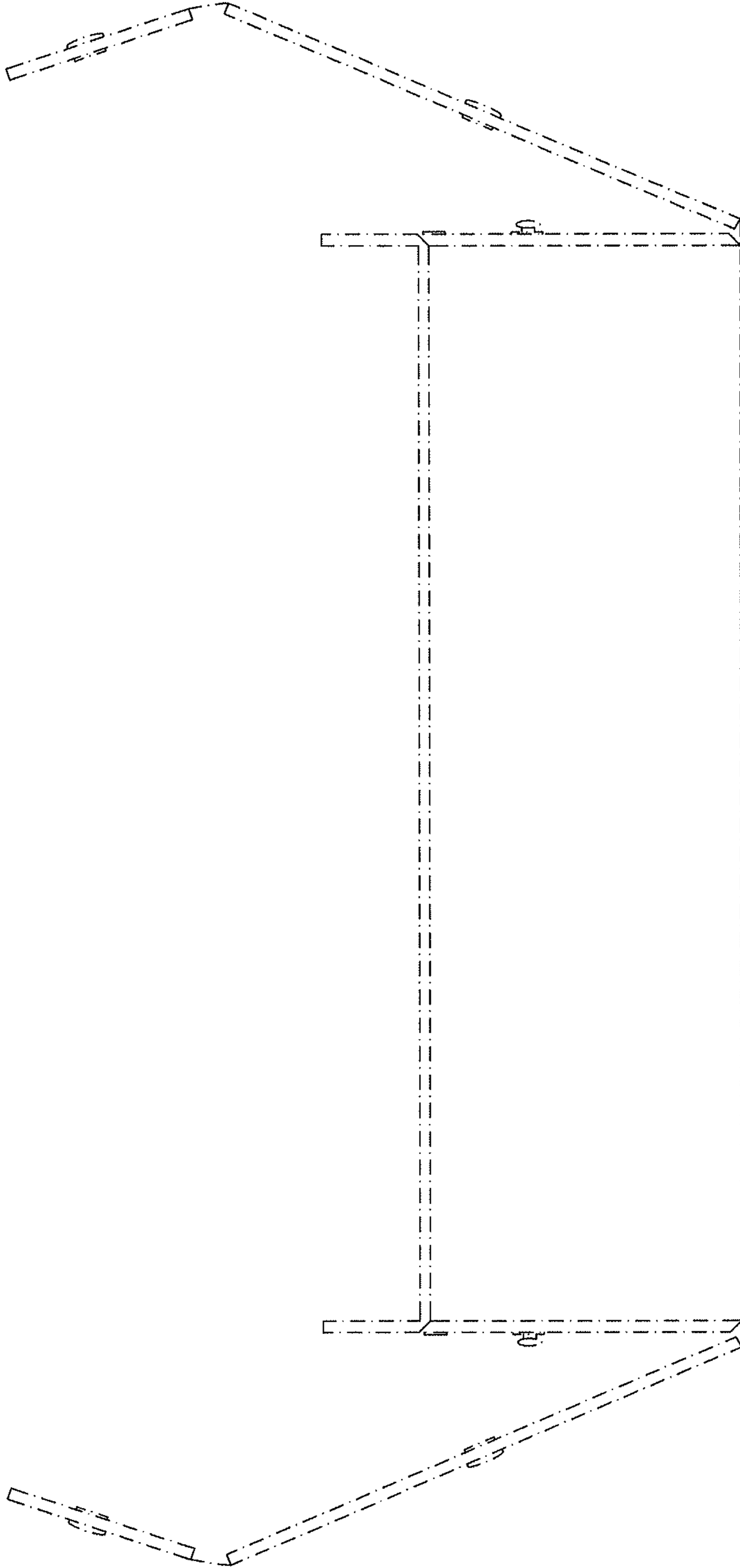


FIG. 3

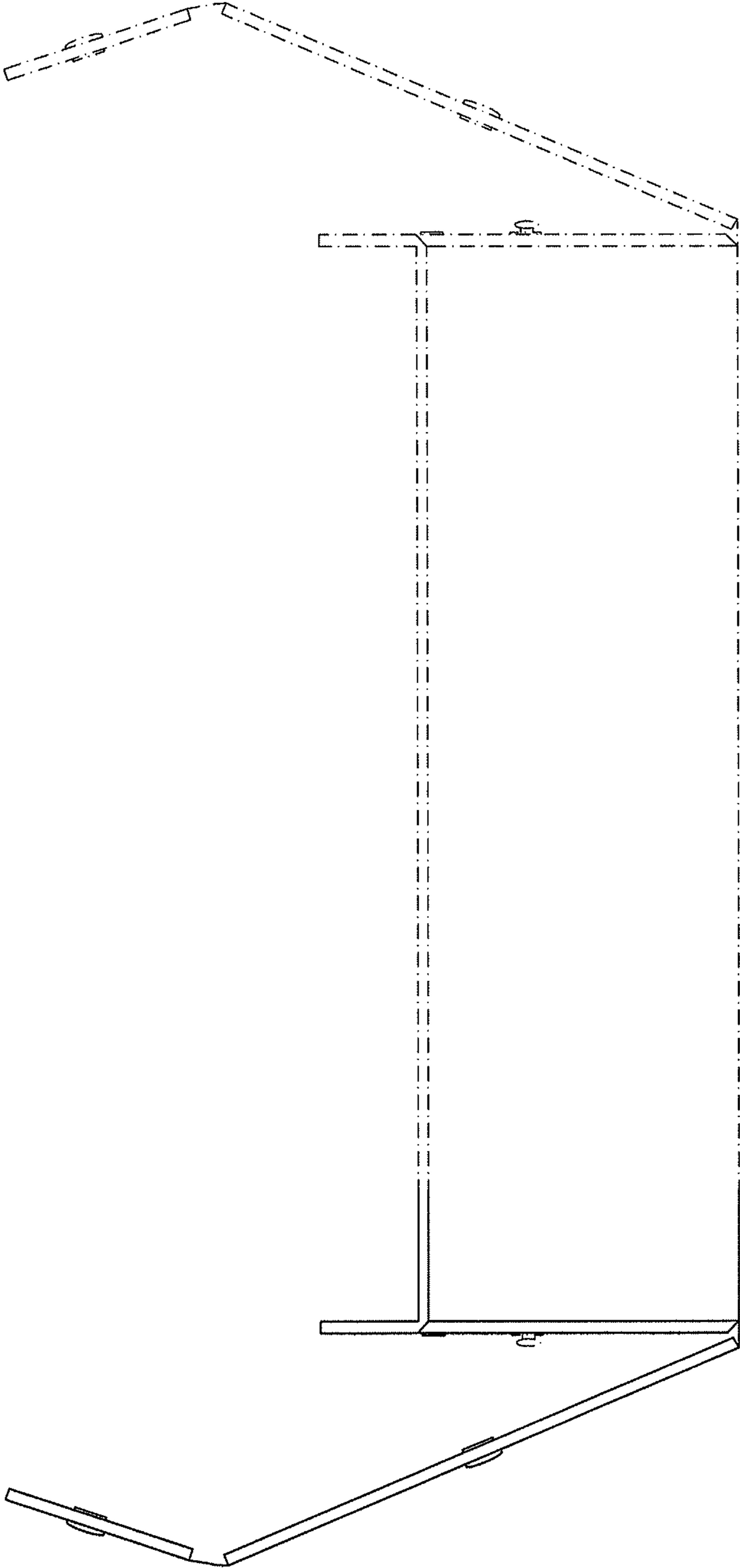


FIG. 4

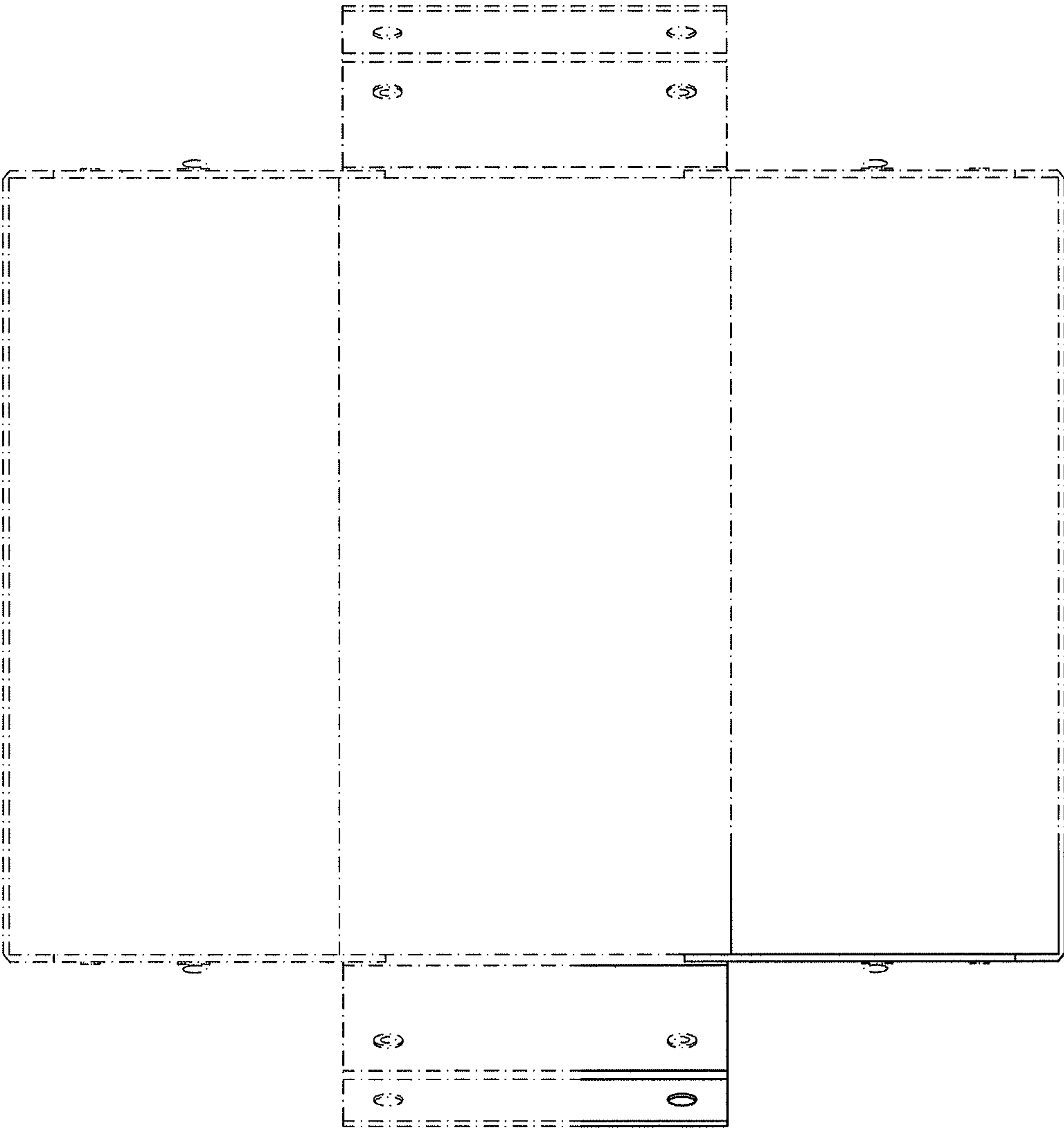


FIG. 5

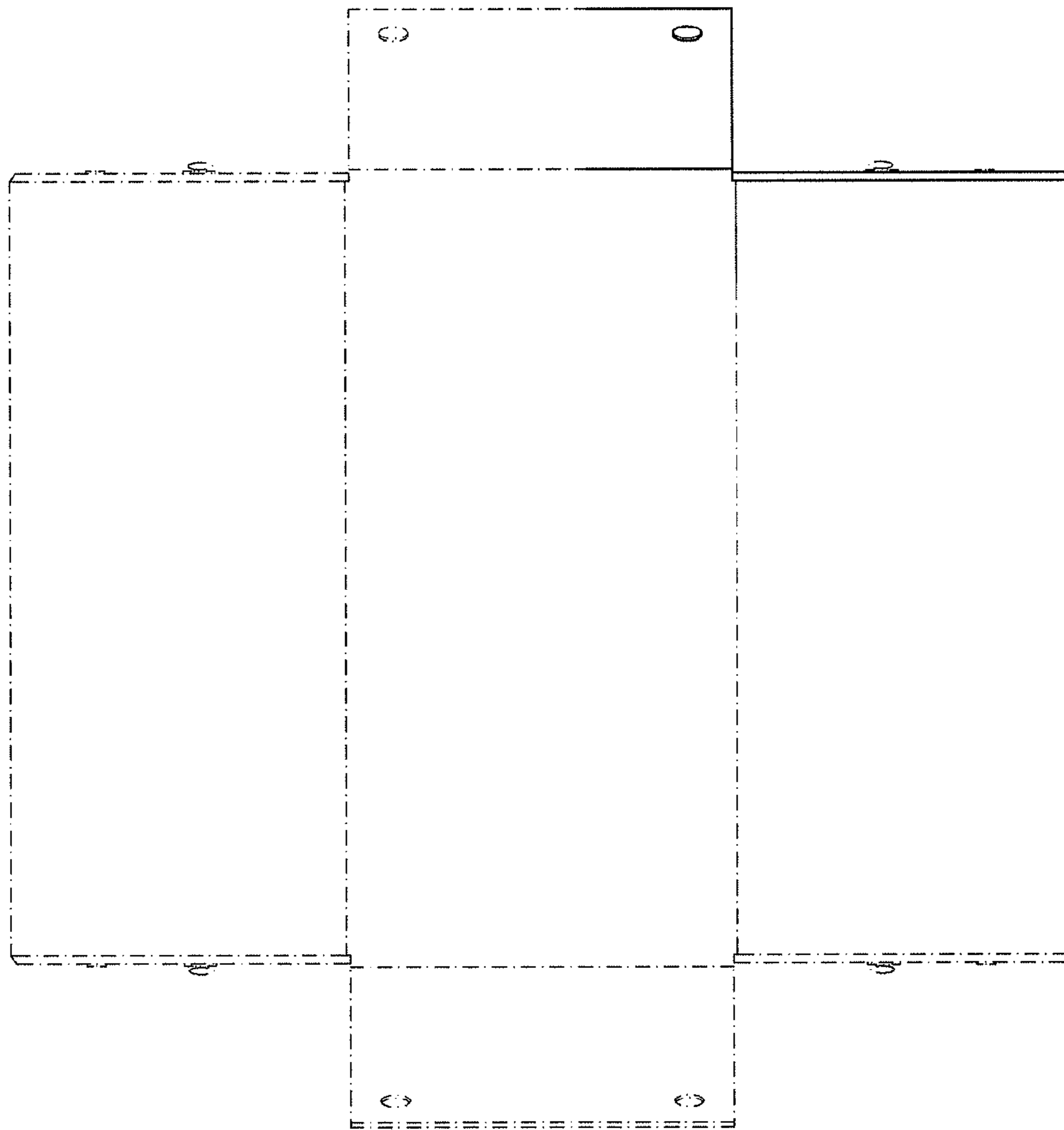


FIG. 6

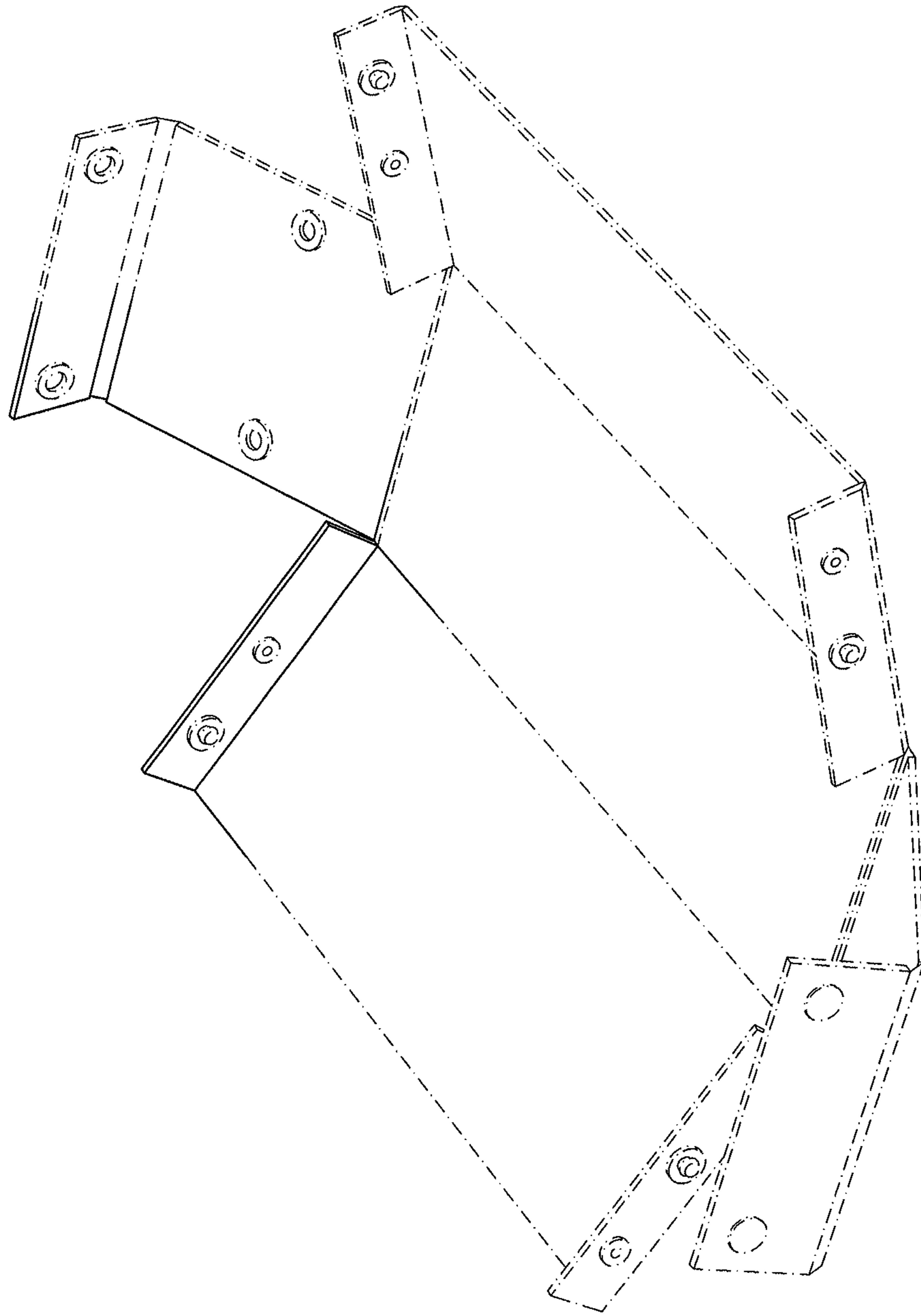


FIG. 7

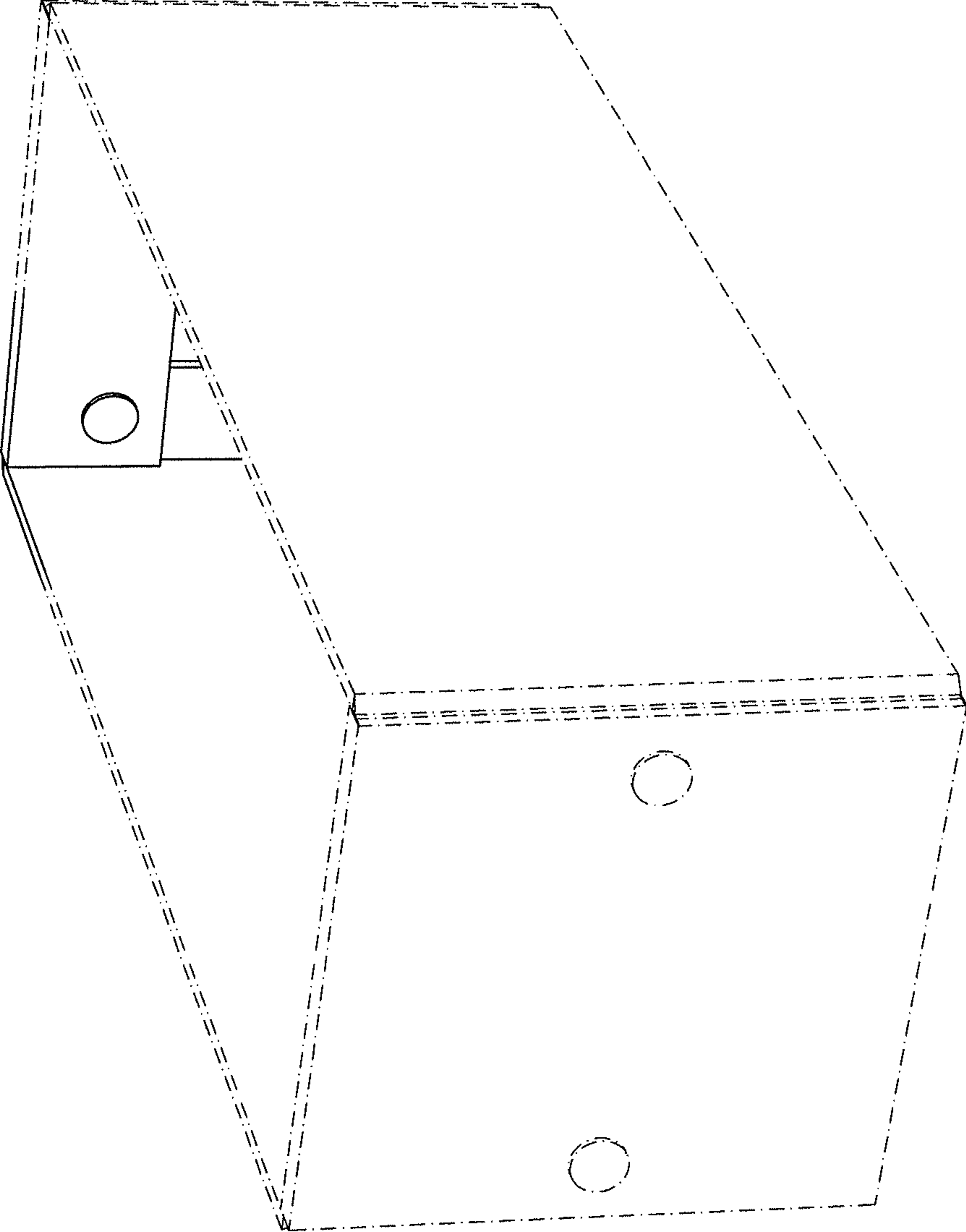


FIG. 8