



US00D688458S

(12) **United States Design Patent**  
**Harris**

(10) **Patent No.:** **US D688,458 S**

(45) **Date of Patent:** **\*\* Aug. 27, 2013**

(54) **DUFFLE BAG WITH SQUARE POCKETS**

(71) Applicant: **Mark R. Harris**, Bowling Green, KY  
(US)

(72) Inventor: **Mark R. Harris**, Bowling Green, KY  
(US)

(73) Assignee: **Cellcorp USA, LLC**

(\*\*) Term: **14 Years**

(21) Appl. No.: **29/432,890**

(22) Filed: **Sep. 21, 2012**

(51) **LOC (9) Cl.** ..... **03-01**

(52) **U.S. Cl.**  
USPC ..... **D3/285**; D3/289; D3/288

(58) **Field of Classification Search**  
USPC ..... D3/273, 276, 280, 283–293, 301,  
D3/300, 294; 190/100–127, 900–903;  
150/106, 107, 108, 110, 111, 112, 118;  
206/320; 383/12, 16, 38–40, 104, 907; 220/6,  
220/9.1–9.4

See application file for complete search history.

(56) **References Cited**

**U.S. PATENT DOCUMENTS**

4,210,186	A *	7/1980	Belenson	.....	206/316.2
4,463,789	A *	8/1984	Leiserson	.....	383/97
D317,081	S *	5/1991	King	.....	D3/287
5,413,199	A *	5/1995	Clement	.....	190/108
5,427,453	A	6/1995	Cloessner		
5,794,747	A *	8/1998	Bryant	.....	190/18 R
5,931,120	A *	8/1999	Burns et al.	.....	119/497
D474,649	S *	5/2003	Spence, Jr.	.....	D7/607
D548,408	S *	8/2007	Martz	.....	D30/109

D575,059	S *	8/2008	Cappiello et al.	.....	D3/283
D620,708	S *	8/2010	Sanz	.....	D3/276
2002/0148741	A1 *	10/2002	Stobbs et al.	.....	206/112
2006/0065500	A1 *	3/2006	Herrig	.....	190/107
2006/0254952	A1 *	11/2006	Trevino et al.	.....	206/581
2008/0210727	A1 *	9/2008	Galloway	.....	224/575
2008/0283350	A1 *	11/2008	Vorderkunz	.....	190/115
2011/0127132	A1 *	6/2011	Fair et al.	.....	190/110
2011/0182532	A1 *	7/2011	Baltus	.....	383/109
2011/0220444	A1 *	9/2011	Perez	.....	190/103
2012/0267365	A1 *	10/2012	Sabounjian	.....	220/6

\* cited by examiner

*Primary Examiner* — Jennifer Rivard

(74) *Attorney, Agent, or Firm* — Kerrick Stivers Coyle, PLC;  
Laura M. Hagan

(57) **CLAIM**

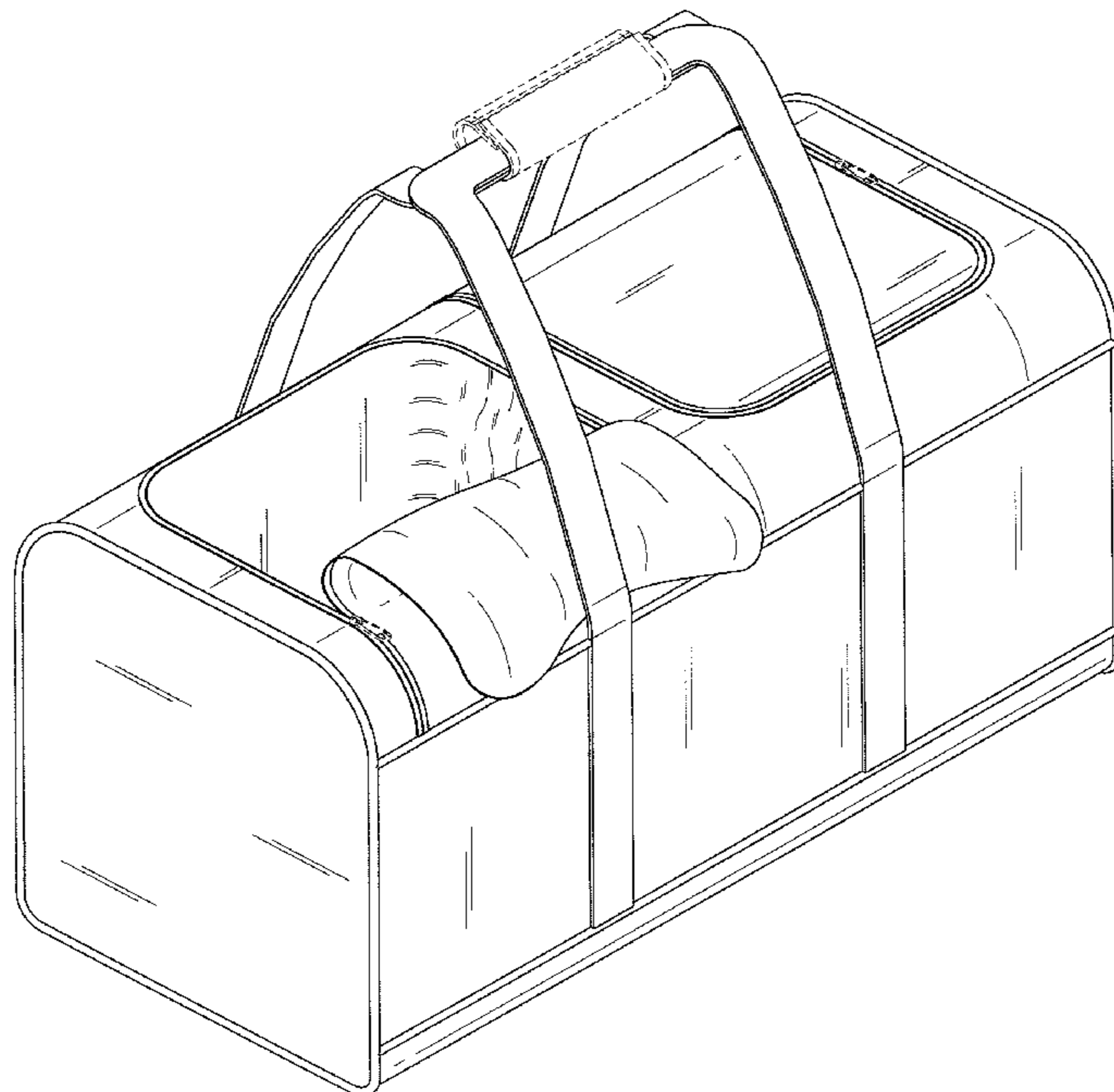
The ornamental design for a duffle bag with square pockets, substantially as shown and described.

**DESCRIPTION**

FIG. 1 is a perspective view of the duffle bag with square pockets, showing my new design;  
FIG. 2 is a perspective view of the duffle bag with square pockets showing one pocket in an open position;  
FIG. 3 is another perspective view of the duffle bag with square pockets;  
FIG. 4 is a front elevational view thereof;  
FIG. 5 is a rear elevational view thereof;  
FIG. 6 is a left side view thereof;  
FIG. 7 is a right side view thereof;  
FIG. 8 is a top plan view thereof; and,  
FIG. 9 is a bottom plan view thereof.

The broken lines showing the handle grip and zipper tag form no part of the claimed design.

**1 Claim, 9 Drawing Sheets**



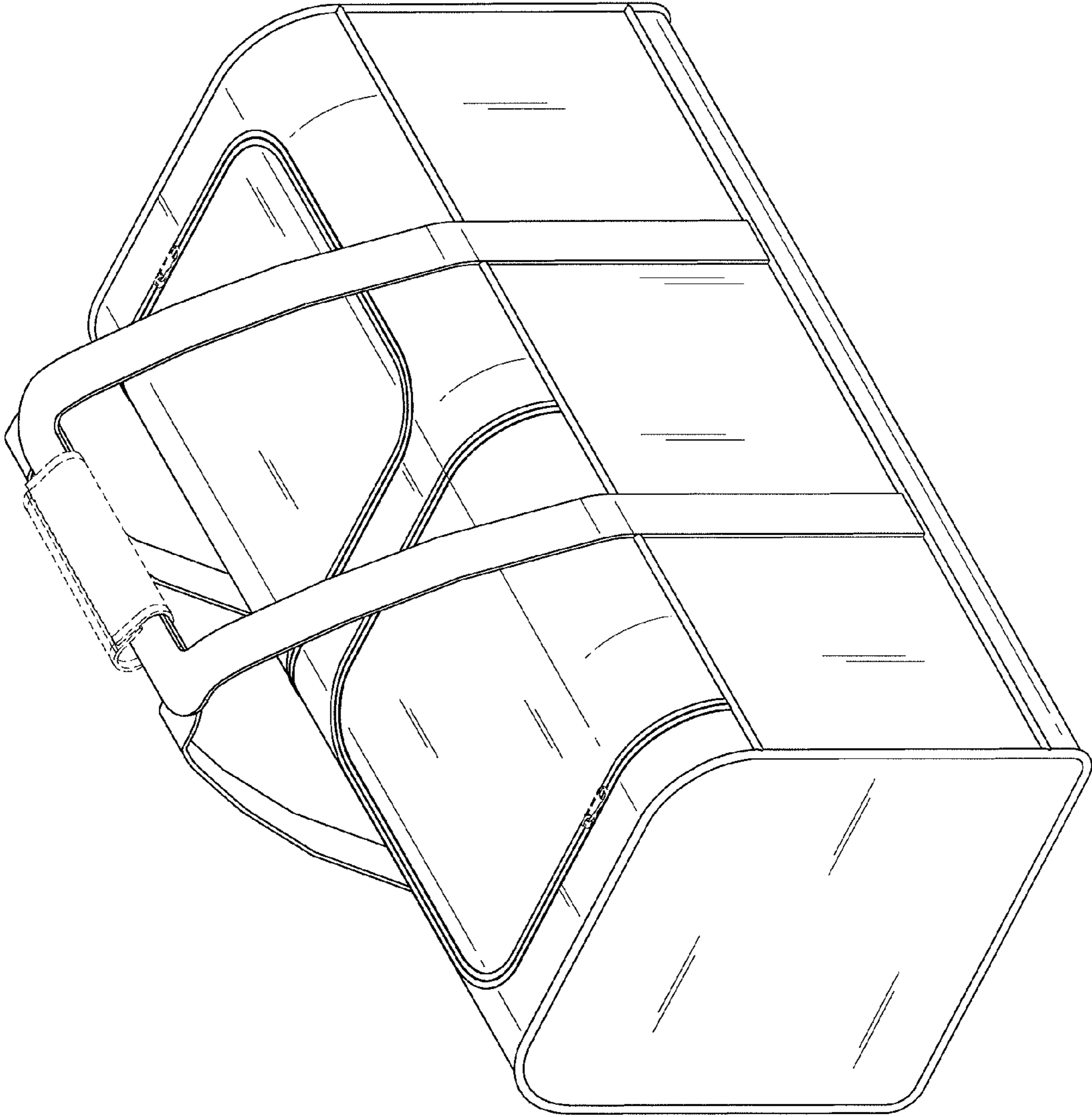


FIG. 1

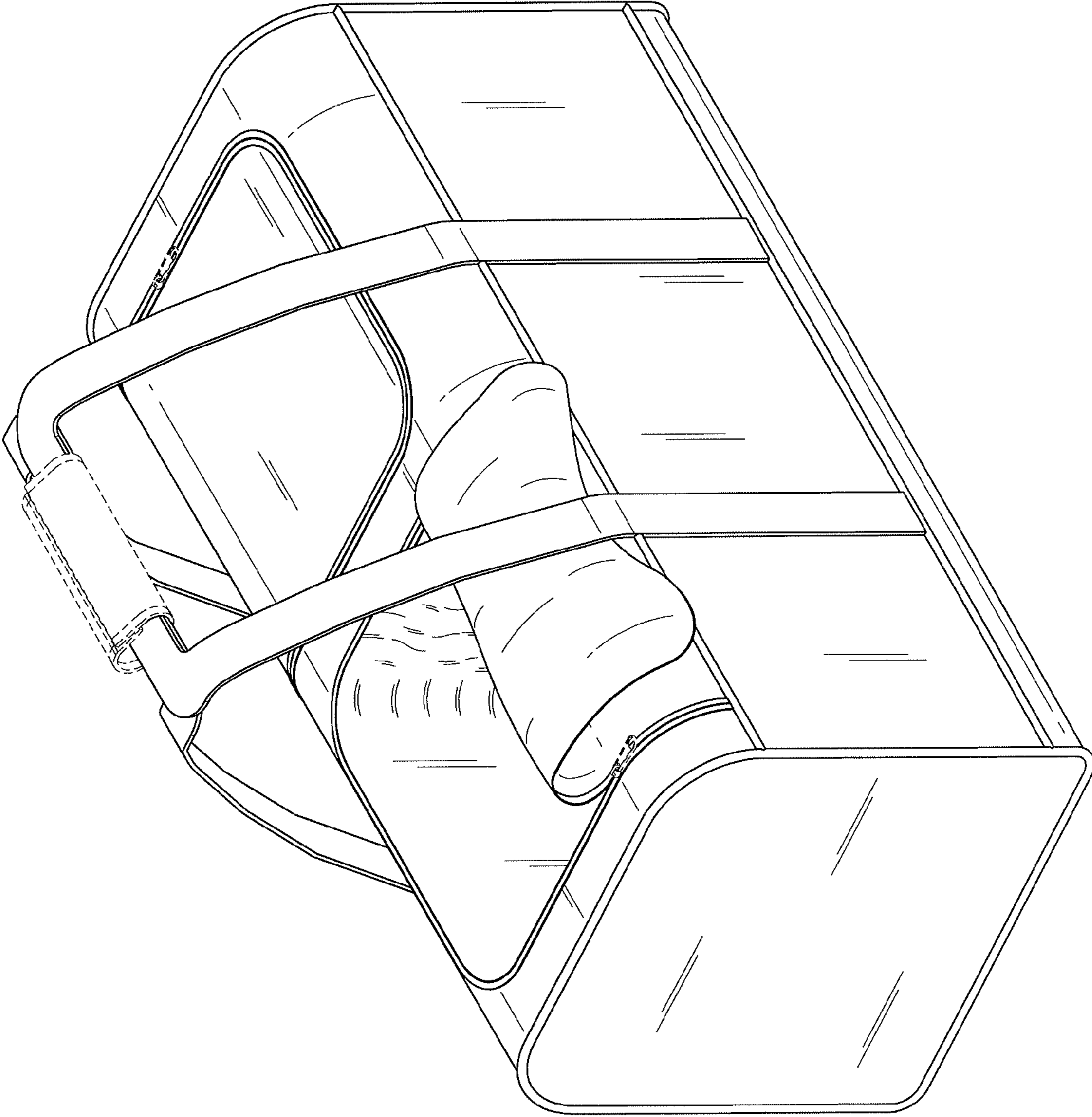


FIG. 2

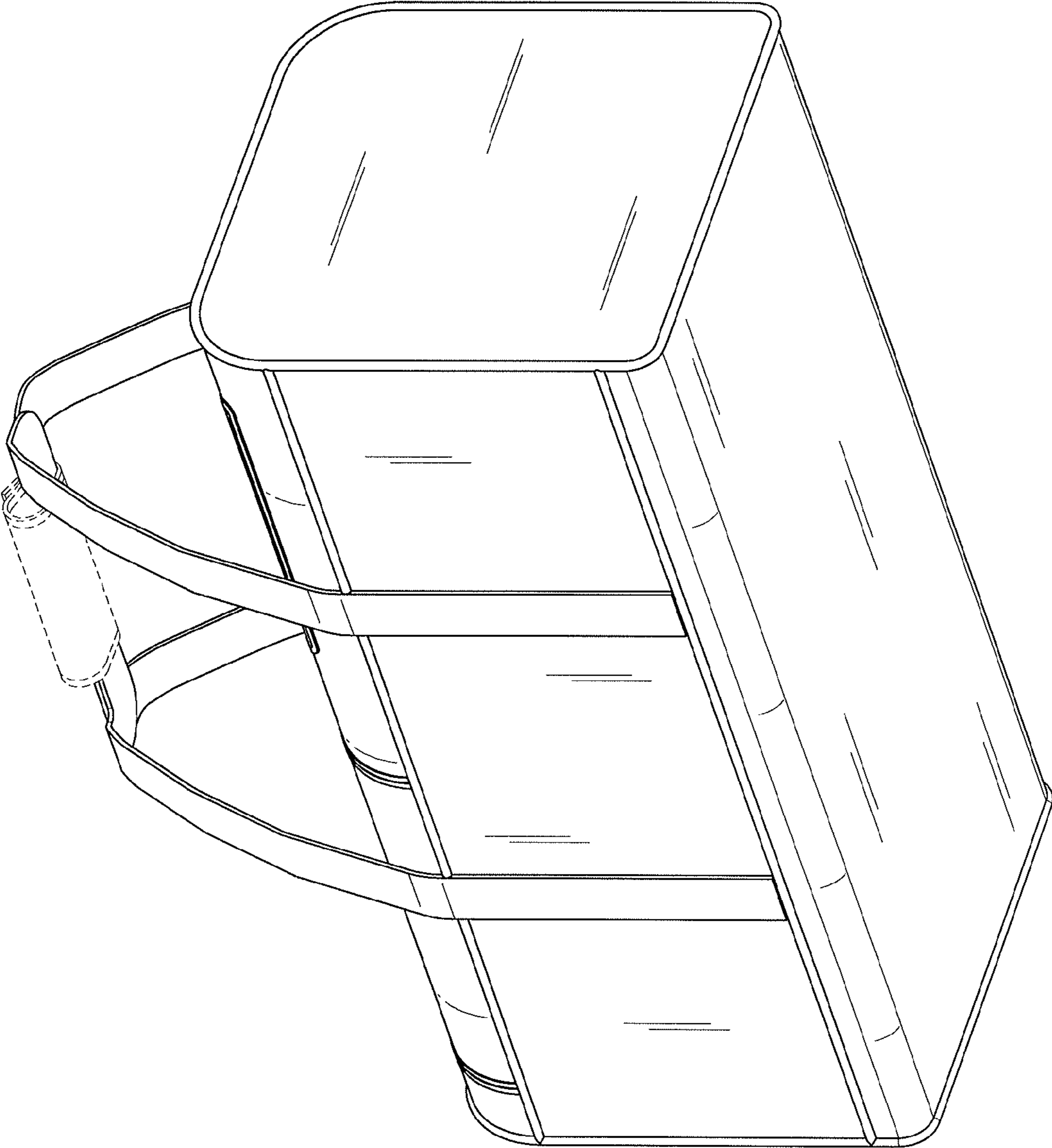


FIG. 3

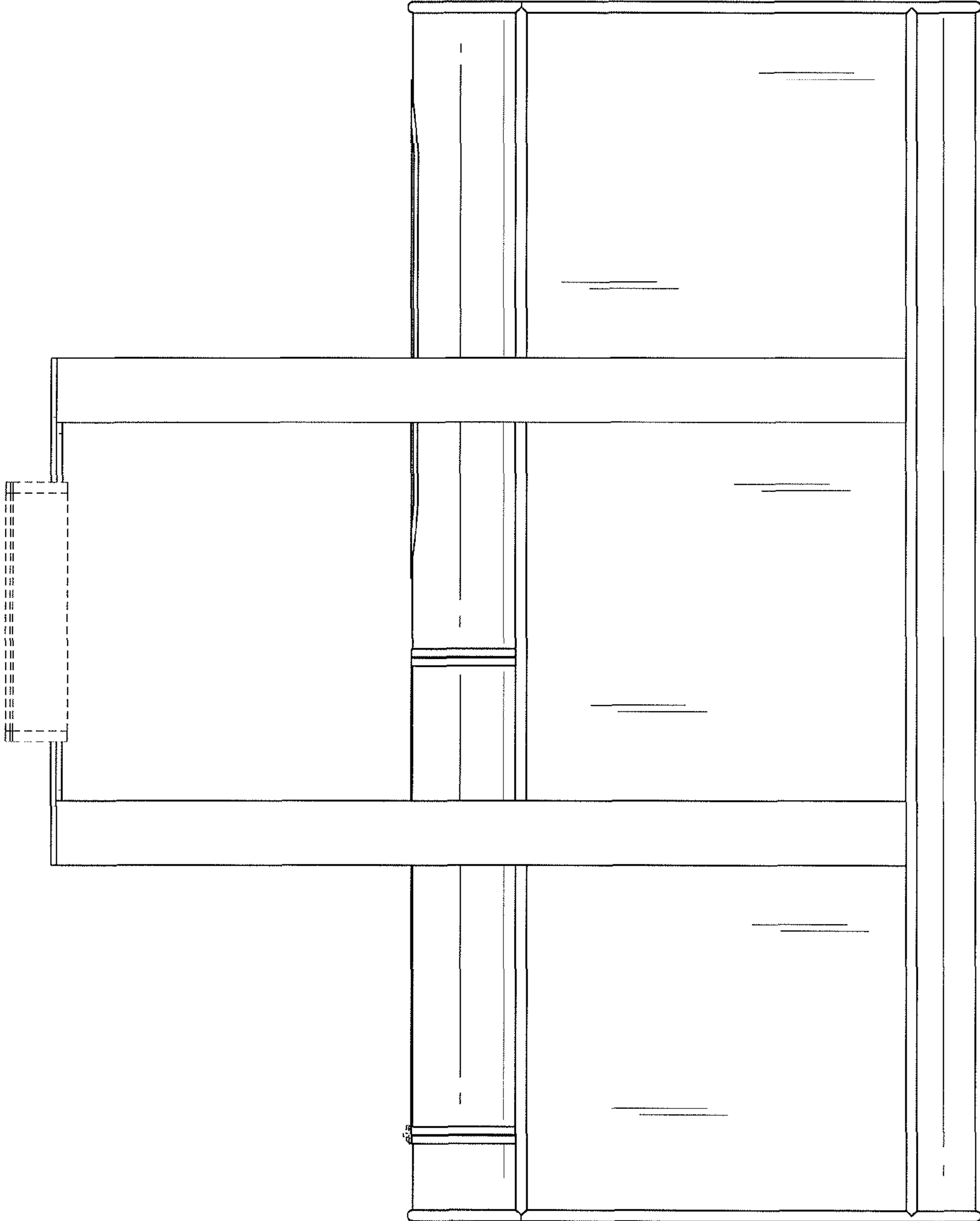


FIG. 4

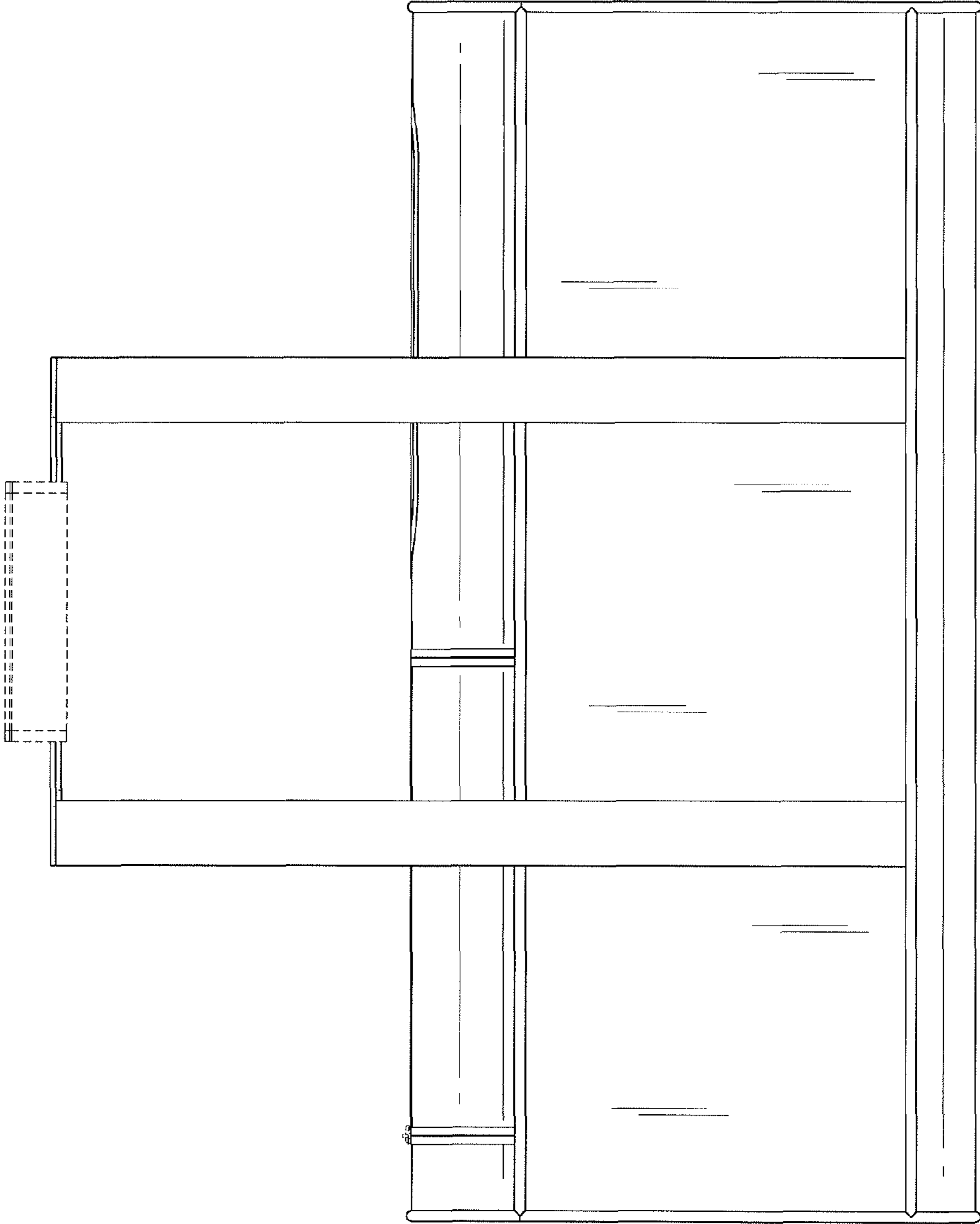


FIG. 5

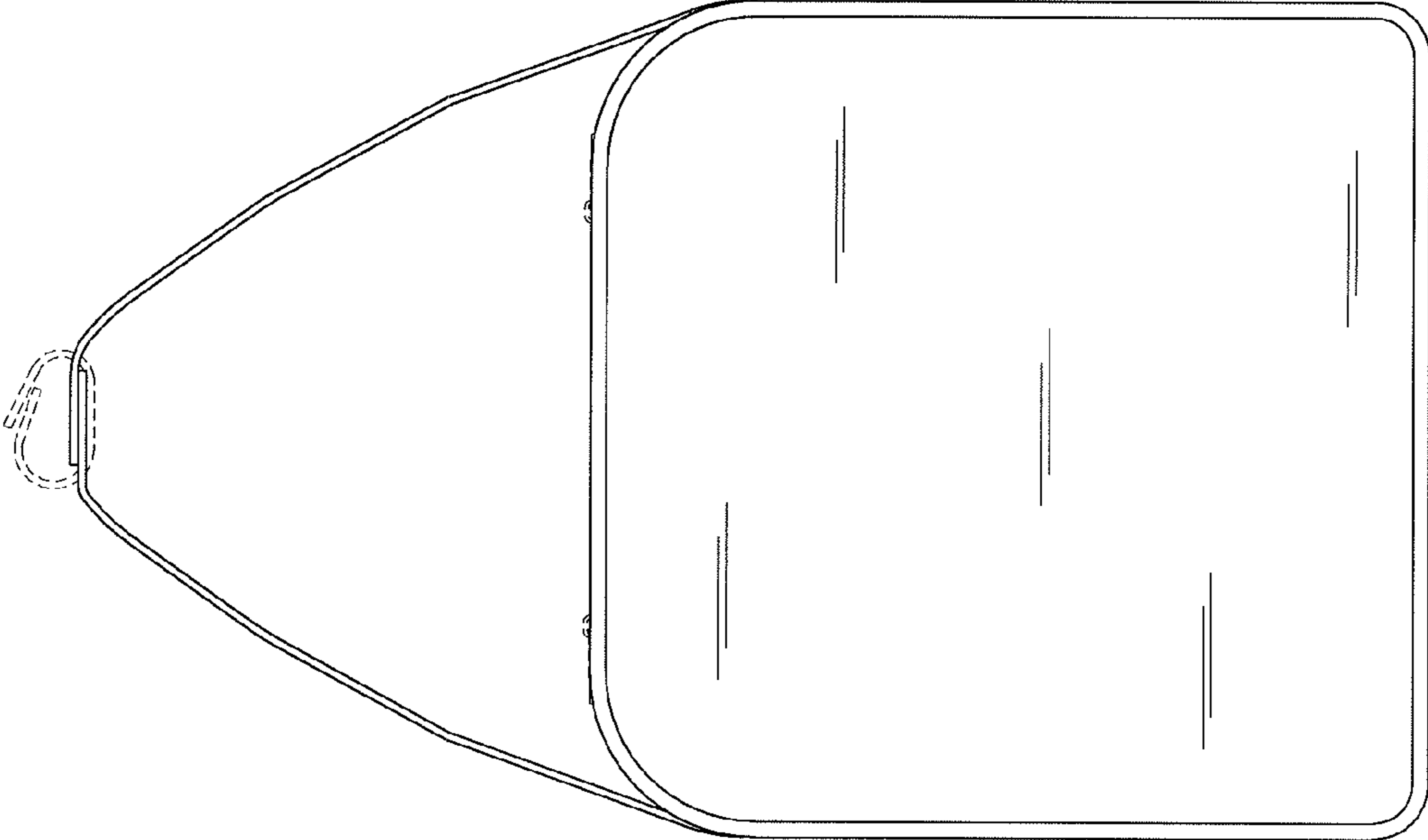


FIG. 6

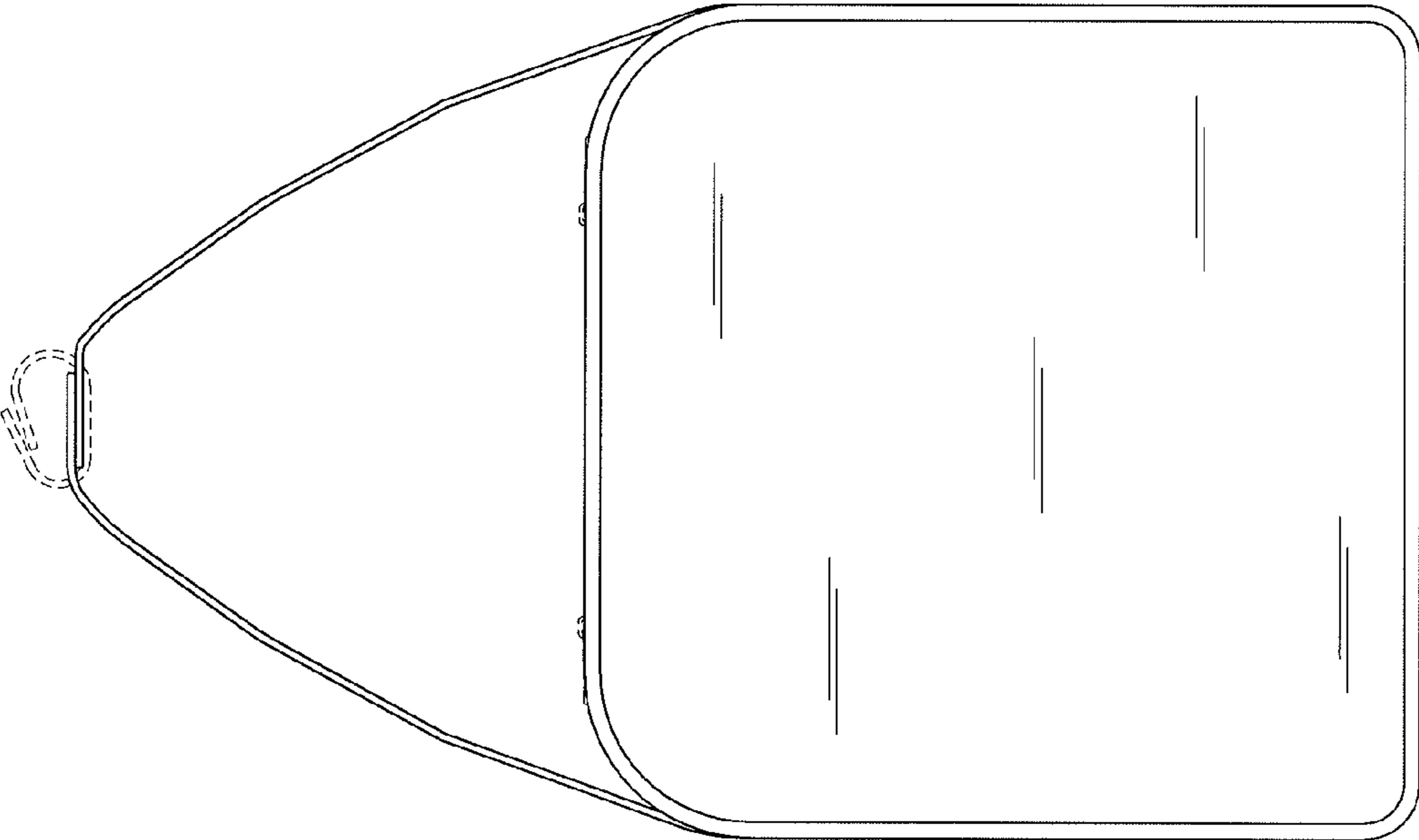


FIG. 7



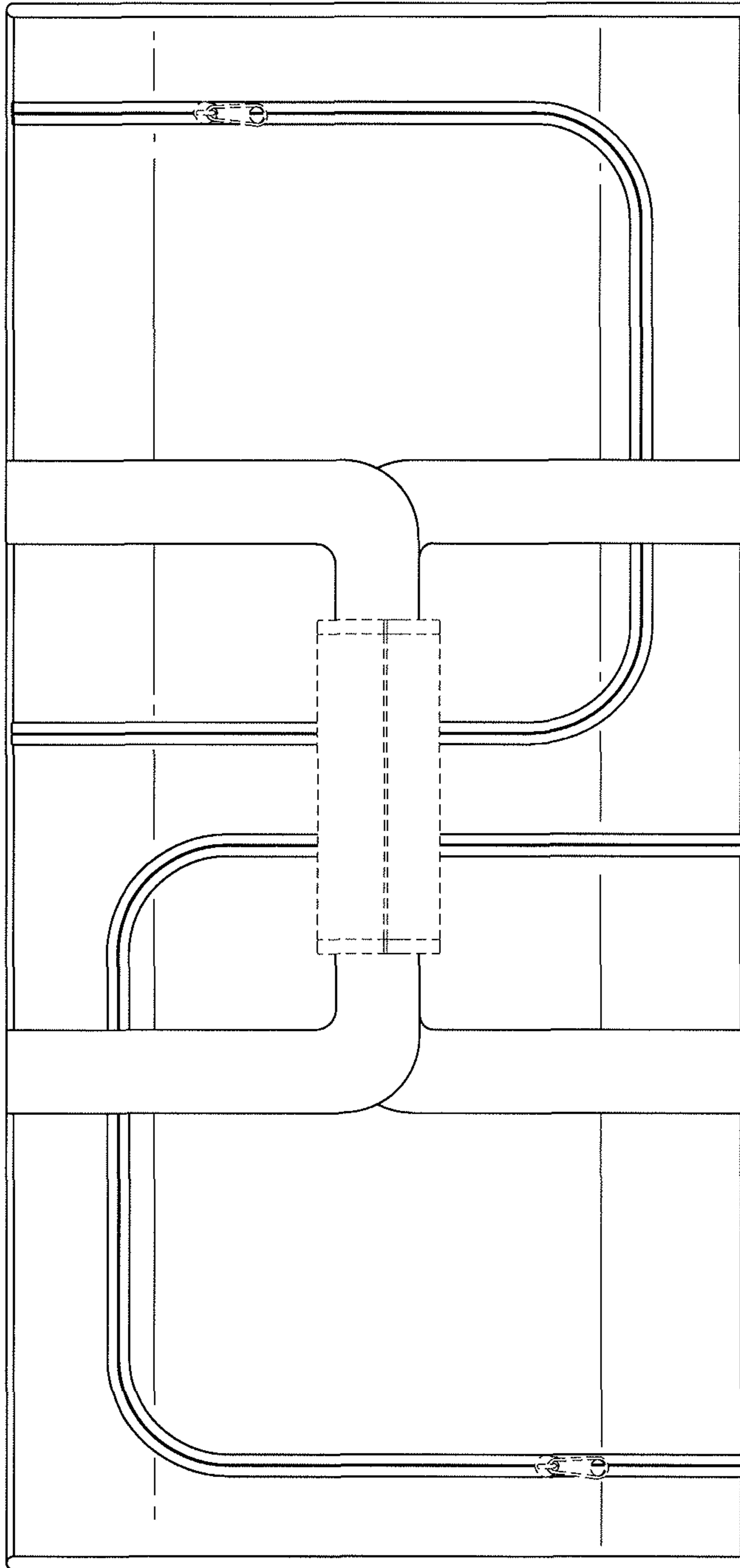


FIG. 8

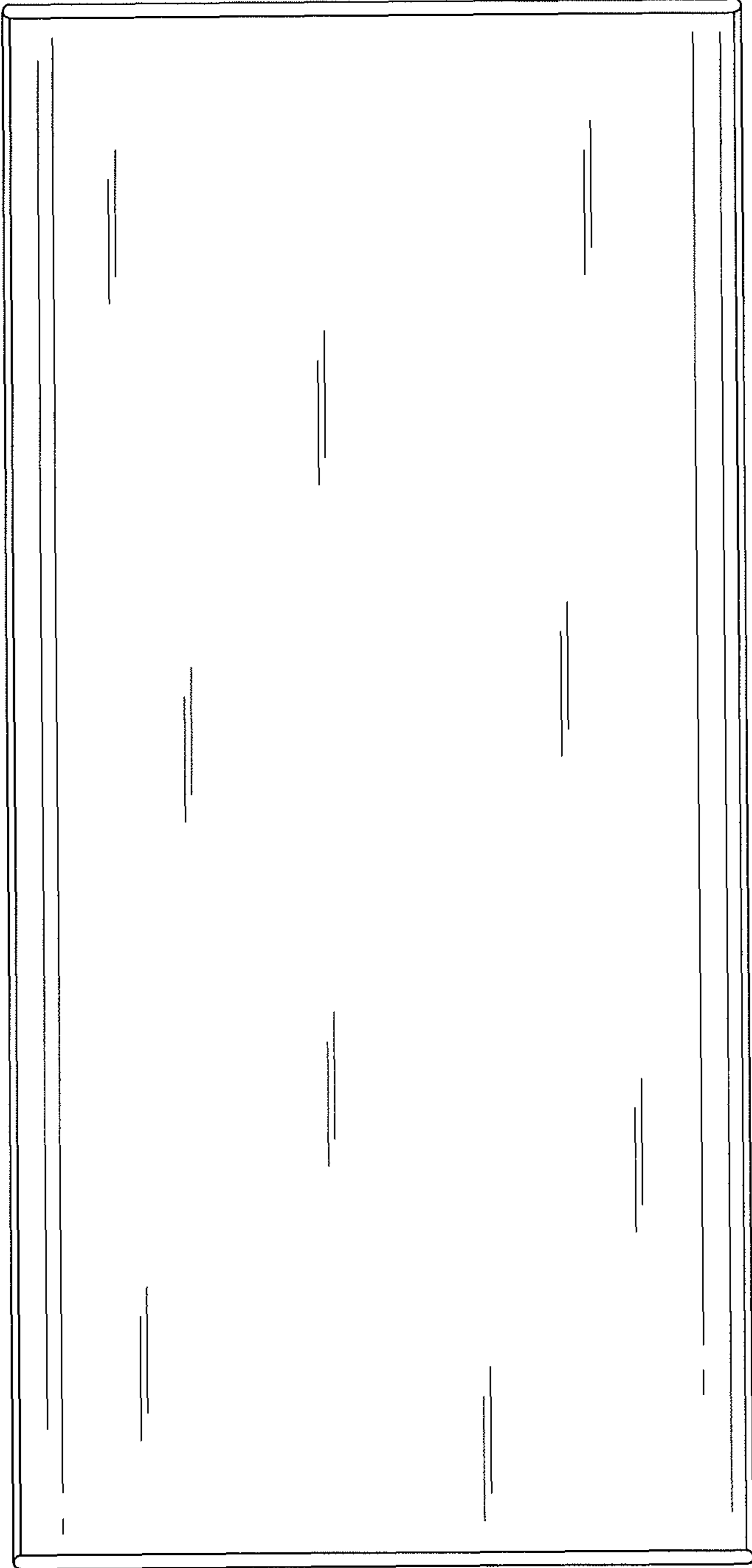


FIG. 9