



US00D688456S

(12) **United States Design Patent**  
**Hare**

(10) **Patent No.:** **US D688,456 S**

(45) **Date of Patent:** **\*\* Aug. 27, 2013**

(54) **PORTABLE SHOE TOTE**

(76) Inventor: **Denise Hare**, Atlanta, GA (US)

(\*\*) Term: **14 Years**

(21) Appl. No.: **29/430,192**

(22) Filed: **Aug. 22, 2012**

**Related U.S. Application Data**

(63) Continuation-in-part of application No. 12/627,518, filed on Nov. 30, 2009, now abandoned.

(51) **LOC (9) Cl.** ..... **03-01**

(52) **U.S. Cl.**  
USPC ..... **D3/279; D3/284**

(58) **Field of Classification Search**  
USPC ..... D3/273, 276, 278–279, 283–285, D3/289; 190/13 F, 13 R, 14, 15 R, 15 A, 190/100–127; 206/278, 286–287.1  
See application file for complete search history.

(56) **References Cited**

**U.S. PATENT DOCUMENTS**

1,968,580	A	7/1934	Wheary	
2,638,192	A	5/1953	Tuller	
3,858,693	A	1/1975	Dubenko	
4,699,267	A	10/1987	Burke	
D315,986	S *	4/1991	Blevins	D3/279
5,129,491	A	7/1992	Seidman	
D375,628	S	11/1996	Williamson	
5,779,036	A	7/1998	Westbrook et al.	
6,481,574	B1	11/2002	Pakosh	

D470,311	S	2/2003	Mitchell	
D666,816	S *	9/2012	Weber	D3/279
2007/0089954	A1 *	4/2007	Eardley et al.	190/110
2007/0090062	A1	4/2007	Girault et al.	
2007/0295570	A1 *	12/2007	Campbell et al.	190/15 R

\* cited by examiner

*Primary Examiner* — Jennifer Rivard

(74) *Attorney, Agent, or Firm* — Robert C. Montgomery; Montgomery Patent & Design

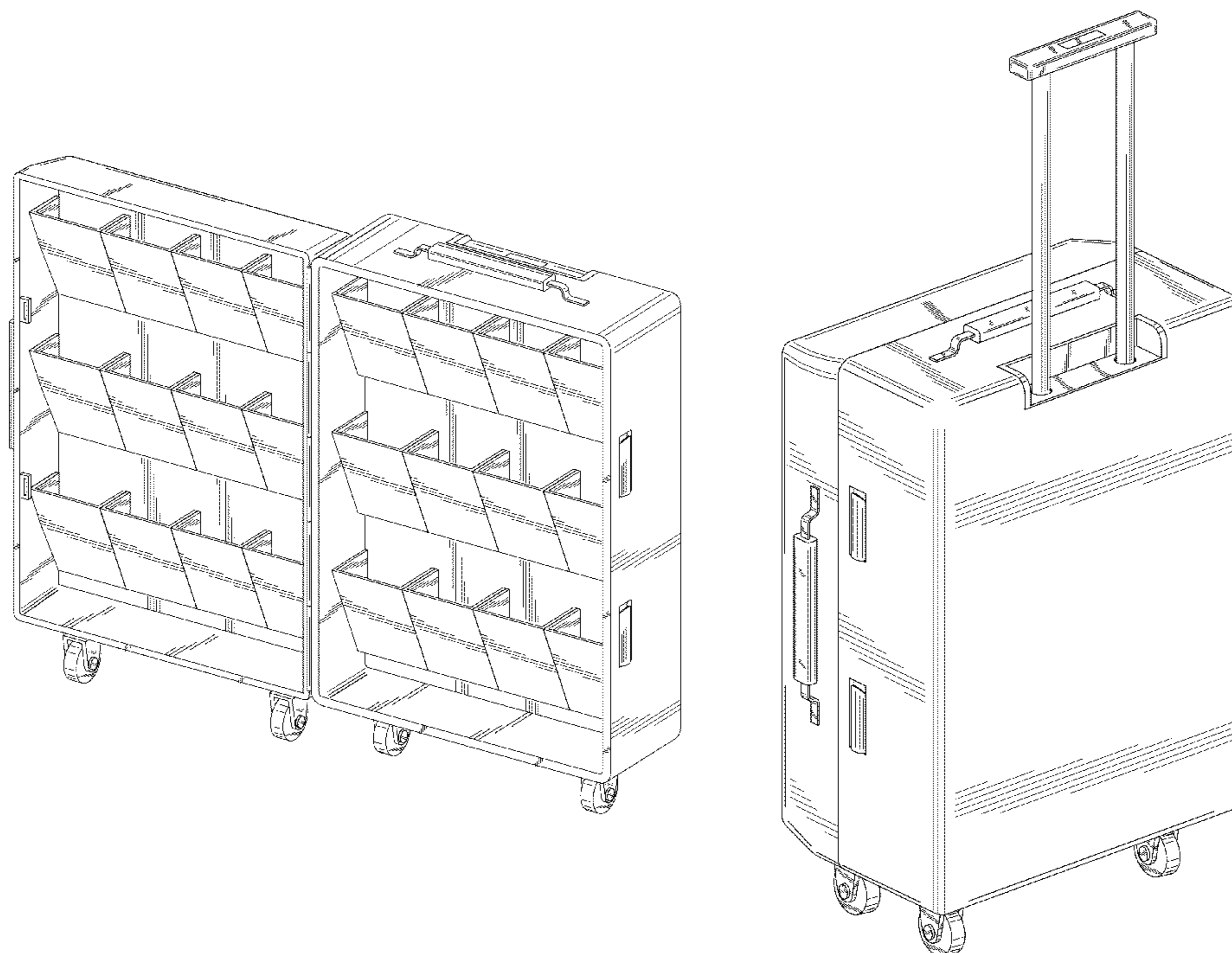
(57) **CLAIM**

The ornamental design for a portable shoe tote, as shown and described.

**DESCRIPTION**

FIG. 1 is a front perspective view of a portable shoe tote depicted in an open configuration, showing my new design; FIG. 2 is a front view of the portable shoe tote of FIG. 1; FIG. 3 is a rear view of the portable shoe tote of FIG. 1; FIG. 4 is a left side view of the portable shoe tote of FIG. 1; FIG. 5 is a right side view of the portable shoe tote of FIG. 1; FIG. 6 is a top view of the portable shoe tote of FIG. 1; FIG. 7 is a bottom view of the portable shoe tote of FIG. 1; FIG. 8 is a front perspective view of the portable shoe tote depicted in a closed configuration; and, FIG. 9 is a rear perspective view of the portable shoe tote depicted in the closed configuration with a retractable handle in an extended position.

**1 Claim, 9 Drawing Sheets**



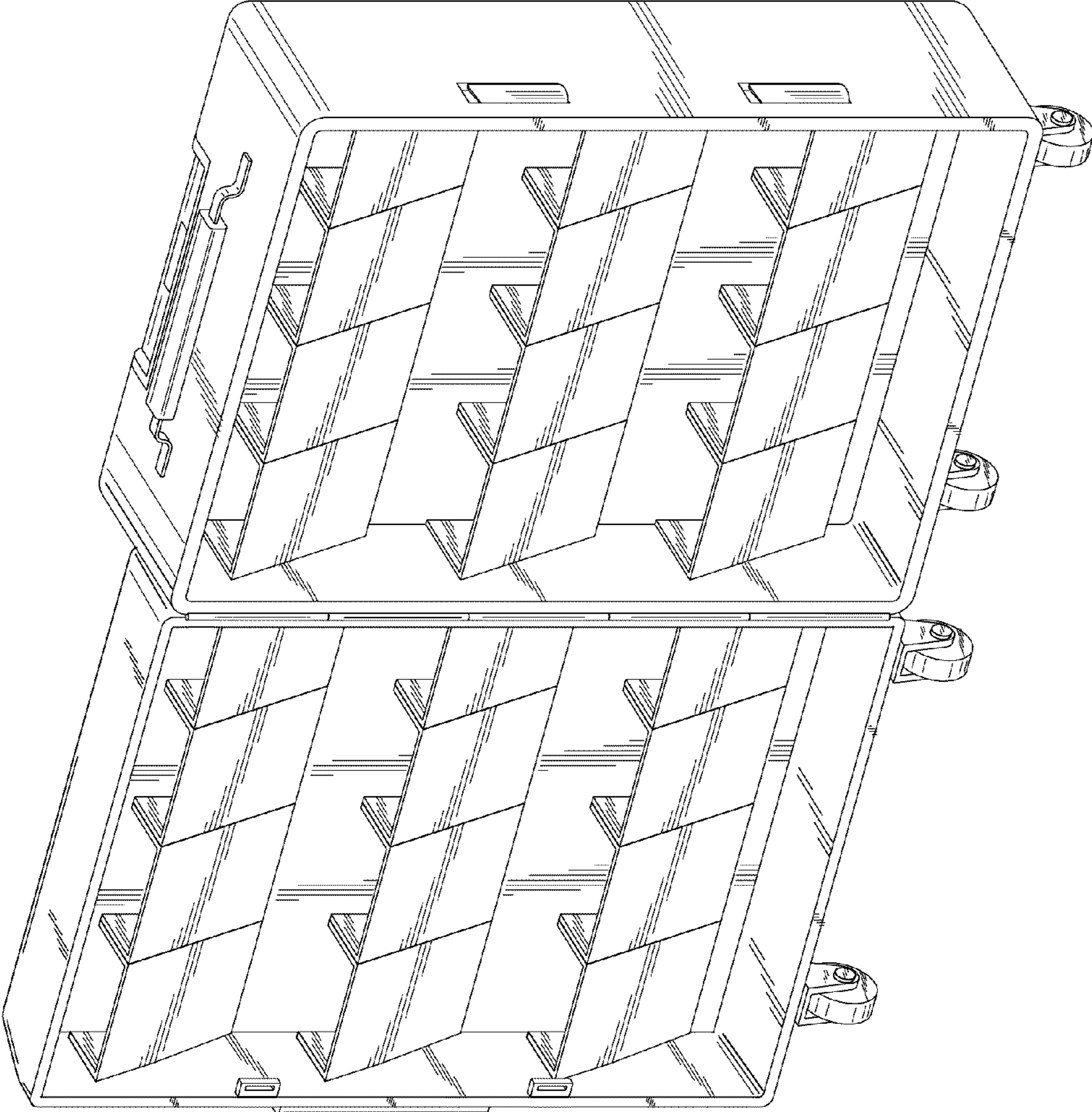


Fig. 1

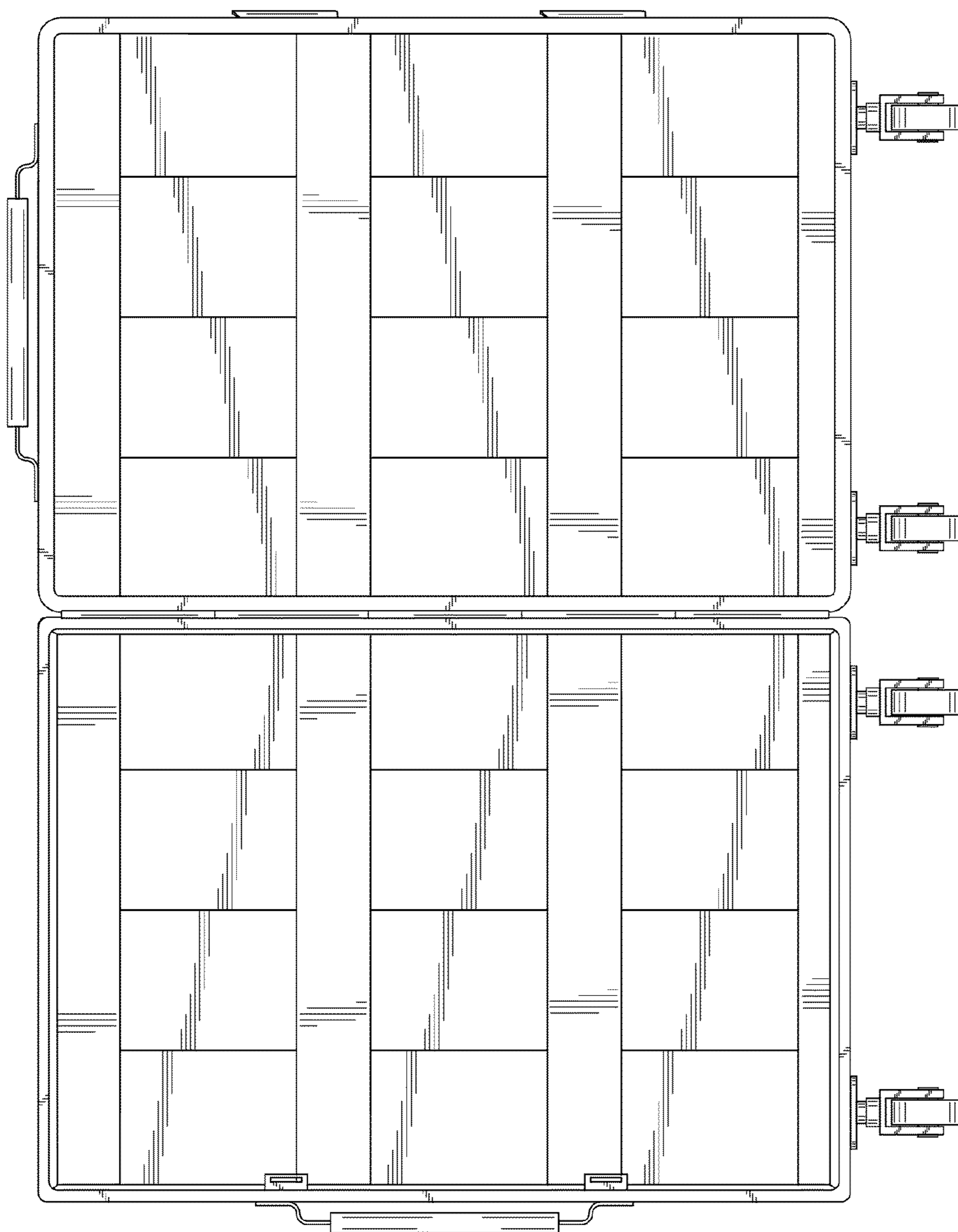


Fig. 2



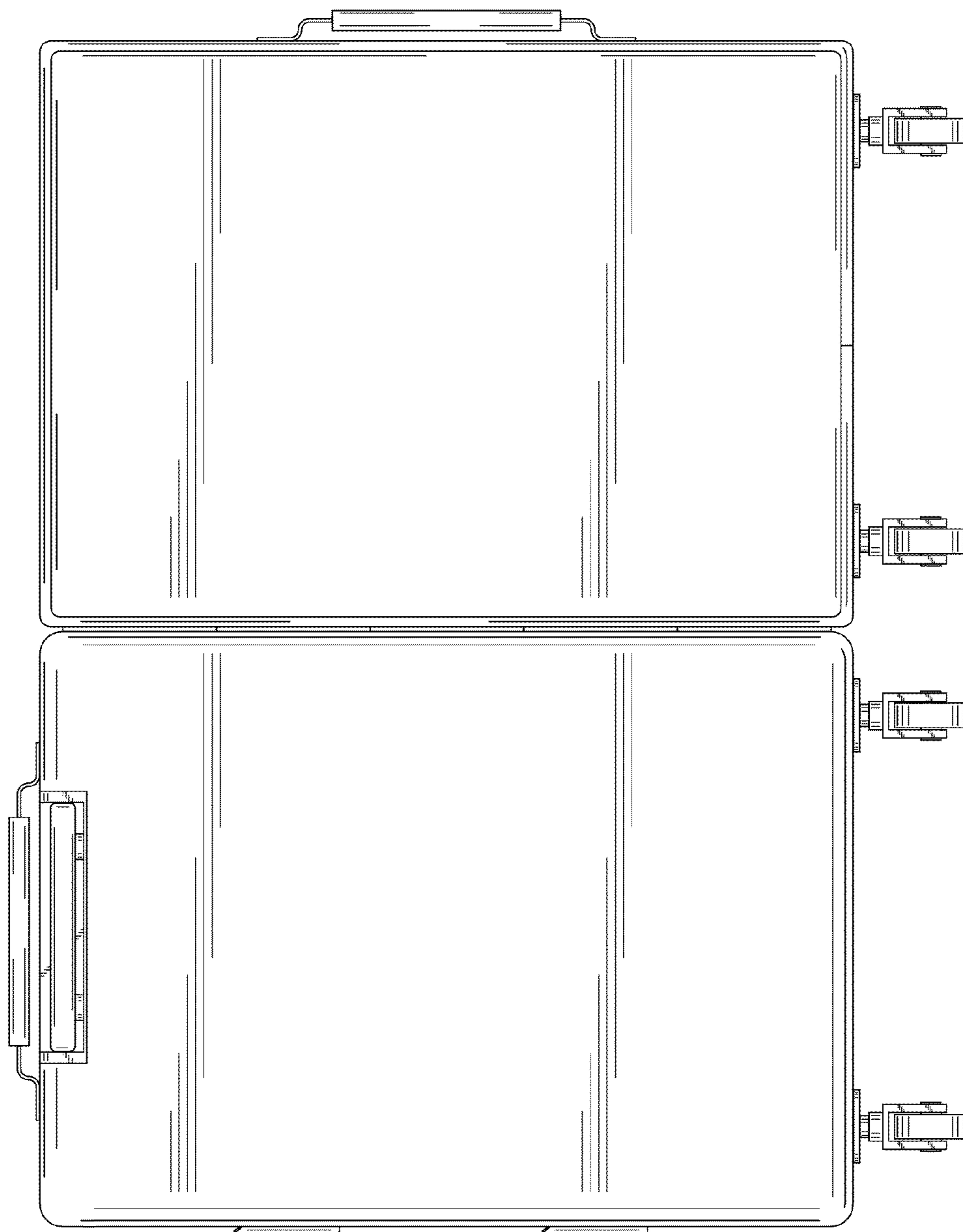


Fig. 3

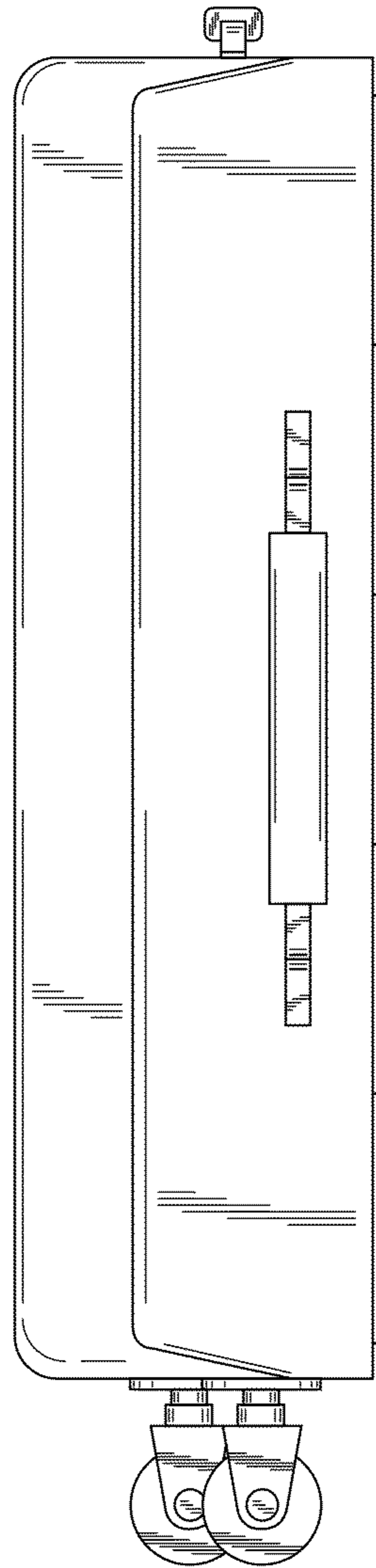


Fig. 4

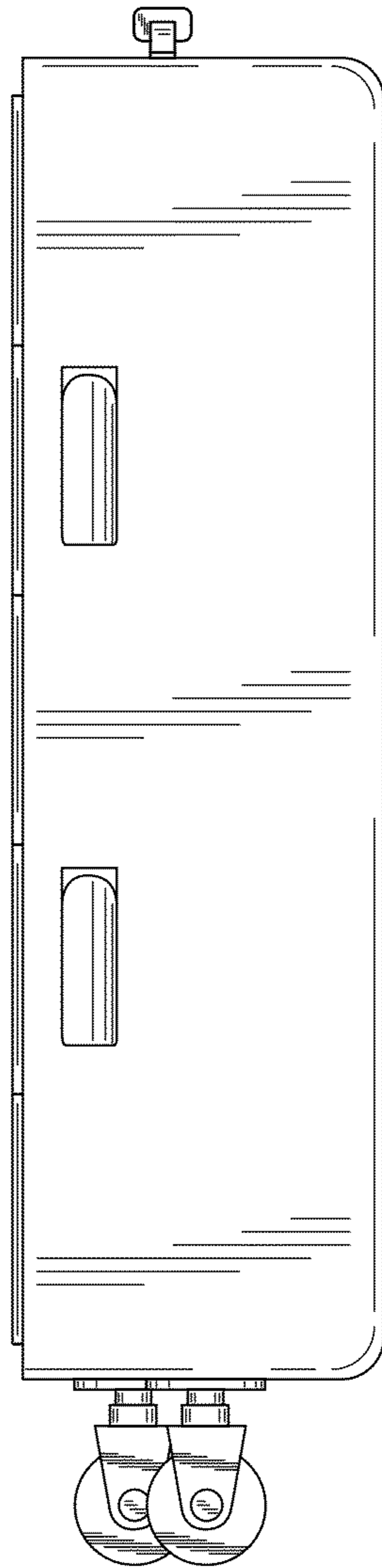


Fig. 5

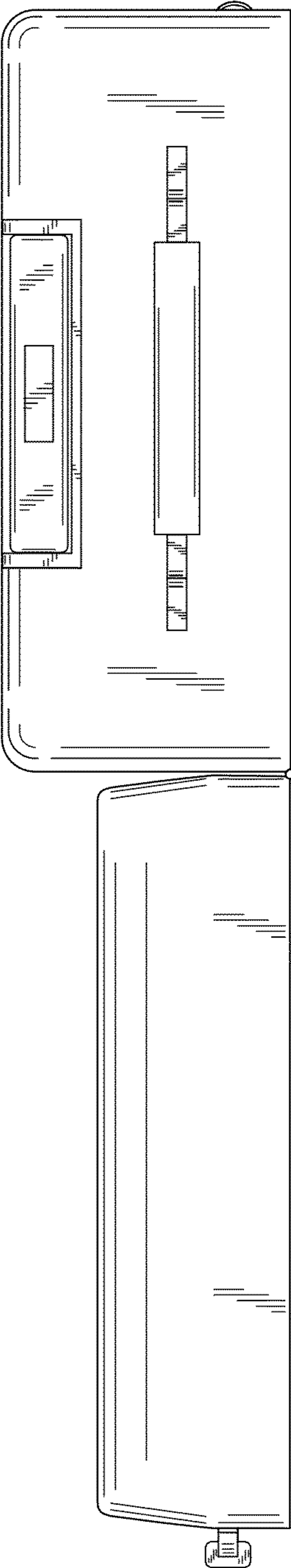


Fig. 6

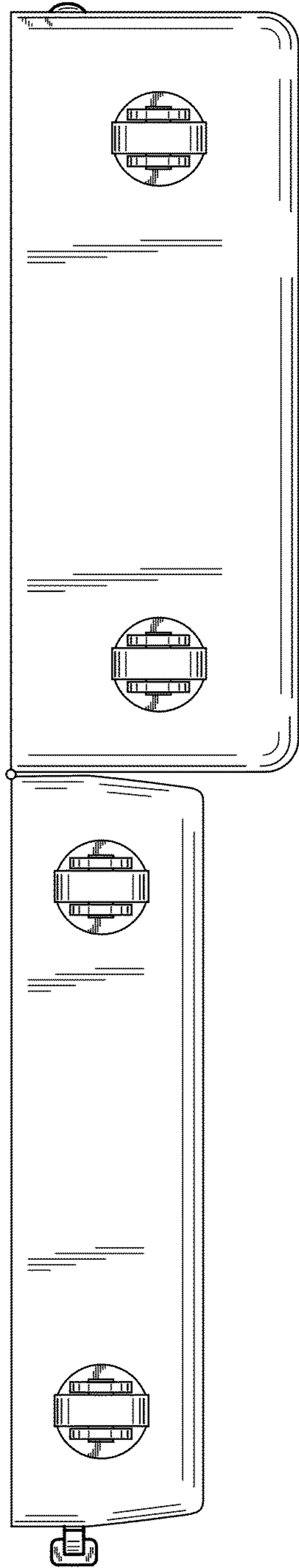


Fig. 7



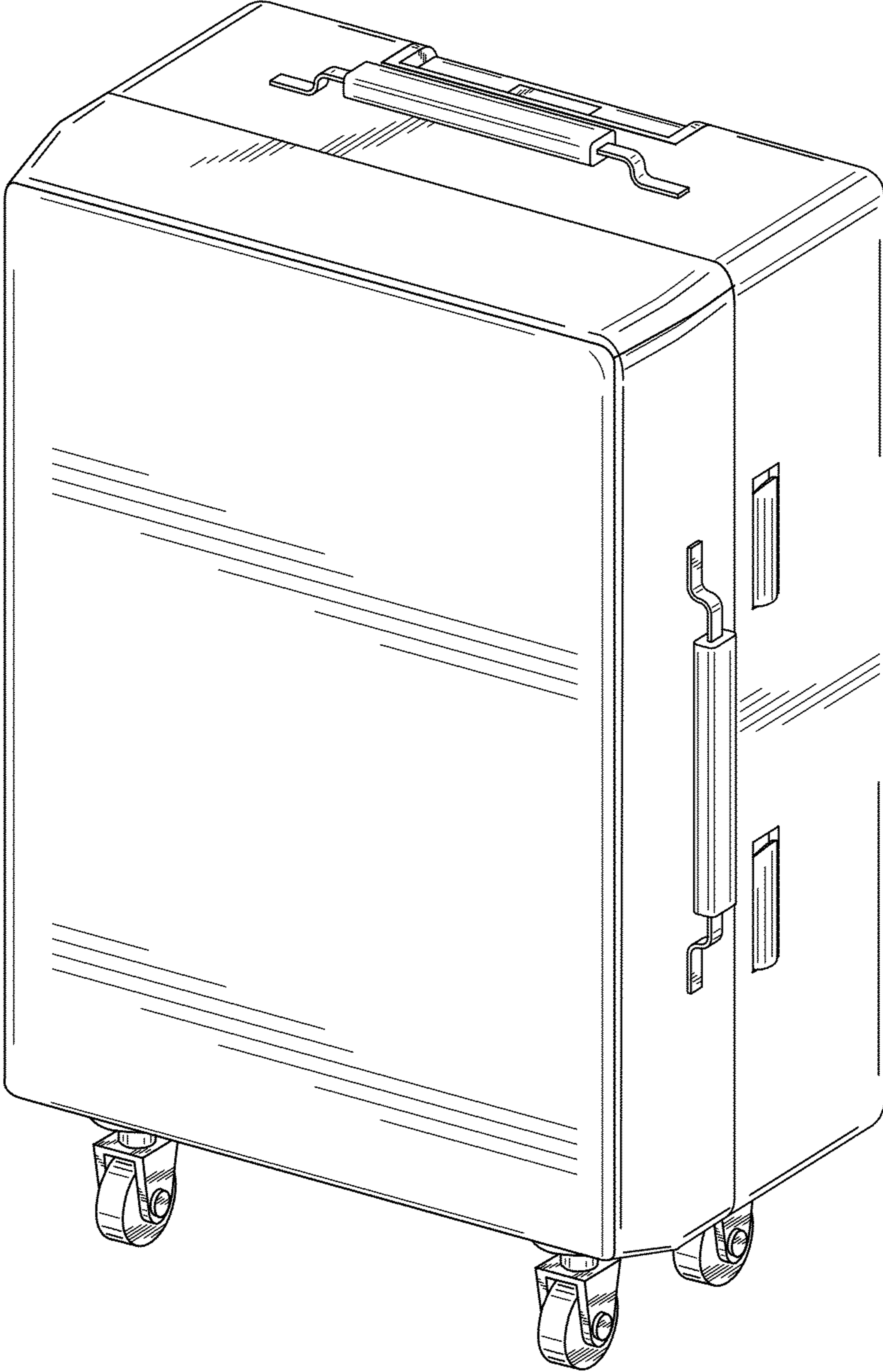


Fig. 8

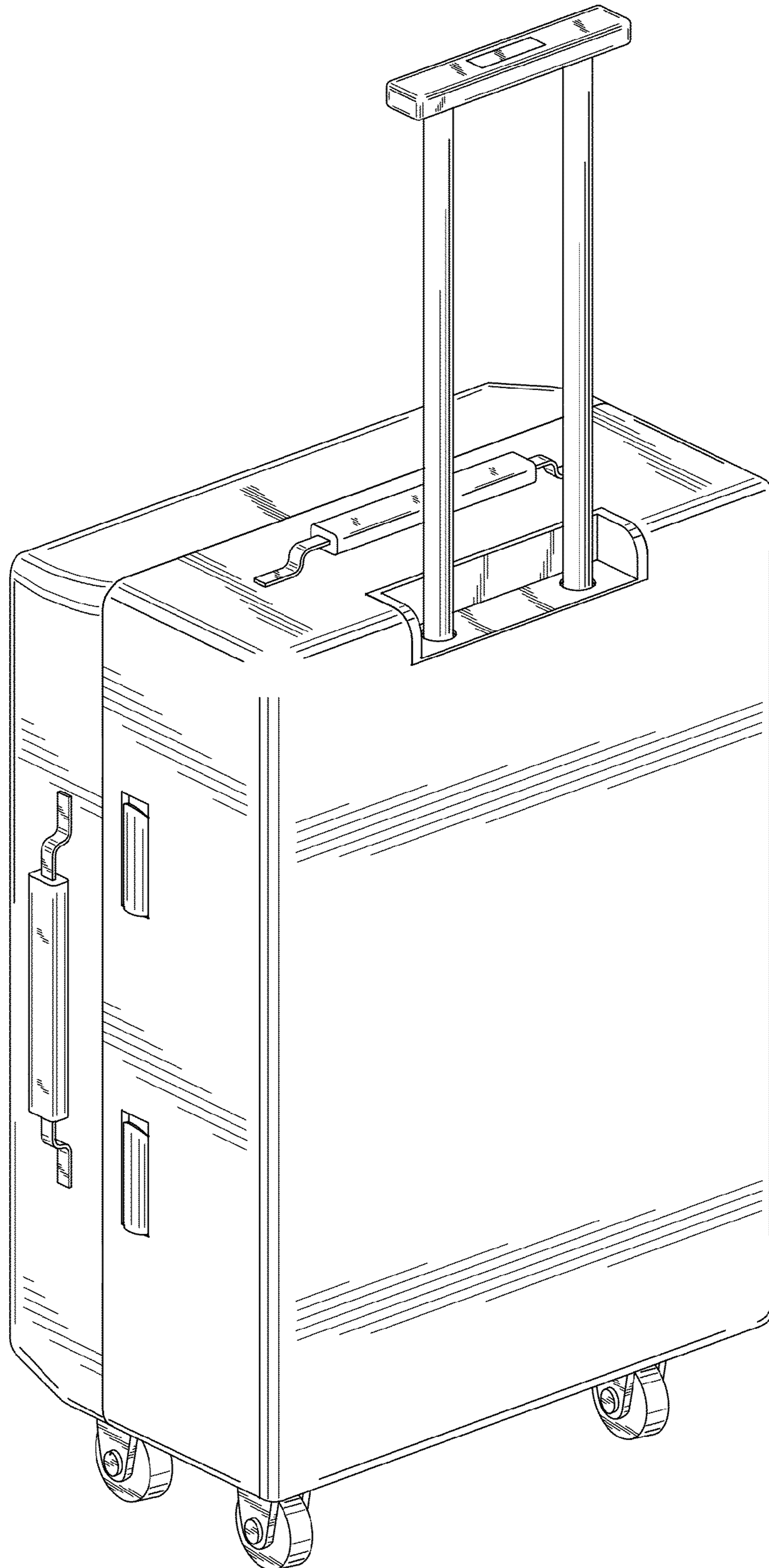


Fig. 9