



US00D688451S

(12) **United States Design Patent**
Philo

(10) **Patent No.:** **US D688,451 S**

(45) **Date of Patent:** **** Aug. 27, 2013**

(54) **HANDBAG**

D263,649 S * 4/1982 Schimmel D3/243

* cited by examiner

(75) Inventor: **Phoebe Philo**, London (GB)

Primary Examiner — Holly Baynham

(74) *Attorney, Agent, or Firm* — Finnegan, Henderson, Farabow, Garrett and Dunner, LLP

(73) Assignee: **Celine**, Paris (FR)

(57) **CLAIM**

The ornamental design for a handbag, as shown and described.

(**) Term: **14 Years**

(21) Appl. No.: **29/424,126**

DESCRIPTION

(22) Filed: **Jun. 7, 2012**

FIG. 1 is a front perspective view of a handbag showing my new design;

(30) **Foreign Application Priority Data**

Dec. 7, 2011 (EM) 001959305-0001

FIG. 2 is a front view of my new design;

(51) **LOC (9) Cl.** **03-01**

FIG. 3 is a rear view of my new design;

(52) **U.S. Cl.**

USPC **D3/243**

FIG. 4 is a left, side view of my new design;

(58) **Field of Classification Search**

USPC D3/232–233, 240–246; 150/100,
150/103–110, 117–119

FIG. 5 is a right, side view of my new design;

See application file for complete search history.

FIG. 6 is a top view of my new design;

FIG. 7 is a bottom view of my new design; and,

FIG. 8 is a top view in an alternate configuration, where the handbag is open.

(56) **References Cited**

U.S. PATENT DOCUMENTS

D70,795 S * 8/1926 Lehman D3/240

The longer broken lines showing the handbag interior are for the purposes of illustrating environment and form no part of the claimed design.

The shorter broken lines depict stitching and are part of the claimed design.

1 Claim, 7 Drawing Sheets





FIG. 1



FIG. 2

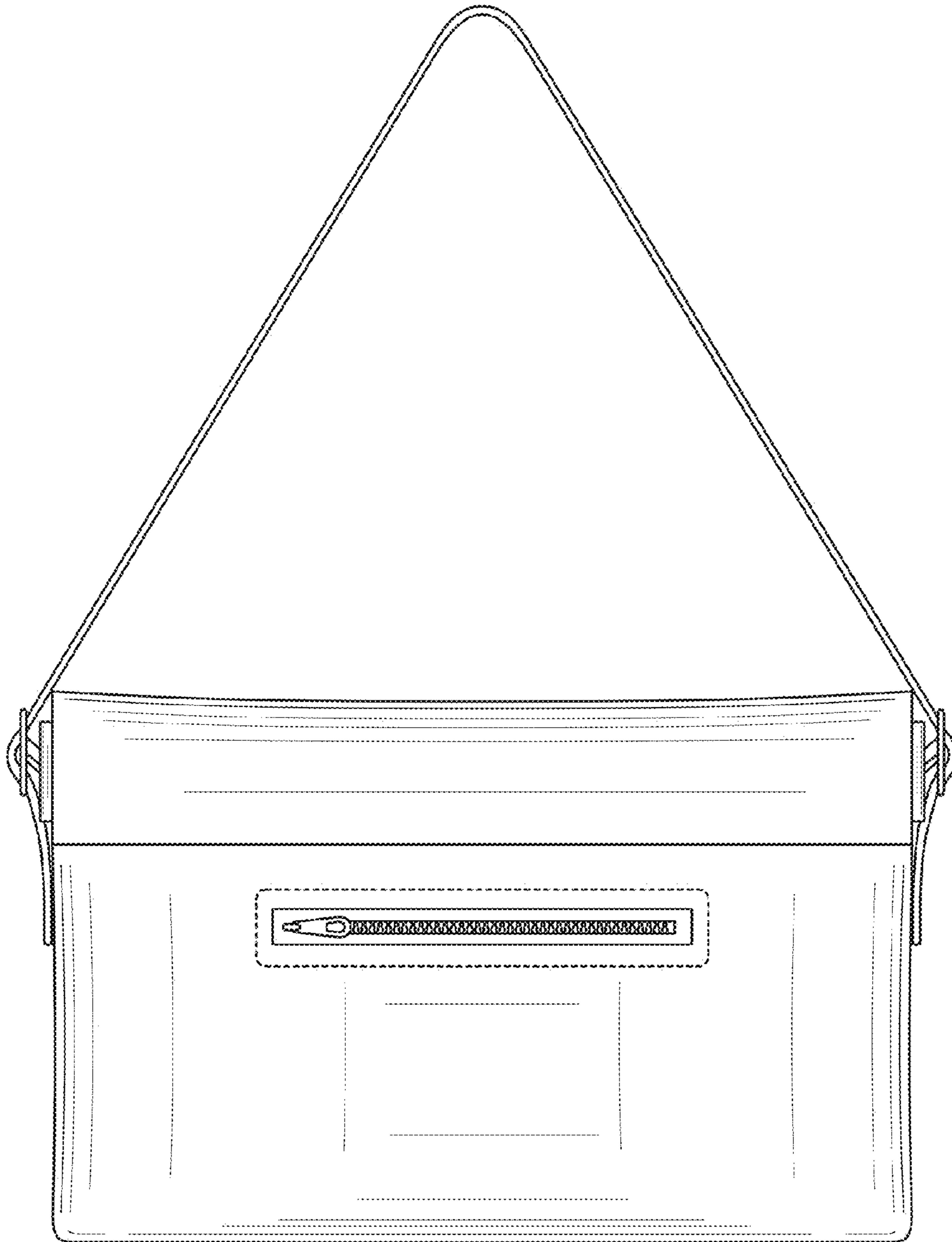


FIG. 3

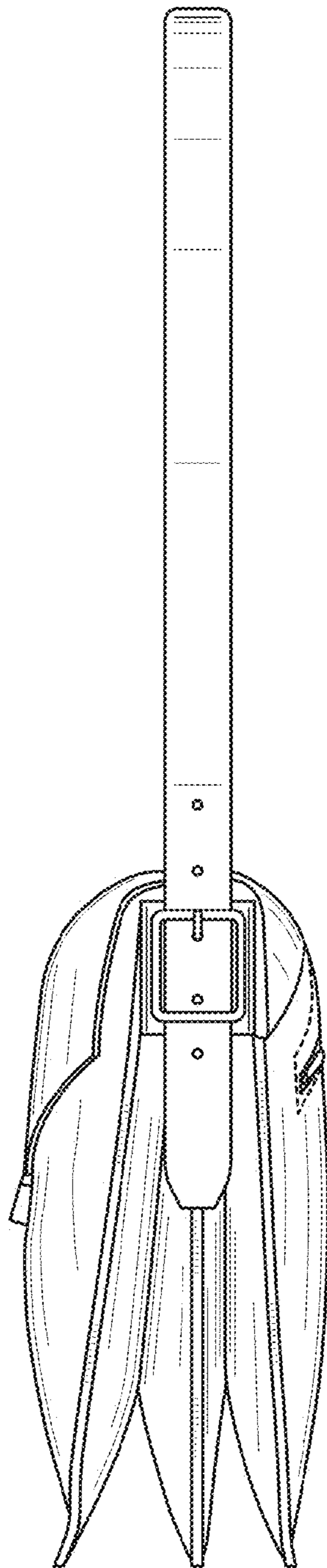


FIG. 4

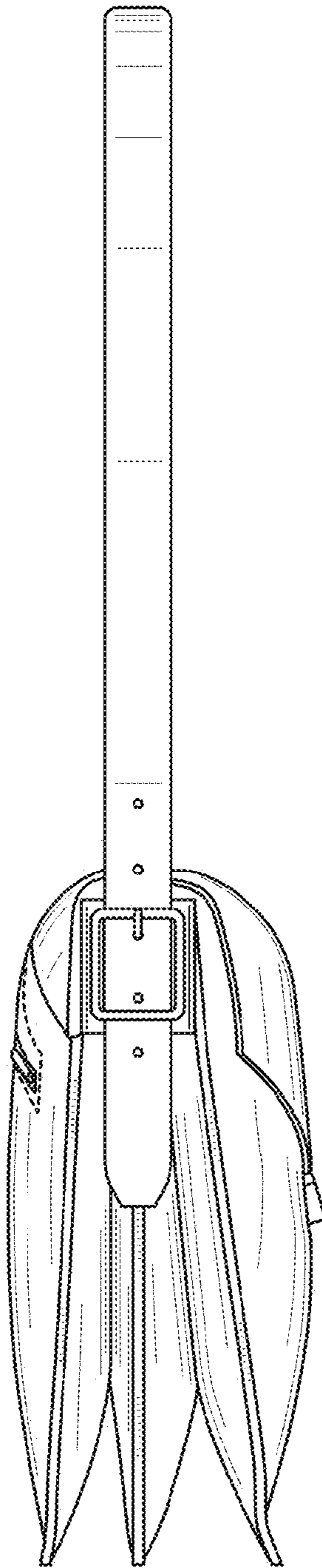


FIG. 5

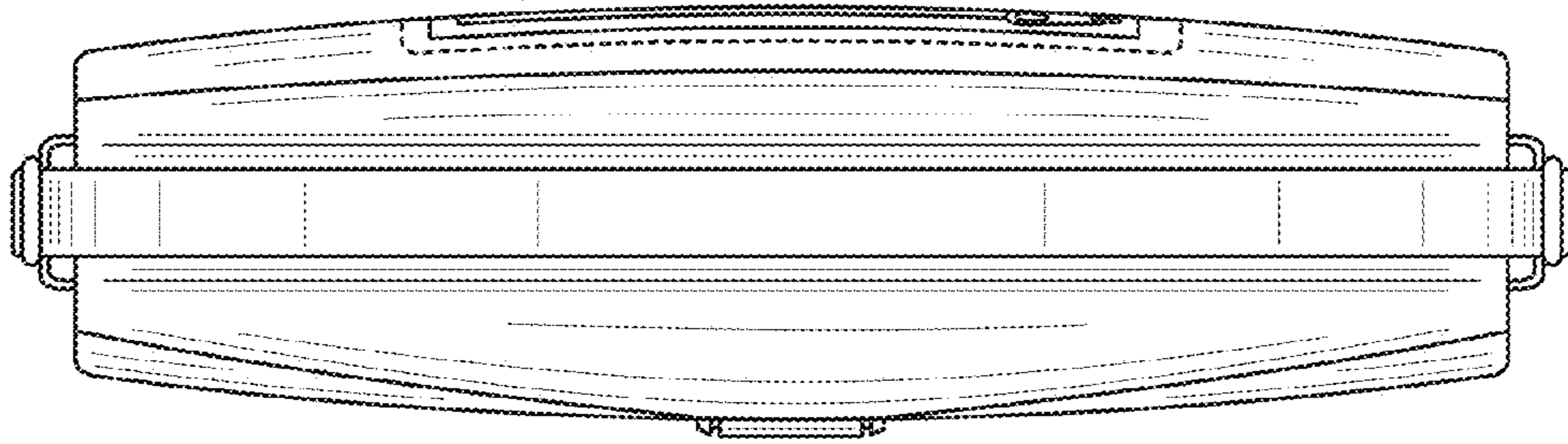


FIG. 6

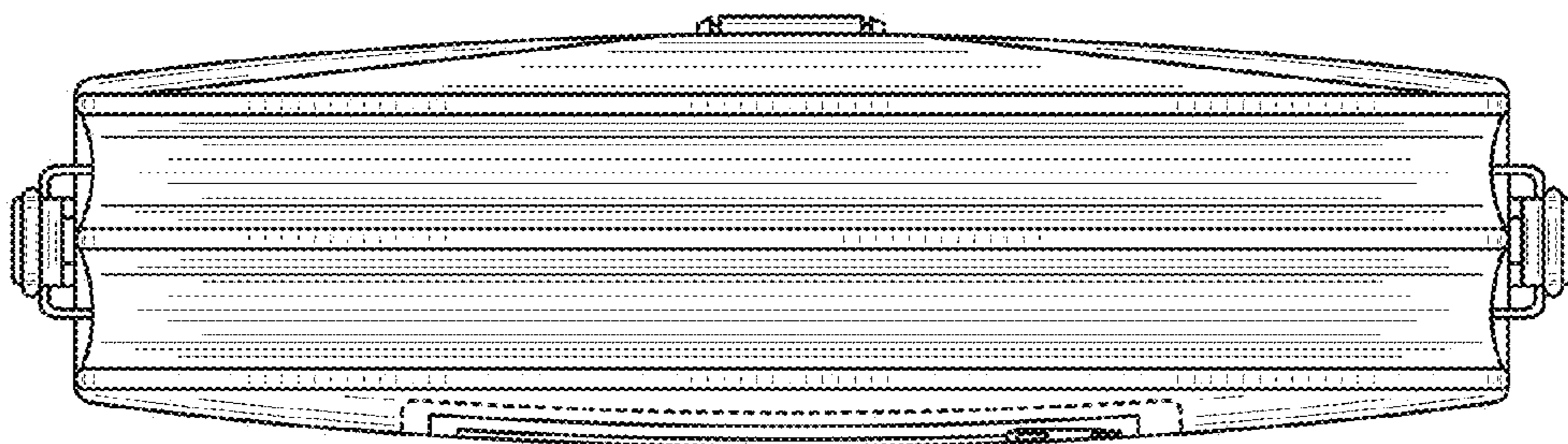


FIG. 7

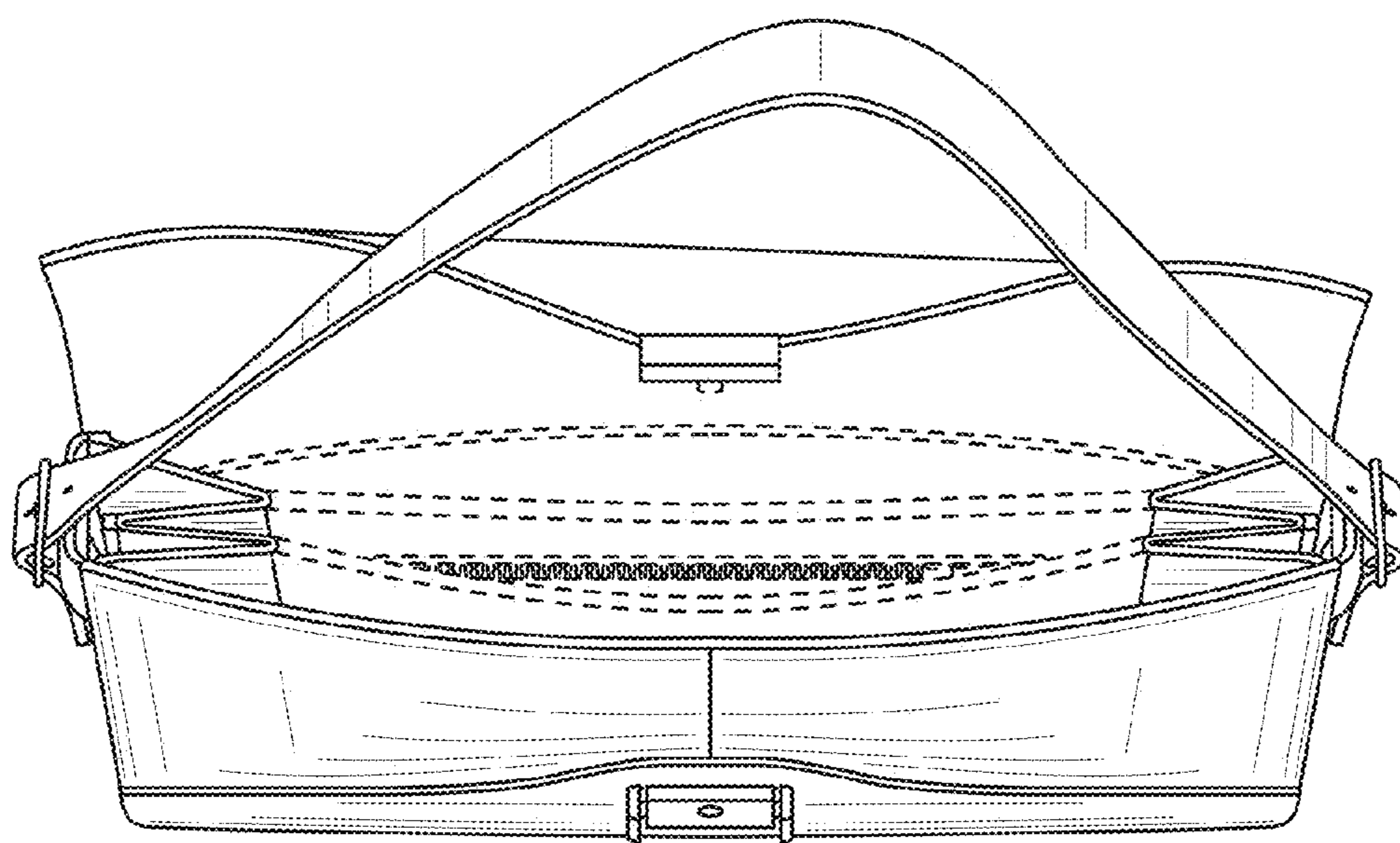


FIG. 8