



US00D688450S

(12) **United States Design Patent**  
**Philo**

(10) **Patent No.:** **US D688,450 S**

(45) **Date of Patent:** **\*\* Aug. 27, 2013**

(54) **HANDBAG**

(75) Inventor: **Phoebe Philo**, London (GB)

(73) Assignee: **Celine**, Paris (FR)

(\*\*) Term: **14 Years**

(21) Appl. No.: **29/424,125**

(22) Filed: **Jun. 7, 2012**

(30) **Foreign Application Priority Data**

Dec. 7, 2011 (EM) ..... 001959305-0002

(51) **LOC (9) Cl.** ..... **03-01**

(52) **U.S. Cl.**  
USPC ..... **D3/243**

(58) **Field of Classification Search**  
USPC ..... D3/232-233, 240-246; 150/100,  
150/103-110, 113-114, 117-119  
See application file for complete search history.

(56) **References Cited**

**U.S. PATENT DOCUMENTS**

D70,795 S \* 8/1926 Lehman ..... D3/240  
D263,649 S \* 4/1982 Schimmel ..... D3/243

\* cited by examiner

*Primary Examiner* — Holly Baynham

(74) *Attorney, Agent, or Firm* — Finnegan, Henderson, Farabow, Garrett and Dunner, LLP

(57) **CLAIM**

The ornamental design for a handbag, as shown and described.

**DESCRIPTION**

FIG. 1 is a front perspective view of a handbag showing my new design;

FIG. 2 is a right side view of my new design;

FIG. 3 is a left side view of my new design;

FIG. 4 is a front view of my new design;

FIG. 5 is a rear view of my new design;

FIG. 6 is a top plan view of my new design;

FIG. 7 is a bottom view of my new design; and,

FIG. 8 is a top view in an alternate configuration, where the handbag is open.

The longer broken lines showing the strap, elements attaching the strap to the handbag and the handbag interior are for the purposes of illustrating environment and form no part of the claimed design.

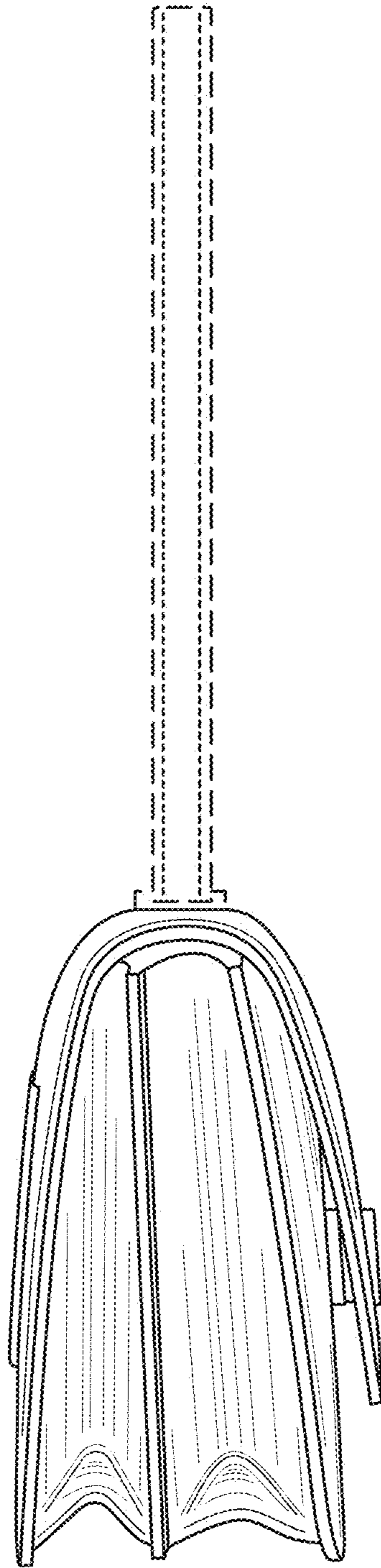
The shorter broken lines depict stitching and are part of the claimed design.

**1 Claim, 7 Drawing Sheets**

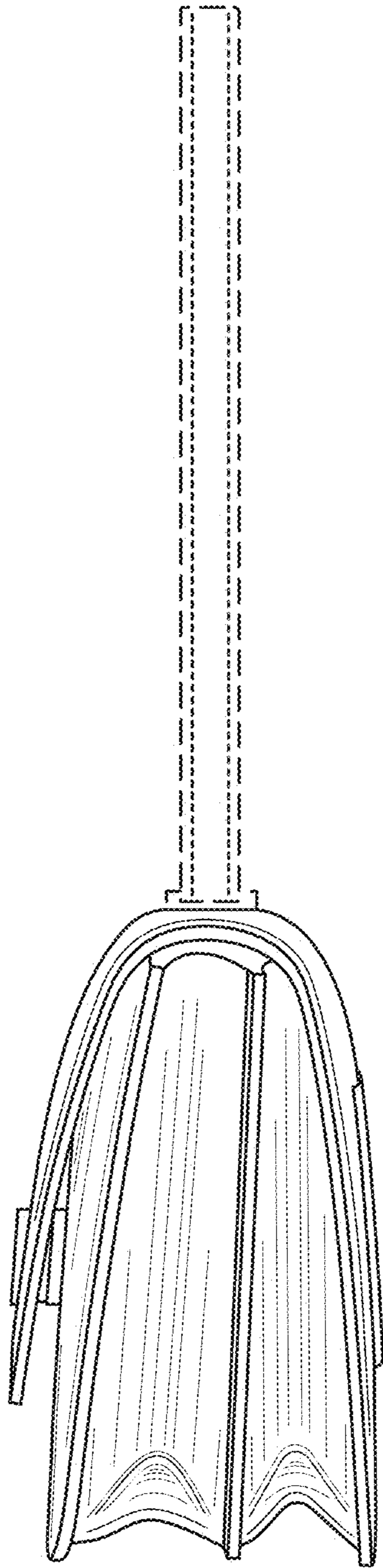




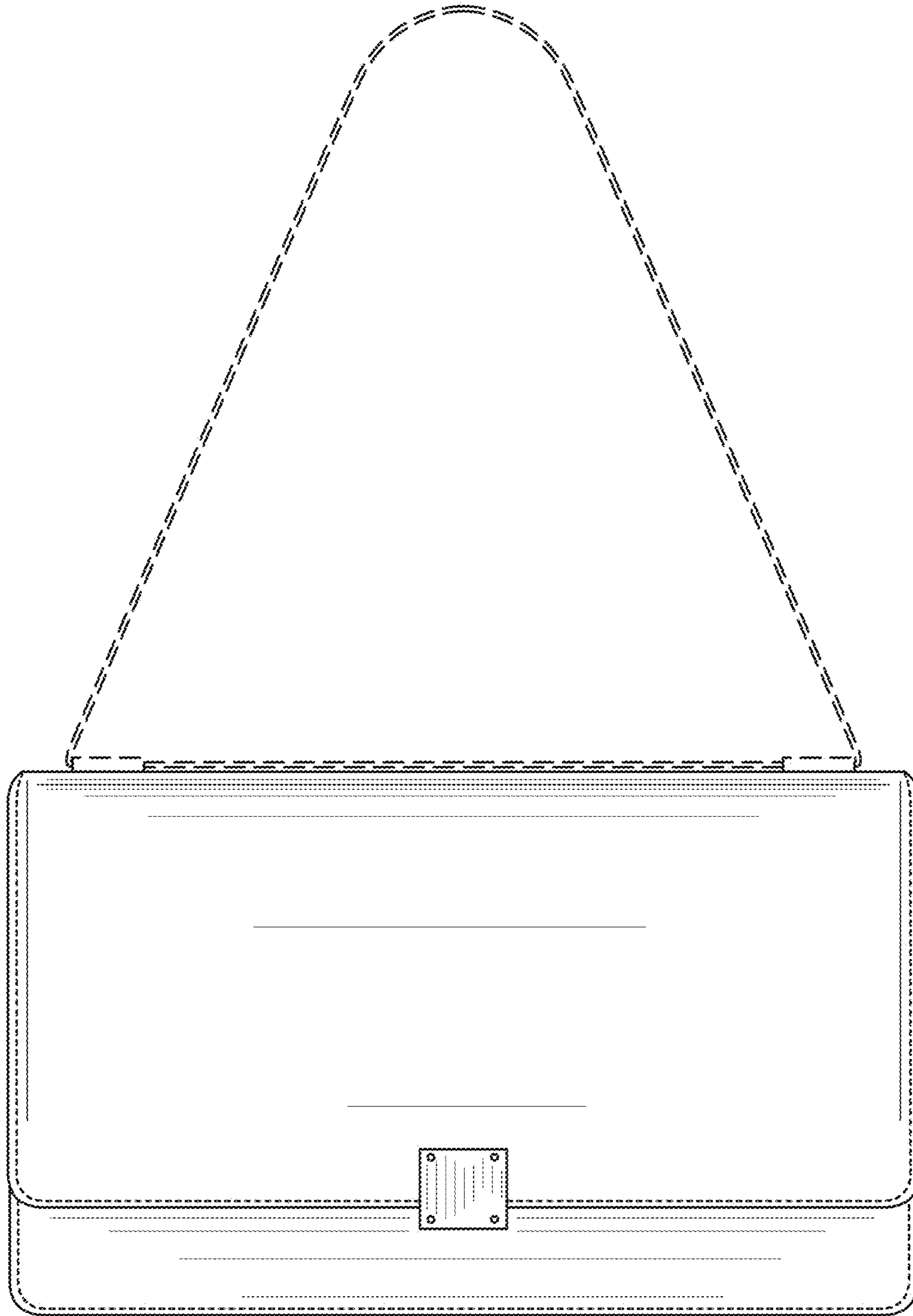
**FIG. 1**



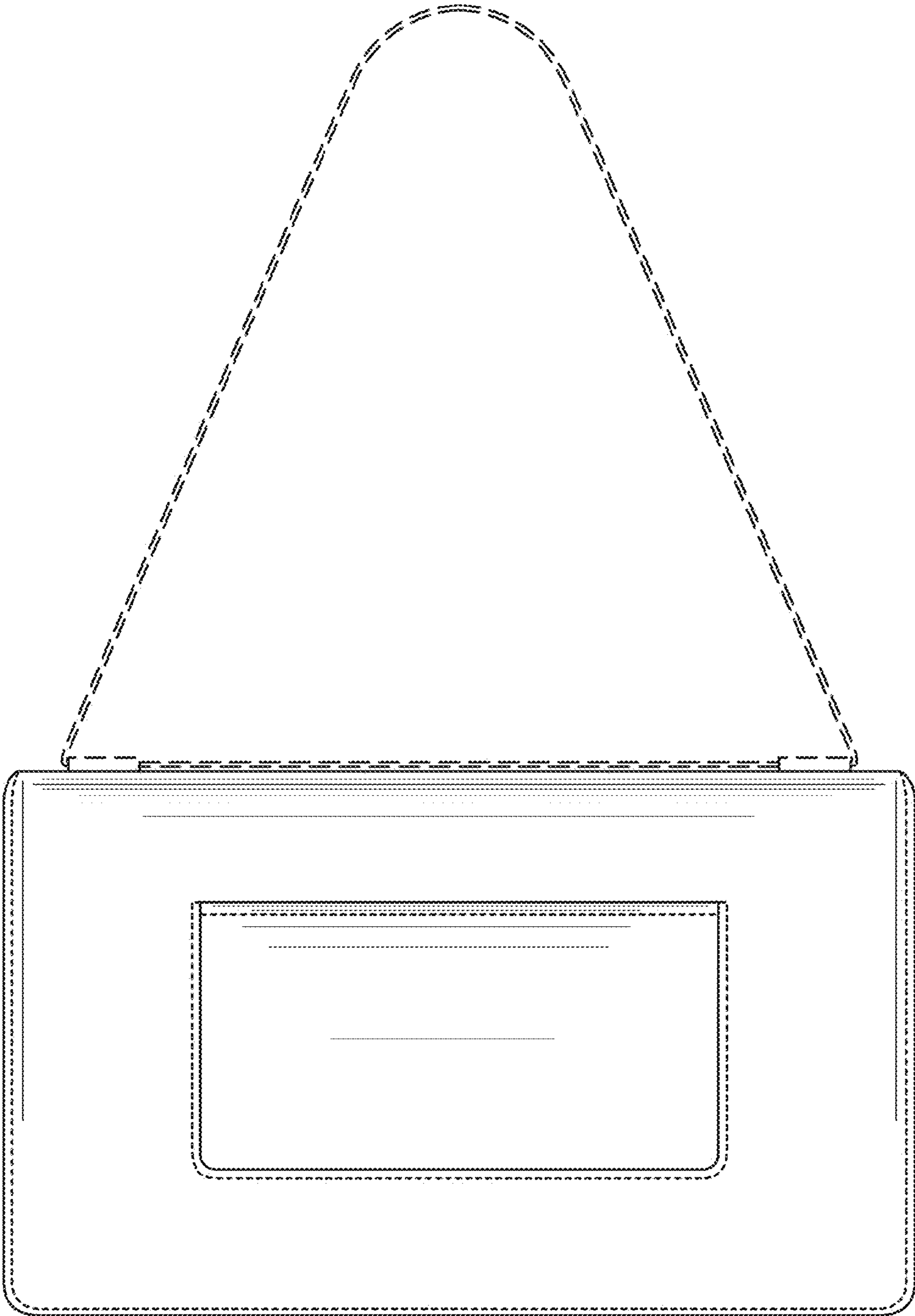
**FIG. 2**



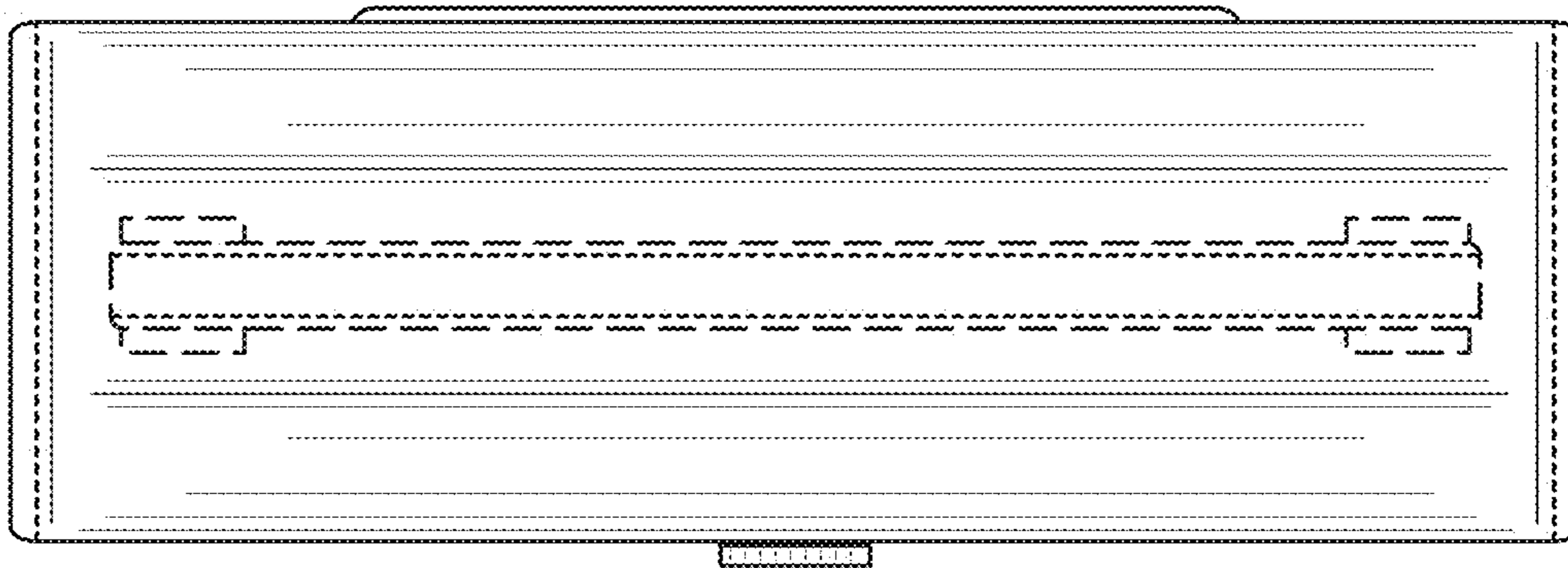
**FIG. 3**



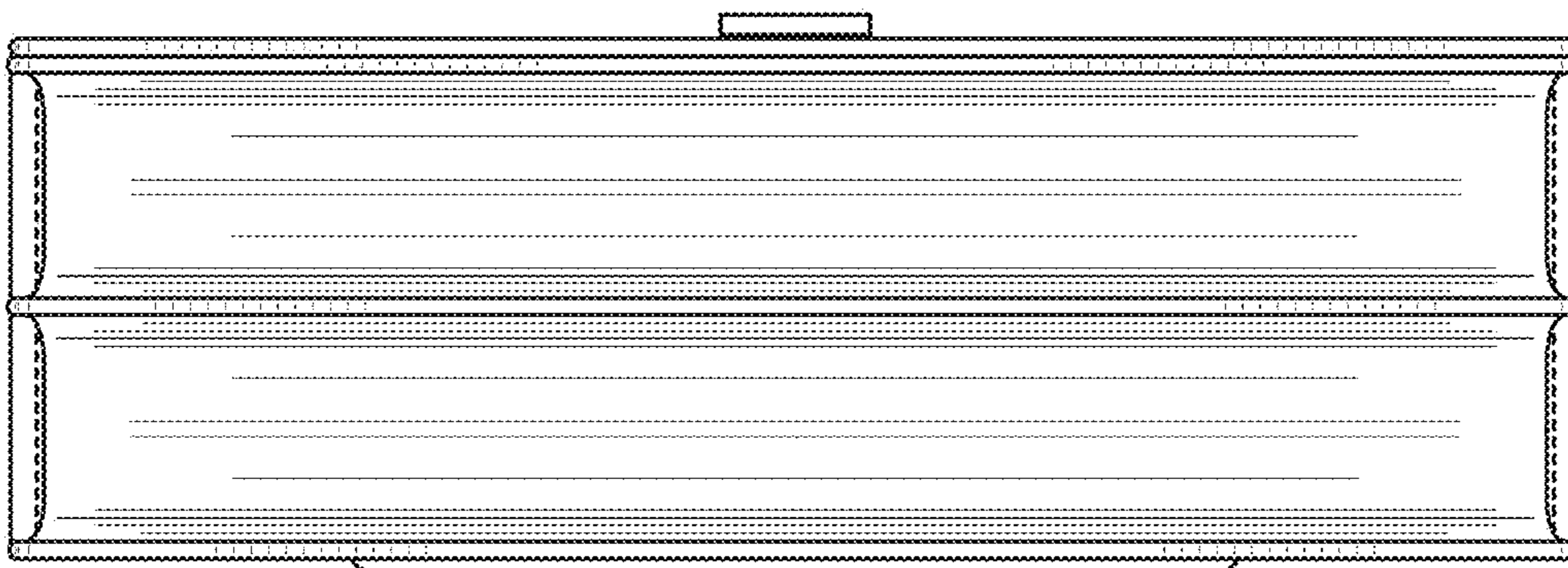
**FIG. 4**



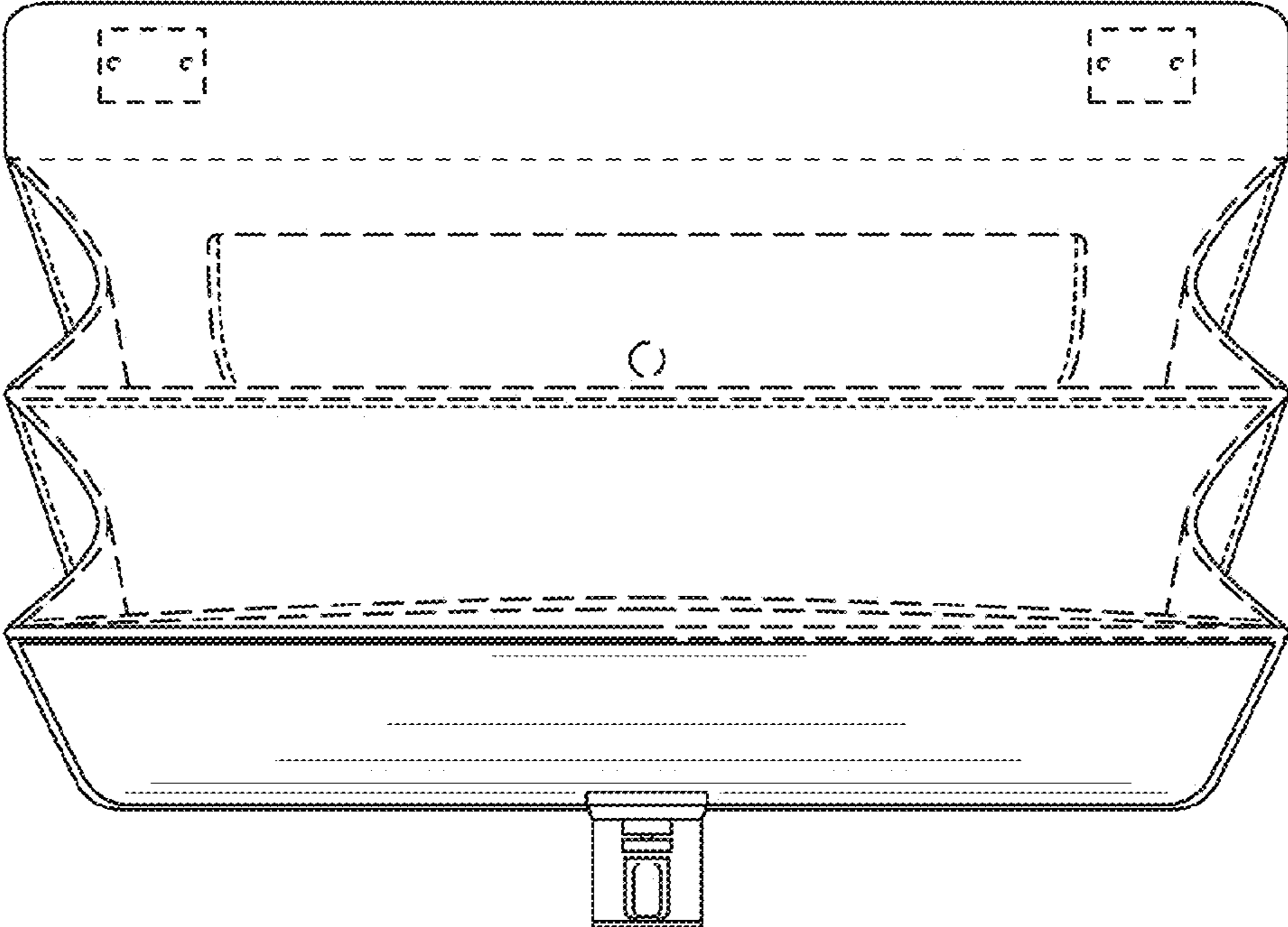
**FIG. 5**



**FIG. 6**



**FIG. 7**



**FIG. 8**