



US00D688449S

(12) **United States Design Patent**
Schinasi

(10) **Patent No.:** **US D688,449 S**

(45) **Date of Patent:** **** Aug. 27, 2013**

(54) **ROLLING SHOPPING BAG**

(75) Inventor: **Piero Schinasi**, Epalinges (CH)

(73) Assignee: **Codefine S.A.**, Lausanne (CH)

(**) Term: **14 Years**

(21) Appl. No.: **29/374,162**

(22) Filed: **Jul. 8, 2011**

(30) **Foreign Application Priority Data**

Jan. 12, 2011 (CH) 137622

(51) **LOC (9) Cl.** **03-01**

(52) **U.S. Cl.**
USPC **D3/232**

(58) **Field of Classification Search**
USPC D3/232-233, 240-246, 318, 324;
150/103-110, 113-114, 118-119; 280/35
See application file for complete search history.

(56) **References Cited**

U.S. PATENT DOCUMENTS

5,062,717	A *	11/1991	Shockley	383/20
7,726,671	B2 *	6/2010	Musi	280/47.26
D620,249	S *	7/2010	Yu	D3/232
D623,406	S *	9/2010	Yu	D3/232
D625,895	S *	10/2010	Musi	D34/24
D626,329	S *	11/2010	Chapelier	D3/232
D630,013	S *	1/2011	Yu	D3/232
D648,935	S *	11/2011	Wickrama	D3/233

8,152,178	B2 *	4/2012	Sun et al.	280/35
8,215,838	B1 *	7/2012	Colonna	383/4
D666,809	S *	9/2012	Hermann	D3/232

* cited by examiner

Primary Examiner — Sheryl Lane

(74) *Attorney, Agent, or Firm* — Krieg DeVault LLP;
Clifford W. Browning

(57) **CLAIM**

The ornamental design for a rolling shopping bag, as shown and described.

DESCRIPTION

FIG. 1 is a front perspective view of the rolling shopping bag of the present invention.

FIG. 2 is a right side perspective view of the rolling shopping bag of FIG. 1 with the side portion slightly collapsed.

FIG. 3 is a top perspective view of the rolling shopping bag of FIG. 1.

FIG. 4 is a top perspective view of the rolling shopping bag of FIG. 1, illustrating the inside bottom of the bag, which is made of two pieces joined along the middle of the bottom, and shows a corner of one of them in a lifted position unveiling the upper side of the removable rolling assembly.

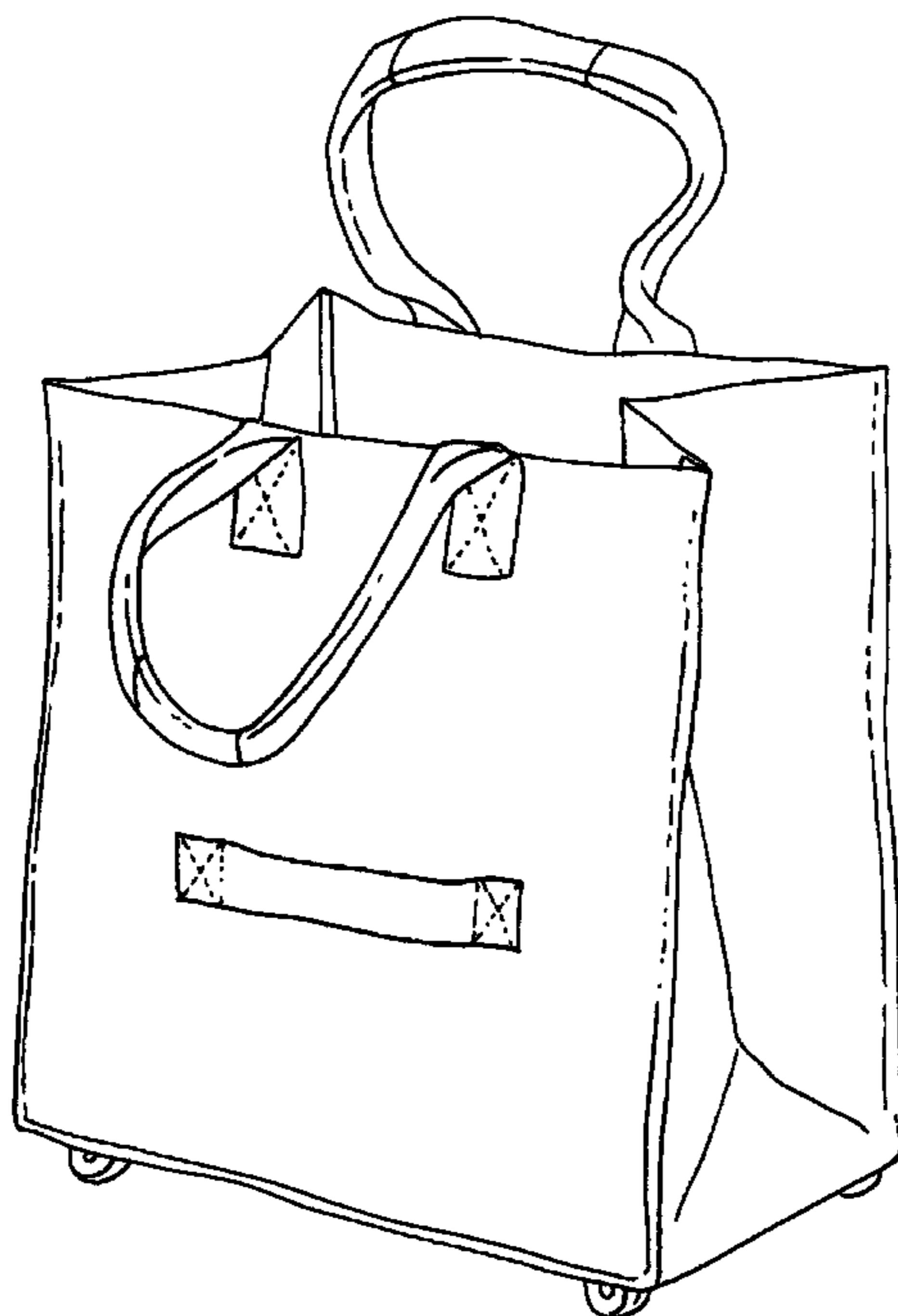
FIG. 5 is a rear perspective view of the rolling shopping bag of FIG. 1, showing the removable rolling assembly in a removed position outside of the bag; and,

FIG. 6 is a bottom rear perspective view of the rolling shopping bag of FIG. 1.

The wheels are understood to rotate. The direction of the wheels may vary within the drawings.

The broken lines shown in FIG. 1 and FIG. 6 represent stitching and do form part of the claimed design.

1 Claim, 6 Drawing Sheets



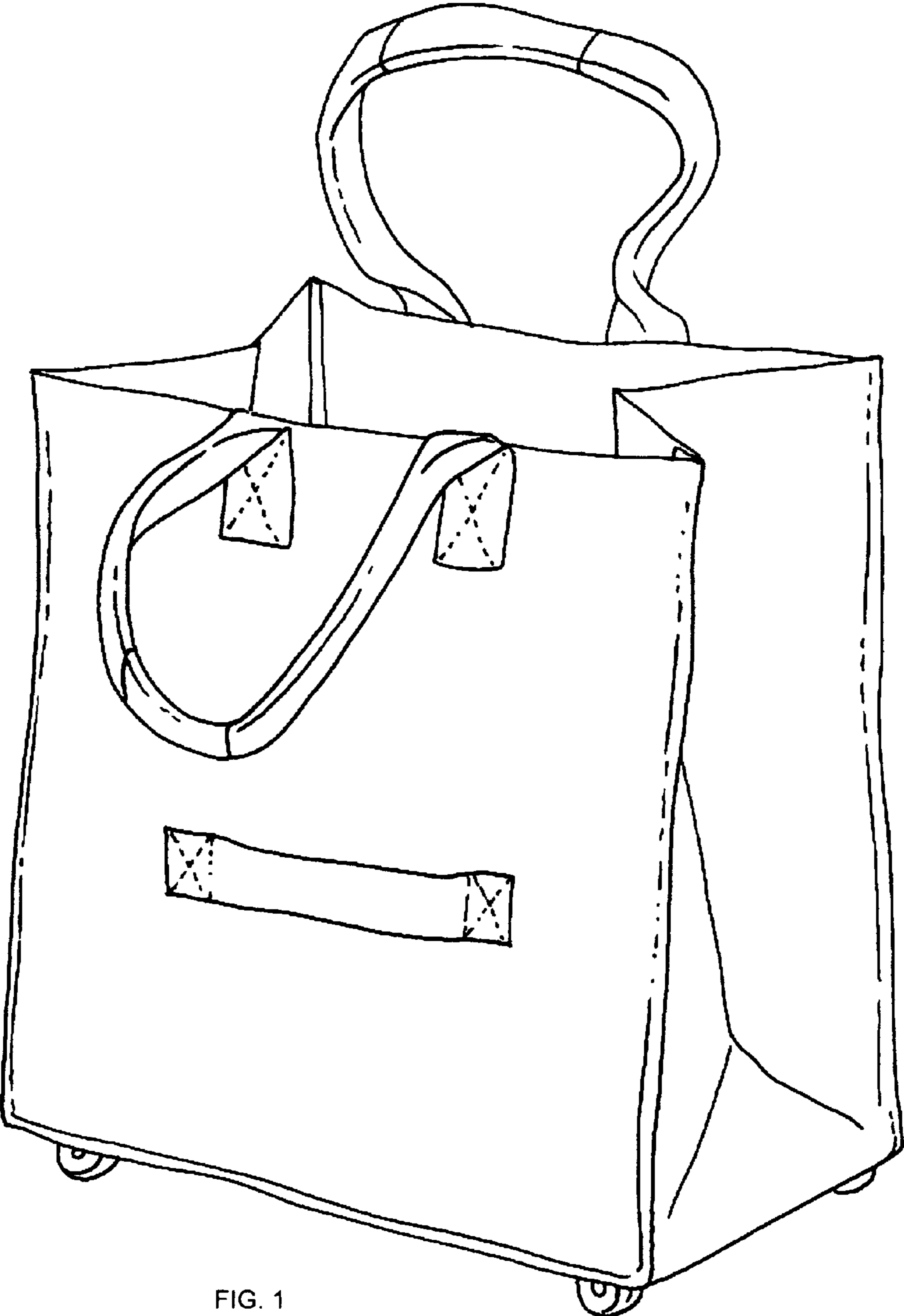


FIG. 1

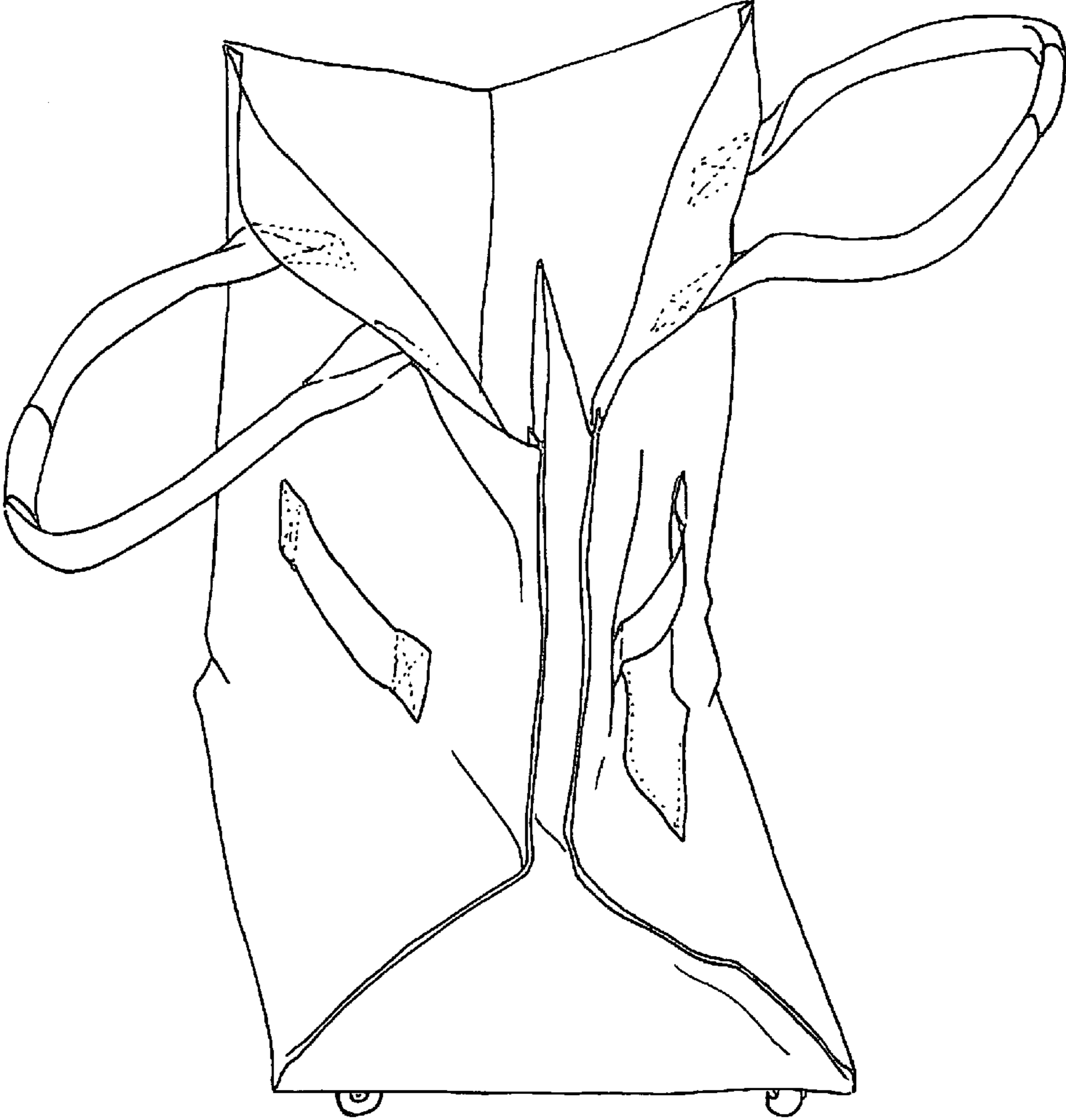


FIG. 2

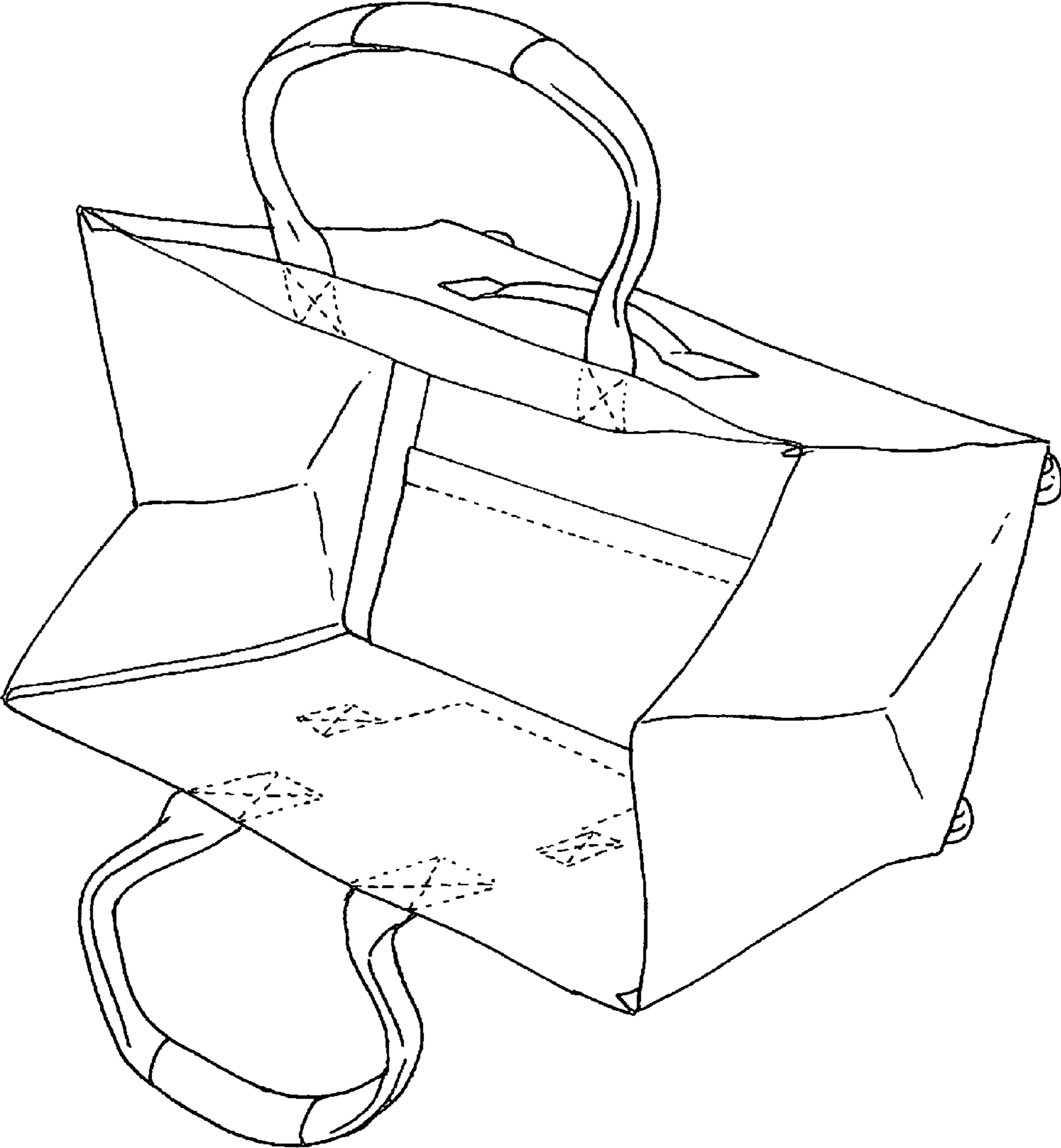


FIG. 3

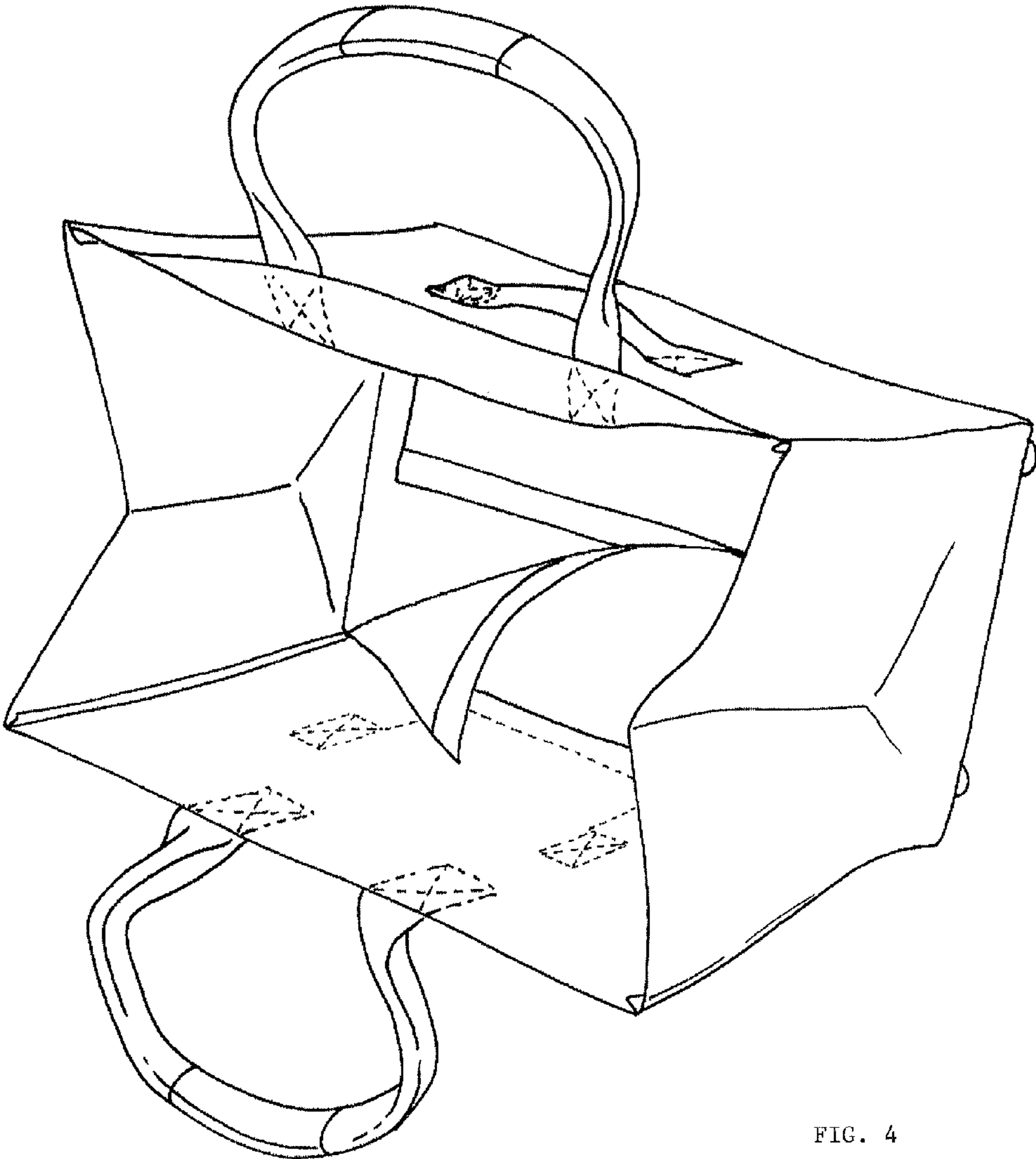


FIG. 4

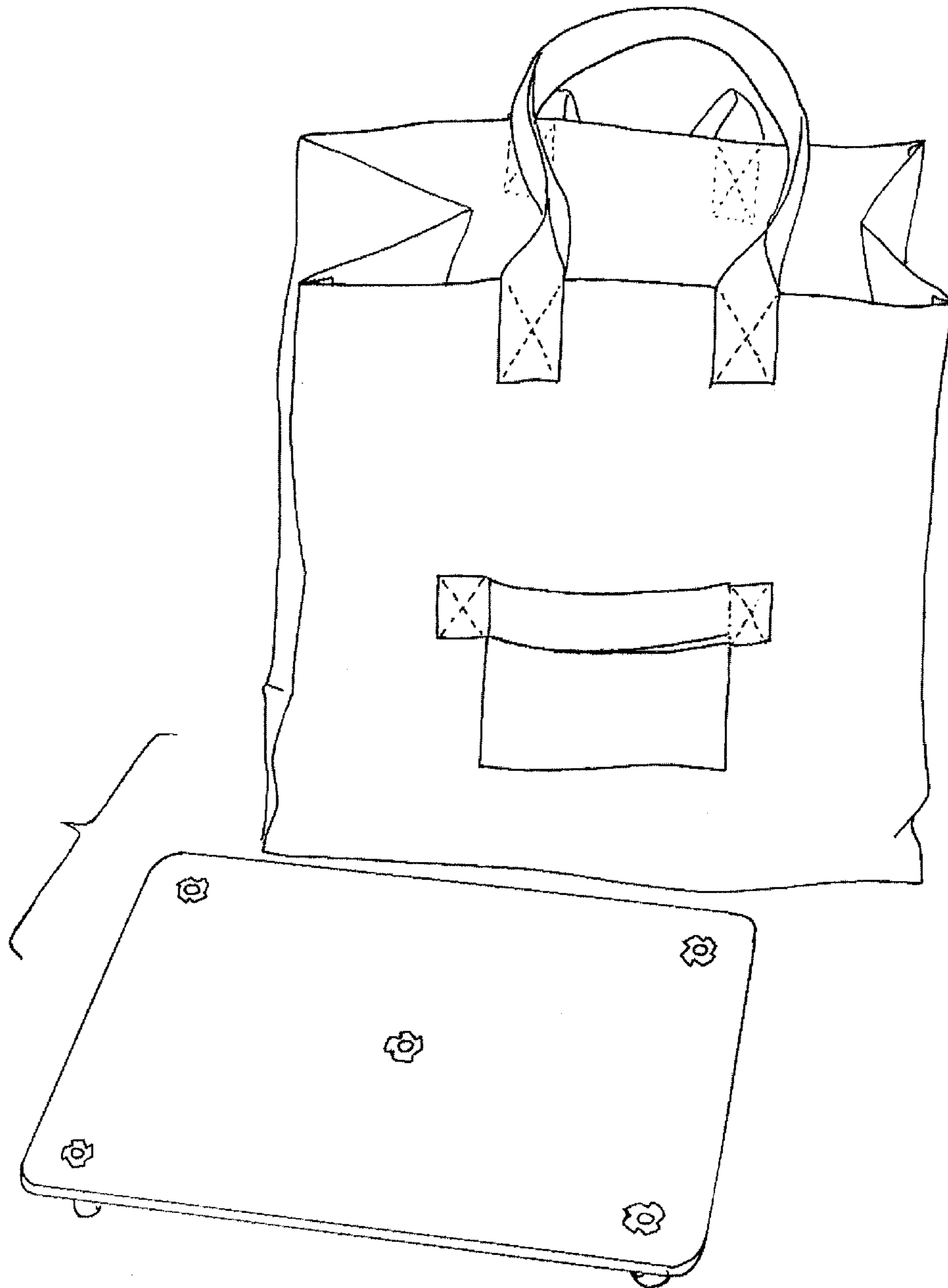


FIG. 5

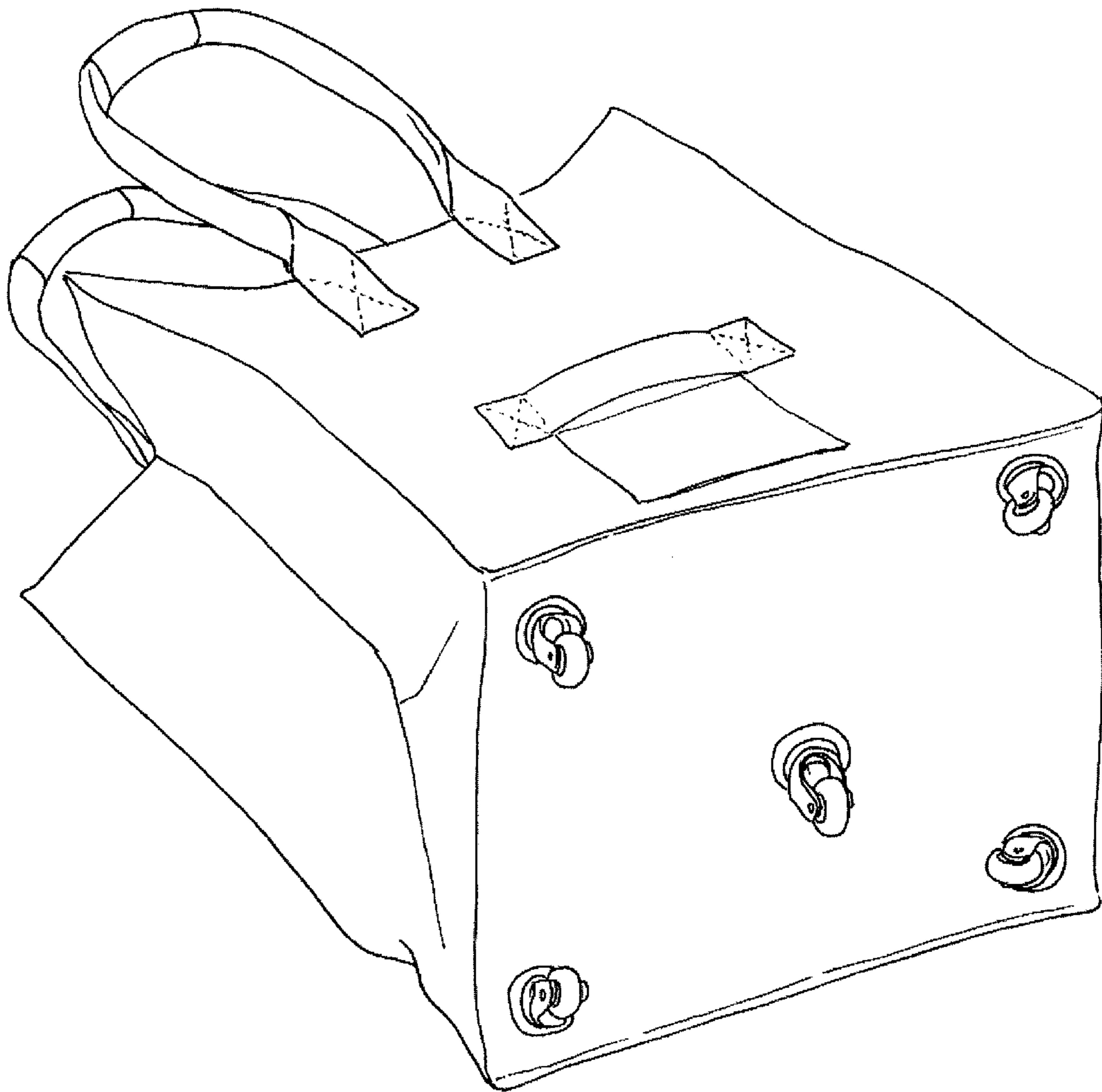


FIG. 6