



US00D688438S

(12) **United States Design Patent**
Jani et al.

(10) **Patent No.:** **US D688,438 S**

(45) **Date of Patent:** **** Aug. 27, 2013**

(54) **CONFECTIONARY**

(74) *Attorney, Agent, or Firm* — Cantor Colburn LLP

(75) Inventors: **Bharat Jani**, East Brunswick, NJ (US);
Cesar C. Elejalde, Randolph, NJ (US);
Colleen Kramer, Denville, NJ (US);
Simone O’Neill, Wayne, NJ (US); **Aditi**
Shetty, Morris Plains, NJ (US); **Devang**
Sutaria, Landing, NJ (US); **Eric**
Mecrin, Saint Benoit (FR)

(57) **CLAIM**

We claim, the ornamental design for a confectionary, as shown and described.

(73) Assignee: **Kraft Foods Global Brands LLC**,
Northfield, IL (US)

DESCRIPTION

(**) Term: **14 Years**

FIG. 1 is a perspective view of a confectionary, showing our new design in a first embodiment;

(21) Appl. No.: **29/399,675**

FIG. 2 is a side elevation view of the embodiment shown in FIG. 1, the opposite side view being a mirror image thereof; FIG. 3 is a top plan view of the embodiment shown in FIG. 1; FIG. 4 is a bottom plan view of the embodiment shown in FIG. 1;

(22) Filed: **Aug. 17, 2011**

(51) **LOC (9) Cl.** **01-01**

FIG. 5 is a front elevation view of the embodiment shown in FIG. 1;

(52) **U.S. Cl.**

USPC **D1/127**

FIG. 6 is a back elevation view of the embodiment shown in FIG. 1;

(58) **Field of Classification Search**

USPC D1/100–199; D24/101, 102; 426/3, 426/5, 87, 89, 92, 103, 104, 129, 138, 144, 426/249, 660, 383, 512, 516, 808; 424/467; D25/113, 119, 121–132; D21/499; D5/55–58, D5/62

See application file for complete search history.

FIG. 7 is a perspective view of a confectionary, showing our new design in a second embodiment;

(56) **References Cited**

U.S. PATENT DOCUMENTS

692,323	A *	2/1902	Marine	426/249
1,517,017	A *	11/1924	Roth	439/491
1,771,981	A *	7/1930	Mustin	426/5
1,771,982	A *	7/1930	Mustin	426/5
1,855,145	A *	4/1932	Jones	426/87
D87,305	S *	7/1932	Hawks	D1/115
1,886,763	A *	11/1932	Trettin	426/68
RE19,153	E *	5/1934	Battista	426/95
2,039,398	A *	5/1936	Dye	52/847

(Continued)

FIG. 8 is a side elevation view of the embodiment shown in FIG. 7, the opposite side view being a mirror image thereof;

FIG. 9 is a top plan view of the embodiment shown in FIG. 7; FIG. 10 is a bottom plan view of the embodiment shown in FIG. 7;

FIG. 11 is a front elevation view of the embodiment shown in FIG. 7; and,

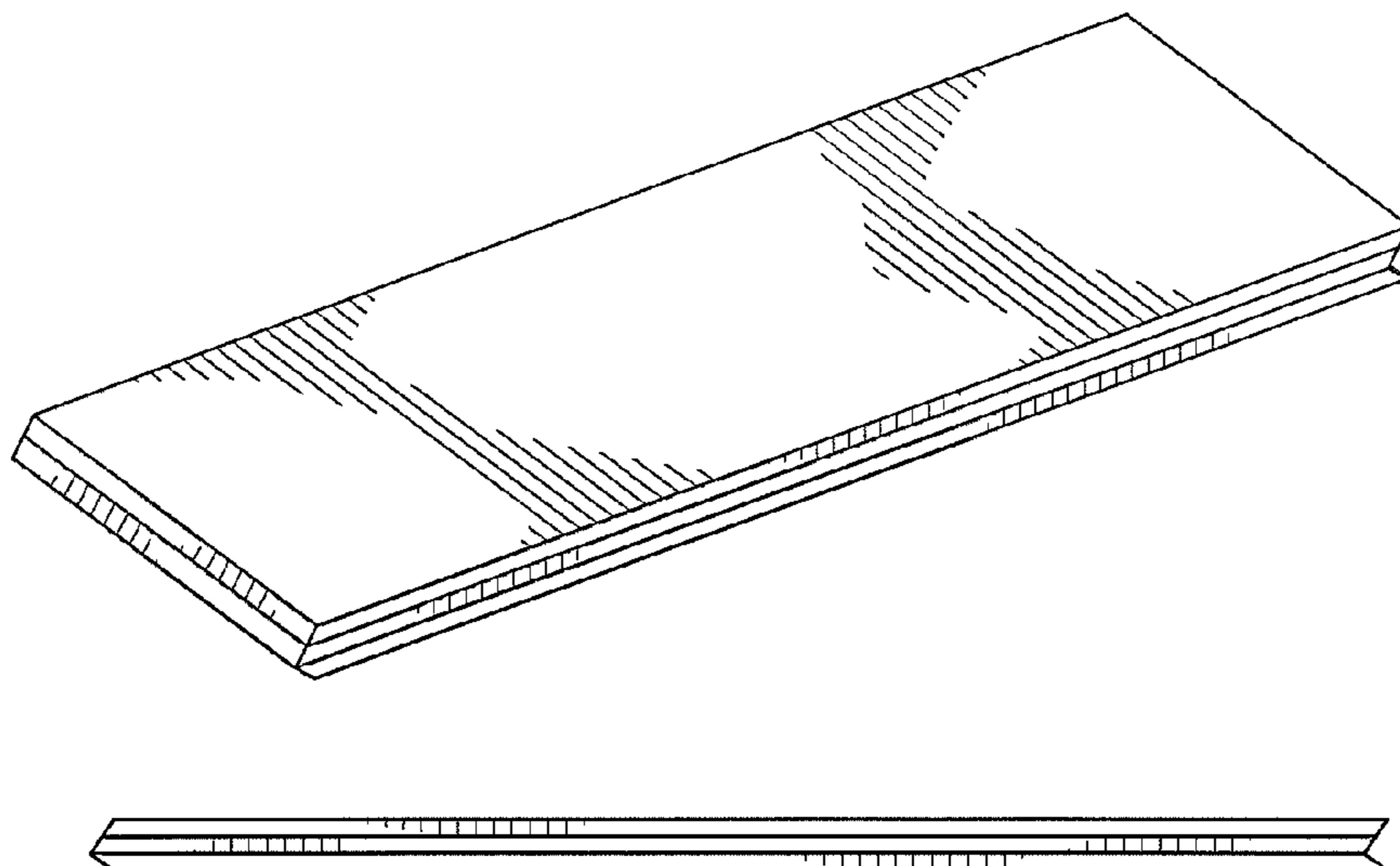
FIG. 12 is a back elevation view of the embodiment shown in FIG. 7.

The stippling shown in FIGS. 7-12 represents a contrast in appearance.

Also, references to “side,” “top,” “bottom,” “front,” and “back” in the Figure Descriptions are not necessarily meant to require any specific orientation of the article as viewed. A confectionary according to the claimed design may be used in any orientation.

Primary Examiner — Barbara Fox

1 Claim, 2 Drawing Sheets



(56)

References Cited

U.S. PATENT DOCUMENTS

2,060,490 A * 11/1936 Borbely 426/92
 2,213,687 A * 9/1940 Brassert 52/232
 D137,202 S * 2/1944 Scott D28/8.1
 2,613,185 A * 10/1952 Marshall 510/146
 2,659,163 A * 11/1953 Albee 273/273
 2,685,517 A * 8/1954 Dunmire 426/72
 D202,920 S * 11/1965 Muesing D6/518
 3,549,389 A * 12/1970 Peterson 426/127
 4,083,155 A * 4/1978 Lampert 52/93.1
 4,260,635 A * 4/1981 Fisher 426/3
 D271,439 S * 11/1983 Schumacher D1/127
 D271,534 S * 11/1983 Huzinec D1/127
 4,455,321 A * 6/1984 Glabe et al. 426/549
 4,751,096 A * 6/1988 Nada et al. 426/643
 4,781,929 A * 11/1988 Hoashi 426/92
 4,822,622 A * 4/1989 Dokuzovic et al. 426/5
 4,889,729 A * 12/1989 Aujourd'hui 426/94
 D315,437 S * 3/1991 Stein D1/128
 5,091,198 A * 2/1992 Hoashi 426/92
 5,538,742 A * 7/1996 McHale et al. 426/5
 5,712,030 A * 1/1998 Goto et al. 428/332
 5,834,044 A * 11/1998 Schmitz et al. 426/73
 5,928,692 A * 7/1999 Mayfield 426/89
 D426,935 S * 6/2000 Zaug et al. D1/199
 D431,342 S * 10/2000 Wright et al. D1/129
 D433,083 S * 10/2000 Griffith D21/707
 6,165,521 A * 12/2000 Mayfield 426/90
 D439,392 S * 3/2001 Kauffman et al. D1/121

D462,458 S * 9/2002 Hughes et al. D25/122
 6,562,382 B1 * 5/2003 Corriveau et al. 426/5
 D485,963 S * 2/2004 Norton D1/127
 6,759,069 B2 * 7/2004 Gray 426/89
 D500,576 S * 1/2005 Kraus D1/199
 D500,908 S * 1/2005 Hare et al. D1/199
 7,172,783 B2 * 2/2007 Murray et al. 426/582
 D598,635 S * 8/2009 Geoffrion et al. D1/127
 D605,828 S * 12/2009 Brown et al. D1/127
 D616,177 S * 5/2010 Brown et al. D1/127
 D617,079 S * 6/2010 Brown et al. D1/127
 D641,947 S * 7/2011 Bruyea et al. D1/127
 D641,950 S * 7/2011 Bruyea et al. D1/127
 D641,953 S * 7/2011 Bruyea et al. D1/127
 D644,001 S * 8/2011 Bruyea et al. D1/127
 D647,276 S * 10/2011 Bruyea et al. D1/127
 8,105,000 B2 * 1/2012 Goudemond et al. 407/119
 D655,067 S * 3/2012 Bruyea et al. D1/127
 D655,068 S * 3/2012 Bruyea et al. D1/127
 2004/0247746 A1 * 12/2004 Pearce et al. 426/89
 2006/0204451 A1 * 9/2006 Salini 424/48
 2007/0014889 A1 * 1/2007 McHale et al. 426/5
 2007/0231427 A1 * 10/2007 Ream 426/5
 2009/0028998 A1 * 1/2009 Elejalde et al. 426/5
 2009/0053390 A1 * 2/2009 Sakou et al. 426/660
 2009/0148568 A1 * 6/2009 Kawamura et al. 426/89
 2009/0214720 A1 * 8/2009 Almenares et al. 426/101
 2011/0189376 A1 * 8/2011 Elejalde et al. 426/660
 2012/0034346 A1 * 2/2012 Morgan 426/72

* cited by examiner

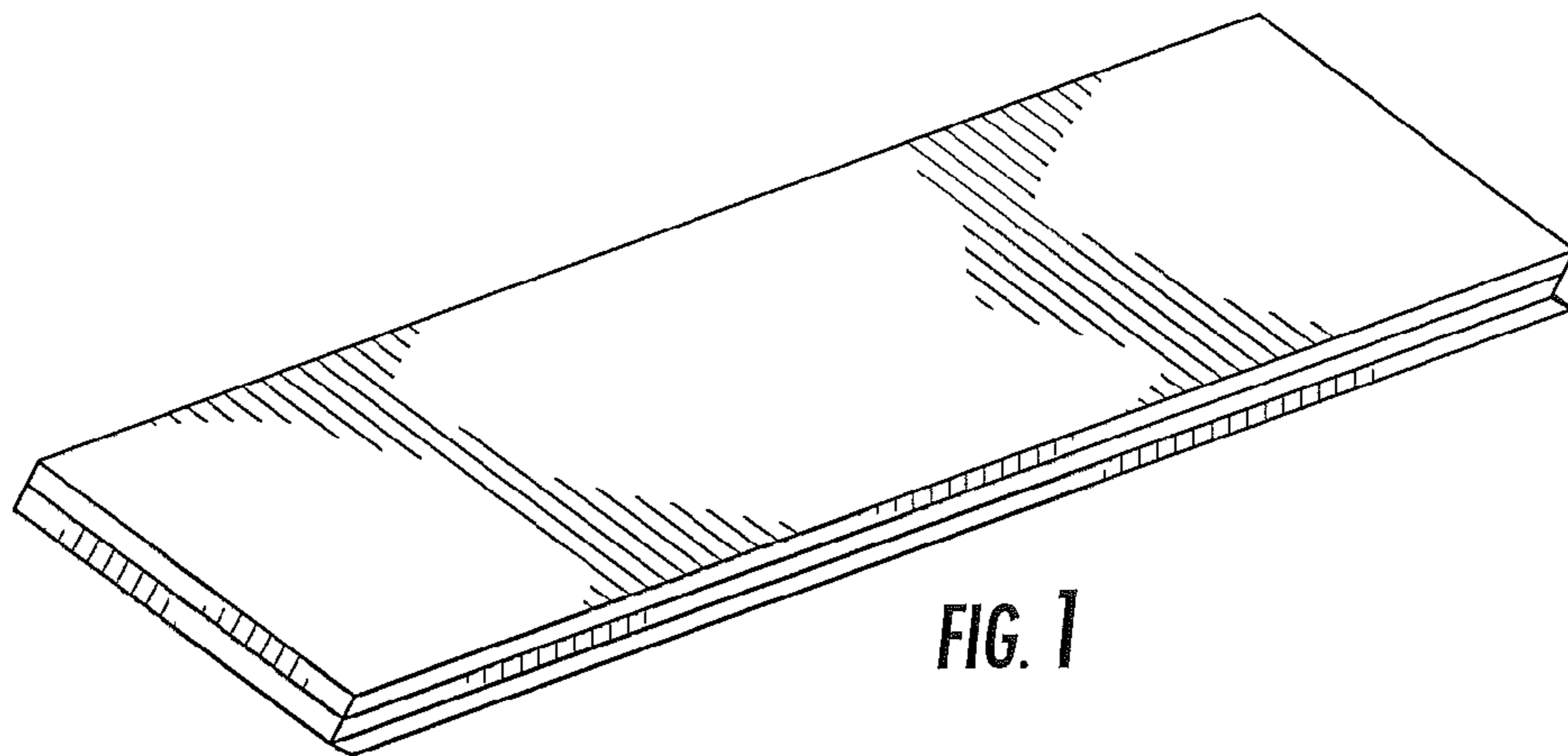


FIG. 1

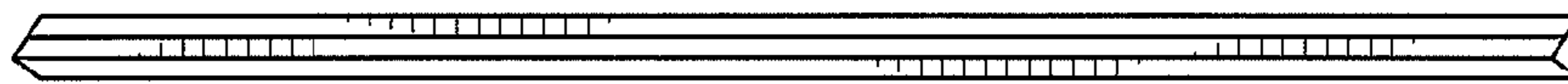


FIG. 2

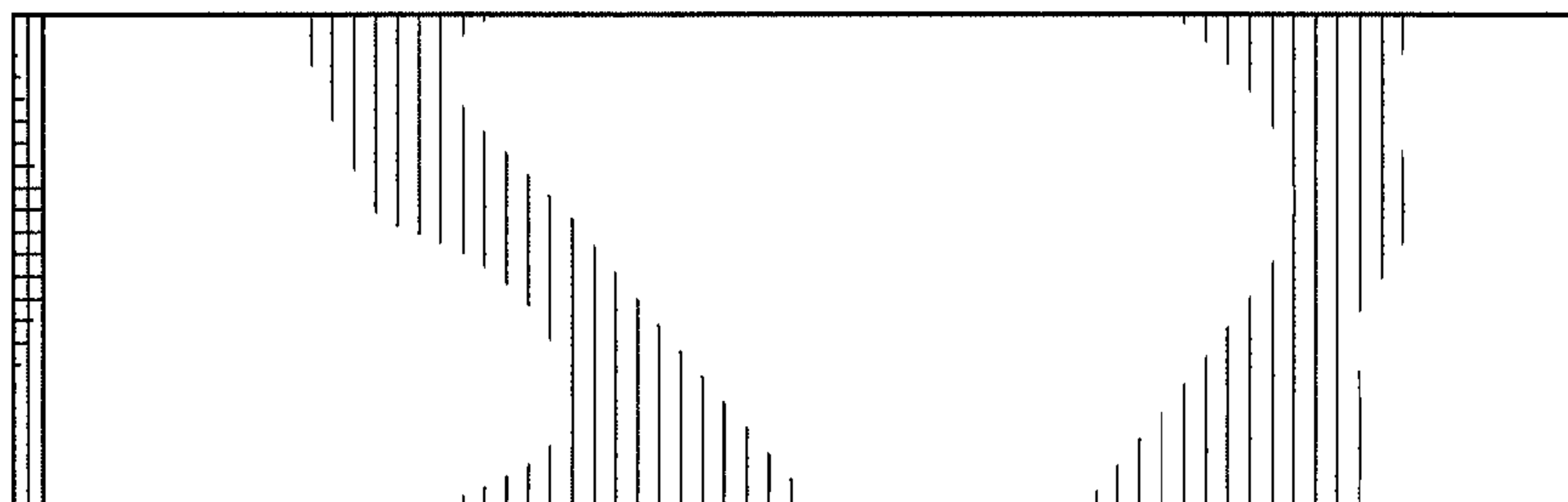


FIG. 3

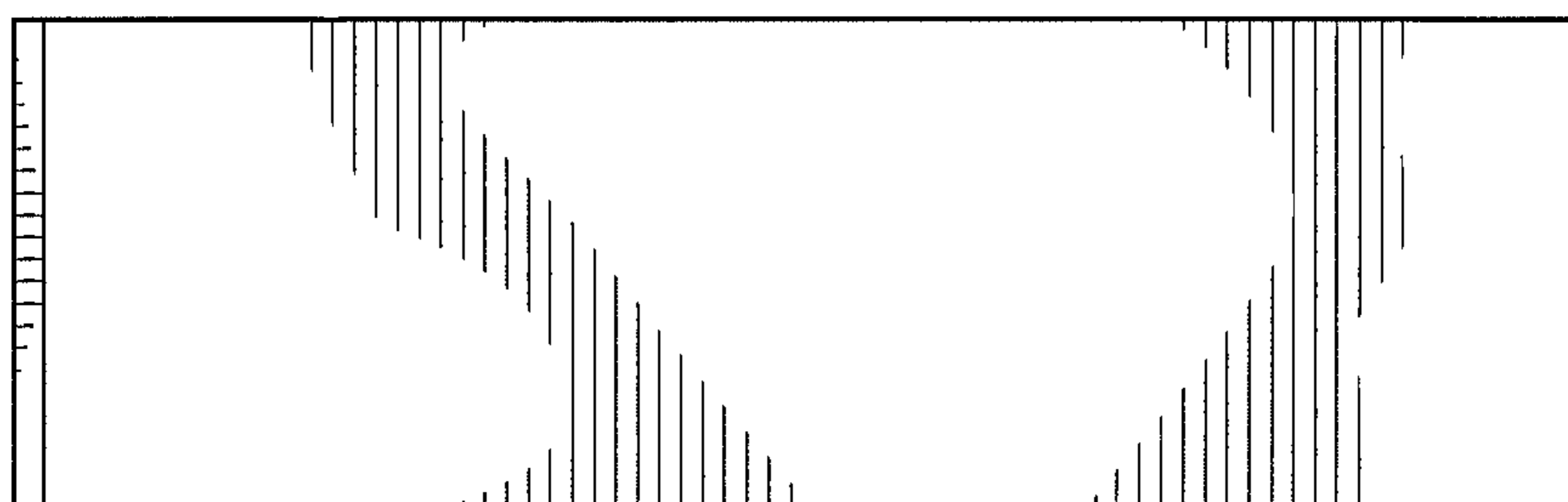


FIG. 4



FIG. 5

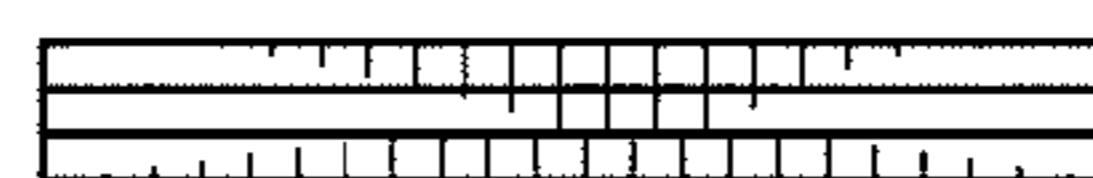


FIG. 6

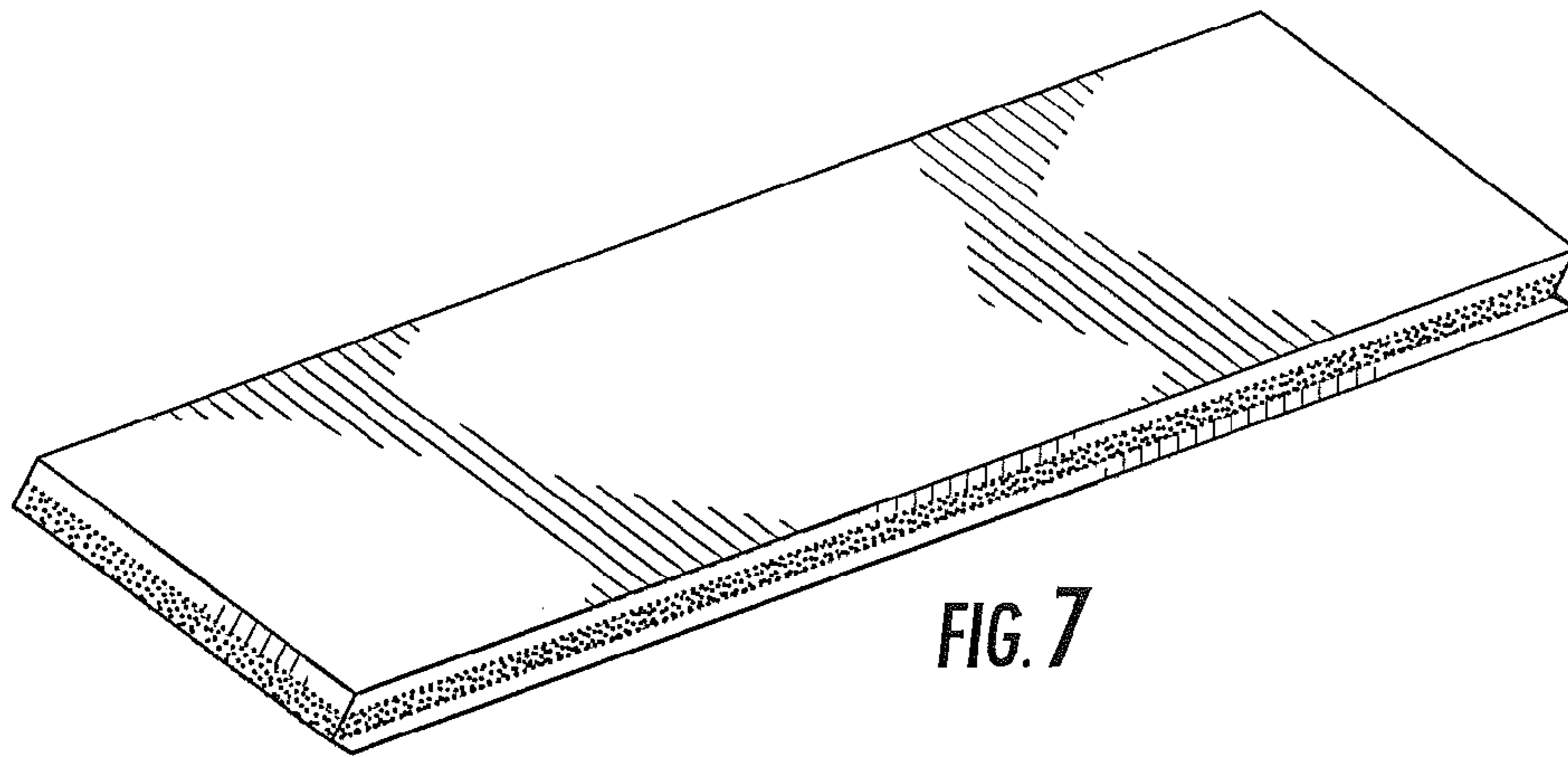


FIG. 7



FIG. 8

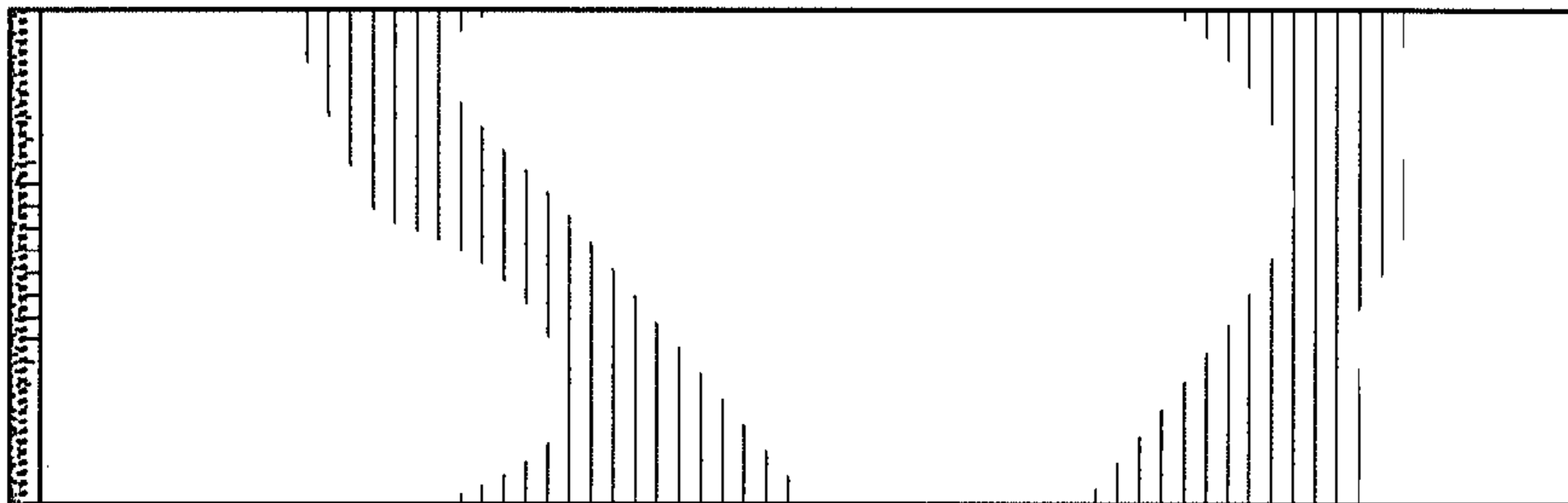


FIG. 9

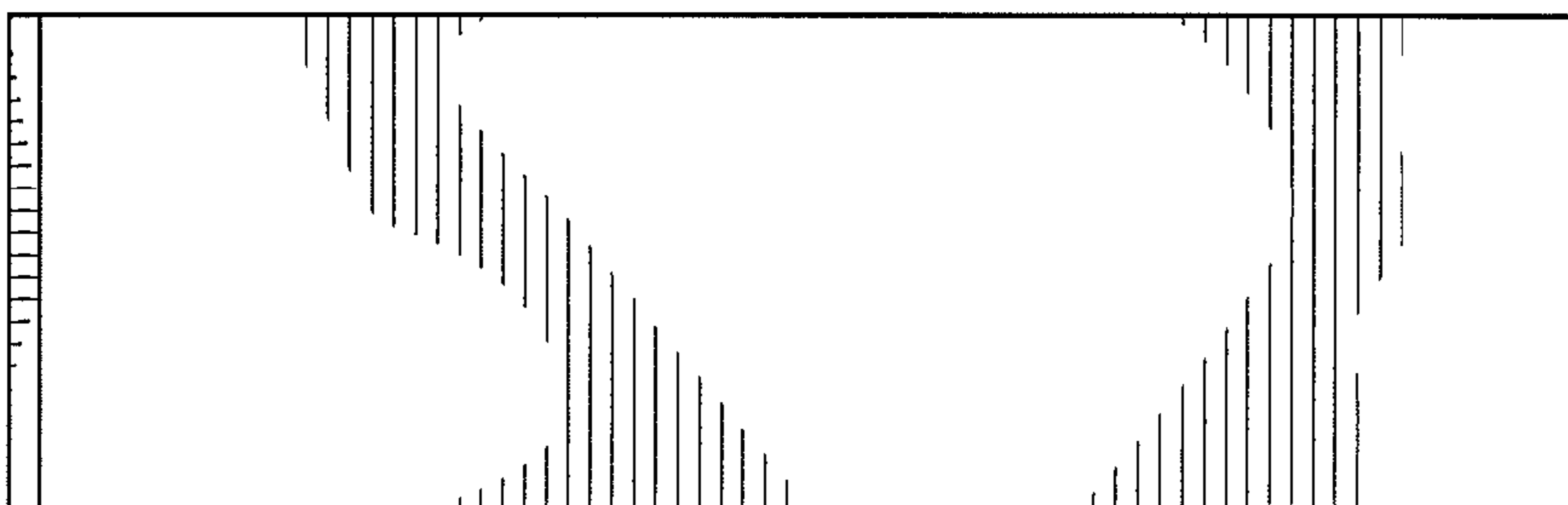


FIG. 10



FIG. 11

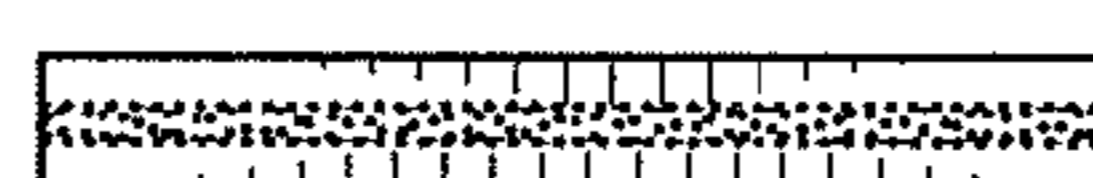


FIG. 12