



US00D688434S

(12) **United States Design Patent**
Kinsky et al.

(10) **Patent No.:** **US D688,434 S**

(45) **Date of Patent:** **** Aug. 20, 2013**

(54) **BUCKET STORAGE SEAT ORGANIZER**

(75) Inventors: **Terrence P. Kinsky**, Alpharetta, GA (US); **Matthew G. Williams**, Lighthouse Point, FL (US)

(73) Assignee: **LF Centennial Limited**, Tortola (VG)

(**) Term: **14 Years**

(21) Appl. No.: **29/404,912**

(22) Filed: **Oct. 26, 2011**

(51) **LOC (9) Cl.** **07-07**

(52) **U.S. Cl.**
USPC **D32/53**

(58) **Field of Classification Search**
USPC D32/53-54; D3/308; D22/136;
43/54.1; 206/315.11; 220/694
See application file for complete search history.

(56) **References Cited**

U.S. PATENT DOCUMENTS

4,361,356	A	11/1982	Tunick	
4,611,726	A	9/1986	Rudd et al.	
4,759,148	A	7/1988	Love	
5,337,892	A	8/1994	Zaffina	
5,350,065	A	9/1994	Darrey	
D355,735	S *	2/1995	Shaffer et al.	D32/53
D371,185	S *	6/1996	Mullins	D22/136
5,659,995	A	8/1997	Hoffman	
D391,717	S	3/1998	Stein	
5,755,057	A *	5/1998	Dancer	43/54.1
D398,663	S	9/1998	Freeland	
6,102,235	A	8/2000	Stern et al.	
D439,022	S	3/2001	Brandeis	
D442,668	S *	5/2001	Tobias	D22/136
6,460,287	B1 *	10/2002	Louie	43/54.1
7,083,063	B2	8/2006	Lien	
7,337,901	B2	3/2008	Phillips	
D574,668	S *	8/2008	Kelly	D7/608

D634,908	S *	3/2011	Lortscher	D32/54
2006/0124505	A1	6/2006	Hanson	
2008/0202948	A1	8/2008	Young	
2011/0000919	A1	1/2011	Whalen	

* cited by examiner

Primary Examiner — Robin V Webster

(74) *Attorney, Agent, or Firm* — Duane Morris LLP; J. Rodman Steele, Jr.; Gregory M. Lefkowitz

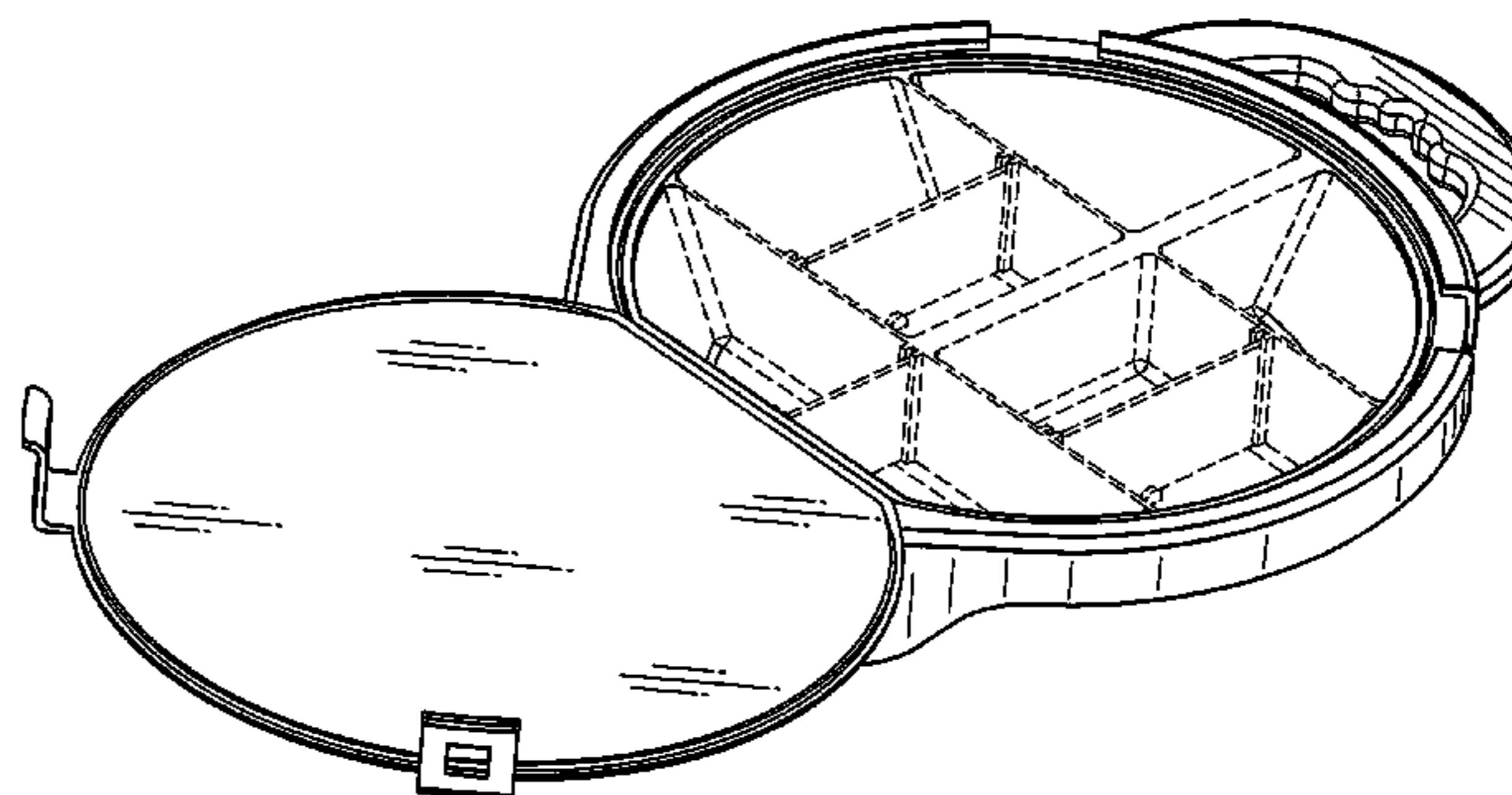
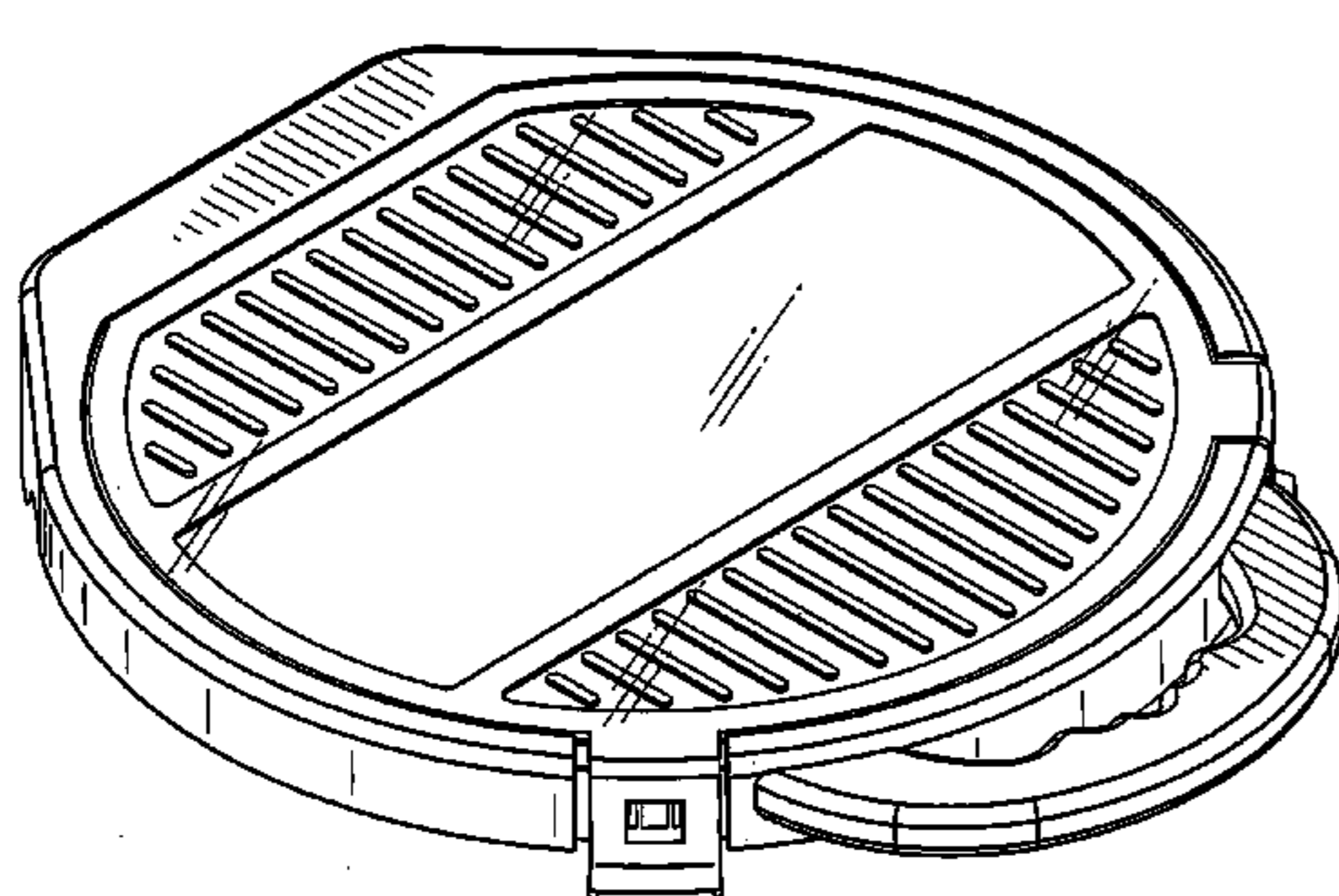
(57) **CLAIM**

The ornamental design for a bucket storage seat organizer, as shown and described.

DESCRIPTION

FIG. 1 is a perspective front view of a bucket storage seat organizer in accordance with the new design; FIG. 2 is a perspective rear view thereof; FIG. 3 is a front elevation view thereof; FIG. 4 is a rear elevation view thereof; FIG. 5 is a left side elevation view thereof; FIG. 6 is a right side elevation view thereof; FIG. 7 is a top plan view thereof; FIG. 8 is a bottom plan view thereof; FIG. 9 is a perspective front view thereof, with the lid in the open position; FIG. 10 is a perspective rear view thereof, with the lid in the open position; FIG. 11 is a perspective front, exploded view thereof, with the lid in the open position; and, FIG. 12 is a front elevation view thereof, with the lid in the open position. The broken lines are included for purposes of illustrating environment and form no part of the claimed design.

1 Claim, 10 Drawing Sheets



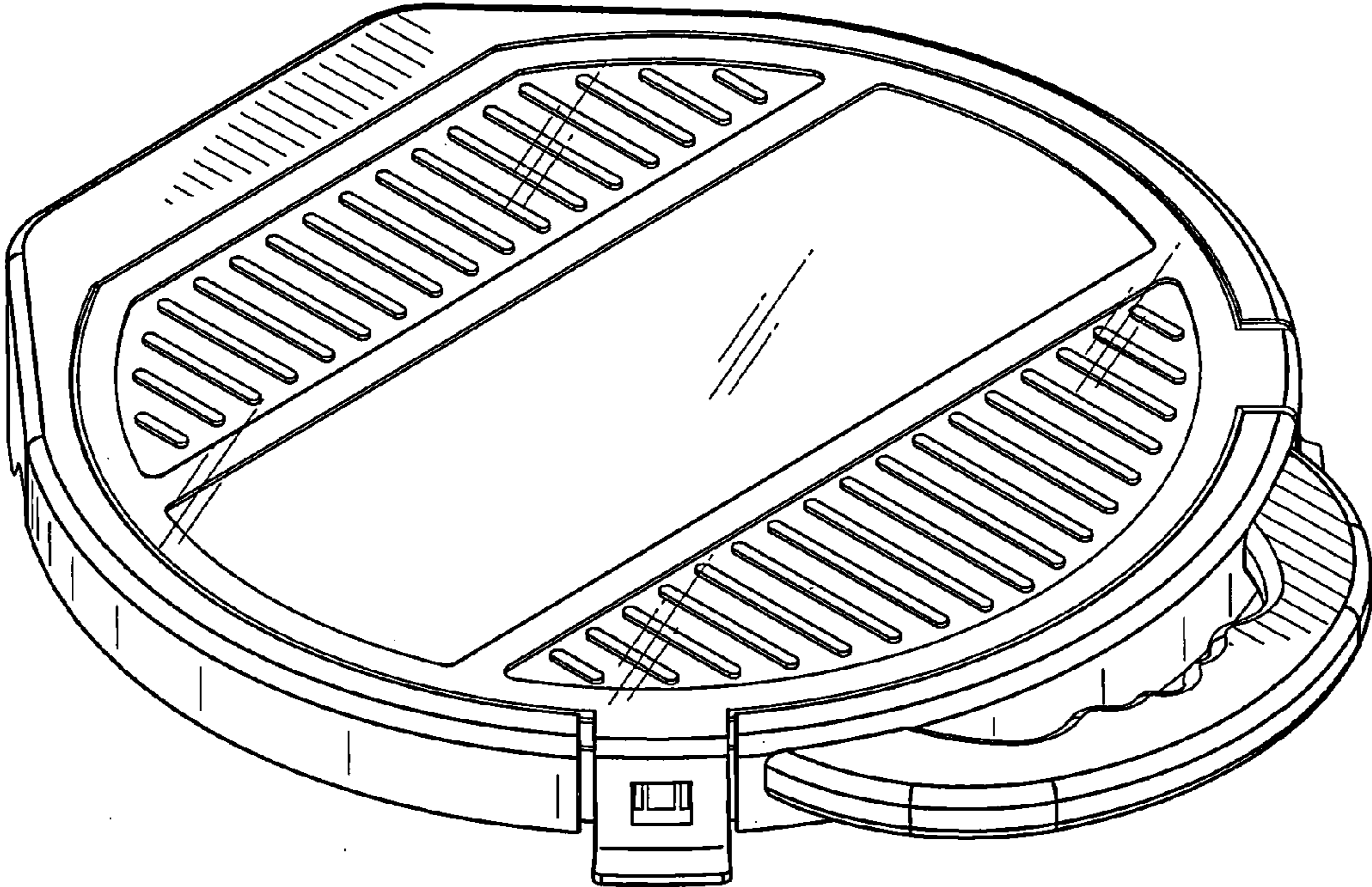


FIG. 1

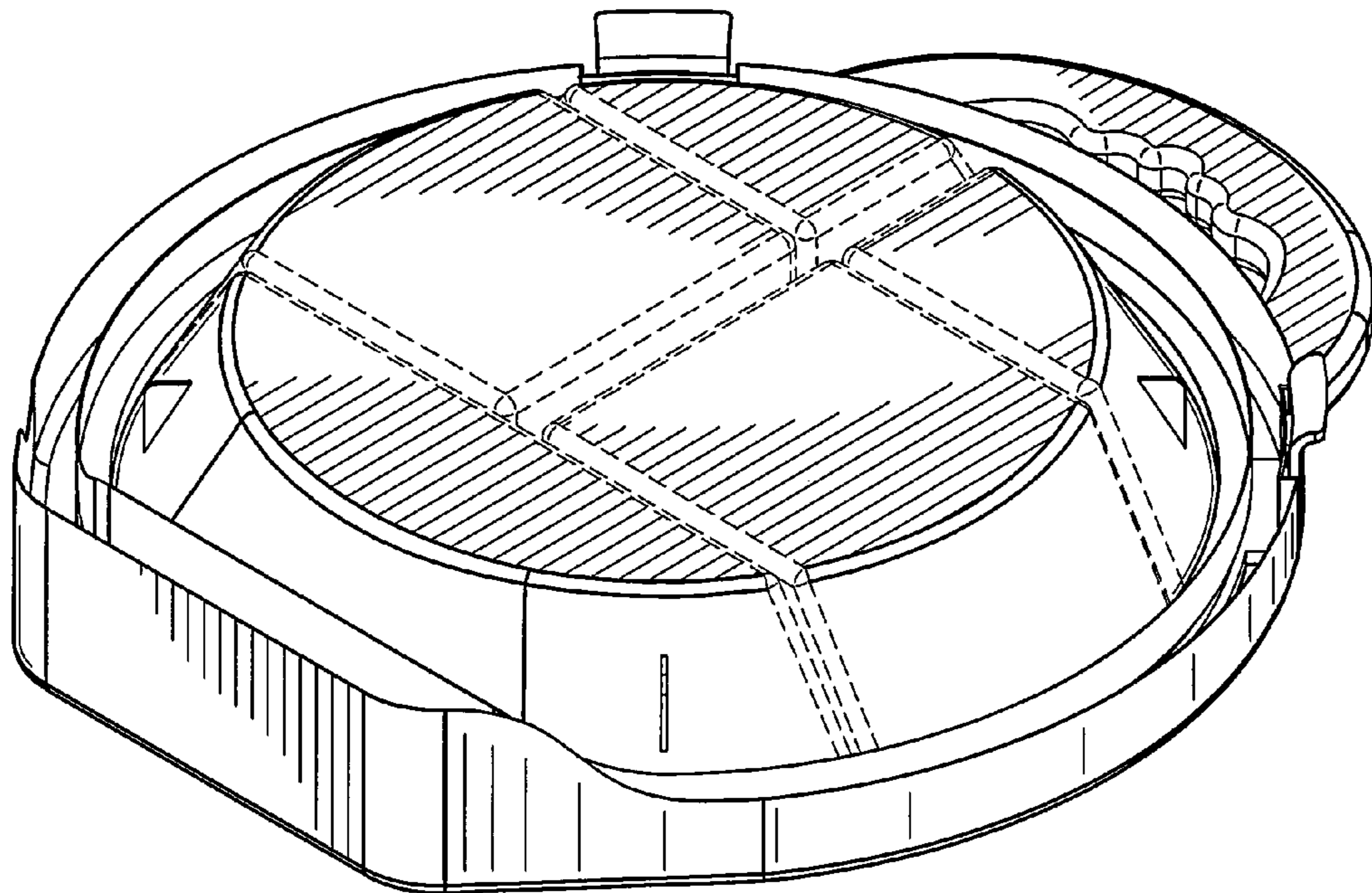


FIG. 2

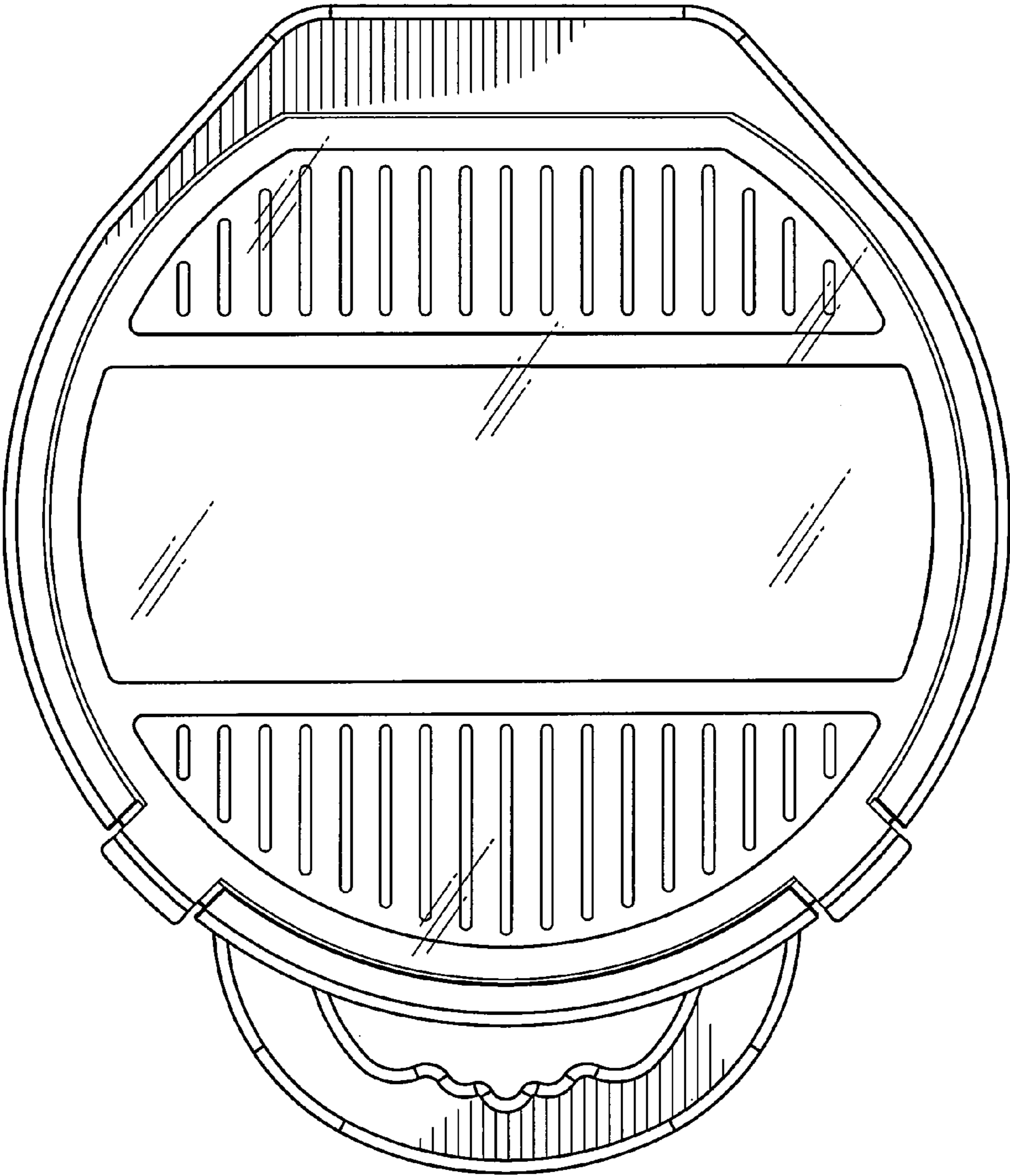


FIG. 3

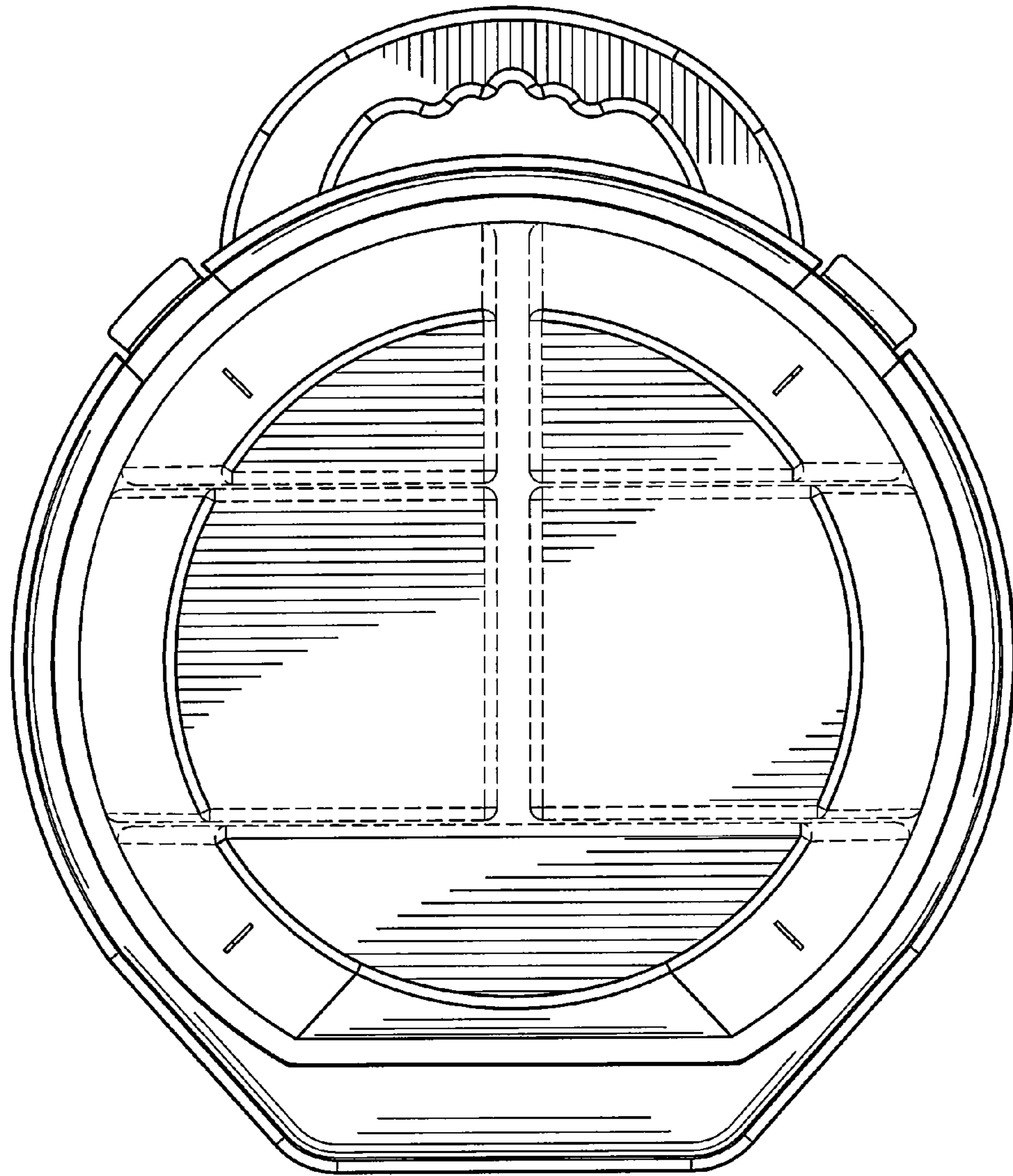


FIG. 4

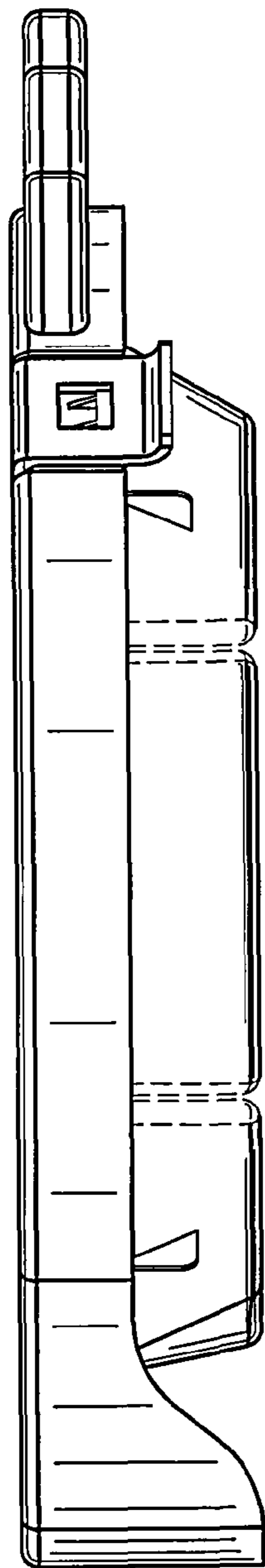


FIG. 5

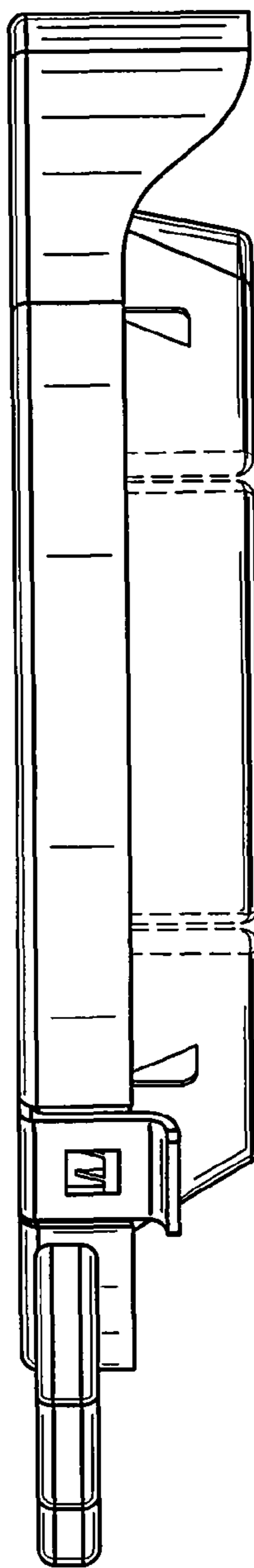


FIG. 6

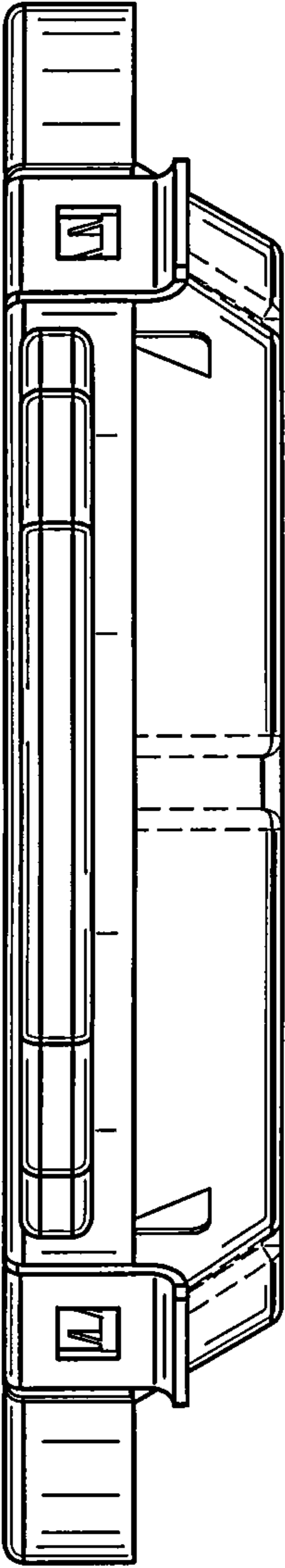


FIG. 7

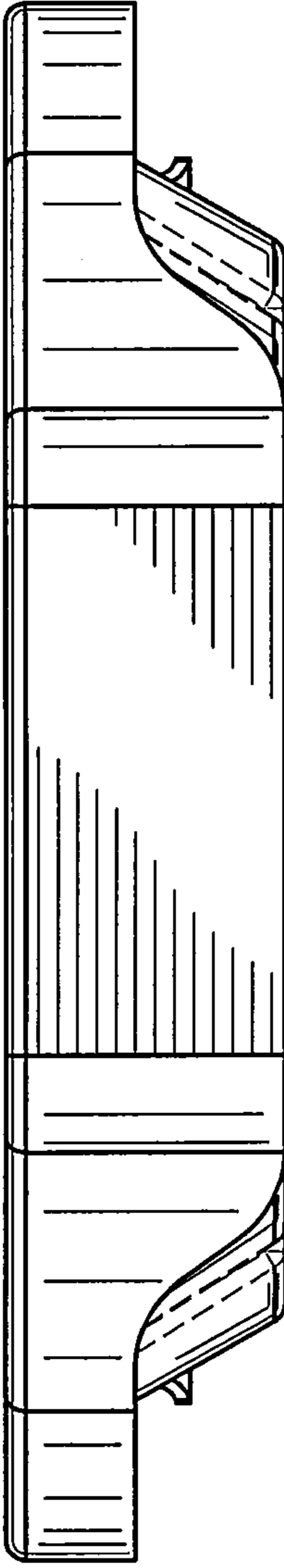


FIG. 8

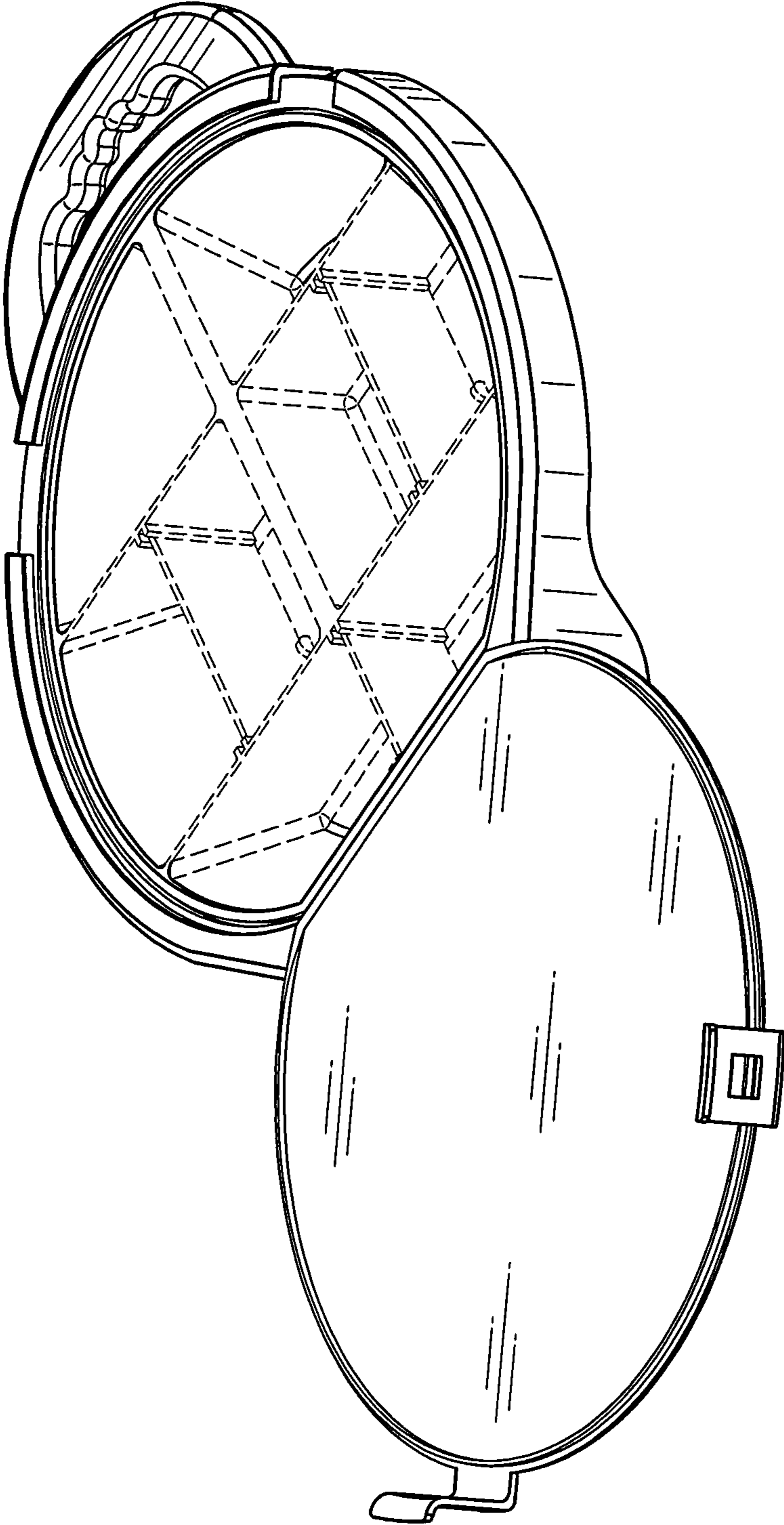


FIG. 9

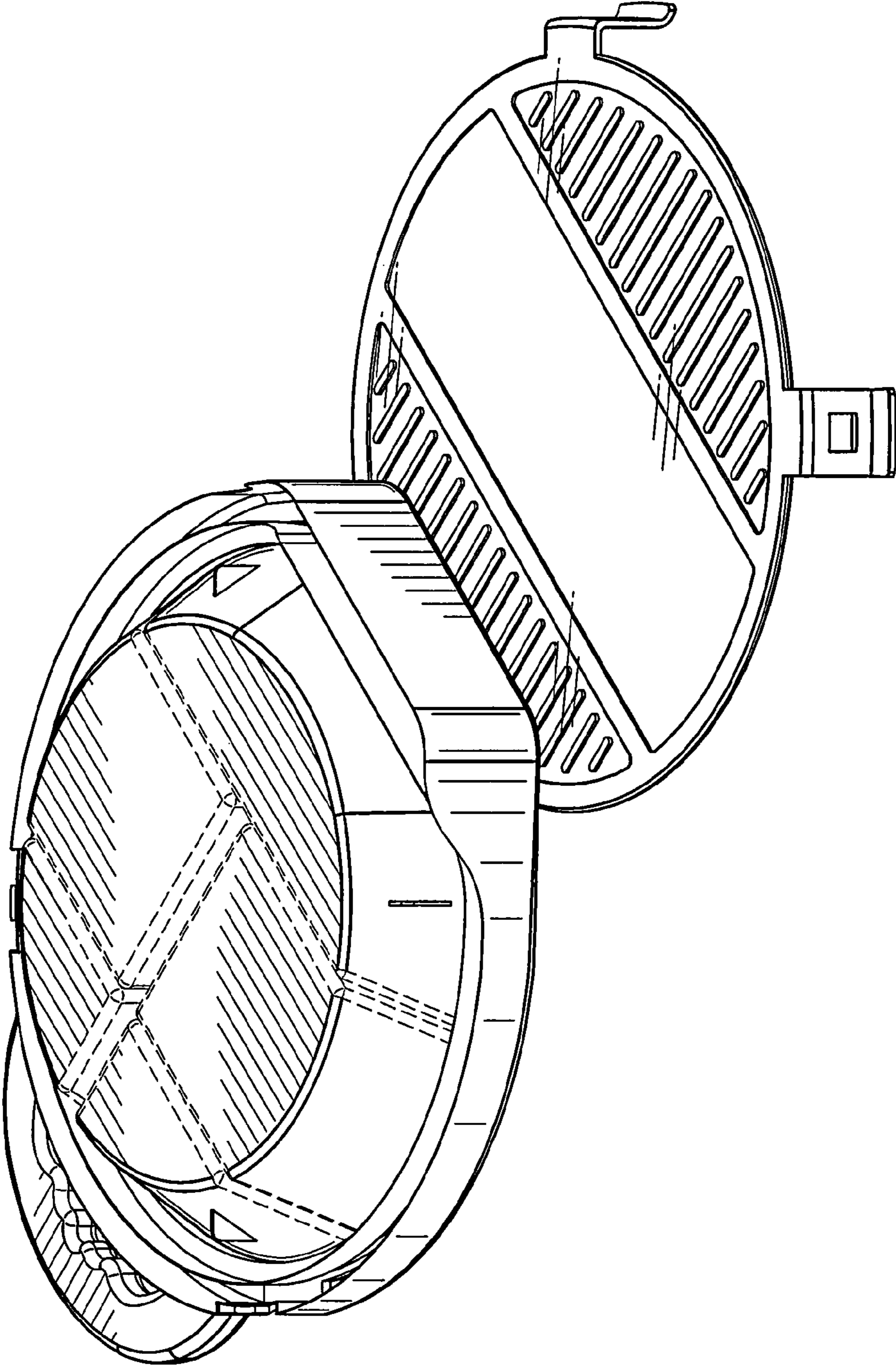


FIG. 10

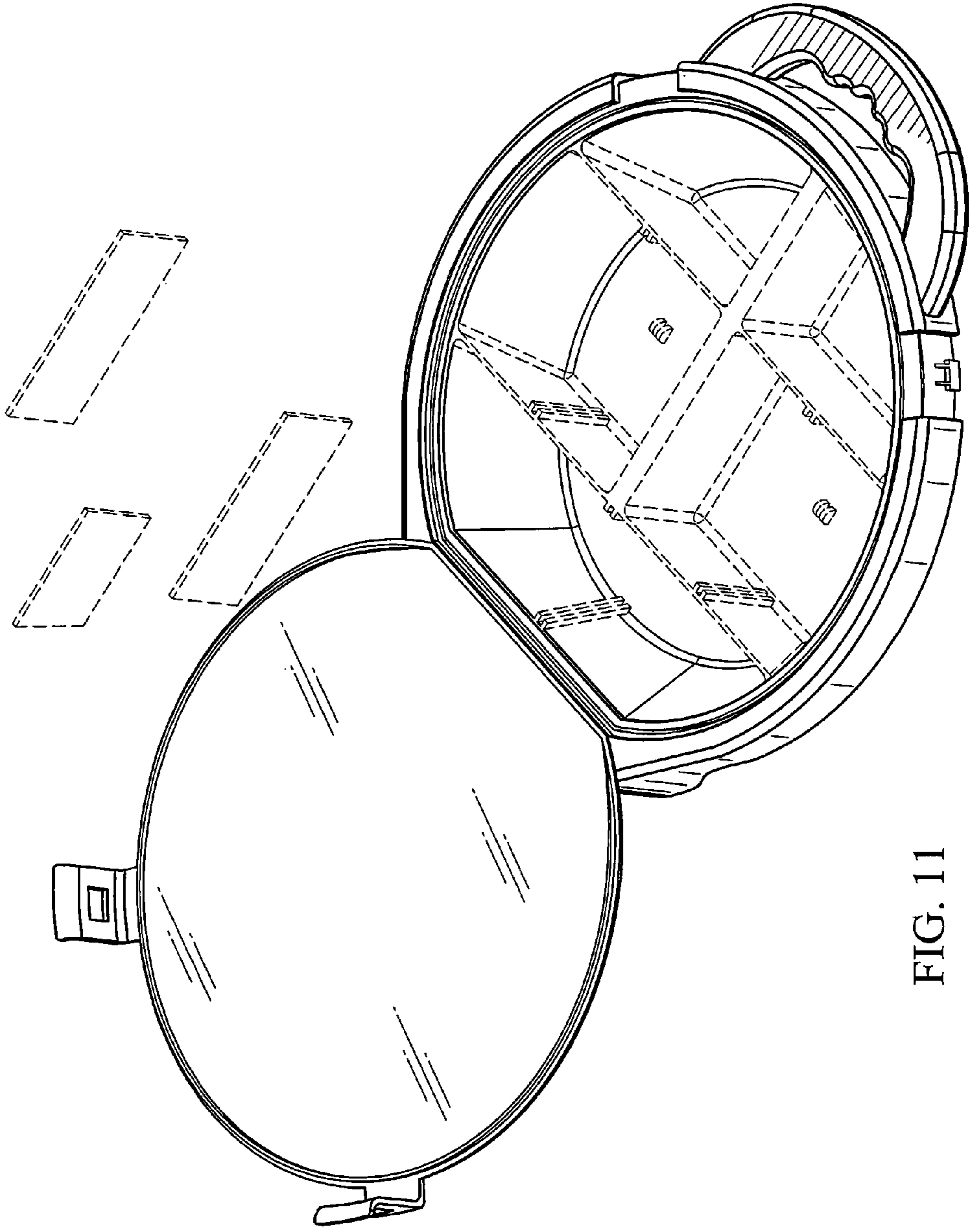


FIG. 11

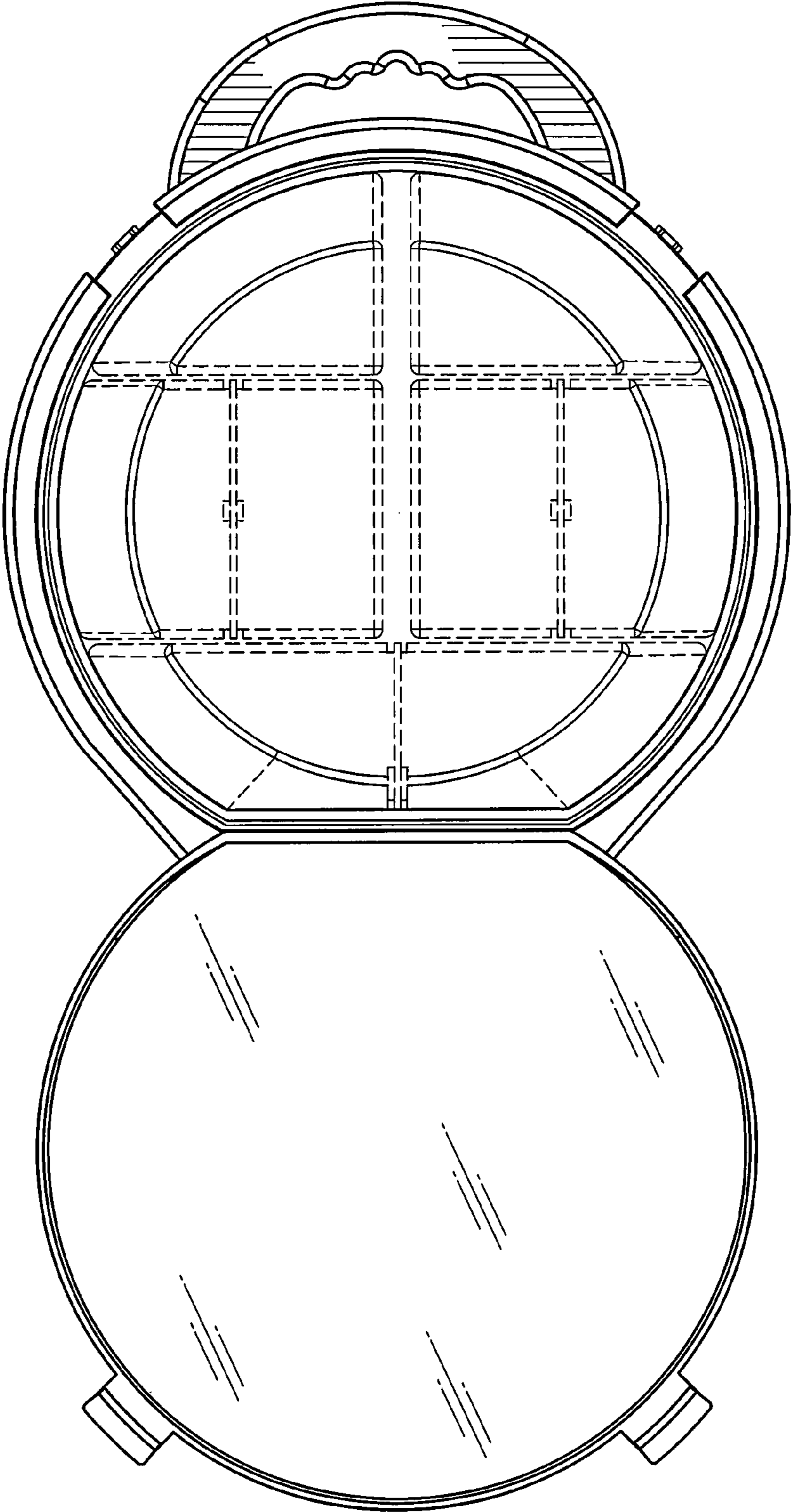


FIG. 12