

US00D688433S

(12) **United States Design Patent**
Morcott

(10) **Patent No.:** **US D688,433 S**

(45) **Date of Patent:** **** Aug. 20, 2013**

(54) **RETRACTABLE CHANGEABLE BRUSH ASSEMBLY**

(76) Inventor: **Deborah D Morcott**, Savannah, GA (US)

(**) Term: **14 Years**

(21) Appl. No.: **29/374,012**

(22) Filed: **Jun. 22, 2011**

(51) **LOC (9) Cl.** **04-01**

(52) **U.S. Cl.**
USPC **D32/47; D4/130**

(58) **Field of Classification Search**
USPC D32/47, 40; 15/159.1, 160, 161, 15/110, 112, 237; D4/119, 120, 130; D6/583, D6/592, 594
See application file for complete search history.

(56) **References Cited**

U.S. PATENT DOCUMENTS

D154,722 S *	8/1949	Staheli	D32/47
D189,287 S *	11/1960	Dobbins	D32/47
D190,333 S *	5/1961	Gunderson	D4/118
D191,194 S *	8/1961	Davis et al.	D4/118
D191,498 S *	10/1961	Chamberlain	D4/118
D212,209 S *	9/1968	Seger	D4/116
D256,524 S *	8/1980	Elliott	D32/47
D280,868 S *	10/1985	Russell	D4/118
D293,164 S *	12/1987	Shearer	D4/118
D324,778 S *	3/1992	Whittington	D4/136
D339,919 S *	10/1993	Cox	D4/119
D348,500 S *	7/1994	Mortenson et al.	D21/795
D351,947 S *	11/1994	Fitzgerald	D4/121

D374,505 S *	10/1996	Garrison	D28/63
D386,858 S *	11/1997	Mandish	D32/47
D446,354 S *	8/2001	Jusinski	D28/63
D522,248 S *	6/2006	Huller	D4/125
D539,546 S *	4/2007	Huller	D4/127
D560,365 S *	1/2008	Huller	D4/124
D584,466 S *	1/2009	Elliott	D32/47
D619,317 S *	7/2010	Fernando	D32/47

* cited by examiner

Primary Examiner — John Windmuller

(74) *Attorney, Agent, or Firm* — Sonya C. Harris; Invention Services

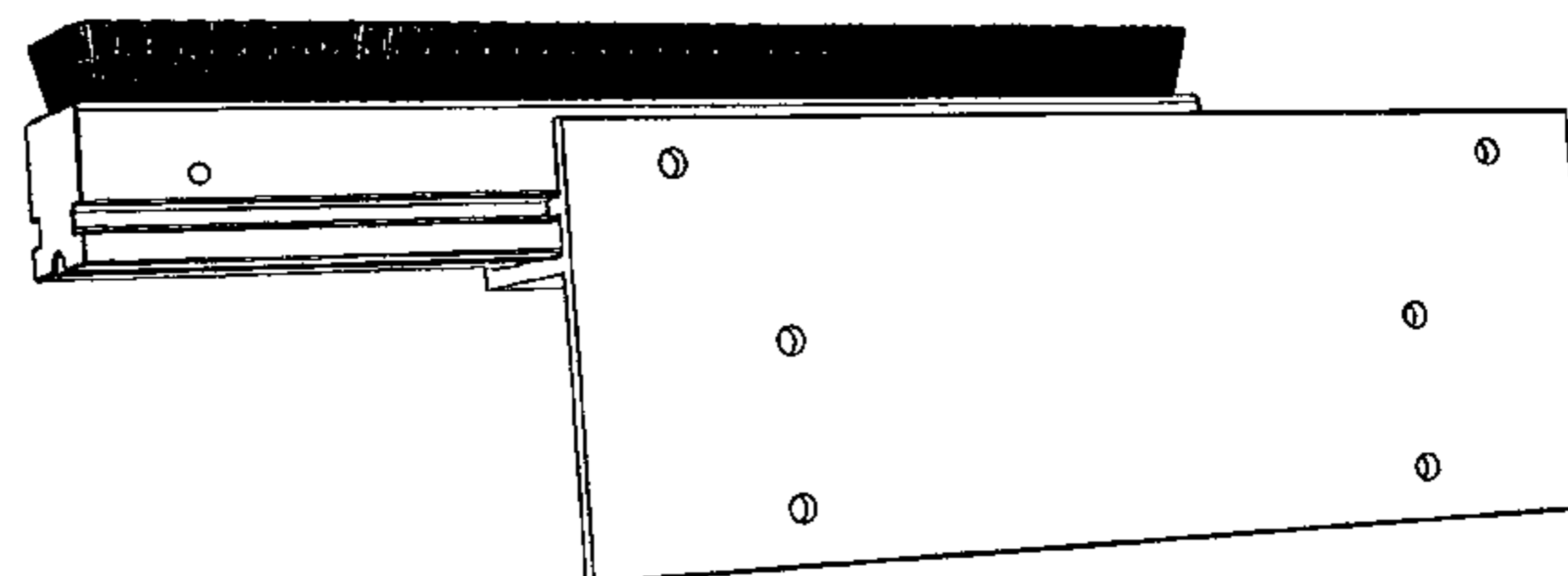
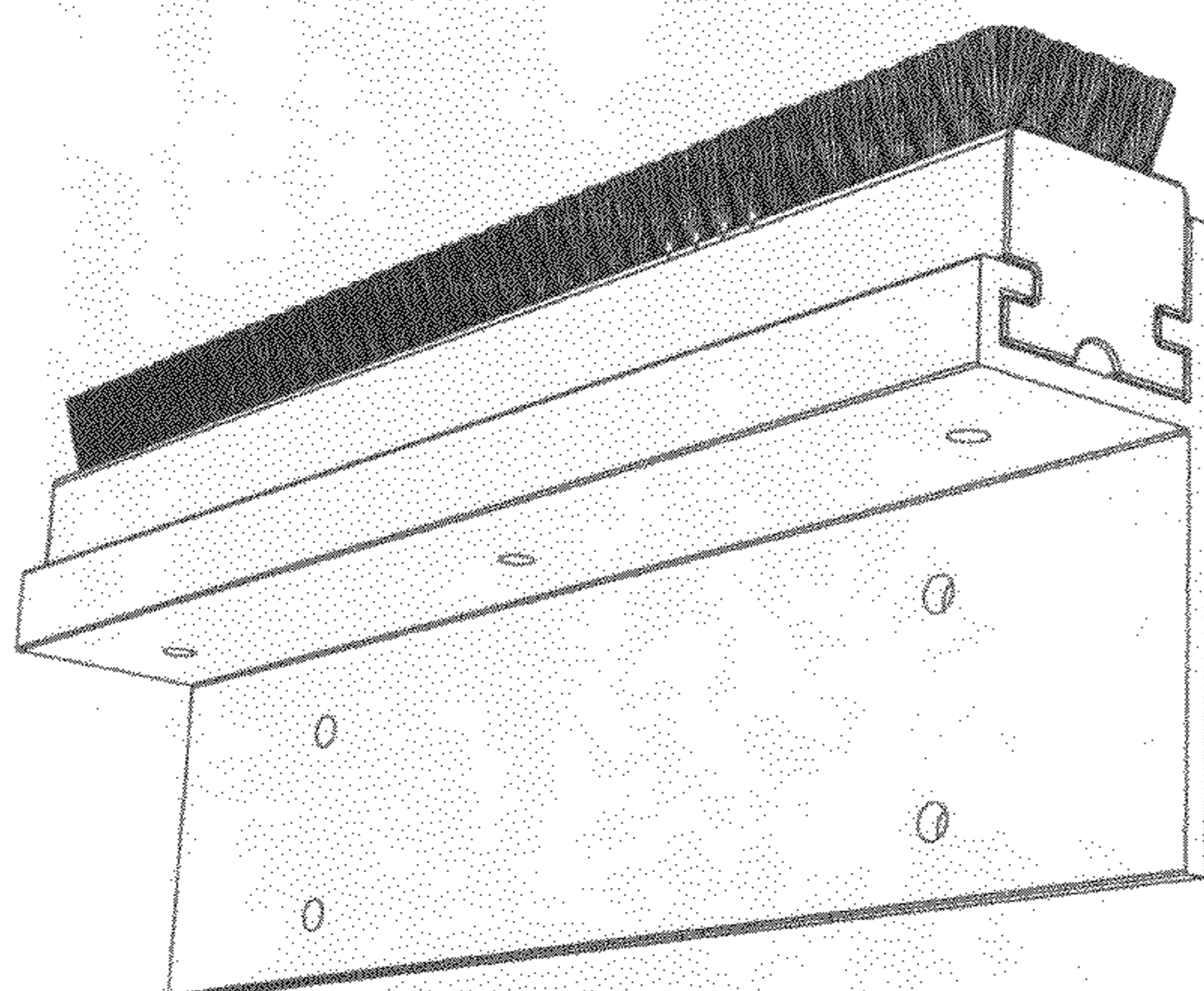
(57) **CLAIM**

The ornamental design for a retractable changeable brush assembly, as shown and described.

DESCRIPTION

FIG. 1 is a bottom right perspective view of my design; FIG. 2 is a right side elevational view of my design; FIG. 3 is a left side elevational view of my design; FIG. 4 is a bottom plan view of my design; FIG. 5 is a front elevational view of my design; FIG. 6 a front elevational view of my design; FIG. 7 is a bottom right perspective view of my design in an extended position; FIG. 8 is a bottom left perspective view of my design in an extended position; and, FIG. 9 is front elevational view of my design. The broken line illustration of mounting steps shown in FIG. 9 illustrate environmental structure and forms no part of the claimed design.

1 Claim, 9 Drawing Sheets



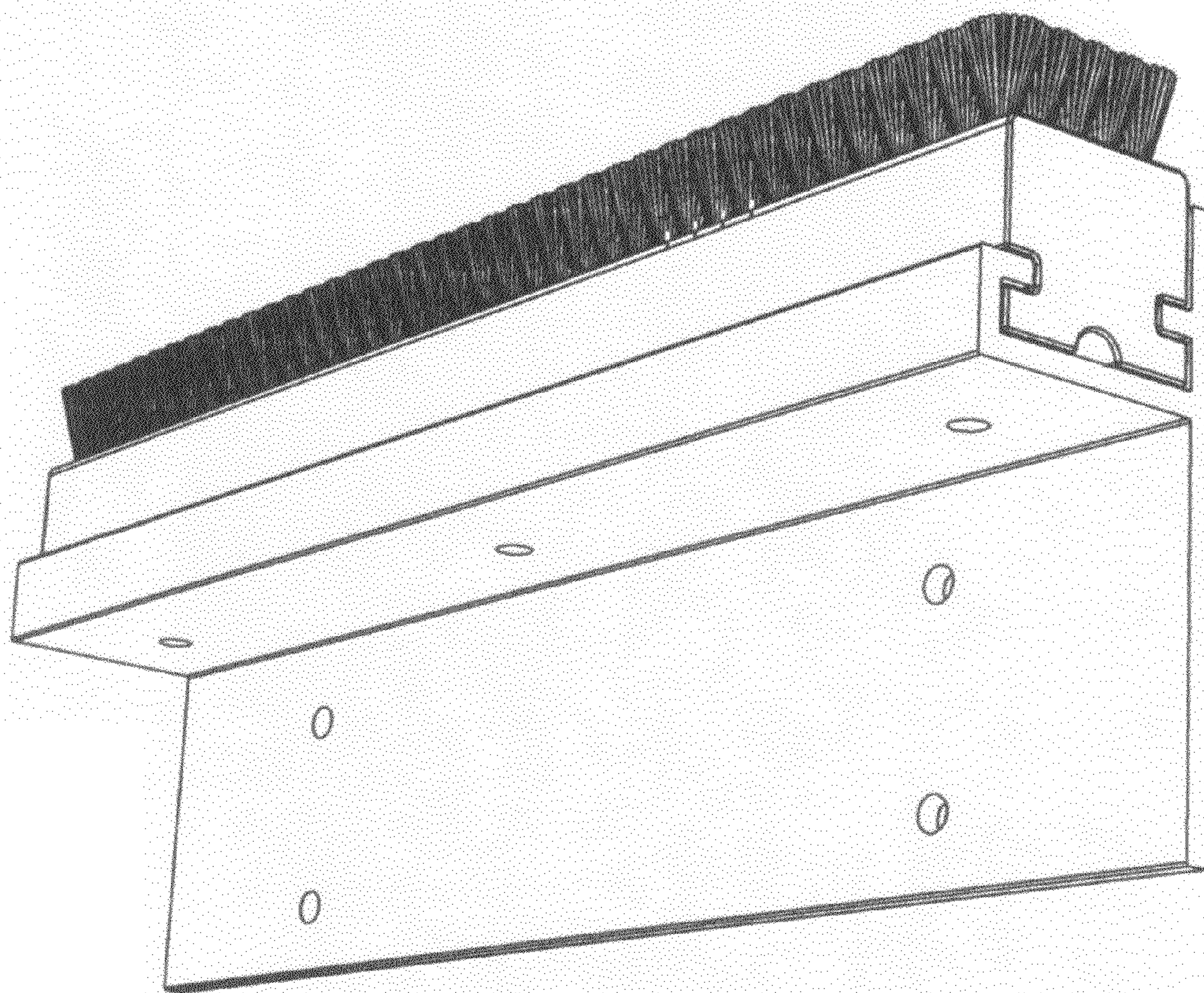


FIG. 1

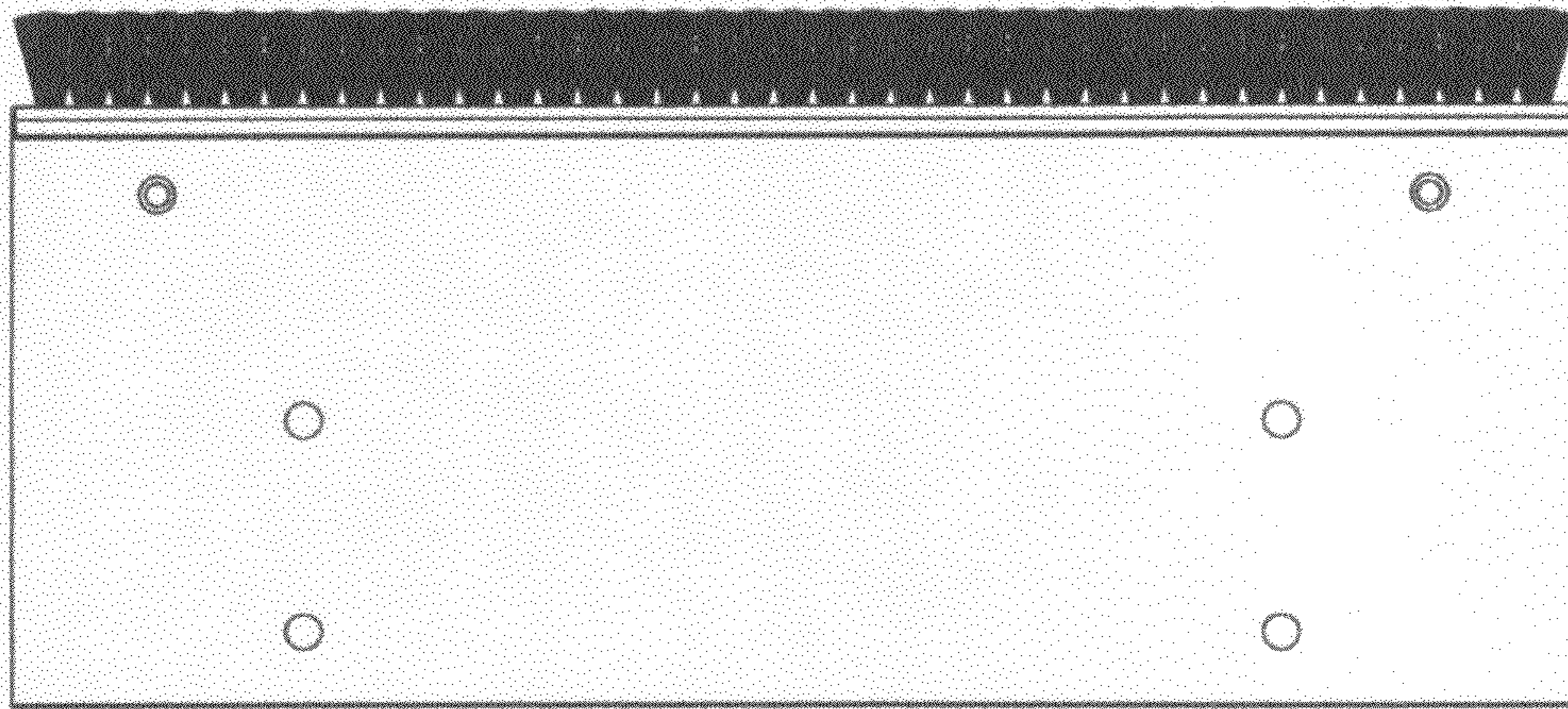


FIG. 2

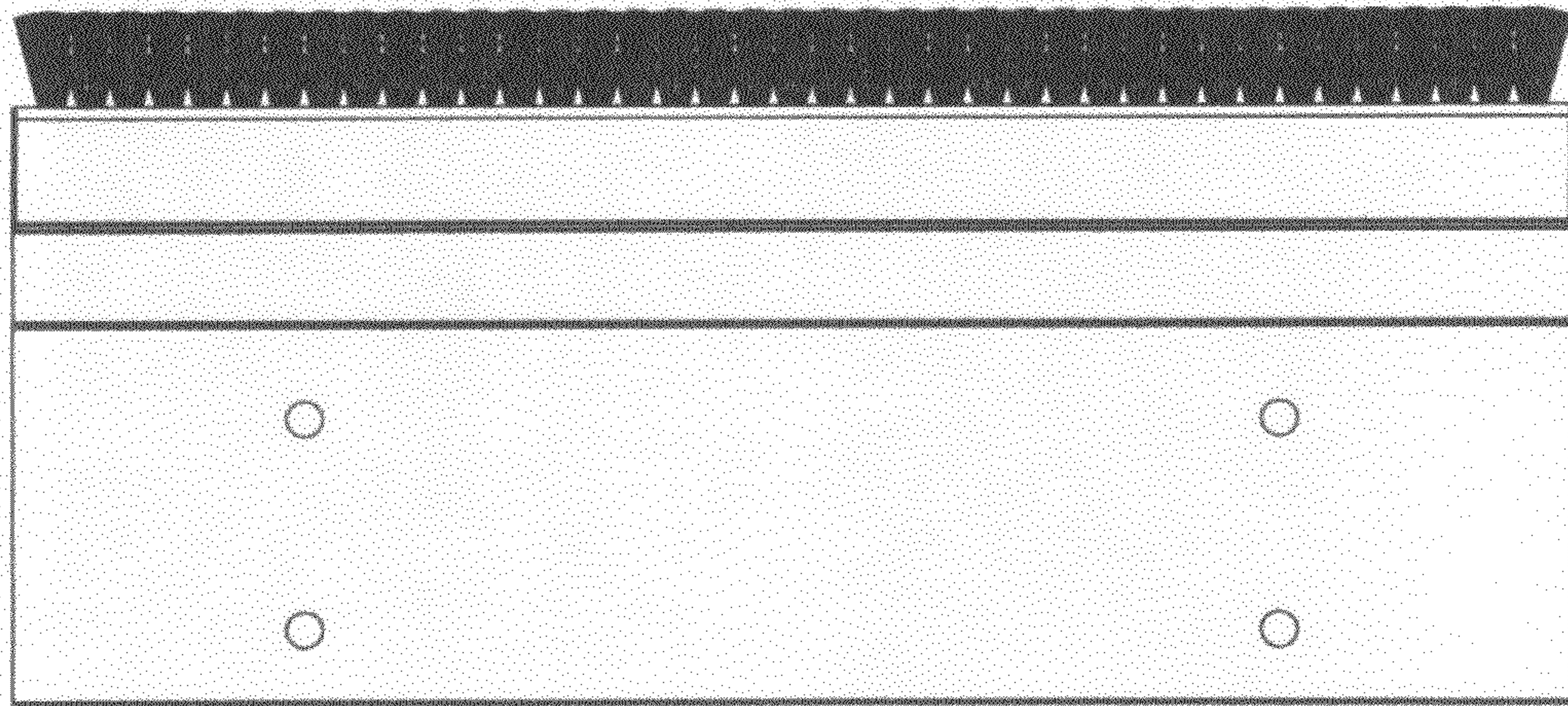


FIG. 3

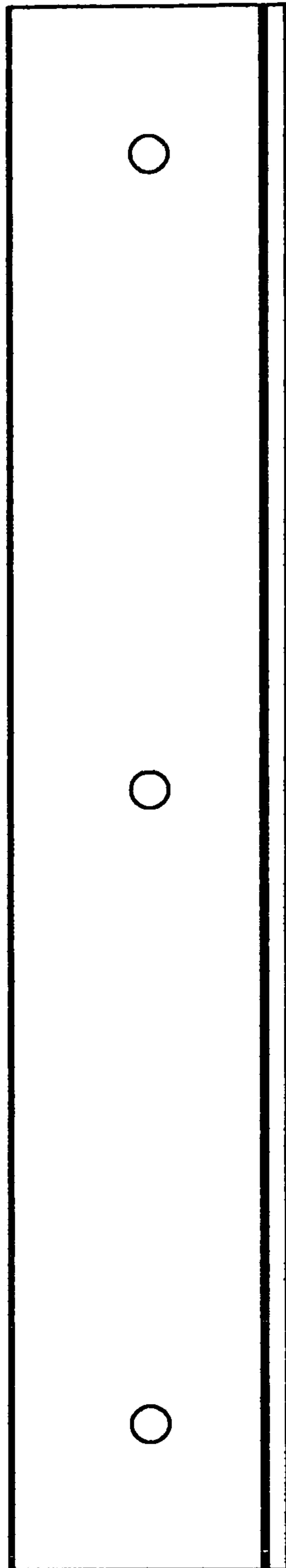


FIG. 4

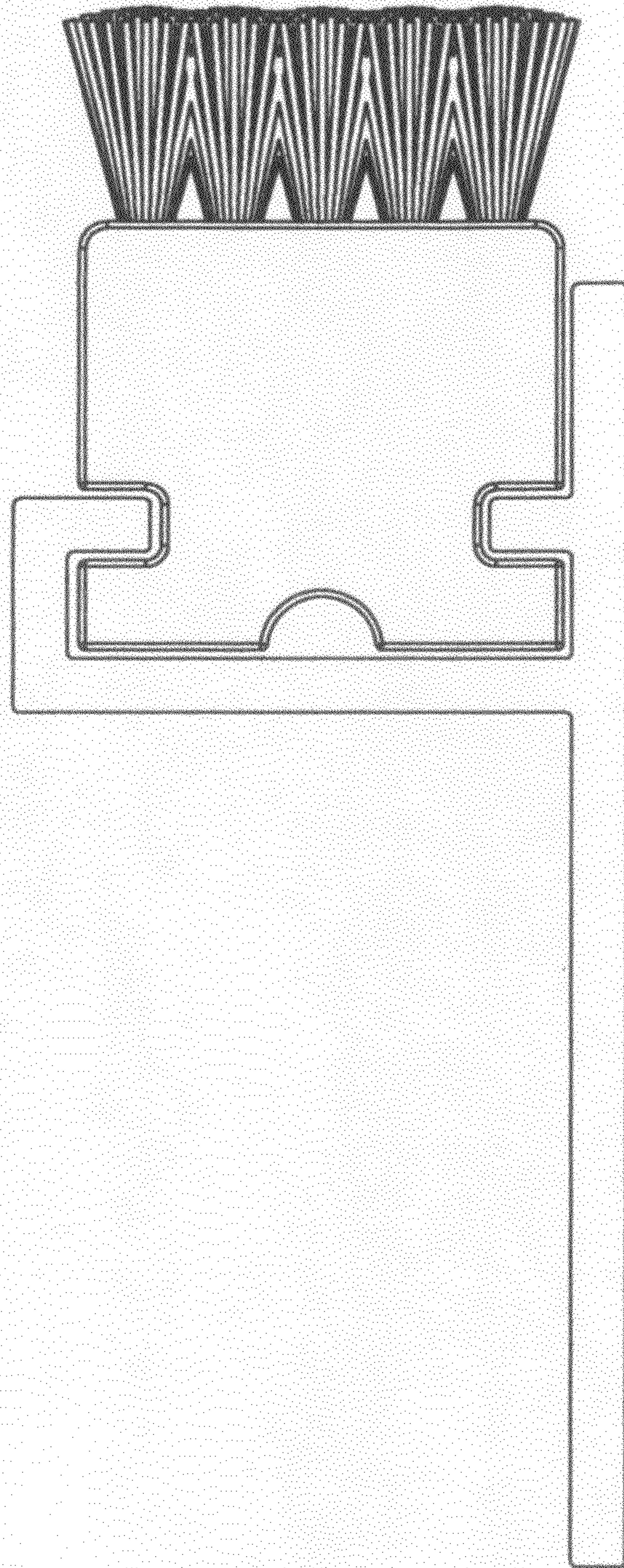


FIG. 5

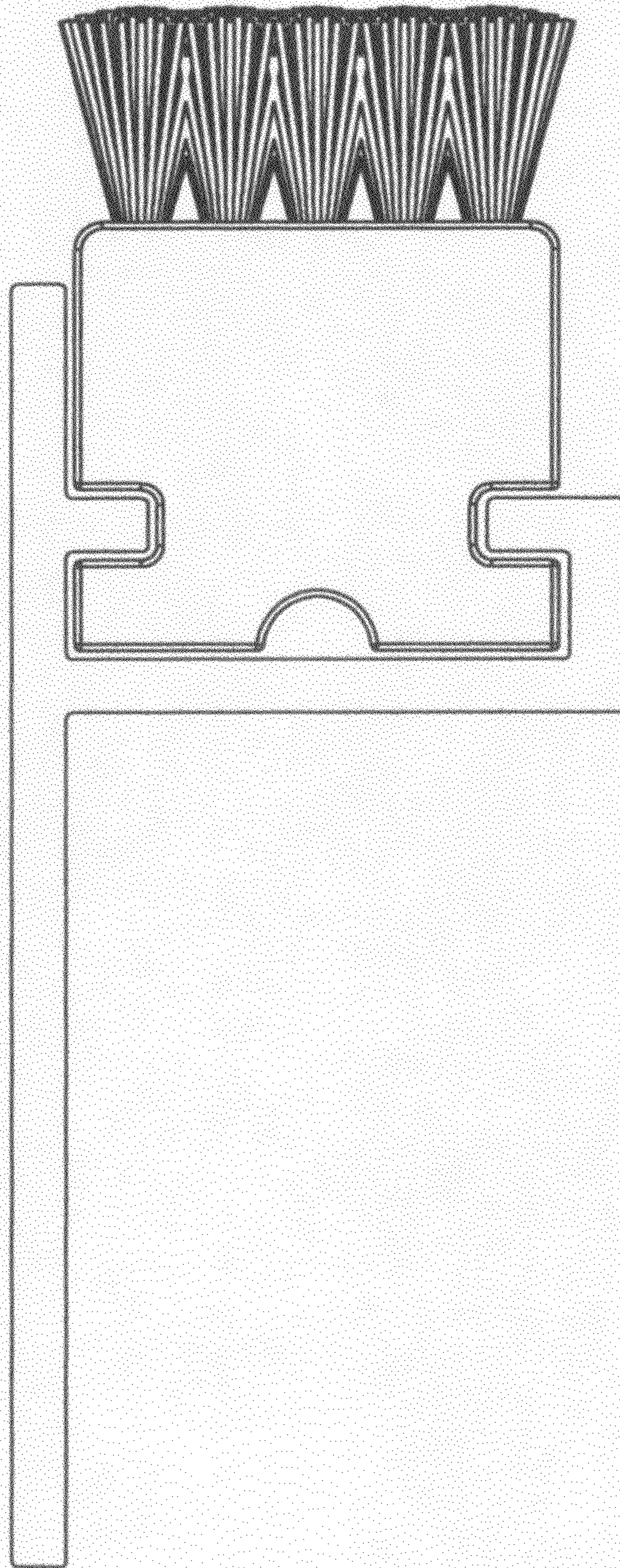


FIG. 6

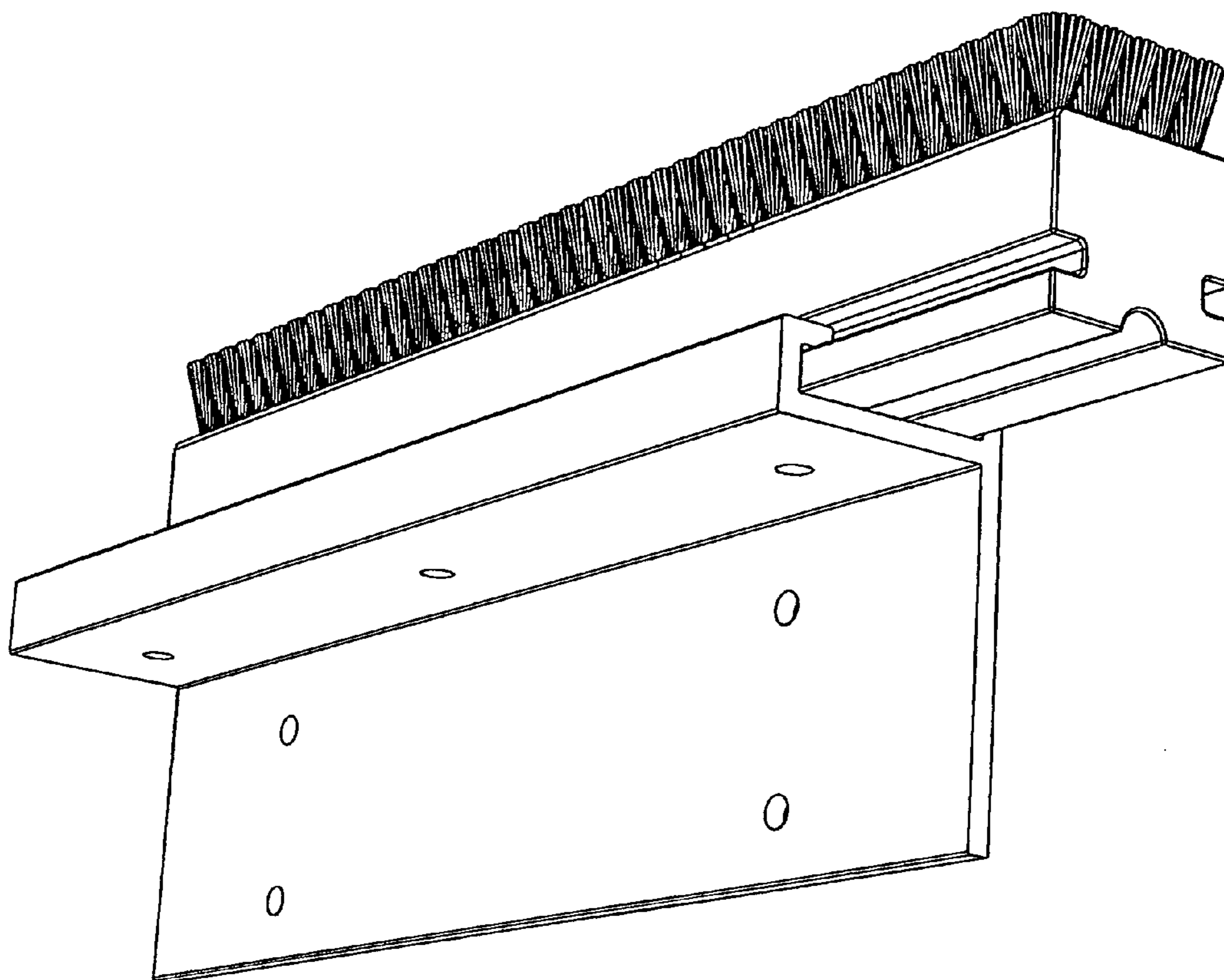


FIG. 7

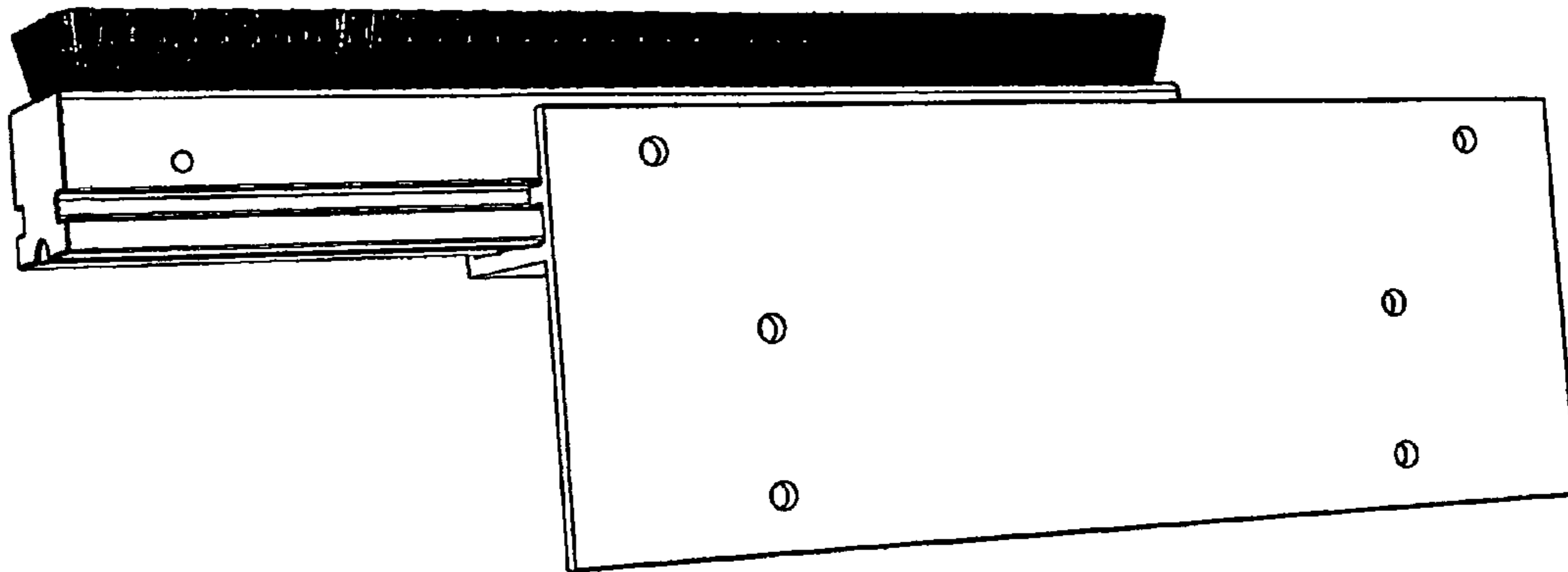


FIG. 8

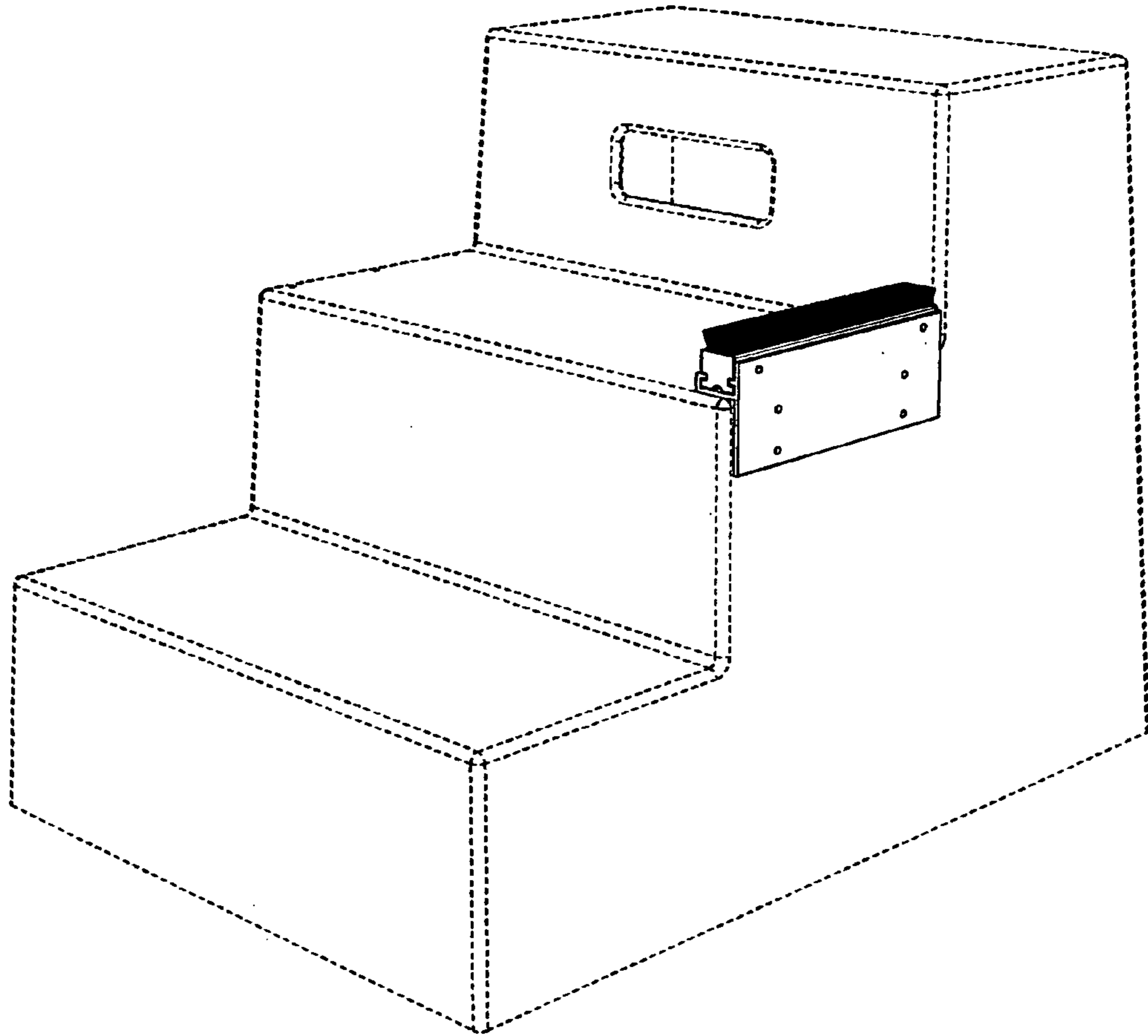


FIG. 9