



US00D688431S

(12) **United States Design Patent**
Luedke et al.

(10) **Patent No.:** **US D688,431 S**

(45) **Date of Patent:** **** Aug. 20, 2013**

(54) **FOOT FOR A STEAM CLEANER**

(75) Inventors: **Adam Luedke**, Holland, MI (US);
Lawrence Chun-Hei Chu, Shenzhen
(CN); **Charles Jing Yang**, Zhongshan
(CN); **Richard Lee Lane**, Columbus,
OH (US); **Igor Ivanovich Zemskov**,
Dublin, OH (US)

(73) Assignee: **BISSELL Homecare, Inc.**, Grand
Rapids, MI (US)

(**) Term: **14 Years**

(21) Appl. No.: **29/423,705**

(22) Filed: **Jun. 4, 2012**

(51) **LOC (9) Cl.** **15-05**

(52) **U.S. Cl.**
USPC **D32/32; D32/50**

(58) **Field of Classification Search**
USPC D32/21, 22, 31-34, 17, 42, 45, 49,
D32/50; 15/1.7, 415.1, 416-422.1, 414,
15/322, 353, 400, 327.1, 319, 366, 383, 179,
15/182, 41.1, 320, 403, 246.2, 328;
401/137-140, 40-41; 141/20.5
See application file for complete search history.

(56) **References Cited**

U.S. PATENT DOCUMENTS

5,054,157	A *	10/1991	Werner et al.	15/328
D404,862	S *	1/1999	Johnson	D32/50
D487,947	S *	3/2004	Pecci et al.	D32/32
7,137,169	B2 *	11/2006	Murphy et al.	15/320
7,163,349	B2 *	1/2007	Policicchio et al.	401/137
D563,068	S *	2/2008	Jiang et al.	D32/50

D574,565	S *	8/2008	Harper et al.	D32/50
D585,615	S *	1/2009	Enyuva	D32/50
7,520,015	B1 *	4/2009	Ajello	15/1.7
D607,165	S *	12/2009	Libman et al.	D32/45
D607,167	S *	12/2009	Libman et al.	D32/45
D617,066	S *	6/2010	Koenig et al.	D32/50
D625,480	S *	10/2010	Raven	D32/50
D631,217	S *	1/2011	Lavy	D32/45
D656,283	S *	3/2012	Lavy	D32/45
D657,515	S *	4/2012	McGee et al.	D32/45
D657,516	S *	4/2012	McGee et al.	D32/45
D657,518	S *	4/2012	McGee et al.	D32/45
D659,924	S *	5/2012	McGee et al.	D32/45
D660,533	S *	5/2012	Hill et al.	D32/45
D661,036	S *	5/2012	Raven	D32/45
D673,337	S *	12/2012	Chow	D32/45

* cited by examiner

Primary Examiner — Ruth McInroy

(74) *Attorney, Agent, or Firm* — McGarry Bair PC

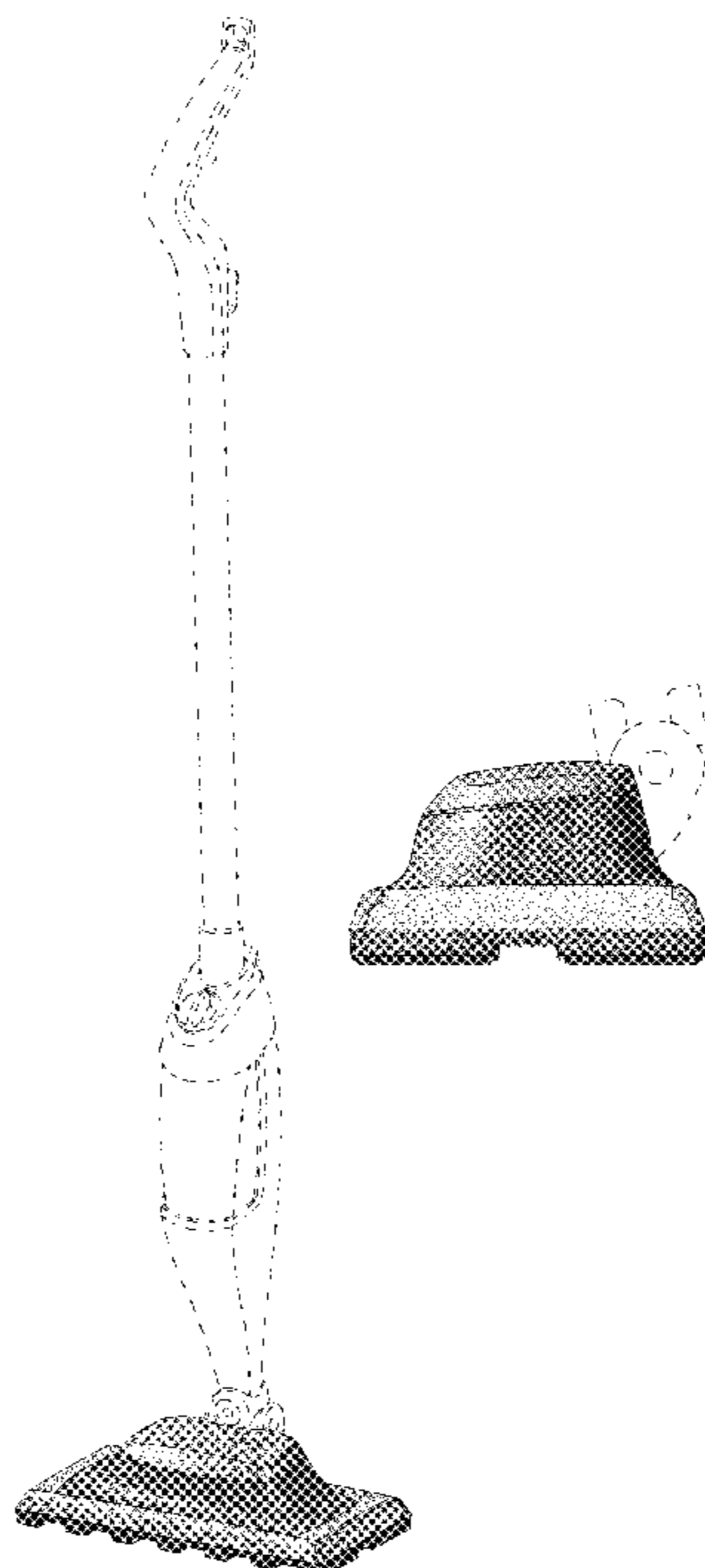
(57) **CLAIM**

The ornamental design for a foot for a steam cleaner, as shown and described.

DESCRIPTION

FIG. 1 is a front perspective view of a foot for a steam cleaner showing our new design;
FIG. 2 is a front view thereof;
FIG. 3 is a rear view thereof;
FIG. 4 is a right side view thereof, the left side being a mirror image; and,
FIG. 5 is a top view thereof.
The bottom view is unornamented. The details shown in broken lines form no part of the claimed design.

1 Claim, 3 Drawing Sheets



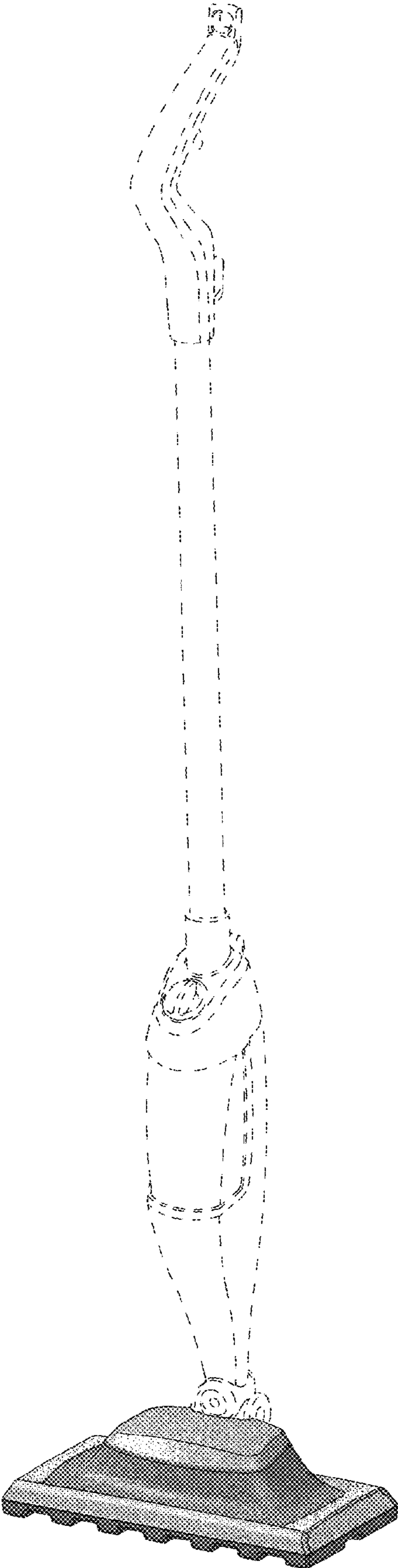


FIG. 1

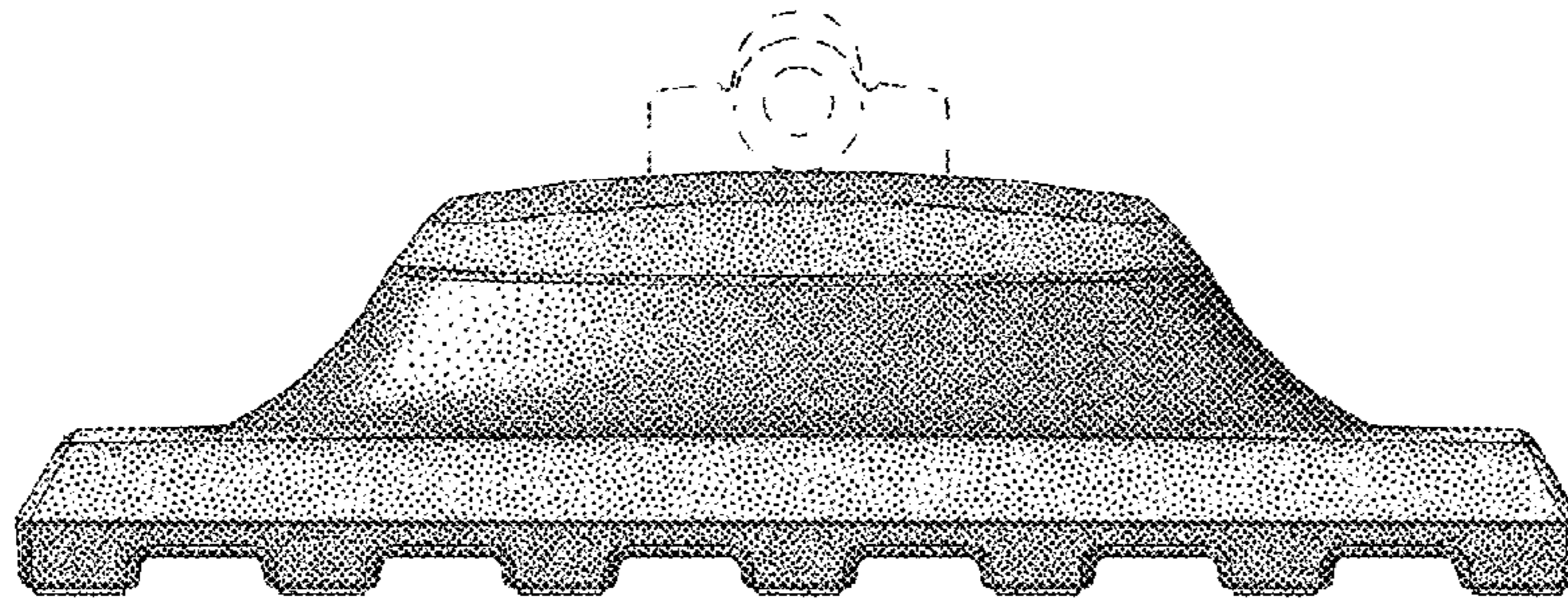


FIG. 2

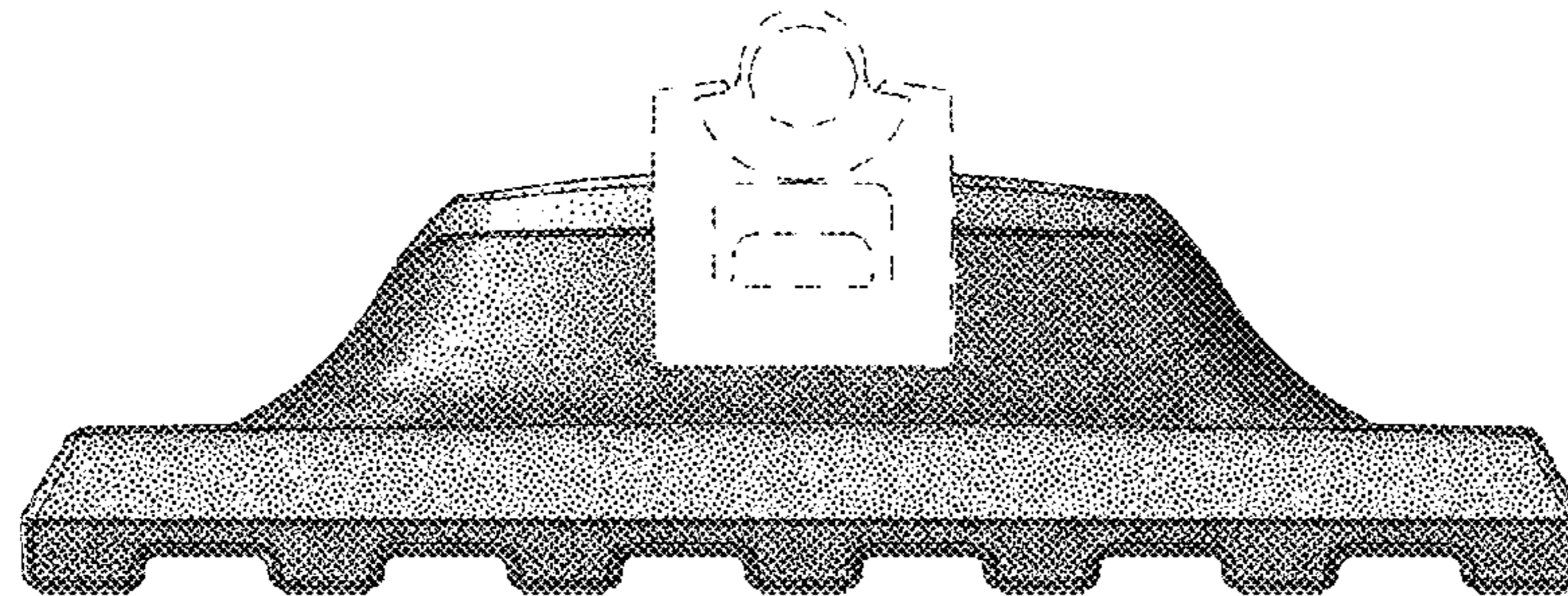


FIG. 3

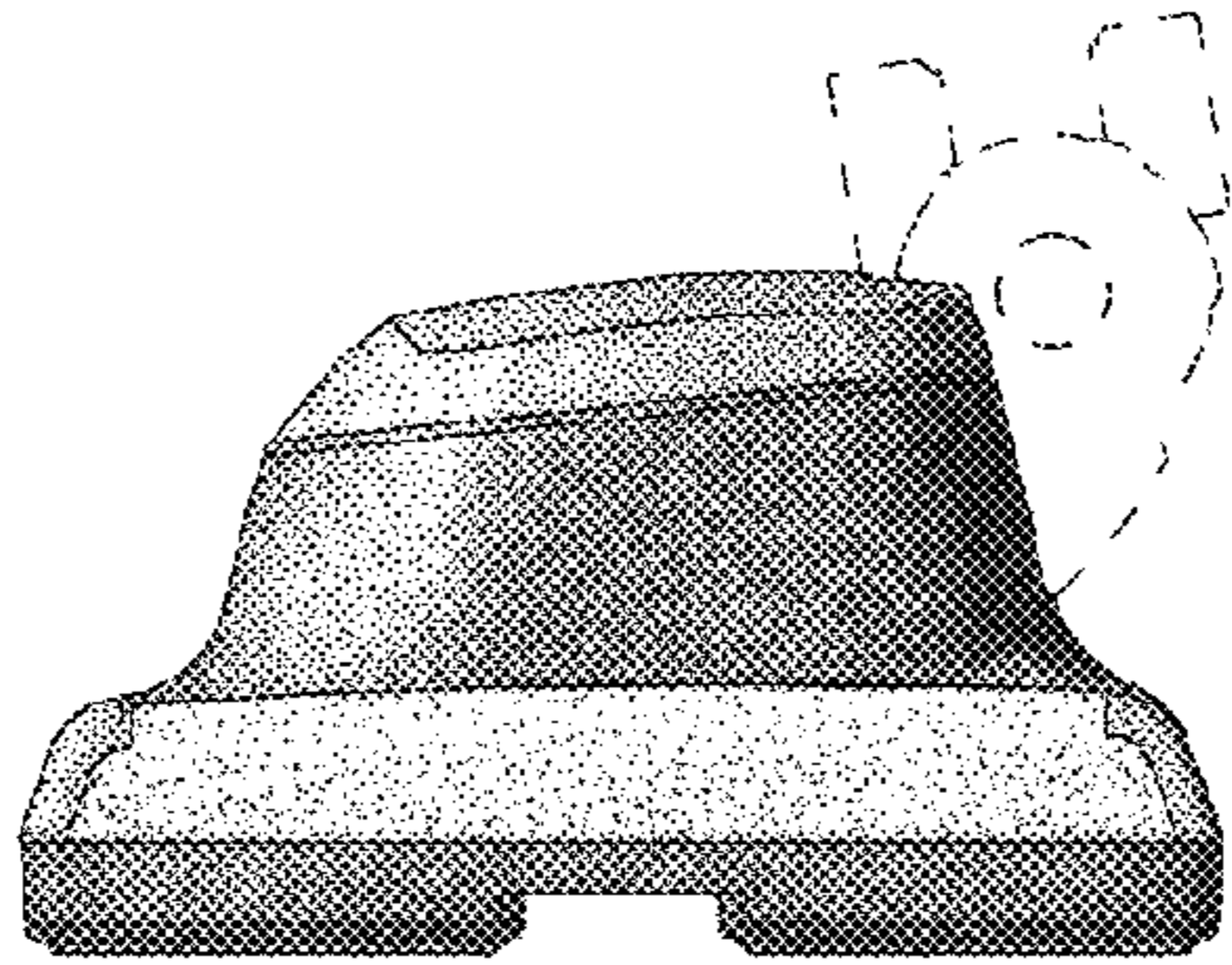


FIG. 4

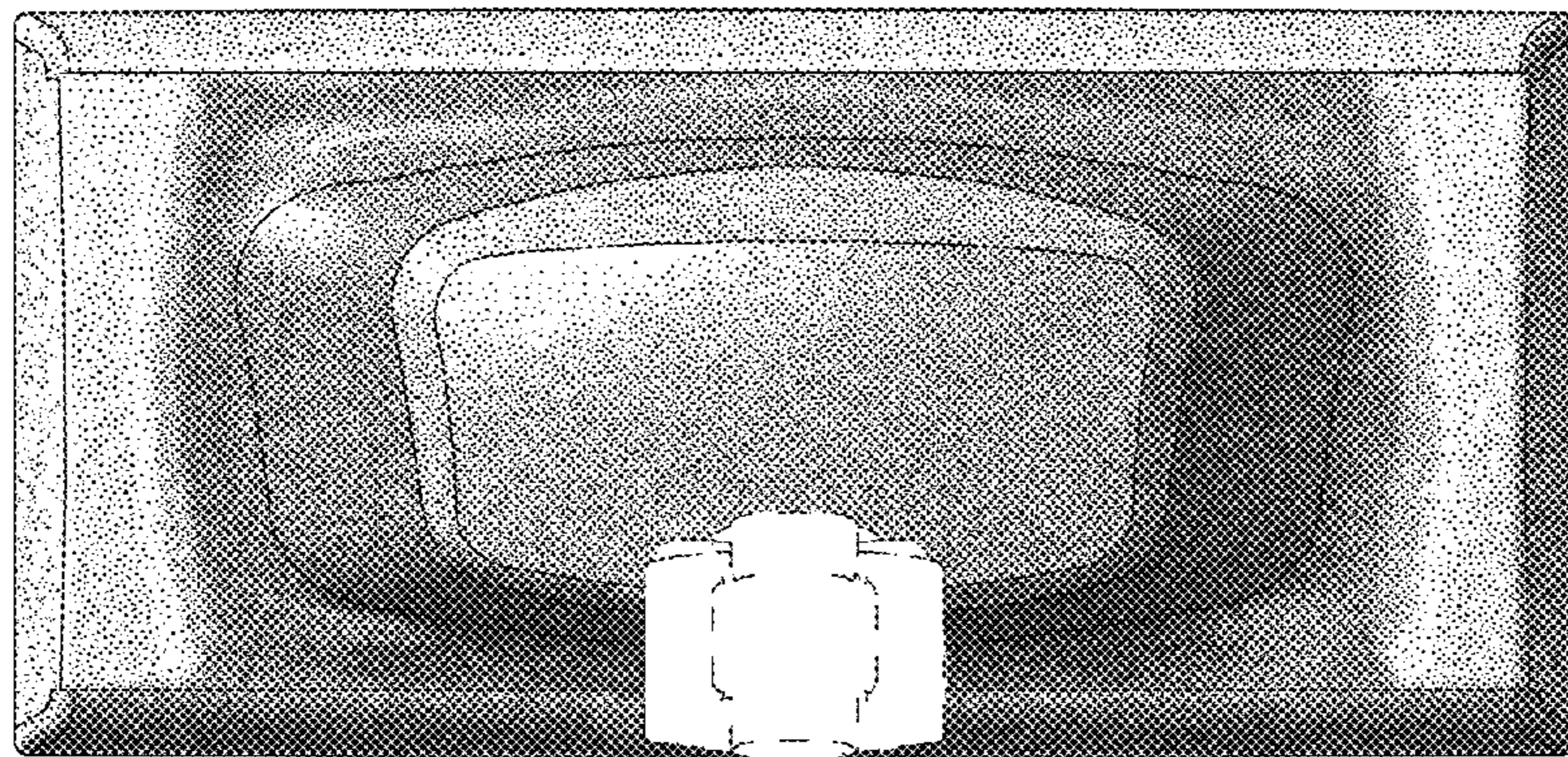


FIG. 5