



US00D688425S

(12) **United States Design Patent**  
**Fernandez**

(10) **Patent No.:** **US D688,425 S**

(45) **Date of Patent:** **\*\* Aug. 20, 2013**

(54) **SINGLE COMPARTMENT PET WASHER**

(75) Inventor: **Juan Fernandez**, Towaco, NJ (US)

(73) Assignee: **Products of Tomorrow, Inc.**, Towaco, NJ (US)

(\*\*) Term: **14 Years**

(21) Appl. No.: **29/369,008**

(22) Filed: **Sep. 1, 2010**

(51) **LOC (9) Cl.** ..... **30-99**

(52) **U.S. Cl.**  
USPC ..... **D30/158; D30/199**

(58) **Field of Classification Search**  
USPC ..... D30/158, 199; 119/600–606, 665, 119/677, 673, 664, 676, 479; 239/315, 310, 239/525–527, 159, 307; D23/223, 213, 225, D23/226, 202; D28/91.1, 7, 77, 5; D27/154; 4/615, 616, 596, 570, 568, 567, 606, 603; 401/42, 270

See application file for complete search history.

(56) **References Cited**

**U.S. PATENT DOCUMENTS**

712,530	A *	11/1902	Herfert	119/603
2,250,878	A *	7/1941	Quaranti	401/28
4,171,169	A *	10/1979	Williams	401/41
D261,300	S *	10/1981	Klose	D23/223
D269,540	S *	6/1983	Larsson	D23/223
4,799,460	A *	1/1989	Kuhl	15/344
D307,067	S *	4/1990	Kuhl et al.	D30/158
4,958,596	A *	9/1990	Belan	119/603
D327,115	S *	6/1992	Rogers	D23/223
D327,729	S *	7/1992	Rogers	D23/223
D349,557	S *	8/1994	Huen	D23/223
D349,947	S *	8/1994	Hing-Wah	D23/223
D363,972	S *	11/1995	Huen	D23/223
D374,272	S *	10/1996	Fleischmann	D23/213
D375,588	S *	11/1996	Bzoch	D30/158
D381,737	S *	7/1997	Chan	D23/223

5,649,502	A *	7/1997	Frank	119/665
D385,332	S *	10/1997	Andrus	D23/223
D385,947	S *	11/1997	Dow et al.	D23/223
D389,558	S *	1/1998	Andrus	D23/223
D389,618	S *	1/1998	Rosen	D32/33
D420,426	S *	2/2000	Bosio	D23/223
D428,110	S *	7/2000	Haug et al.	D23/223
D444,925	S *	7/2001	Monette	D30/158
D445,871	S *	7/2001	Fan	D23/223
D451,980	S *	12/2001	Lindholm et al.	D23/223
D455,817	S *	4/2002	Huang	D23/223
6,367,421	B1 *	4/2002	Deacon	119/603
D457,598	S *	5/2002	Storti et al.	D23/223
D465,261	S *	11/2002	Chen	D23/223
D465,548	S *	11/2002	Tse	D23/223
D466,185	S *	11/2002	Tse	D23/223
D470,219	S *	2/2003	Schweitzer	D23/223
D475,435	S *	6/2003	Chen	D23/223

(Continued)

**OTHER PUBLICATIONS**

Sky Mall, Pet Products, Pet Jet Washer, Smarthome 6219, <http://www.skymall.com/shopping>, Jan. 6, 2011, original date of sale unknown.

*Primary Examiner* — Susan Moon Lee

(74) *Attorney, Agent, or Firm* — Gearhart Law, LLC

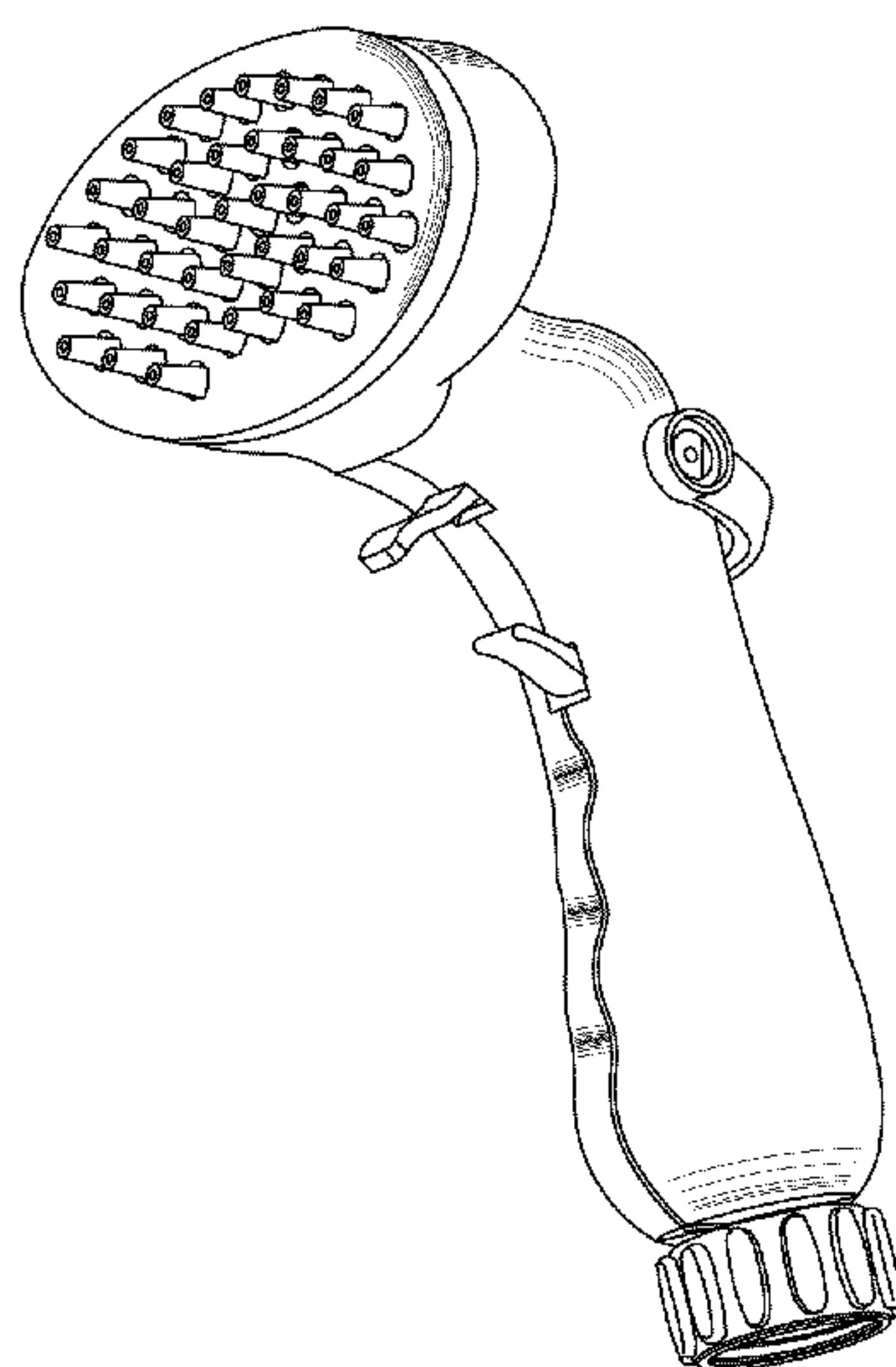
(57) **CLAIM**

The ornamental design for a single compartment pet washer, as shown and described.

**DESCRIPTION**

FIG. 1 is a front perspective view of a single compartment pet washer showing our new design; FIG. 2 is a front view thereof; FIG. 3 is a rear view thereof; FIG. 4 is a side view thereof; FIG. 5 is a top view thereof; and, FIG. 6 is a bottom view thereof.

**1 Claim, 5 Drawing Sheets**



(56)

References Cited

U.S. PATENT DOCUMENTS

D503,775 S *	4/2005	Zieger .....	D23/223	D578,607 S *	10/2008	Wu et al. ....	D23/223
D503,776 S *	4/2005	Lin .....	D23/223	D587,340 S *	2/2009	Parsons et al. ....	D23/223
D507,819 S *	7/2005	Wu .....	D23/223	7,509,925 B2 *	3/2009	Embry .....	119/603
D509,280 S *	9/2005	Bailey et al. ....	D23/223	D596,811 S *	7/2009	Day et al. ....	D30/158
D509,563 S *	9/2005	Bailey et al. ....	D23/223	D603,935 S *	11/2009	Leber .....	D23/223
6,948,451 B2 *	9/2005	Bond et al. ....	119/665	D603,936 S *	11/2009	Hoernig et al. ....	D23/223
D510,610 S *	10/2005	Bailey et al. ....	D23/223	D604,391 S *	11/2009	Christianson .....	D23/223
D522,612 S *	6/2006	Eilmus et al. ....	D23/223	7,625,268 B2 *	12/2009	Durjan et al. ....	452/103
D524,409 S *	7/2006	Hoernig .....	D23/223	D615,613 S *	5/2010	Corbett .....	D23/223
D524,908 S *	7/2006	Hoernig .....	D23/223	D617,417 S *	6/2010	Lin .....	D23/223
D527,072 S *	8/2006	Wu .....	D23/223	D617,418 S *	6/2010	Lin .....	D23/223
D529,574 S *	10/2006	Chih .....	D23/223	D619,209 S *	7/2010	Jian et al. ....	D23/223
7,124,712 B2 *	10/2006	Berman et al. ....	119/628	D626,287 S *	10/2010	Simon et al. ....	D28/18
D533,919 S *	12/2006	Tse .....	D23/223	D631,133 S *	1/2011	Yoo et al. ....	D23/223
D534,239 S *	12/2006	Dingler et al. ....	D23/223	8,006,647 B2 *	8/2011	Raber .....	119/603
D544,573 S *	6/2007	Dingler et al. ....	D23/223	8,028,935 B2 *	10/2011	Leber .....	239/436
7,225,758 B1 *	6/2007	Galloway .....	119/603	D655,383 S *	3/2012	Flowers et al. ....	D23/223
7,234,419 B2 *	6/2007	Hutchinson et al. ....	119/603	D659,797 S *	5/2012	Farley .....	D23/223
D546,918 S *	7/2007	Hoernig .....	D23/223	2003/0024485 A1 *	2/2003	Freidell .....	119/665
D550,811 S *	9/2007	Lammel .....	D23/223	2005/0217601 A1 *	10/2005	Judge .....	119/665
D559,947 S *	1/2008	Tse .....	D23/223	2007/0022528 A1 *	2/2007	Gilbert .....	4/615
D565,699 S *	4/2008	Berberet .....	D23/223	2007/0144451 A1 *	6/2007	Hurwitz .....	119/603
D565,700 S *	4/2008	Chen .....	D23/223	2009/0007330 A1 *	1/2009	Genord et al. ....	4/695
D575,373 S *	8/2008	Giggs et al. ....	D23/223	2010/0307426 A1 *	12/2010	Bertsch .....	119/601
				2011/0297101 A1 *	12/2011	Fernandez .....	119/603

\* cited by examiner

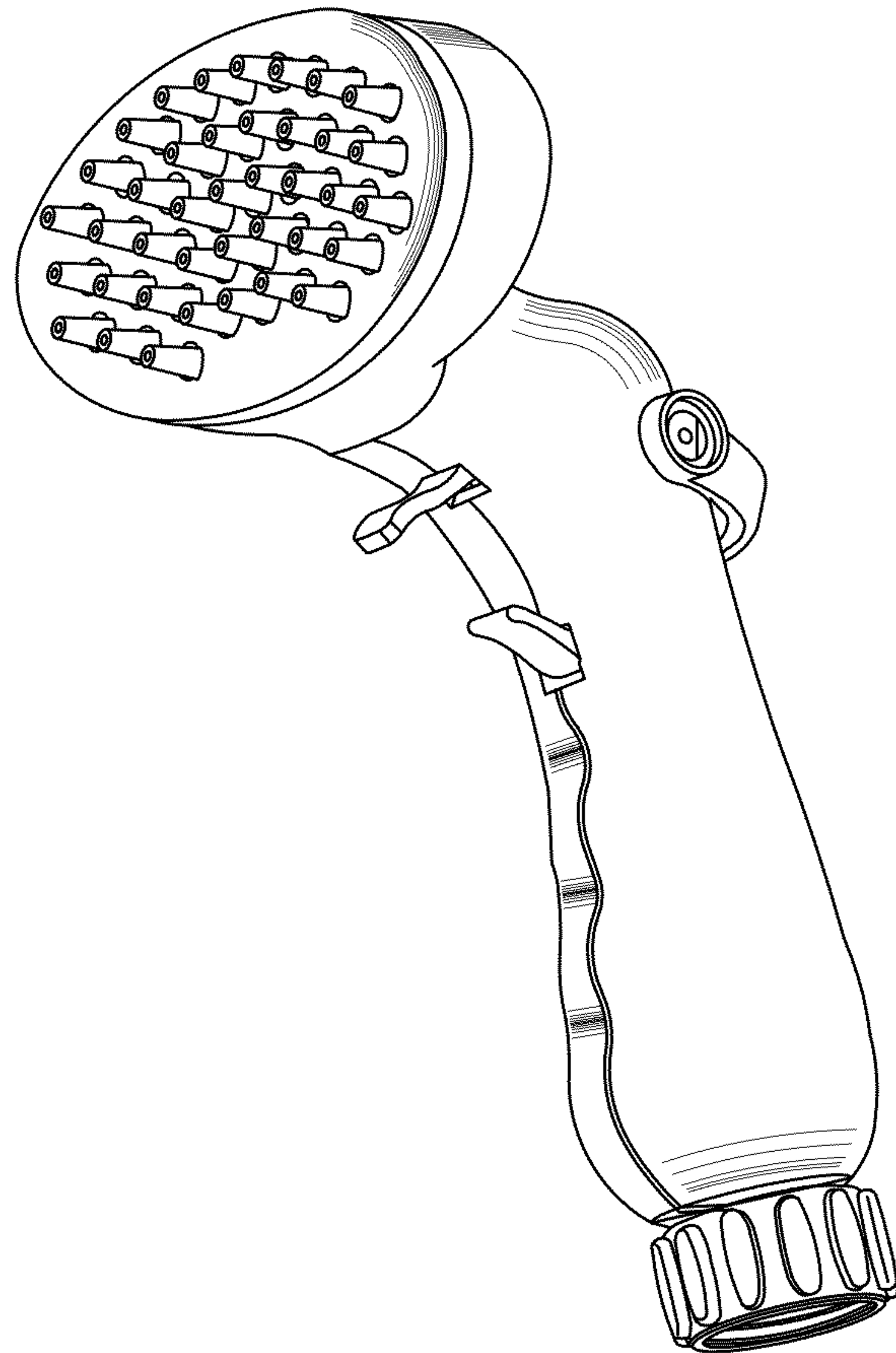
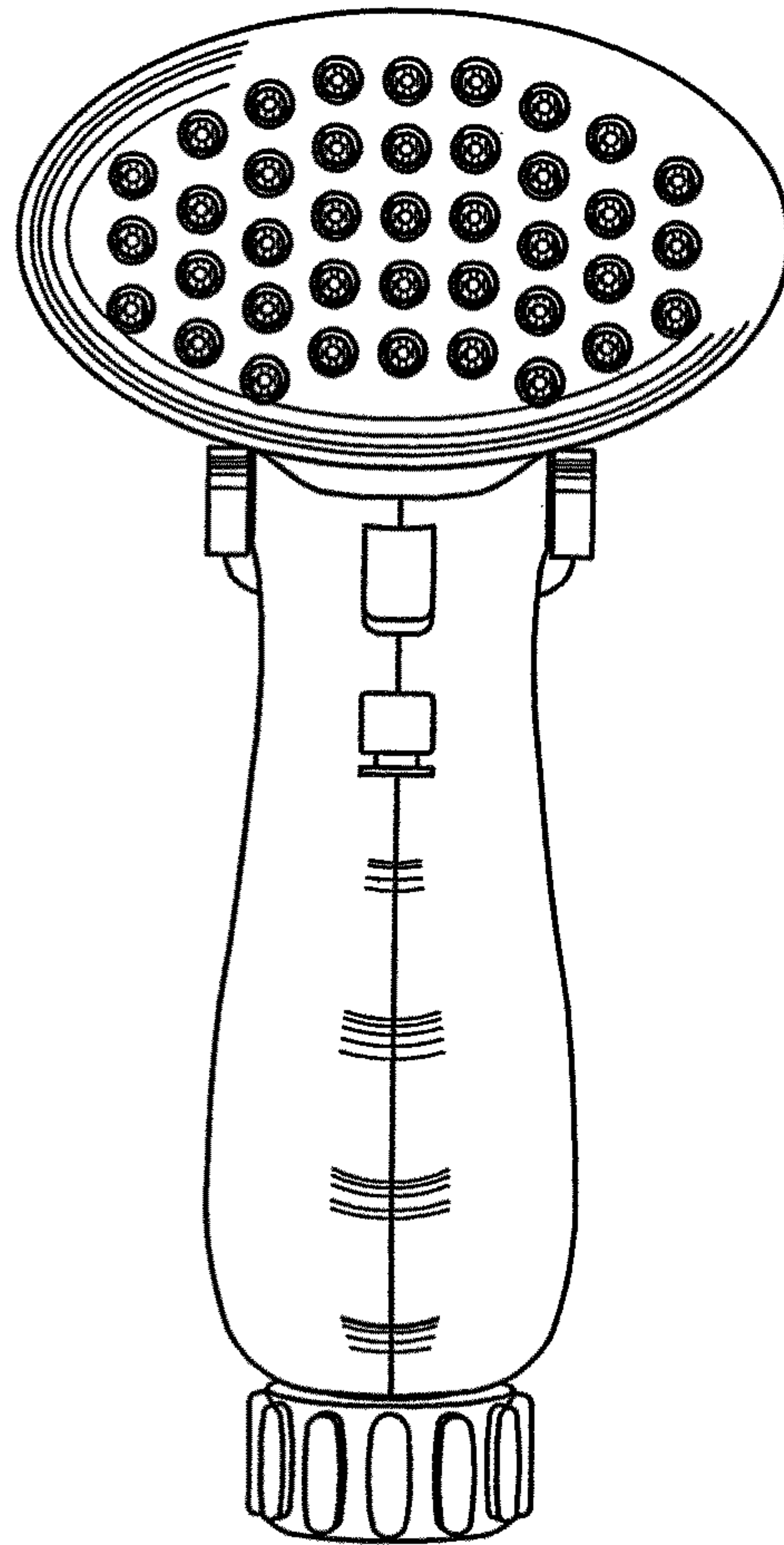
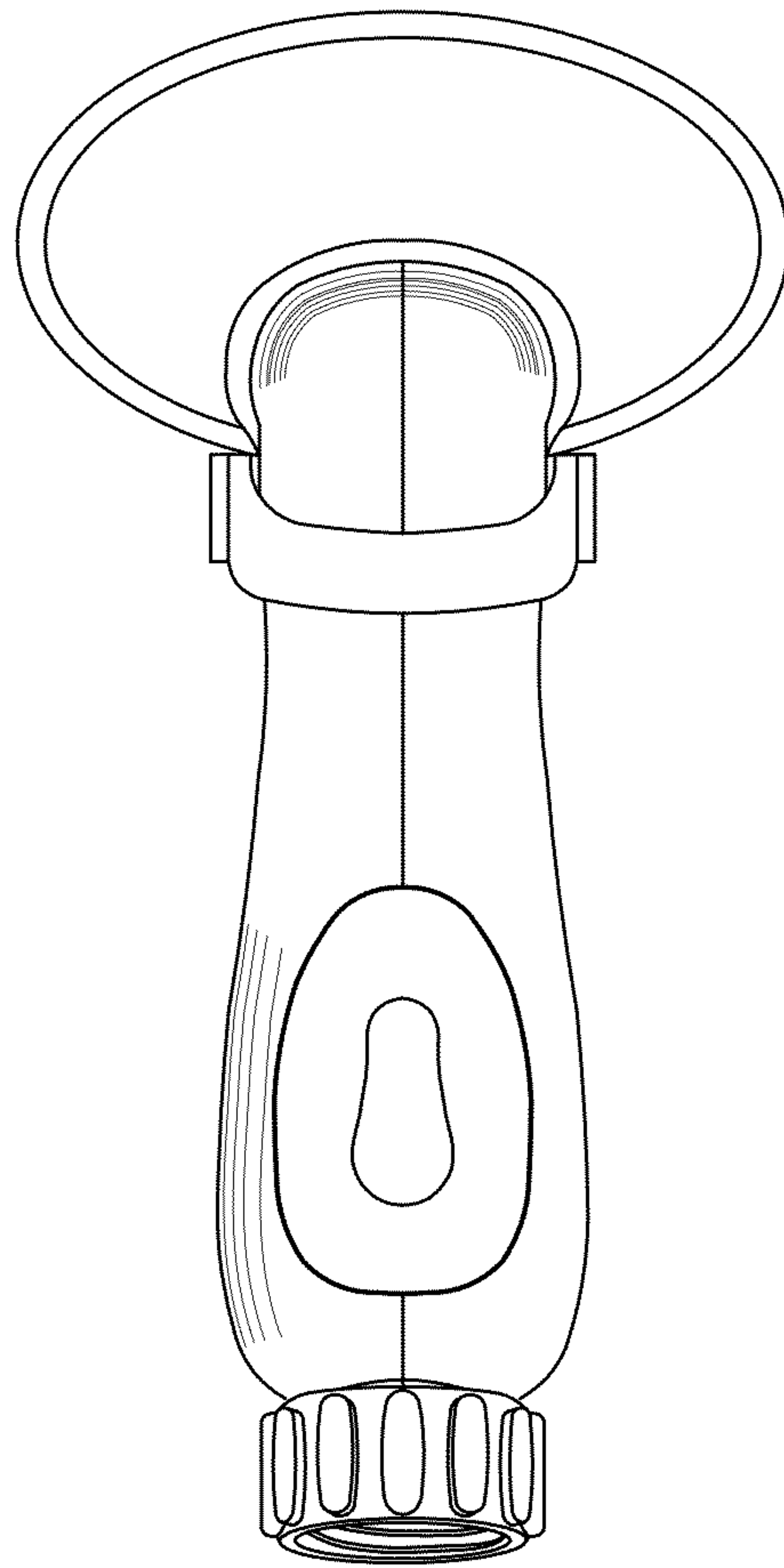


FIG. 1



*FIG. 2*





*FIG. 3*

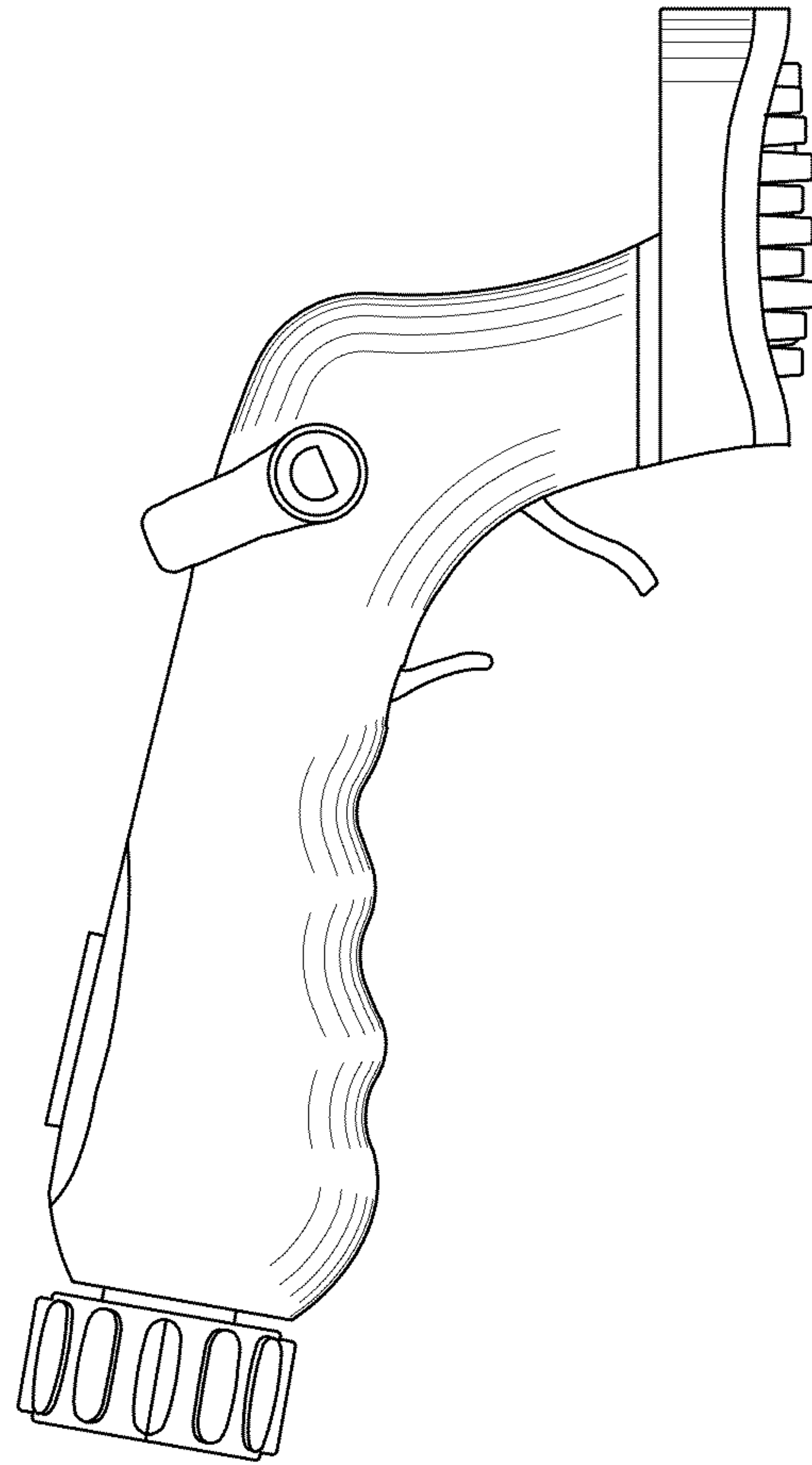
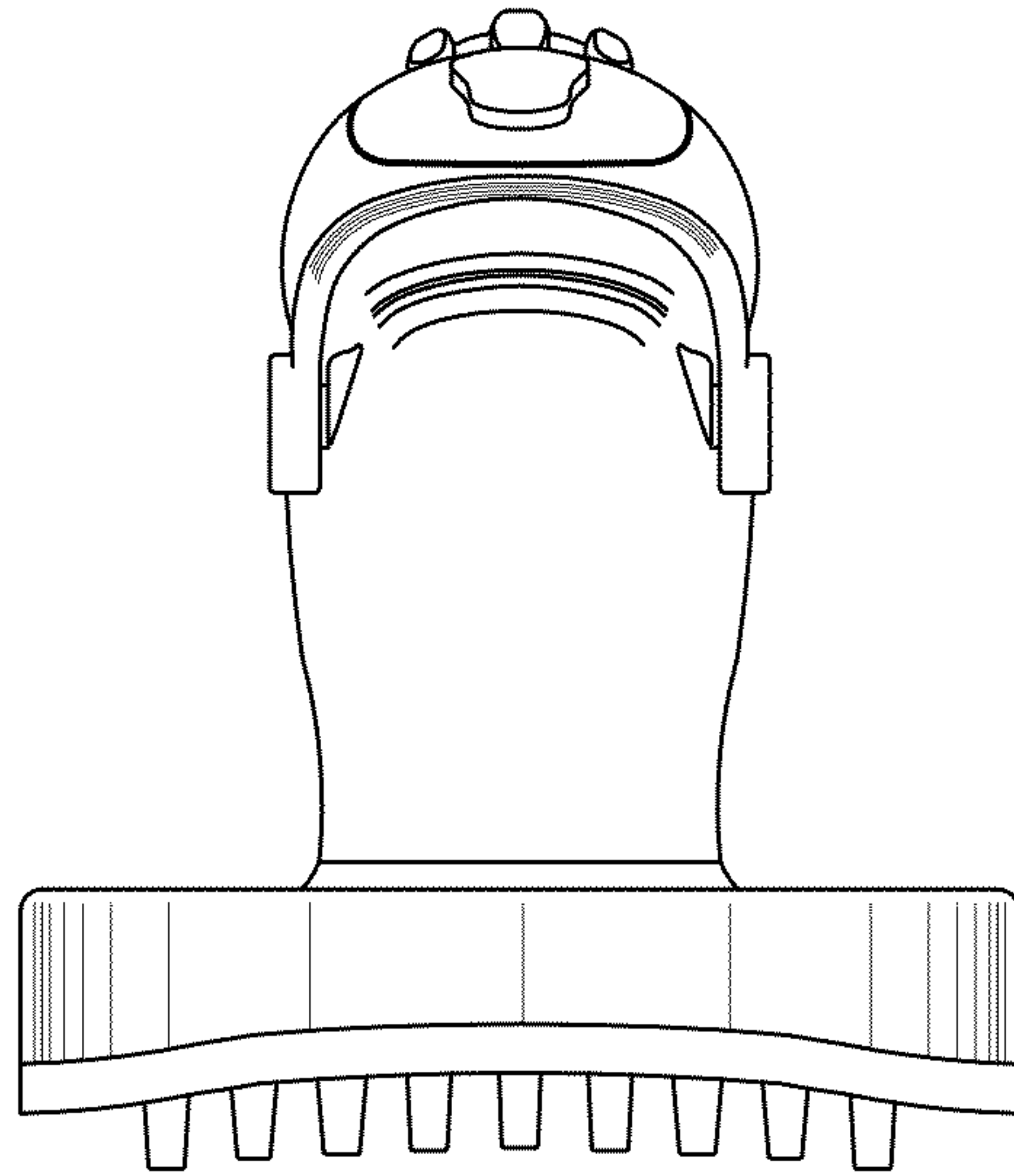
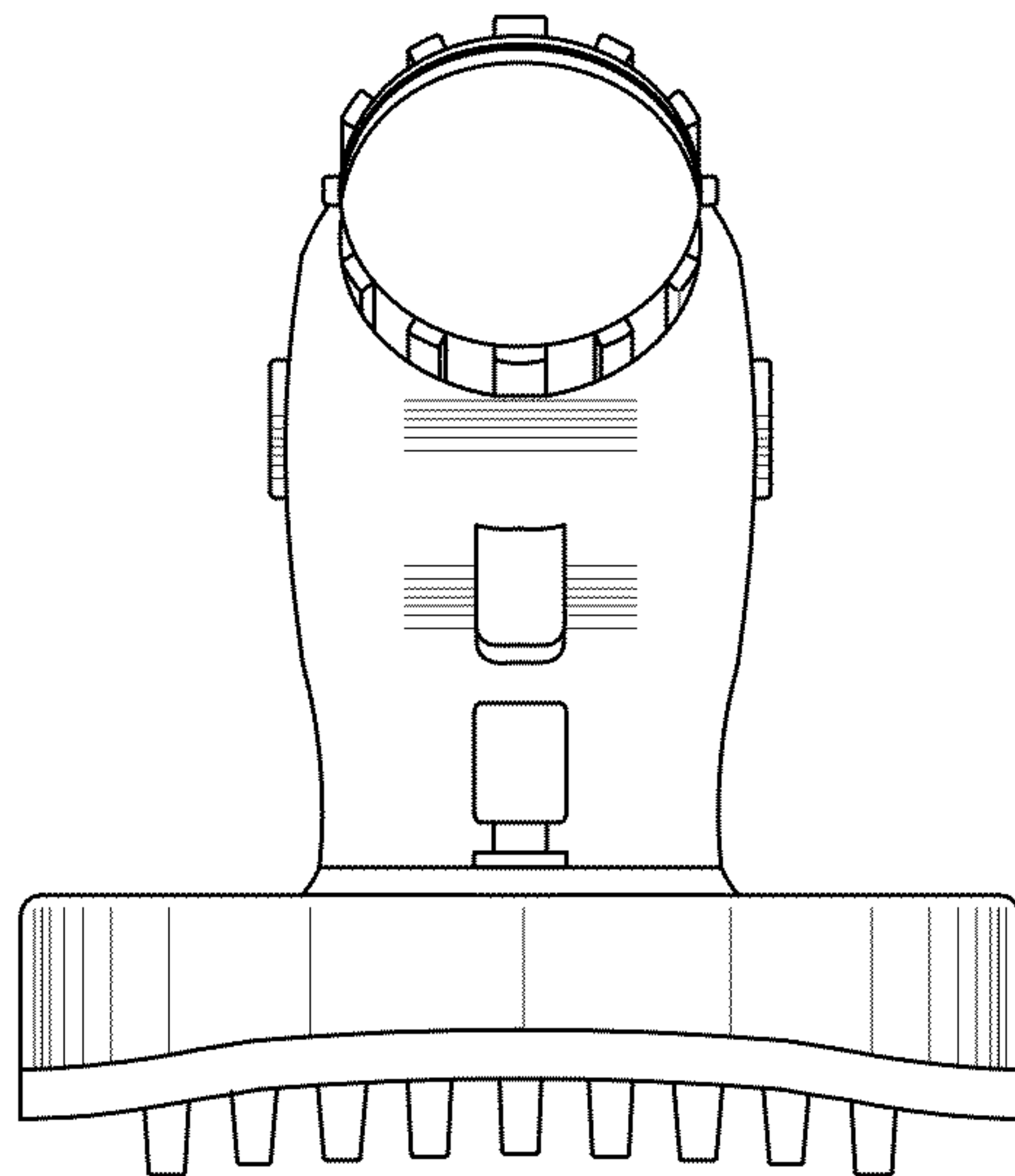


FIG. 4



*FIG. 5*



*FIG. 6*