



US00D688422S

(12) **United States Design Patent**
Berghoff et al.

(10) **Patent No.:** **US D688,422 S**

(45) **Date of Patent:** **** Aug. 20, 2013**

(54) **PET COSTUME**

(75) Inventors: **Jeremy Berghoff**, Chaska, MN (US);
Elyse Sikora, Minneapolis, MN (US)

(73) Assignee: **Target Brands, Inc.**, Minneapolis, MN
(US)

(**) Term: **14 Years**

(21) Appl. No.: **29/430,415**

(22) Filed: **Aug. 24, 2012**

(51) **LOC (9) Cl.** **30-01**

(52) **U.S. Cl.**

USPC **D30/145**

(58) **Field of Classification Search**

USPC D30/145, 144, 151-154; 119/678,
119/850, 673, 702, 712, 792-798, 758, 760,
119/769, 770, 784, 815, 818, 856, 863, 864,
119/905, 907, 802, 857, 865, 725, 771; 52/3;
54/79.4, 79.1, 80.1, 79.2; D3/271.2, 217,
D3/327; 150/154; 36/111; 604/293; 602/79,
602/61

See application file for complete search history.

(56) **References Cited**

U.S. PATENT DOCUMENTS

1,437,255	A *	11/1922	Mallinson	54/79.2
1,612,945	A *	1/1927	Rieck	54/79.2
D142,815	S *	11/1945	Ardmore	D30/145
2,850,860	A *	9/1958	Torell et al.	54/79.2
D188,338	S *	7/1960	Gajda	D30/145
3,248,852	A *	5/1966	Schwartz	54/79.1
3,792,687	A *	2/1974	Ehrman	119/868
4,355,600	A *	10/1982	Zielinski	119/850
4,385,592	A *	5/1983	Goldstein	602/18
D313,676	S *	1/1991	Indursky et al.	D30/145
D361,174	S *	8/1995	Karlen	D30/145
D363,572	S *	10/1995	Obenchain	D30/145
D372,563	S *	8/1996	Waugh, Jr.	D30/145
D373,228	S *	8/1996	Brown	D30/145

D374,315	S *	10/1996	Caditz	D30/145
5,632,235	A *	5/1997	Larsen et al.	119/856
D379,687	S *	6/1997	Curtis	D30/145
D383,255	S *	9/1997	Caditz	D30/145
5,662,640	A *	9/1997	Daniels	604/392
D403,132	S *	12/1998	Campbell-Henderson	D30/145
D404,852	S *	1/1999	Powell-Lesnack	D30/145

(Continued)

OTHER PUBLICATIONS

“Caveman Pterodactyl Pet Rider,” www.amazon.com/dp/B003ILGQJ2/ref=asc_df_B003ILGQJ2214131...om92707-20&creative=394997&creativeASIN=B003ILGQJ2&linkCode=asn, available at least as early as Dec. 29, 2011 (3 pages).

(Continued)

Primary Examiner — Susan Moon Lee

(74) *Attorney, Agent, or Firm* — Griffiths & Seaton PLLC;
JoAnn M. Seaton

(57) **CLAIM**

The ornamental design for a pet costume, as shown and described.

DESCRIPTION

FIG. 1 is a front, perspective view of a pet costume showing our new design;

FIG. 2 is a front view thereof;

FIG. 3 is a rear view thereof;

FIG. 4 is a right side view thereof;

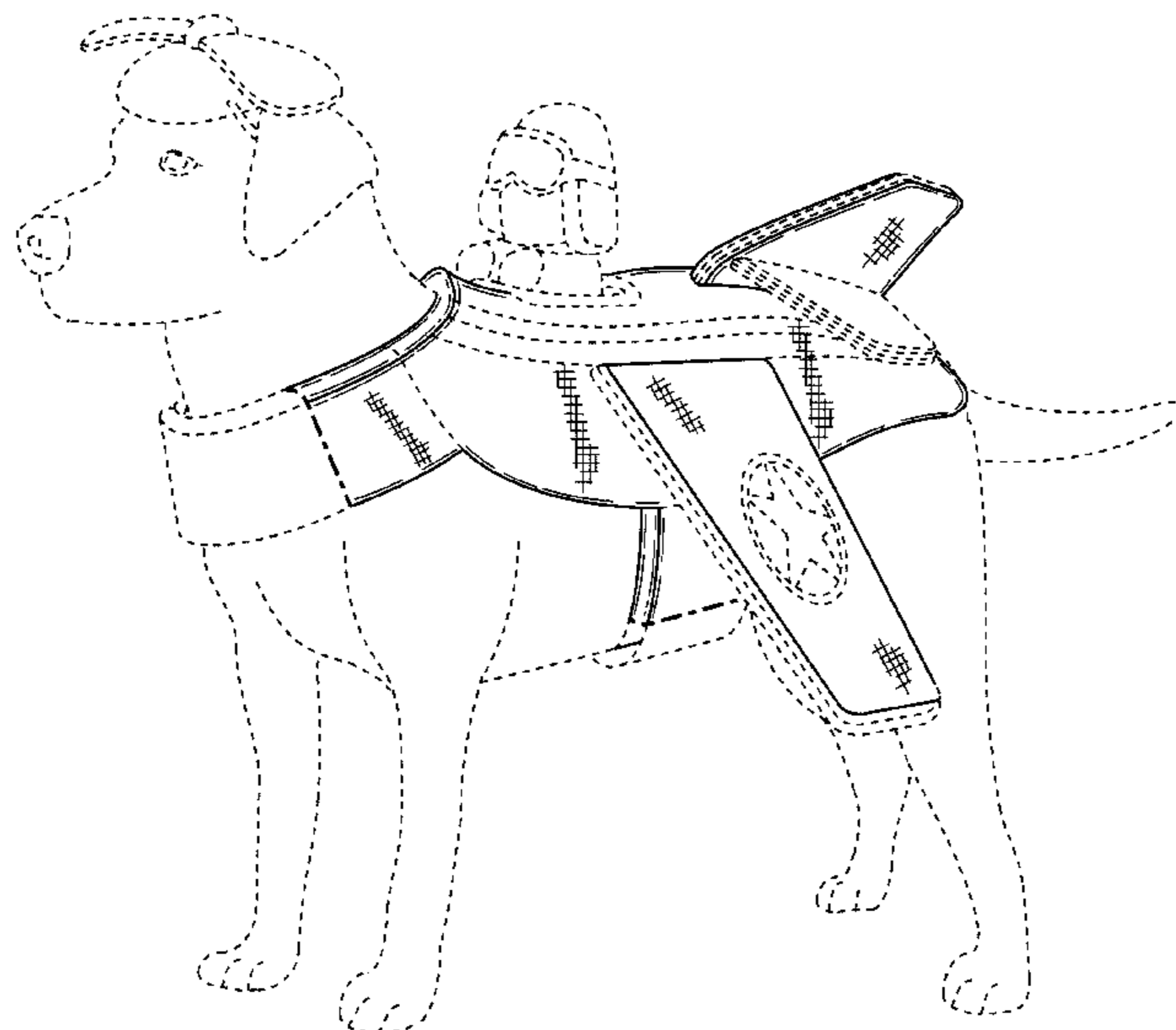
FIG. 5 is a left side view thereof; and,

FIG. 6 is a top view thereof.

Broken lines and unshaded portions contained within broken lines are not claimed.

The bolded dot-dash lines are implemented as boundary lines to indicate the border between the extent of unclaimed surface and the start of claimed surface. None of the bottom surfaces of the pet costume are intended to be claimed, and therefore, the bottom view has been omitted from this application.

1 Claim, 5 Drawing Sheets



(56)

References Cited

U.S. PATENT DOCUMENTS

D413,186 S * 8/1999 Brown D30/145
 5,941,199 A * 8/1999 Tamura 119/850
 5,996,537 A * 12/1999 Caditz 119/850
 D427,734 S * 7/2000 Balzarini D30/145
 6,119,635 A * 9/2000 Powell-Lesnick 119/850
 D441,924 S * 5/2001 Mann D30/145
 6,267,083 B1 * 7/2001 Chimienti 119/850
 D453,594 S * 2/2002 Ishihara D30/152
 D457,276 S * 5/2002 Lidis D30/145
 D457,988 S * 5/2002 Kerrigan D30/145
 D459,842 S * 7/2002 Kaplan D30/145
 6,443,101 B1 * 9/2002 Fazio 119/792
 6,477,988 B2 * 11/2002 Burnett 119/850
 D470,275 S * 2/2003 Lidis D30/145
 6,539,898 B2 * 4/2003 Gatto 119/850
 D479,896 S * 9/2003 Wilson D30/145
 D481,835 S * 11/2003 Williams D30/145
 6,662,754 B1 * 12/2003 Wilson 119/850
 D486,275 S * 2/2004 Grubb D30/145
 6,694,924 B2 * 2/2004 Clark 119/850
 6,694,925 B2 * 2/2004 Critzer 119/850
 D511,868 S * 11/2005 Cherrett D30/145
 D526,452 S * 8/2006 Crain D30/145
 RE39,564 E * 4/2007 Brezinski 119/850
 D561,410 S * 2/2008 Katz D30/145
 7,458,339 B1 * 12/2008 Peirano 119/815
 D584,862 S * 1/2009 Kemper D30/145
 D591,460 S * 4/2009 deCarvalho D30/145
 D606,712 S * 12/2009 Speed D30/145
 D613,001 S * 3/2010 OBrien D30/145
 D634,488 S * 3/2011 Cohen D30/145
 7,918,192 B1 * 4/2011 Digh et al. 119/850
 D637,363 S * 5/2011 Clement D30/145
 8,015,948 B2 * 9/2011 Hall 119/850
 D651,364 S * 12/2011 Luckenbach D30/145
 D653,410 S * 1/2012 Morton D30/152
 D654,637 S * 2/2012 Jansson D30/145
 D656,691 S * 3/2012 Jansson D30/145
 8,291,867 B2 * 10/2012 Blizzard 119/850

D673,738 S * 1/2013 Lanzendorf D30/145
 D679,061 S * 3/2013 Jansson D30/145
 D679,871 S * 4/2013 Peevey D30/145
 2003/0079695 A1 * 5/2003 Kerrigan 119/858
 2003/0221636 A1 * 12/2003 Critzer 119/850
 2005/0072376 A1 * 4/2005 Kerrigan 119/850
 2005/0229869 A1 * 10/2005 Leo 119/850
 2006/0090711 A1 * 5/2006 Richards 119/850
 2006/0169221 A1 * 8/2006 Teague 119/850
 2007/0289557 A1 * 12/2007 Gerdes 119/850
 2007/0289558 A1 * 12/2007 Bonfoey 119/850
 2009/0120377 A1 * 5/2009 Palmer 119/856
 2010/0043725 A1 * 2/2010 Hall 119/850
 2010/0206247 A1 * 8/2010 Cheng et al. 119/850
 2010/0319632 A1 * 12/2010 Blizzard 119/850
 2011/0155077 A1 * 6/2011 Hurwitz 119/850
 2012/0024239 A1 * 2/2012 Forbes 119/850
 2013/0014705 A1 * 1/2013 Cho et al. 119/850
 2013/0042820 A1 * 2/2013 Blizzard 119/850

OTHER PUBLICATIONS

“Ride On Headless Horseman Dog Costume,” <http://www.partycity.com/product/dog+headless+horseman+harness.do>, available at least as early as Dec. 29, 2011 (2 pages).
 “Dog Riders Jockey Dog Harness,” www.costumediscounters.com/pet-costumes-mascots/dog-cos...=1487603957&%22cagpspn=pla%22&gclid=CP-0vtTK77ECFq7QodG2wALQ, available at least as early as Dec. 29, 2011 (3 pages).
 “Dog Riders Mailman Dog Harness,” www.wholesalecostumeclub.com/accessories-and-makeup/pet-...AWELAID=764902445&cagpspn=pla&gclid=CKjXuu3K77ECFQP0nAod6REAJA, available at least as early as Dec. 29, 2011 (2 pages).
 “Monkey Dog Rider Pet,” www.oyacostumes.com/en/Monkey-Dog-Rider-Pet, available at least as early as Dec. 29, 2011 (1 page).
 “Dog Harness Rider Goblin Orc Pet Halloween Costume,” www.buy.com/prod/dog-harness-rider-goblin-orc-pet-halloween-costume/217292231.html available at least as early as Dec. 29, 2011 (2 pages).
 Photograph of Alaskan Hoodie Dog Costume, publicly for sale 1 year prior (1 page), Aug. 2011.

* cited by examiner

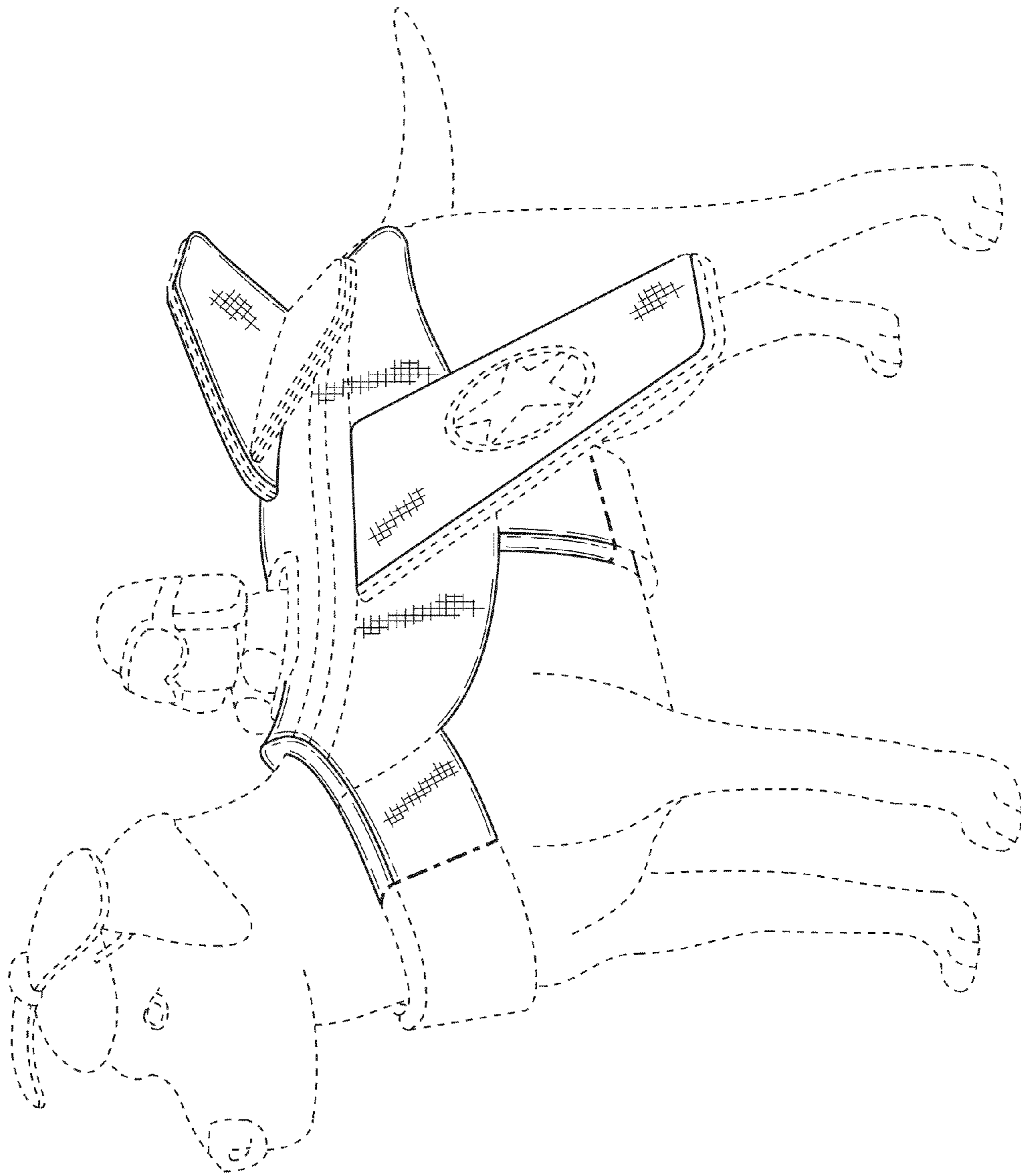


FIG. 1

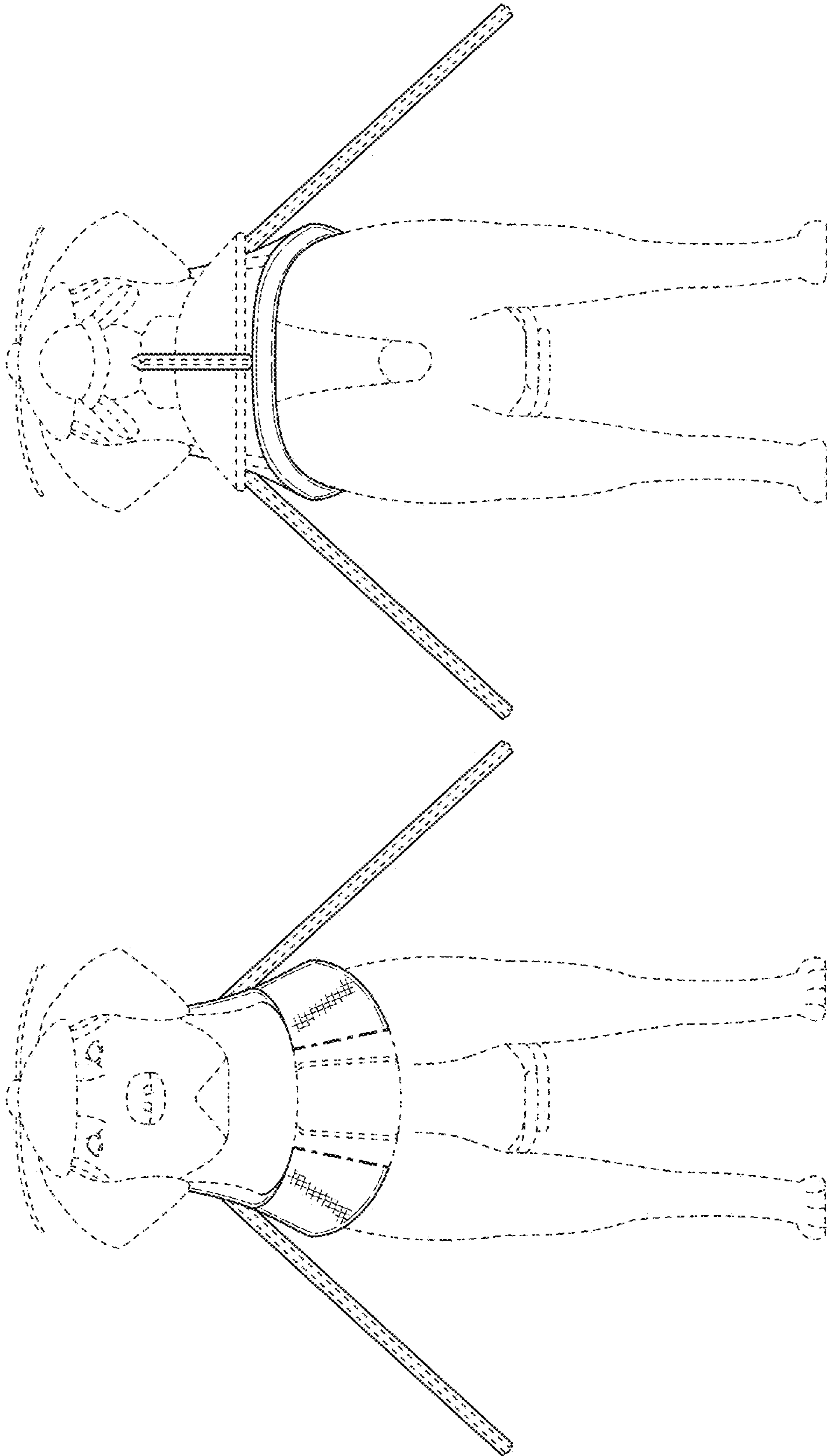


FIG. 3

FIG. 2

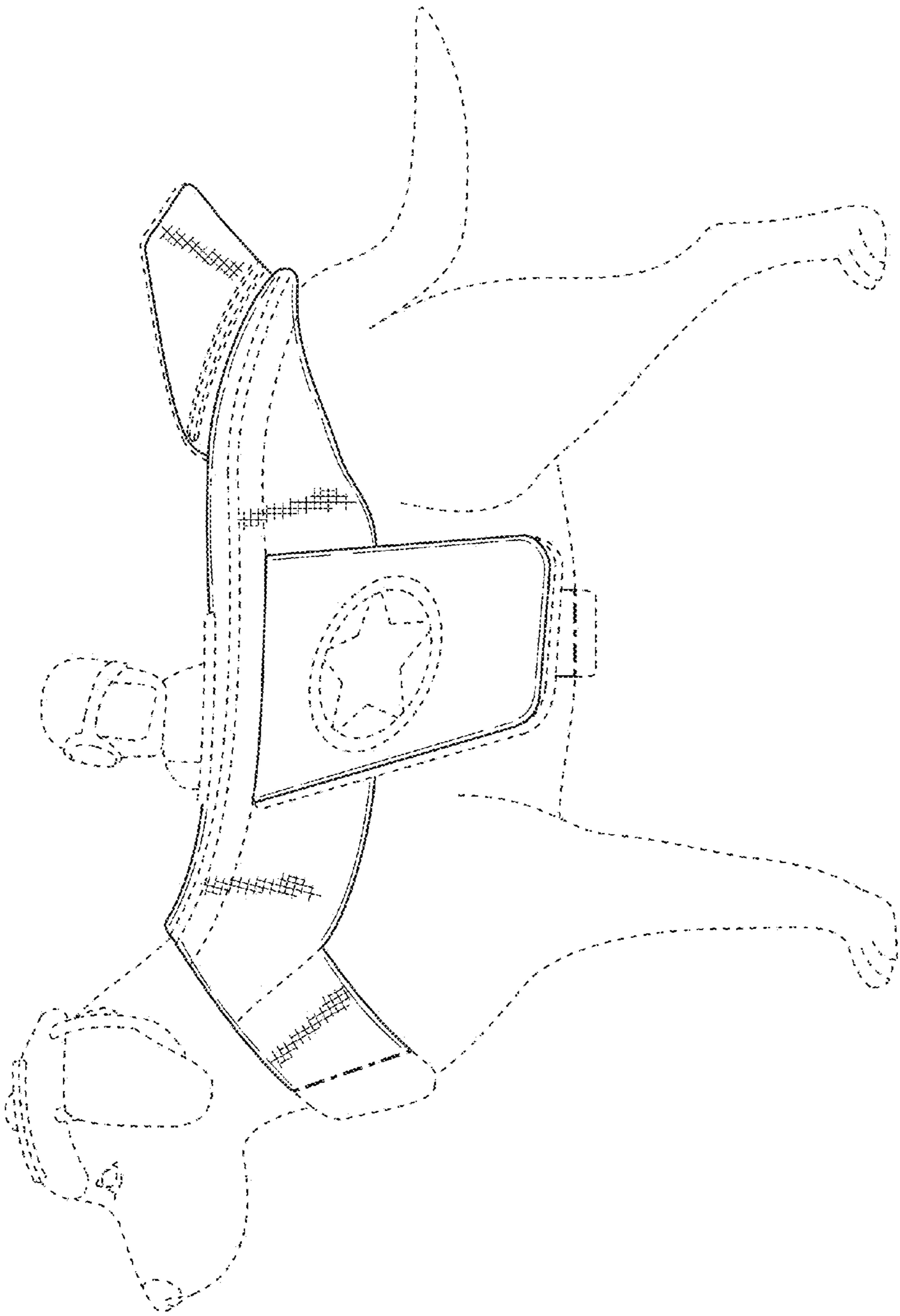


FIG. 4

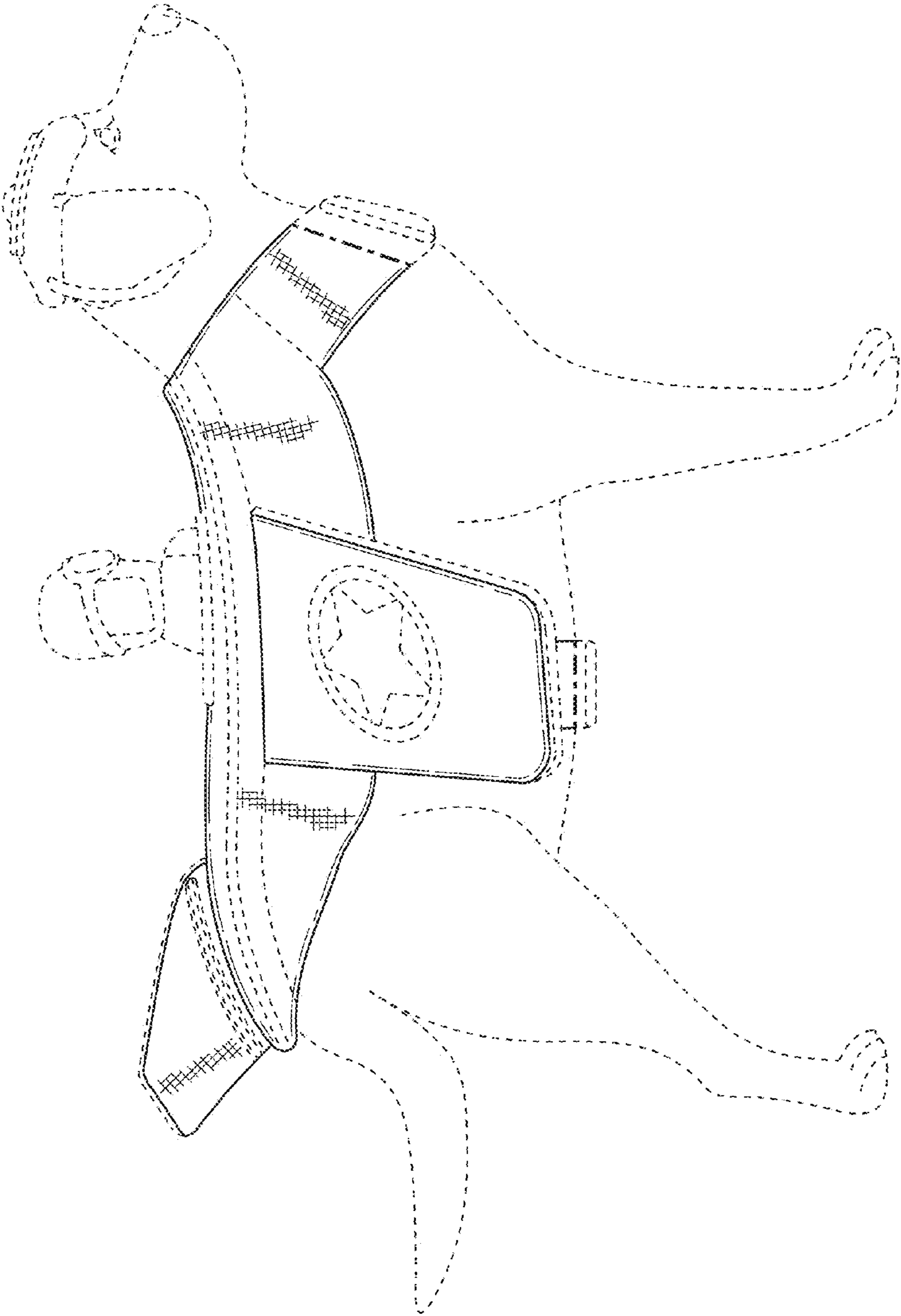


FIG. 5

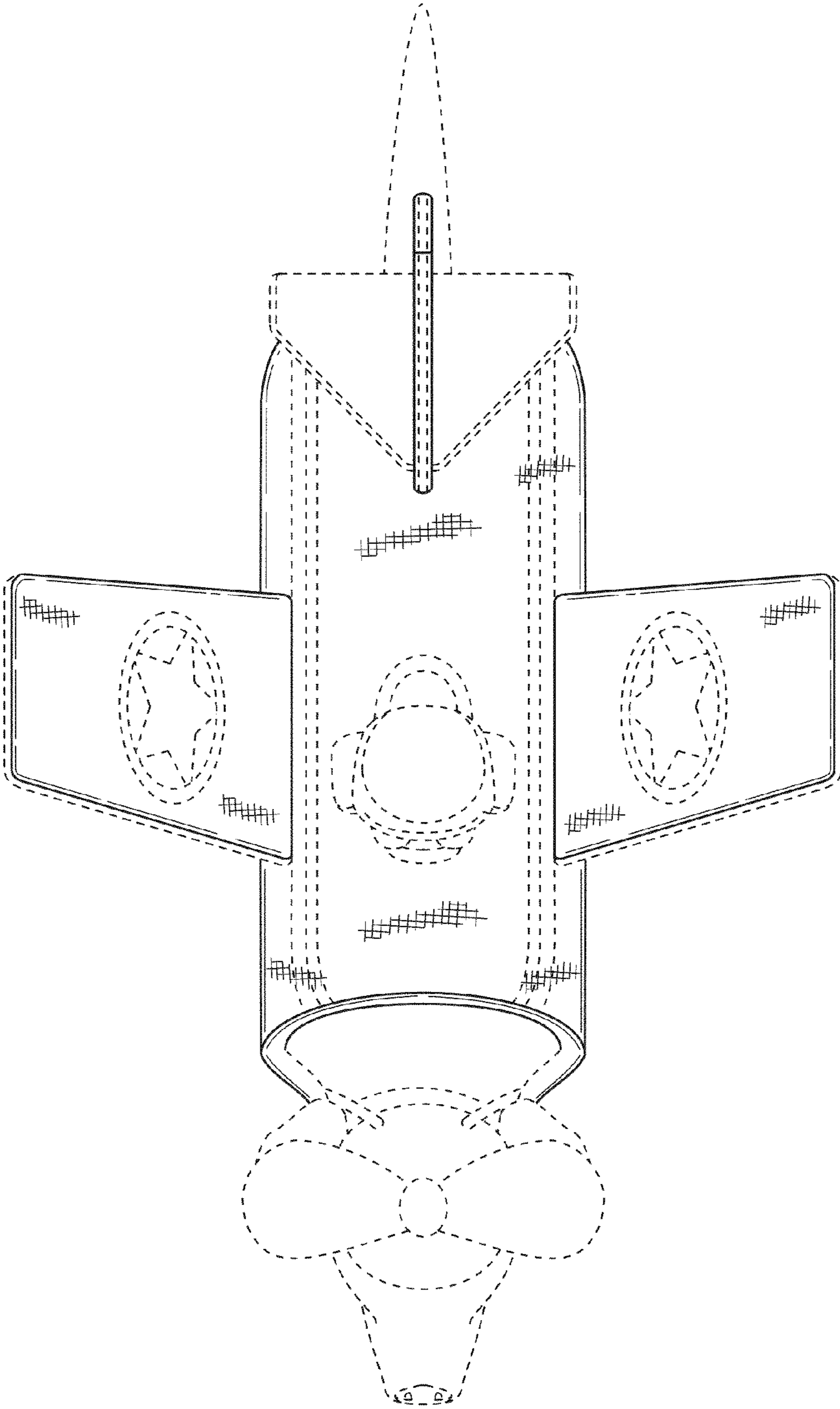


FIG. 6