

US00D688419S

(12) **United States Design Patent**
Takagi

(10) **Patent No.:** **US D688,419 S**
(45) **Date of Patent:** **** Aug. 20, 2013**

(54) **PACKING CONTAINER APPLICATOR**

(75) Inventor: **Yoshimasa Takagi**, Tokyo (JP)

(73) Assignee: **Kao Corporation**, Tokyo (JP)

(**) Term: **14 Years**

(21) Appl. No.: **29/424,240**

(22) Filed: **Jun. 8, 2012**

(30) **Foreign Application Priority Data**

Dec. 9, 2011 (JP) 2011-028623

(51) **LOC (9) Cl.** **28-02**

(52) **U.S. Cl.**
USPC **D28/7**

(58) **Field of Classification Search**
USPC D28/7, 8, 20-22, 30-31, 76, 85,
D28/99; 132/108, 202, 208, 317.32;
401/202-207, 261-267; D4/132-135;
D24/119

See application file for complete search history.

(56) **References Cited**

U.S. PATENT DOCUMENTS

5,337,764 A * 8/1994 McKay 132/116
D370,302 S * 5/1996 Healy D28/7
D399,602 S * 10/1998 Ratnam D28/25
D401,380 S * 11/1998 Steen et al. D28/7
6,112,751 A * 9/2000 Bennett 132/116
D461,280 S * 8/2002 Swaner et al. D28/20
D462,808 S * 9/2002 Swaner et al. D28/7

FOREIGN PATENT DOCUMENTS

JP D986516 8/1997
JP D996553 11/1997
JP D1144930 6/2002

JP D1205440 5/2004
JP D1271142 5/2006
JP D1417219 6/2011

* cited by examiner

Primary Examiner — Zenia Bennett

(74) *Attorney, Agent, or Firm* — Oblon, Spivak,
McClelland, Maier & Neustadt, L.L.P.

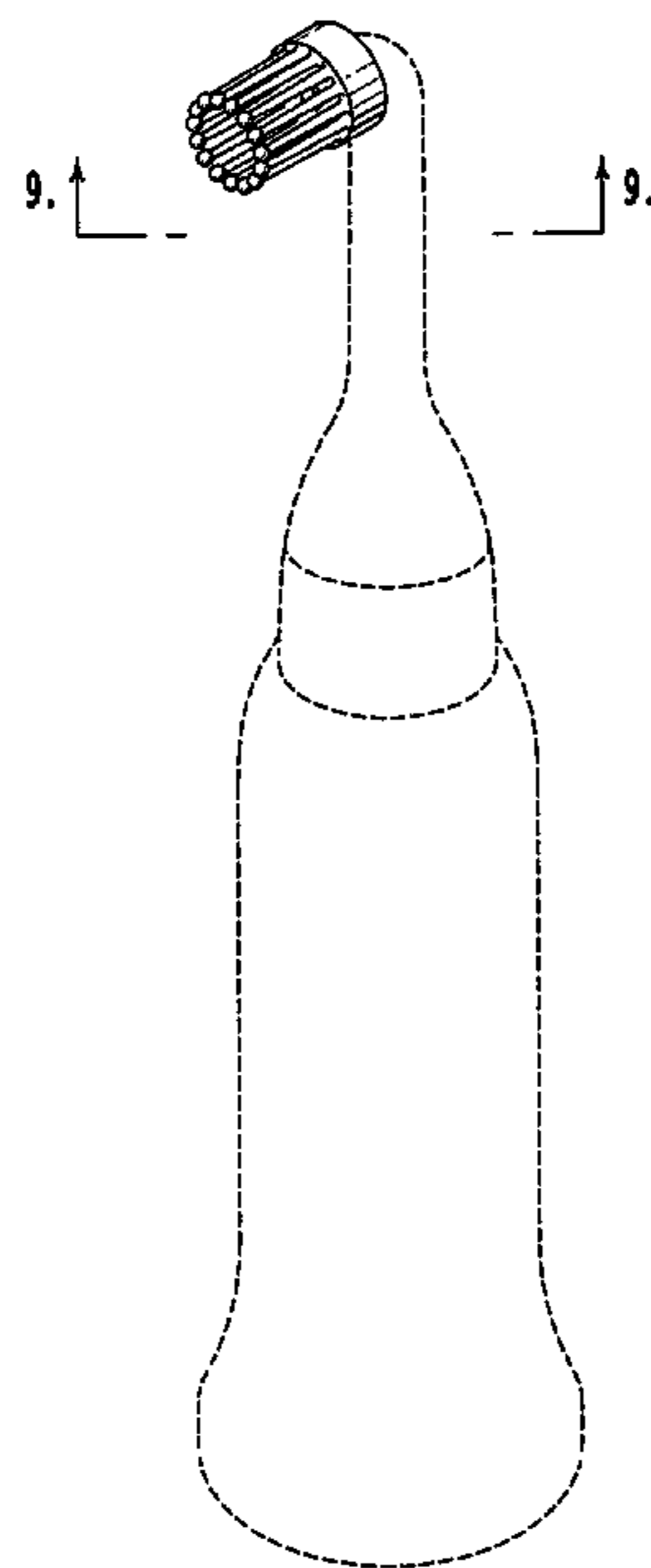
(57) **CLAIM**

The ornamental design for a packing container applicator, as shown and described.

DESCRIPTION

FIG. 1 is a front, top and left perspective view of a new design of a packing container applicator;
FIG. 2 is a front, top and right perspective view thereof;
FIG. 3 is a front view thereof;
FIG. 4 is a rear view thereof;
FIG. 5 is a left side view thereof;
FIG. 6 is a right side view thereof;
FIG. 7 is a plan view thereof;
FIG. 8 is a bottom view thereof;
FIG. 9 is an enlarged view of a portion designated by line 9-9 of FIG. 1;
FIG. 10 is an enlarged view of a portion designated by line 10-10 of FIG. 2;
FIG. 11 is an enlarged view of a portion designated by line 11-11 of FIG. 3;
FIG. 12 is an enlarged view of a portion designated by line 12-12 of FIG. 5;
FIG. 13 is an enlarged plan view of the new design; and,
FIG. 14 is a sectional view taken along line 14-14 of FIG. 12. Any broken line shows a portion which forms no part of the claimed design.

1 Claim, 10 Drawing Sheets



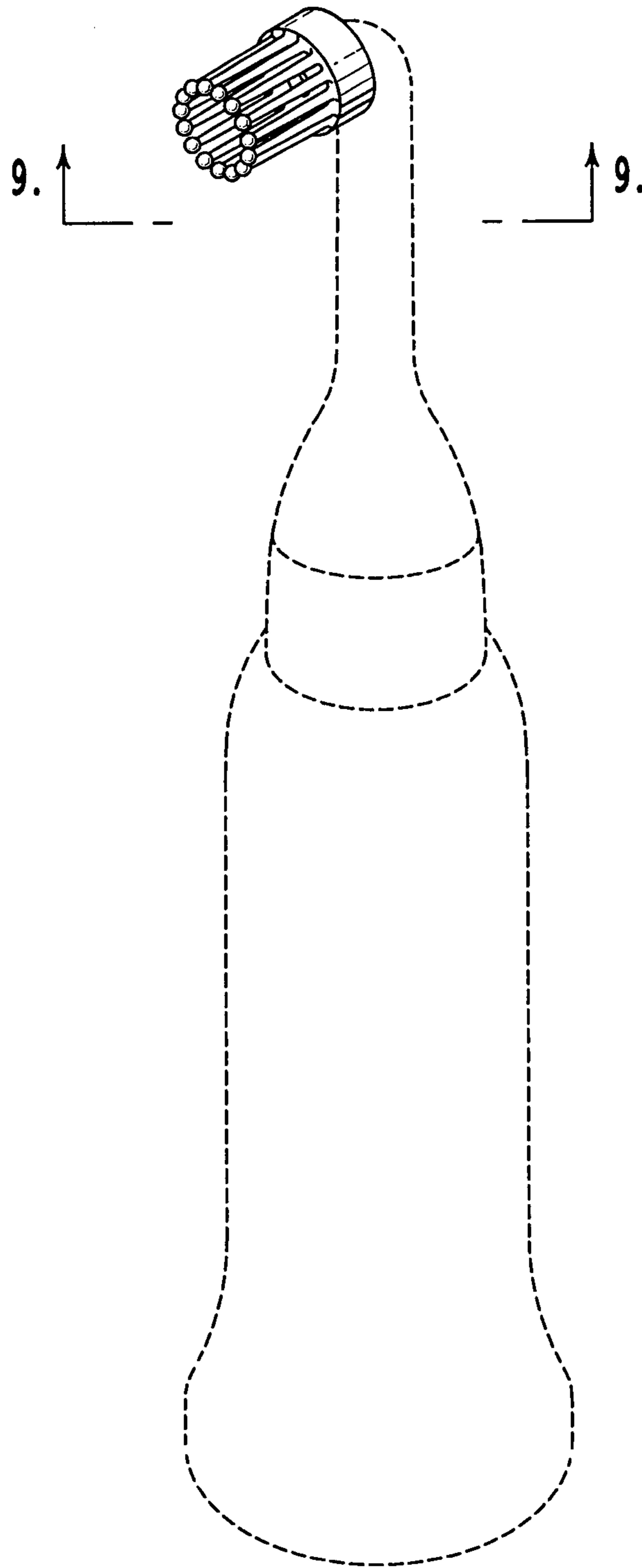


Fig. 1

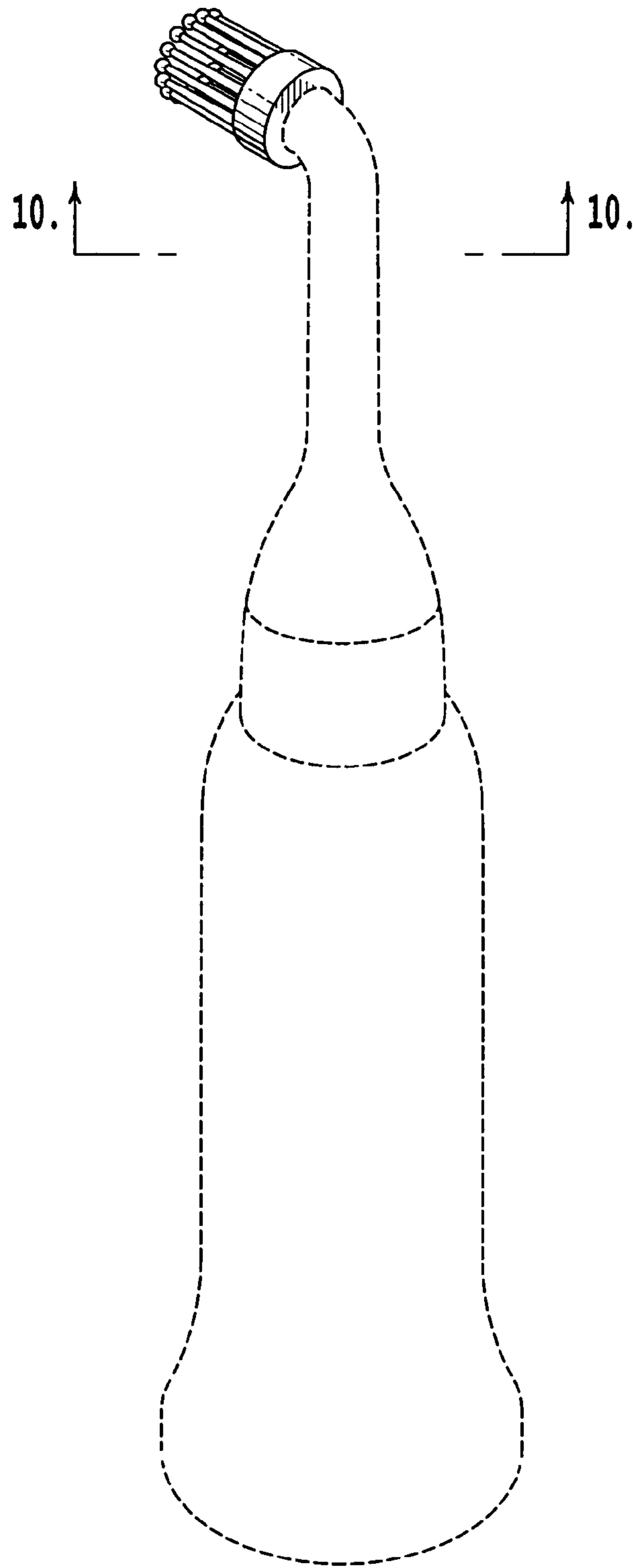


Fig. 2

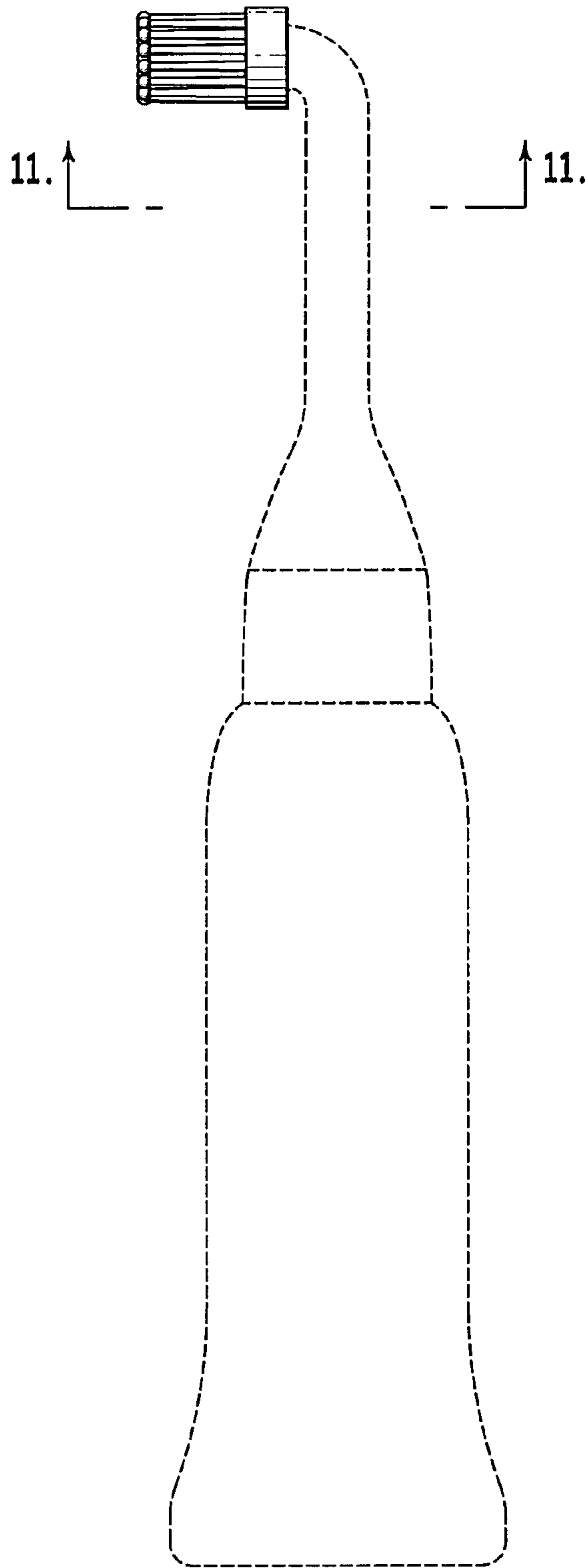


Fig. 3

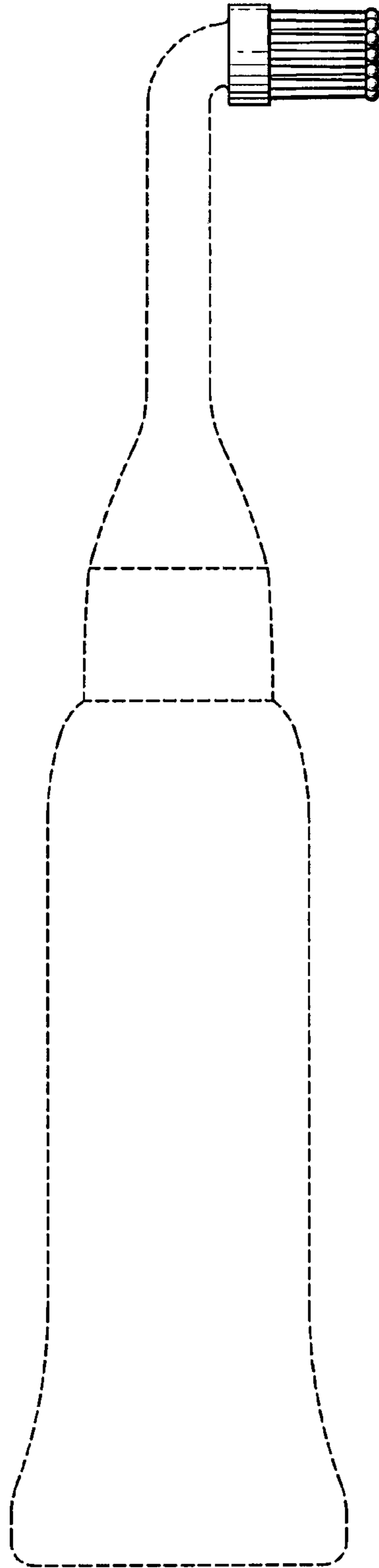


Fig. 4

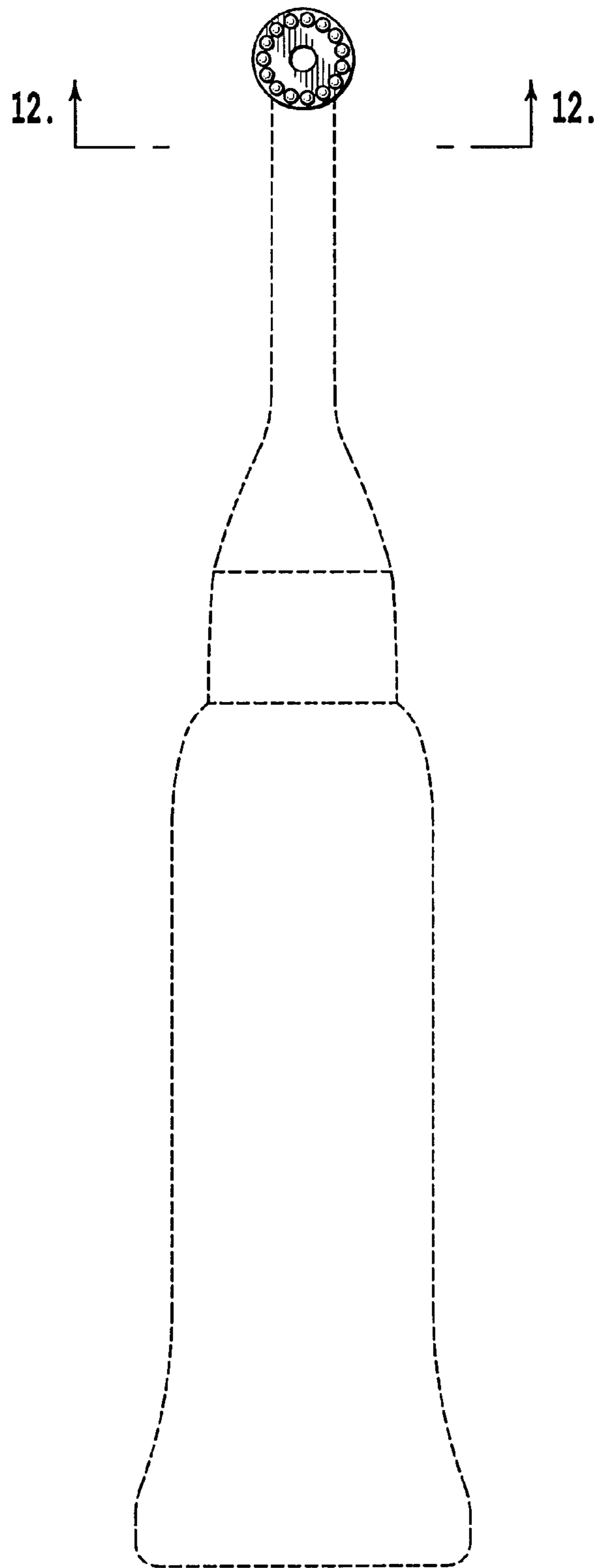


Fig. 5

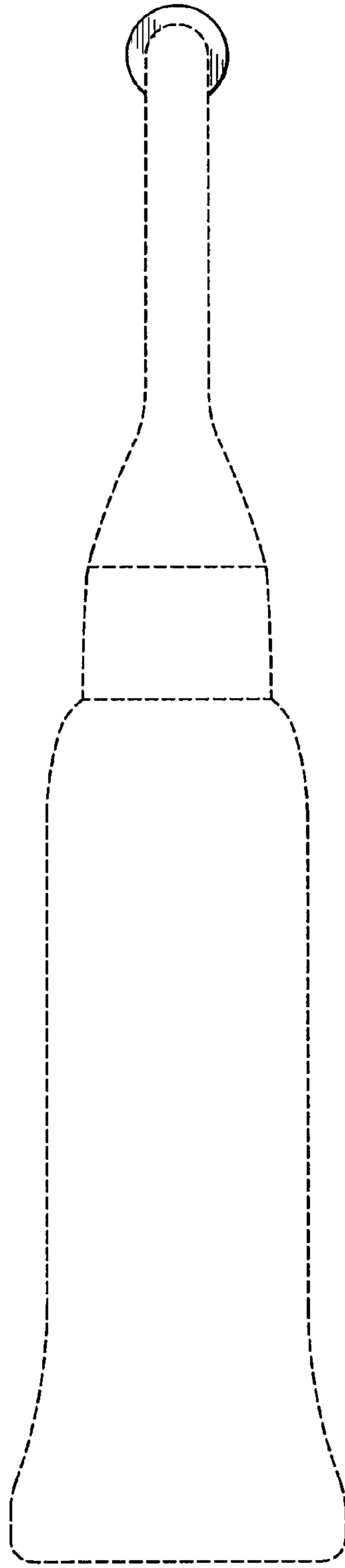


Fig. 6

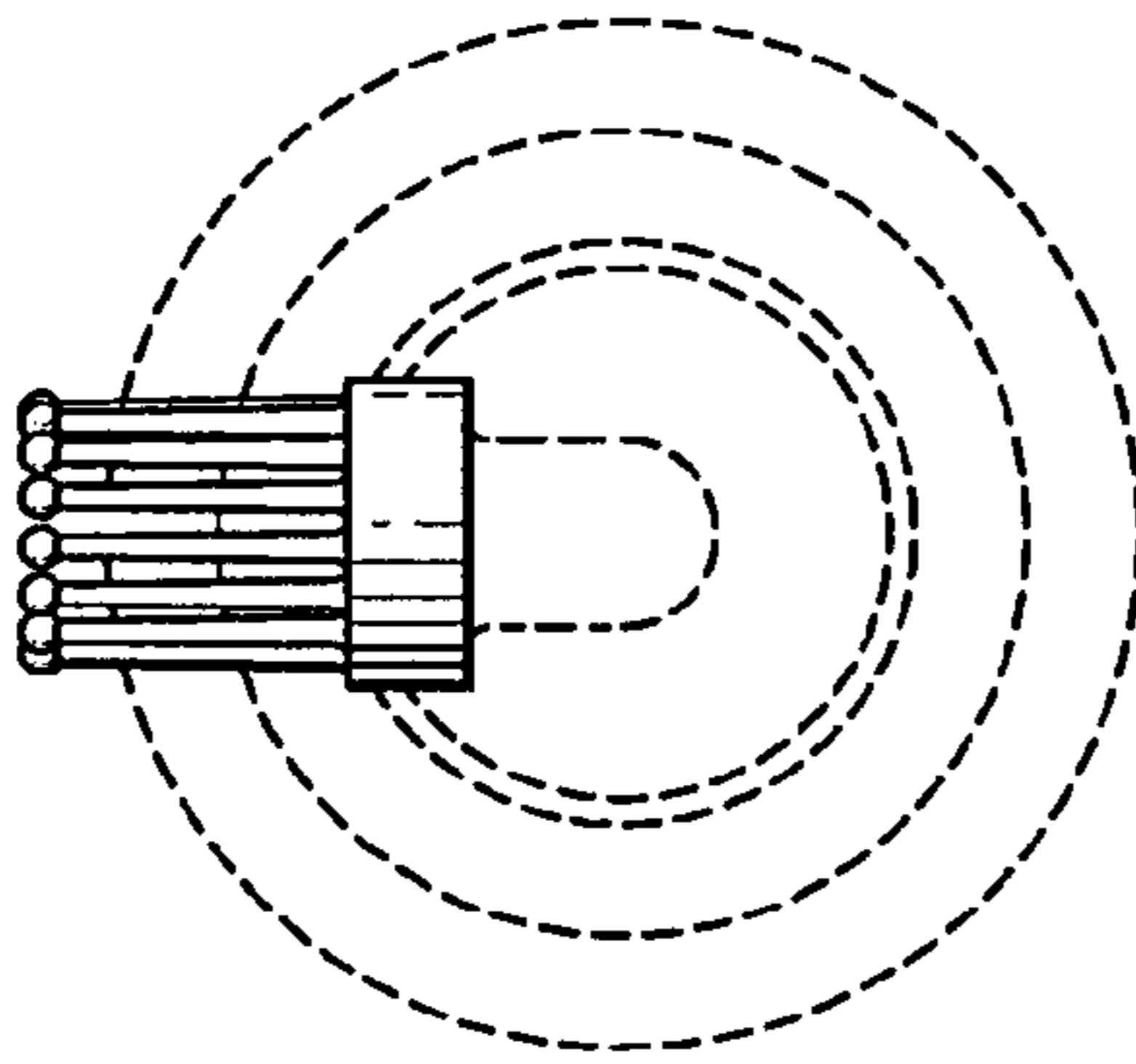


Fig. 7

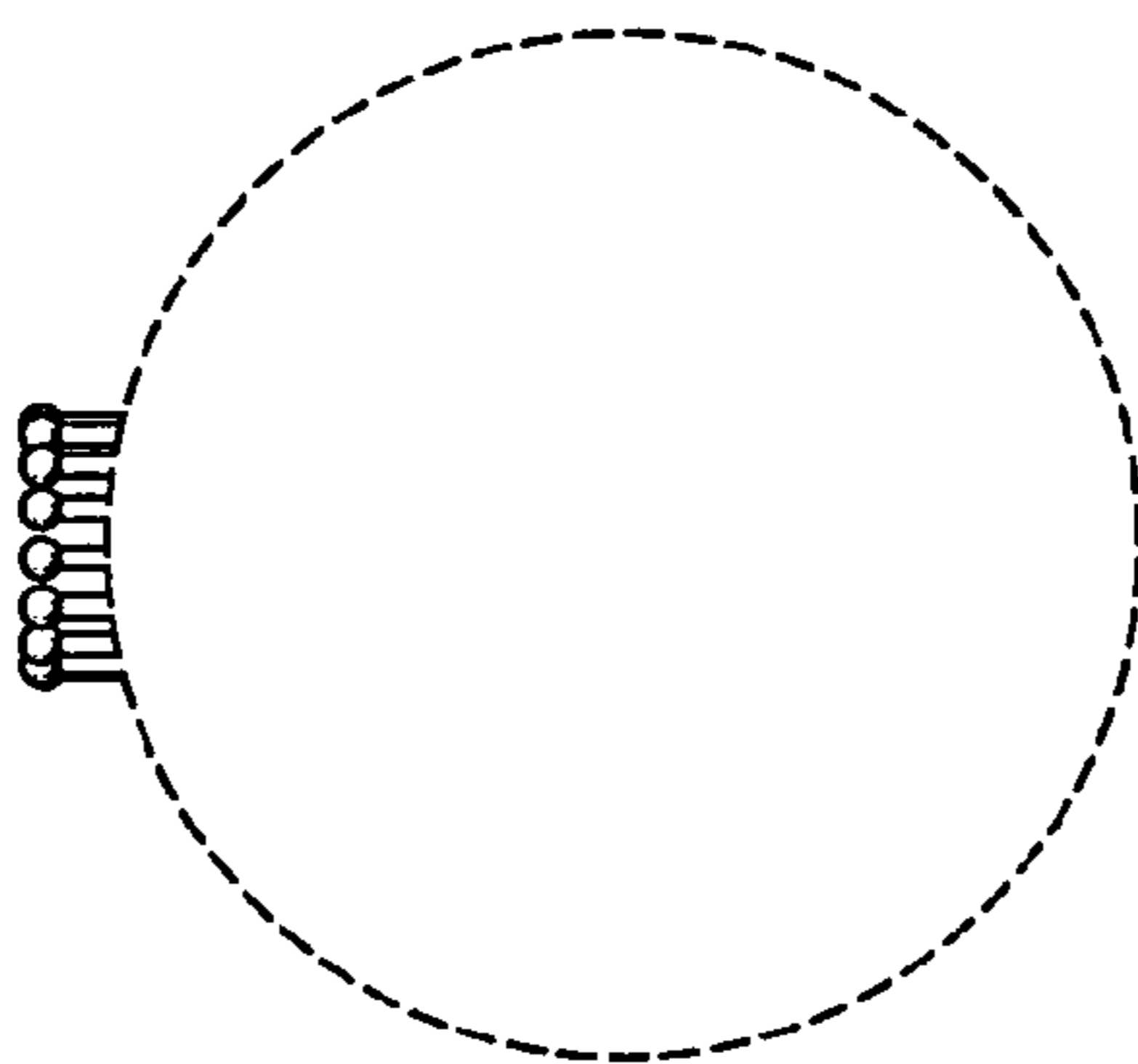


Fig. 8

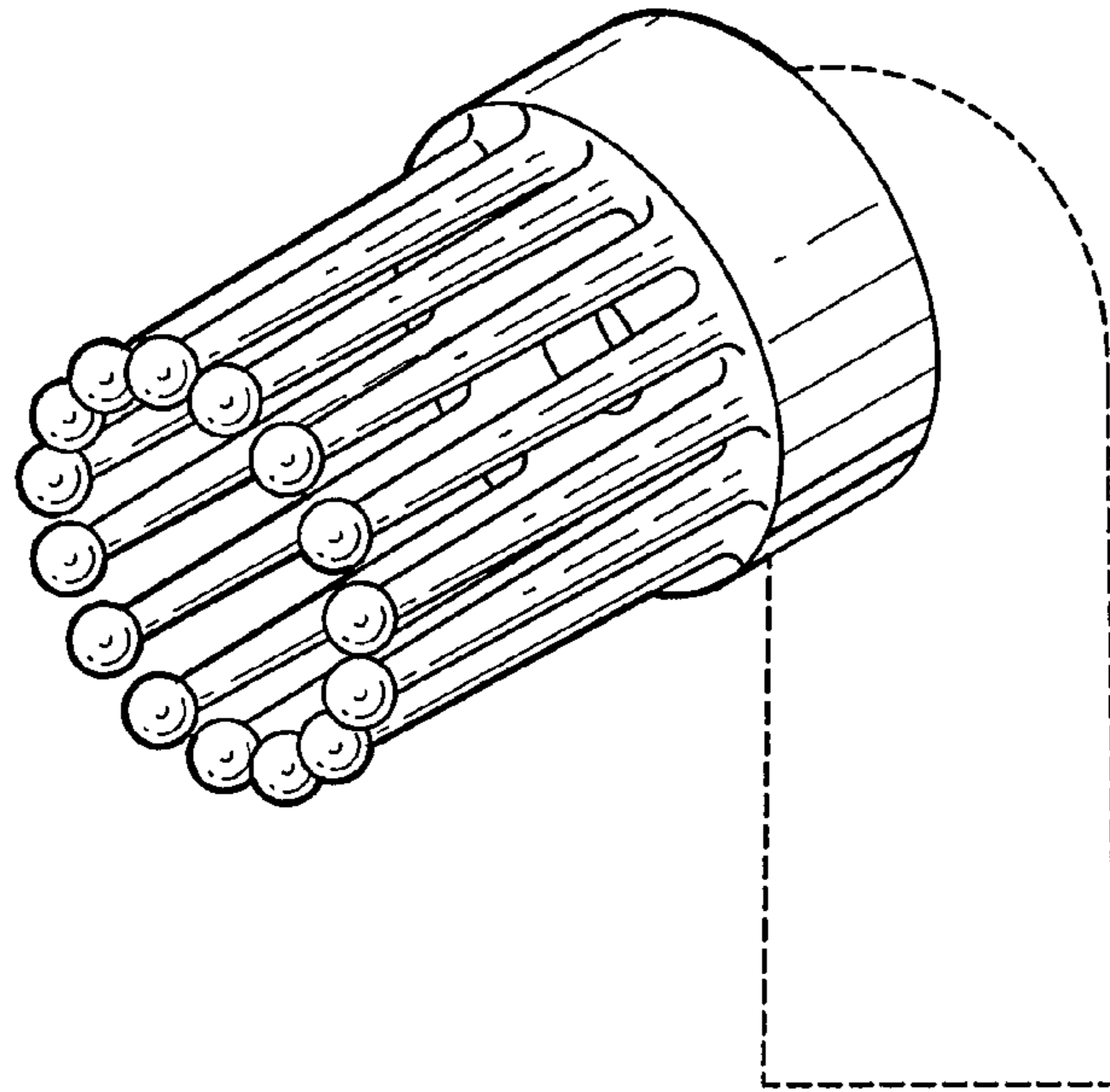


Fig. 9

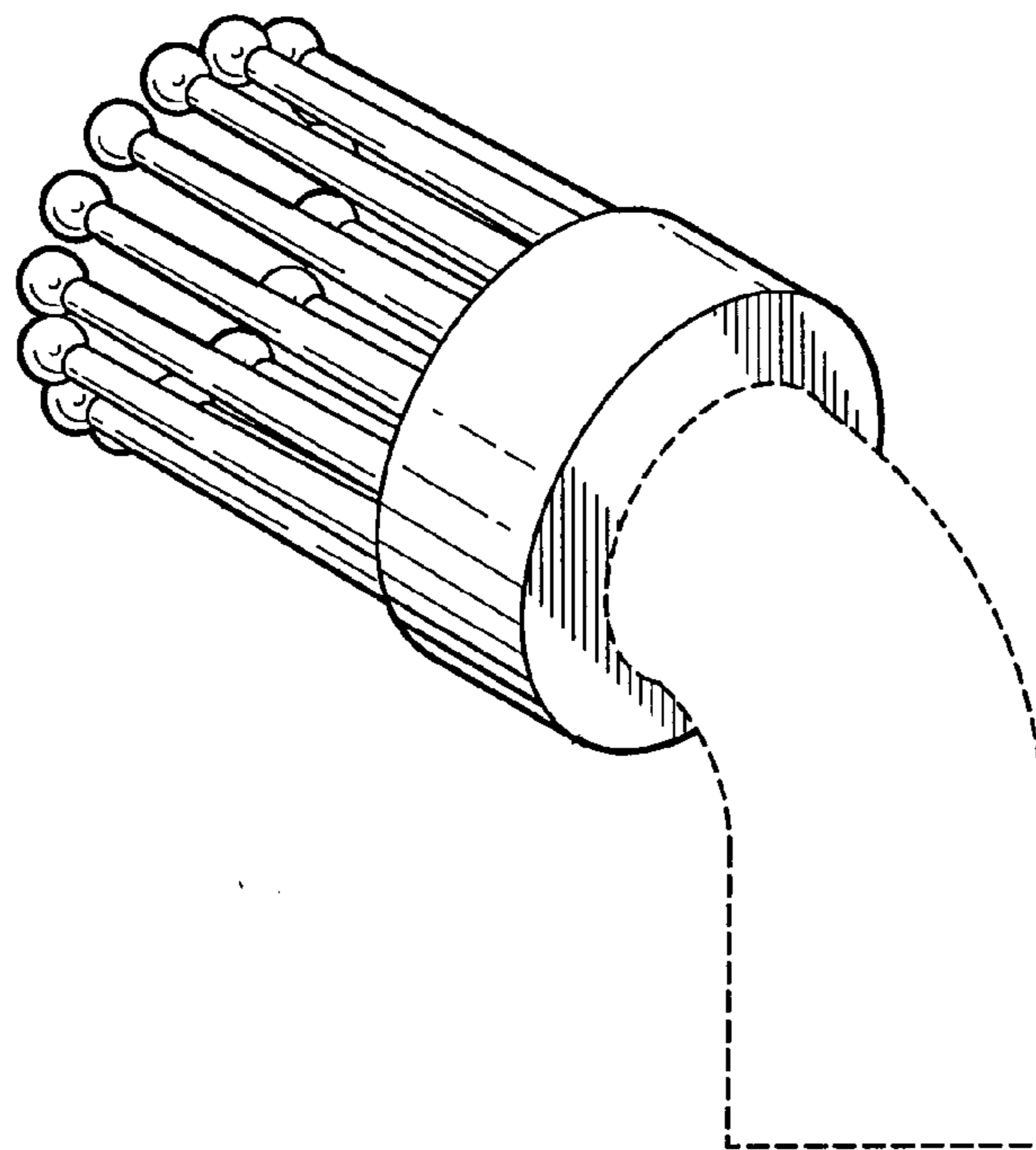


Fig. 10

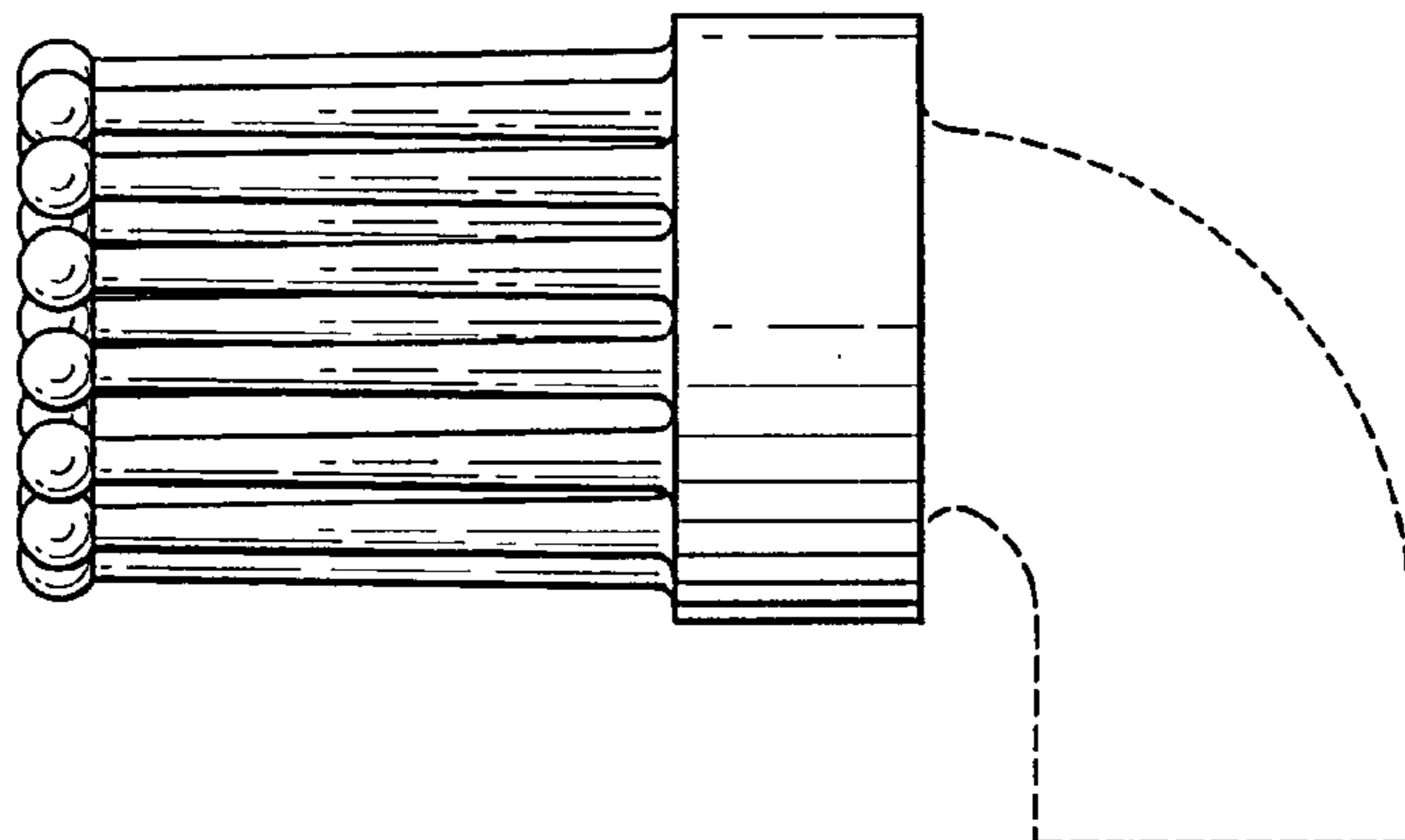


Fig. 11

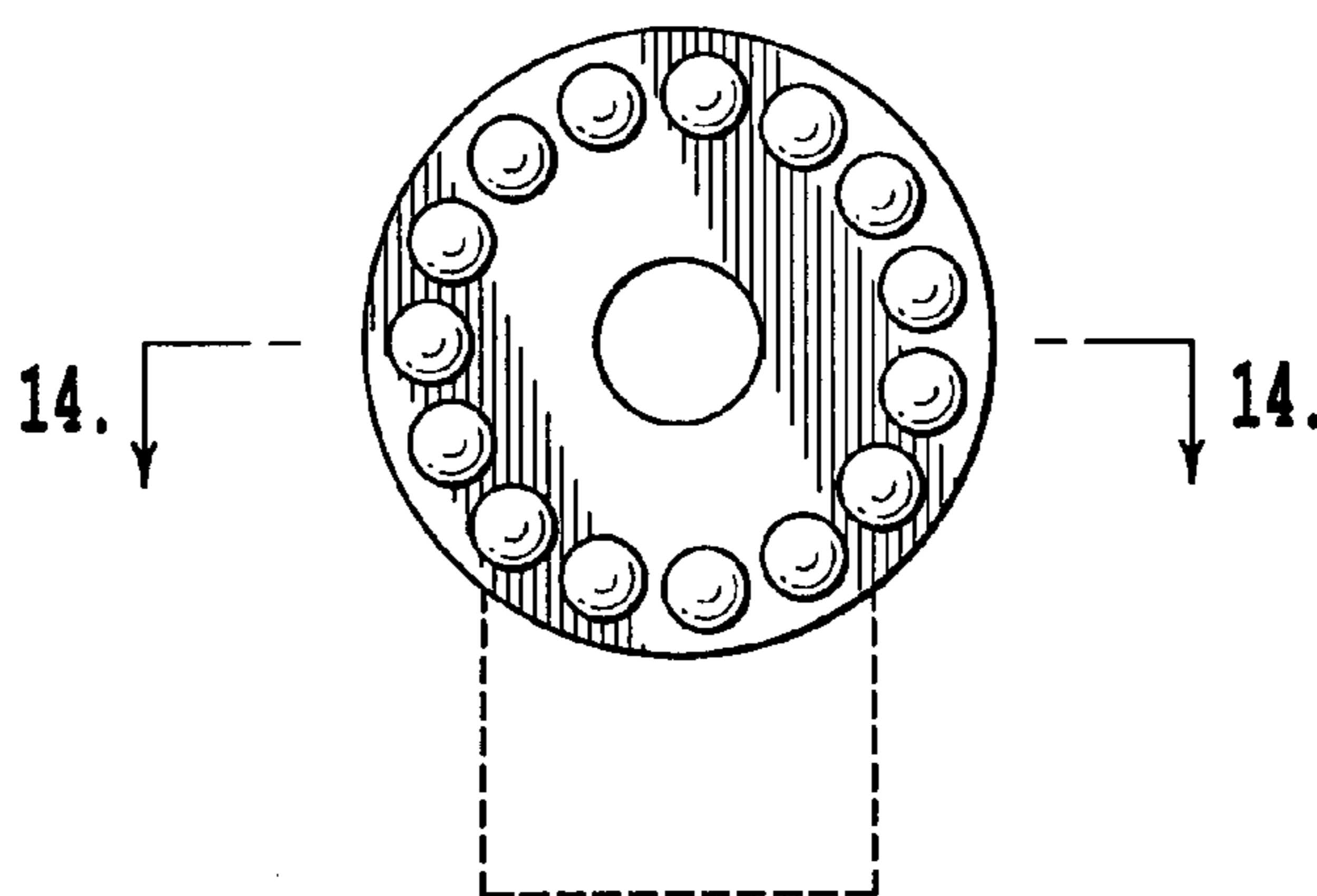


Fig. 12

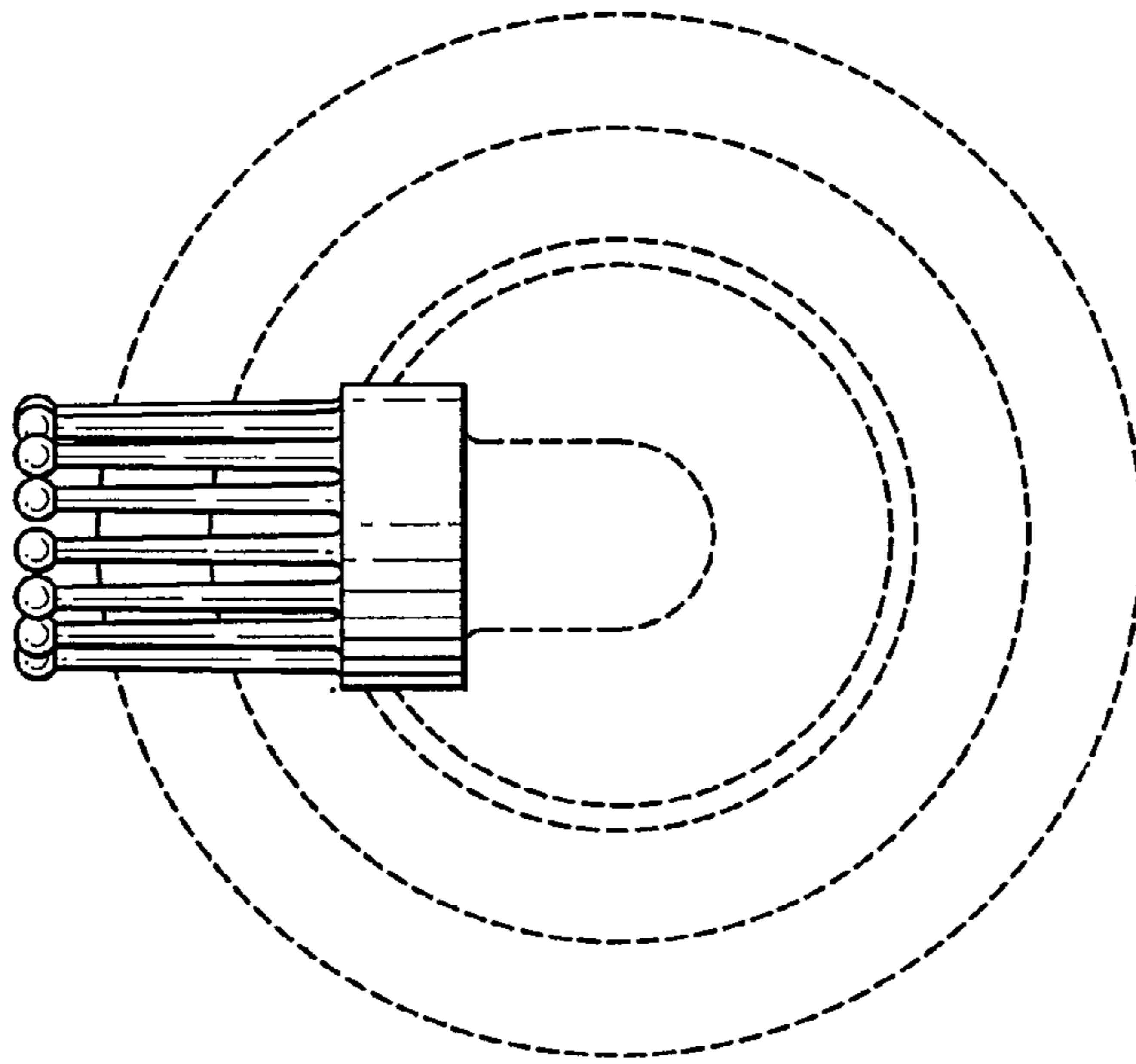


Fig. 13

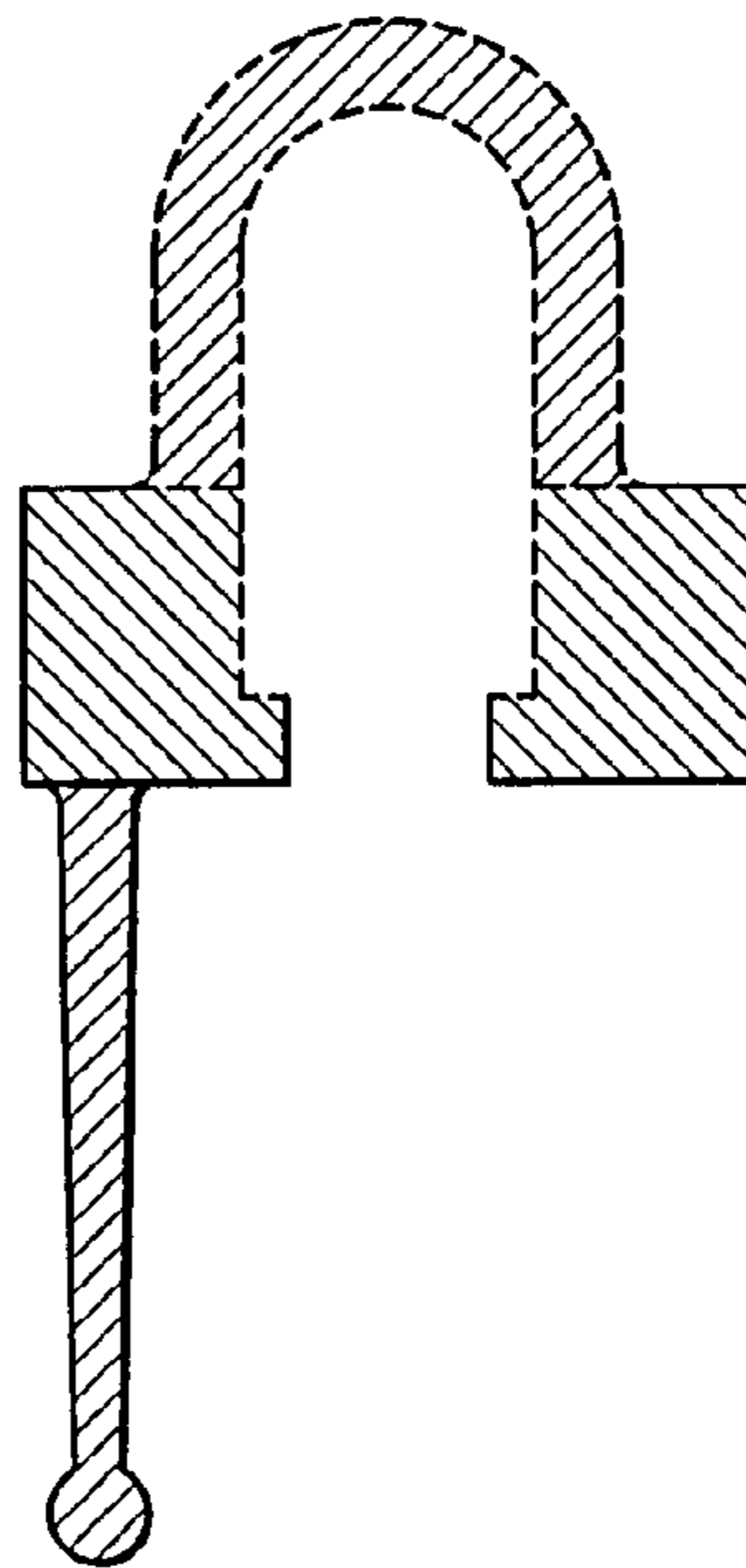


Fig. 14