



US00D688417S

(12) **United States Design Patent**  
**Liu**

(10) **Patent No.:** **US D688,417 S**  
(45) **Date of Patent:** **\*\* Aug. 20, 2013**

- (54) **ELECTRONIC HOOKAH**
- (71) Applicants: **Tuanfang Liu, Ji'an (CN); Noam Loubel, Shenzhen (CN); Yehoshua Shay Kastro, Shenzhen (CN)**
- (72) Inventor: **Tuanfang Liu, Jiangxi (CN)**
- (\*\*) Term: **14 Years**
- (21) Appl. No.: **29/433,352**
- (22) Filed: **Sep. 28, 2012**
- (30) **Foreign Application Priority Data**  
Jul. 19, 2012 (CN) ..... 2012 3 0327590
- (51) **LOC (9) Cl.** ..... **27-02**
- (52) **U.S. Cl.**  
USPC ..... **D27/162**
- (58) **Field of Classification Search**  
USPC ..... D27/106, 136, 133, 134, 135, 102, D27/103, 104, 105, 137, 161, 163, 160, 166, D27/167, 168, 181, 183, 162, 169, 180, 165, D27/164, 182, 184, 185, 186, 187, 188, 189, D27/190; 131/235.1, 241, 248, 231, 240.1, 131/236, 256, 175, 173; D9/432, 423; 248/230.8; 431/146, 254, 252, 277, 255, 431/153, 356  
See application file for complete search history.

- (56) **References Cited**  
U.S. PATENT DOCUMENTS  
D50,011 S \* 12/1916 Bell ..... D9/529  
1,597,757 A \* 8/1926 Berger ..... 229/210  
D111,104 S \* 8/1938 Arbib ..... D9/431  
D246,146 S \* 10/1977 Han ..... D6/443  
D249,240 S \* 9/1978 Klitzner ..... D9/414  
4,116,204 A \* 9/1978 Kline ..... 131/173  
4,198,993 A \* 4/1980 Martin et al. .... 131/173  
D274,056 S \* 5/1984 Myer ..... D14/172

4,648,410 A *	3/1987	Seroussi	.....	131/173
D318,622 S *	7/1991	Wada	.....	D10/15
5,043,855 A *	8/1991	Yelvington	.....	362/276
5,123,500 A *	6/1992	Malhoit et al.	.....	181/144
D328,298 S *	7/1992	Chan	.....	D14/189
D337,315 S *	7/1993	Riza	.....	D14/355
D343,790 S *	2/1994	Mermelstein	.....	D9/430
5,297,012 A *	3/1994	Fletcher	.....	362/235
D345,699 S *	4/1994	Yang	.....	D10/21
D349,117 S *	7/1994	Rasansky et al.	.....	D14/218
D357,019 S *	4/1995	Rasansky et al.	.....	D14/218
D359,587 S *	6/1995	Ross	.....	D30/101
D373,528 S *	9/1996	Ser Tuen Wei	.....	D9/431
D380,528 S *	7/1997	D'Andrea	.....	D23/283
D382,207 S *	8/1997	Rowe	.....	D9/636
D383,864 S *	9/1997	Billings	.....	D26/51
D392,185 S *	3/1998	Husted	.....	D9/418
D423,342 S *	4/2000	Popesco	.....	D9/636
D425,811 S *	5/2000	Dohrmann	.....	D10/106.1
D426,426 S *	6/2000	Williams et al.	.....	D7/507

(Continued)

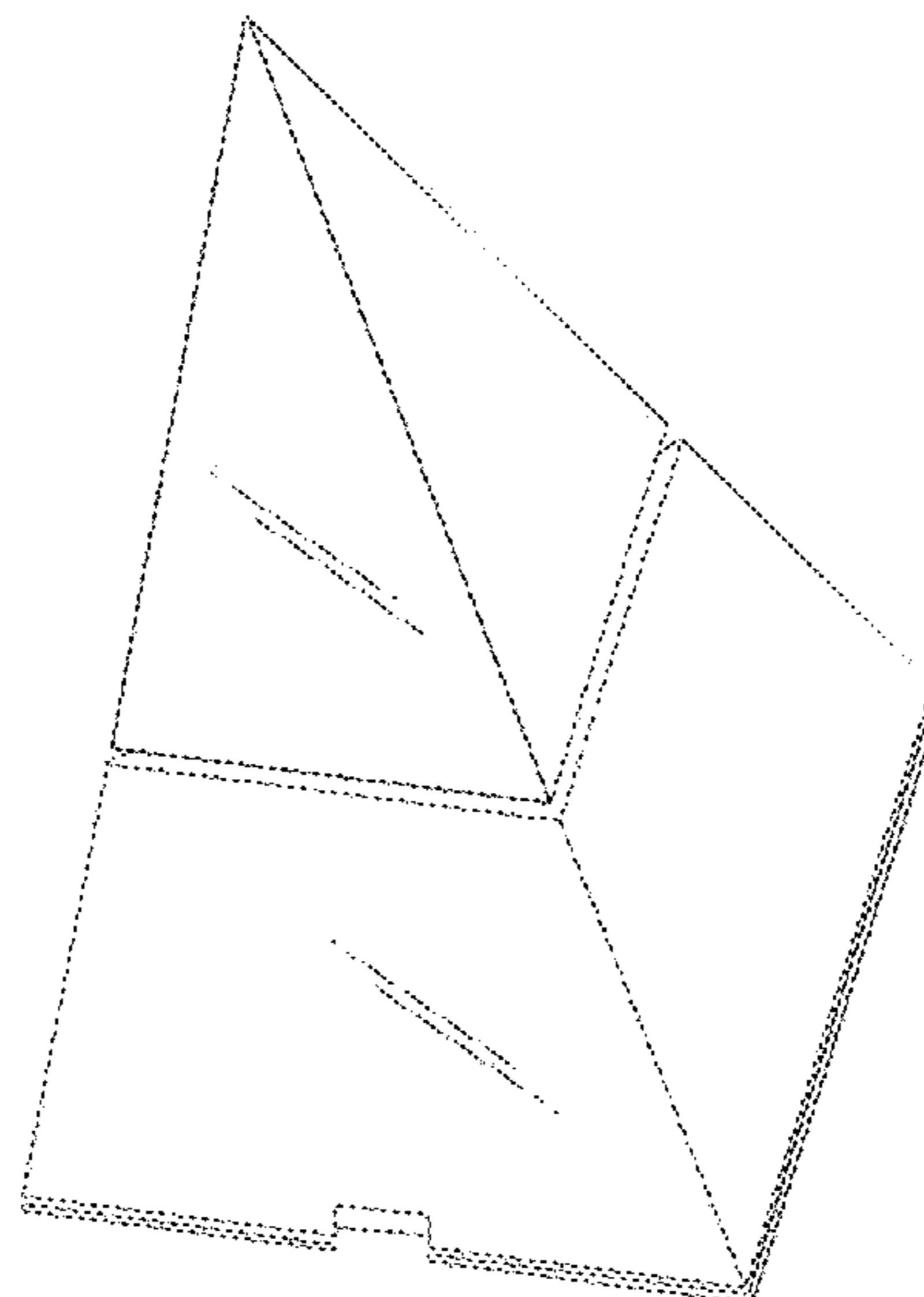
Primary Examiner — Kevin Rudzinski

(57) **CLAIM**  
The ornamental design for an electronic hookah, as shown and described.

**DESCRIPTION**

FIG. 1 is a front perspective view of electronic hookah showing my new design;  
 FIG. 2 is a front elevational view thereof;  
 FIG. 3 is a rear elevational view thereof;  
 FIG. 4 is a left side elevational view thereof;  
 FIG. 5 is a right side elevational view thereof;  
 FIG. 6 is a top plan view thereof;  
 FIG. 7 is a bottom plan view thereof; and,  
 FIG. 8 is a rear perspective view of electronic hookah showing my new design.  
 The broken lines showing in FIG. 7 are for environmental purposes only and form no part of the claimed design.

**1 Claim, 5 Drawing Sheets**



(56)

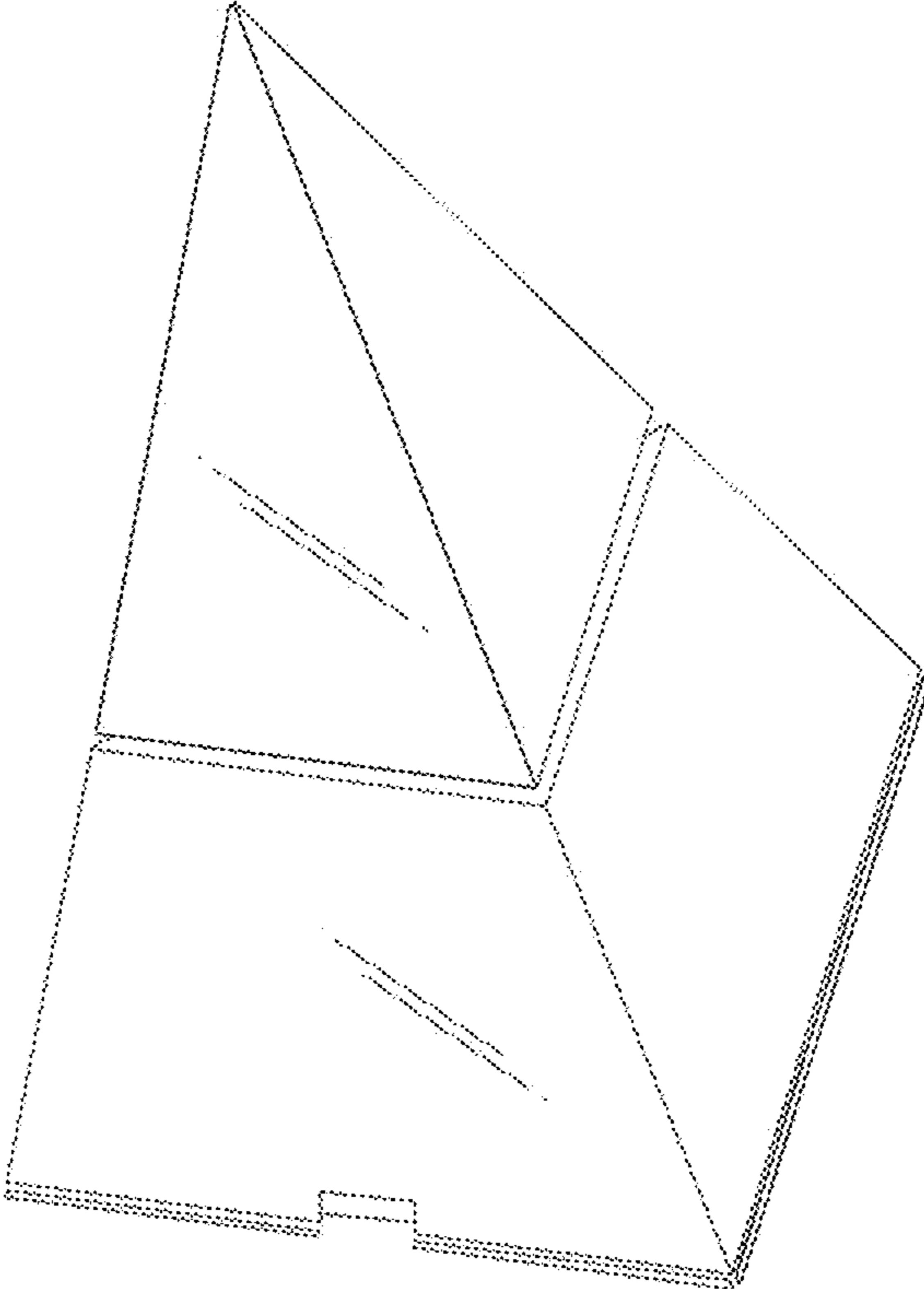
References Cited

U.S. PATENT DOCUMENTS

D436,419 S \* 1/2001 Lin ..... D26/104  
D443,218 S \* 6/2001 Dohrmann ..... D10/106.1  
D445,721 S \* 7/2001 McLeish et al. .... D11/131.1  
D447,973 S \* 9/2001 Dohrmann ..... D10/106.6  
D492,018 S \* 6/2004 Schroder ..... D23/364  
D504,315 S \* 4/2005 Lee ..... D9/635  
6,976,768 B2 \* 12/2005 Hewson ..... 362/247  
D515,683 S \* 2/2006 LaBlaine ..... D23/366

D529,377 S \* 10/2006 Heiss ..... D9/431  
D551,116 S \* 9/2007 Devory, Jr. .... D11/131  
D574,293 S \* 8/2008 Devory, Jr. .... D11/131  
D574,440 S \* 8/2008 Goodrich ..... D21/396  
D595,263 S \* 6/2009 Jiang ..... D14/207  
D603,245 S \* 11/2009 Bucci ..... D8/354  
D618,738 S \* 6/2010 Bodin et al. .... D21/505  
D652,709 S \* 1/2012 Bucci ..... D8/354  
D660,685 S \* 5/2012 Bucci ..... D8/354  
2005/0014112 A1 \* 1/2005 Fentress ..... 434/211

\* cited by examiner



**FIG.1**

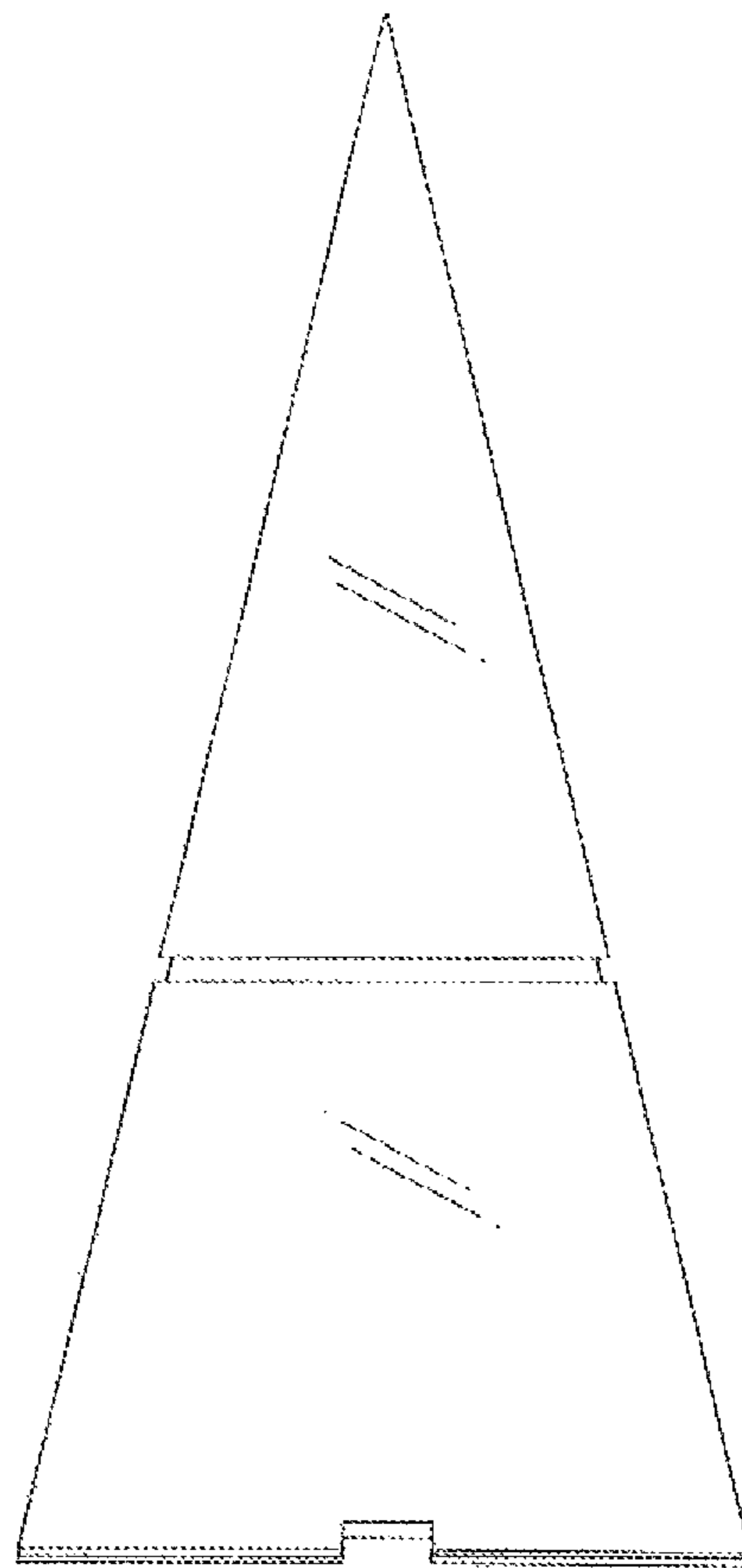


FIG.2

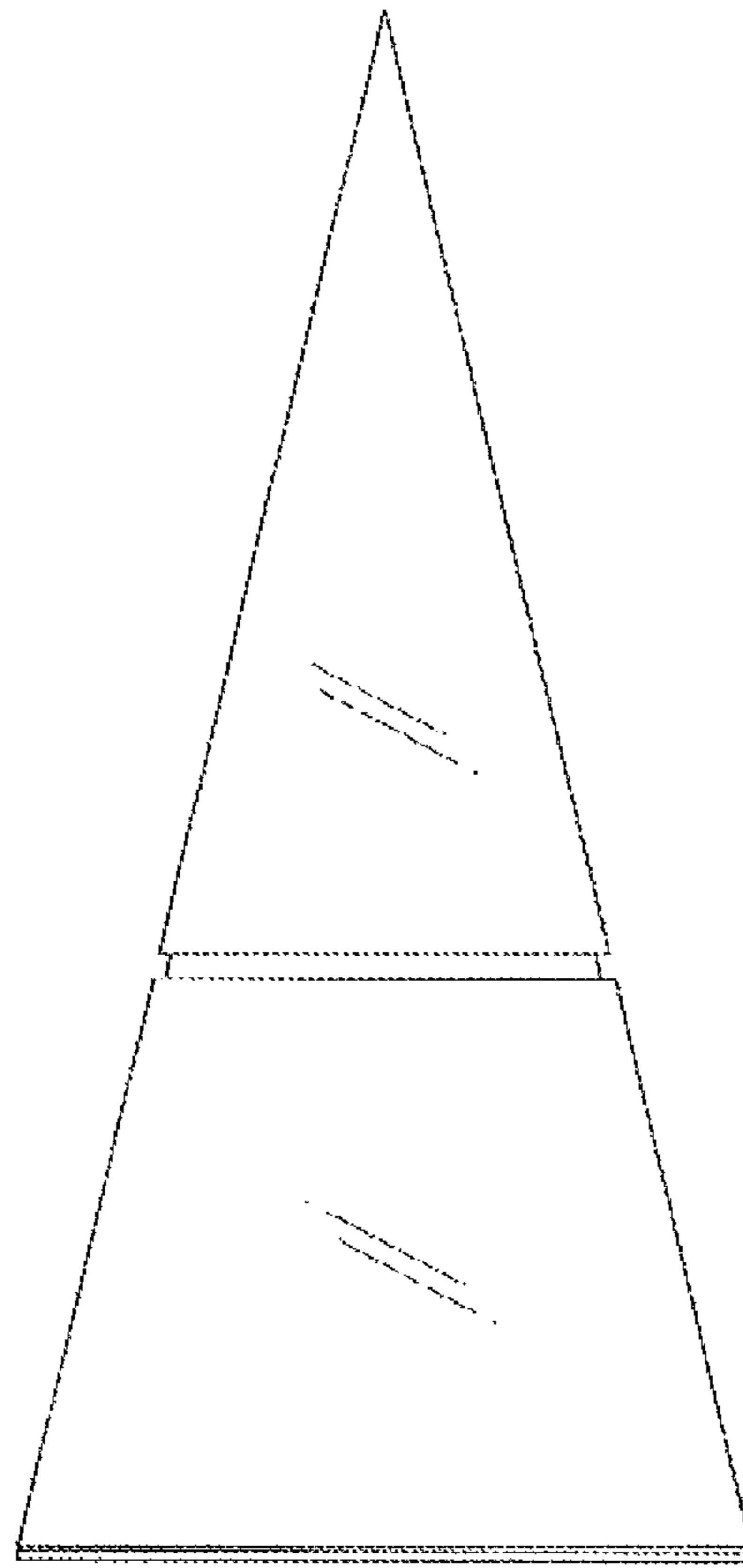
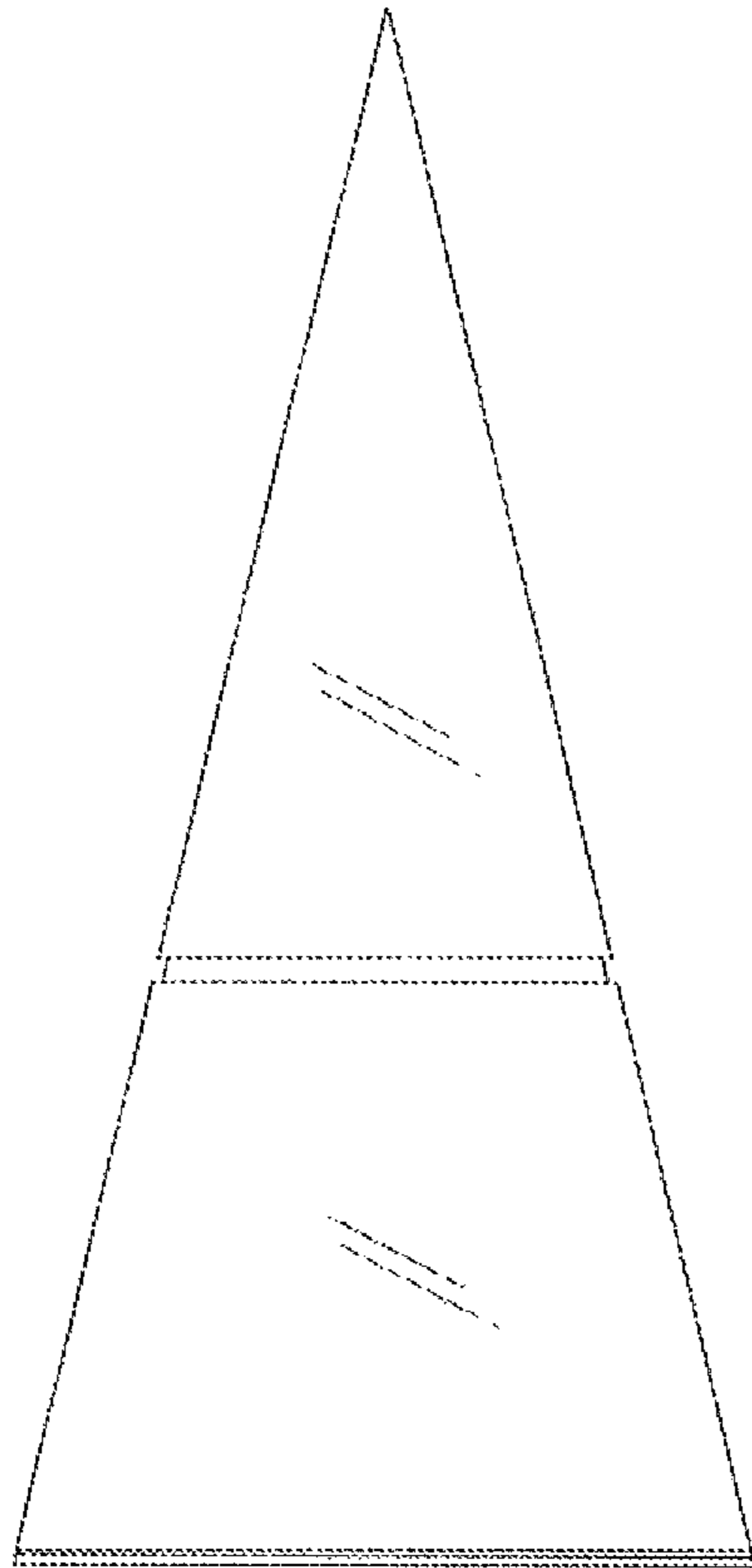
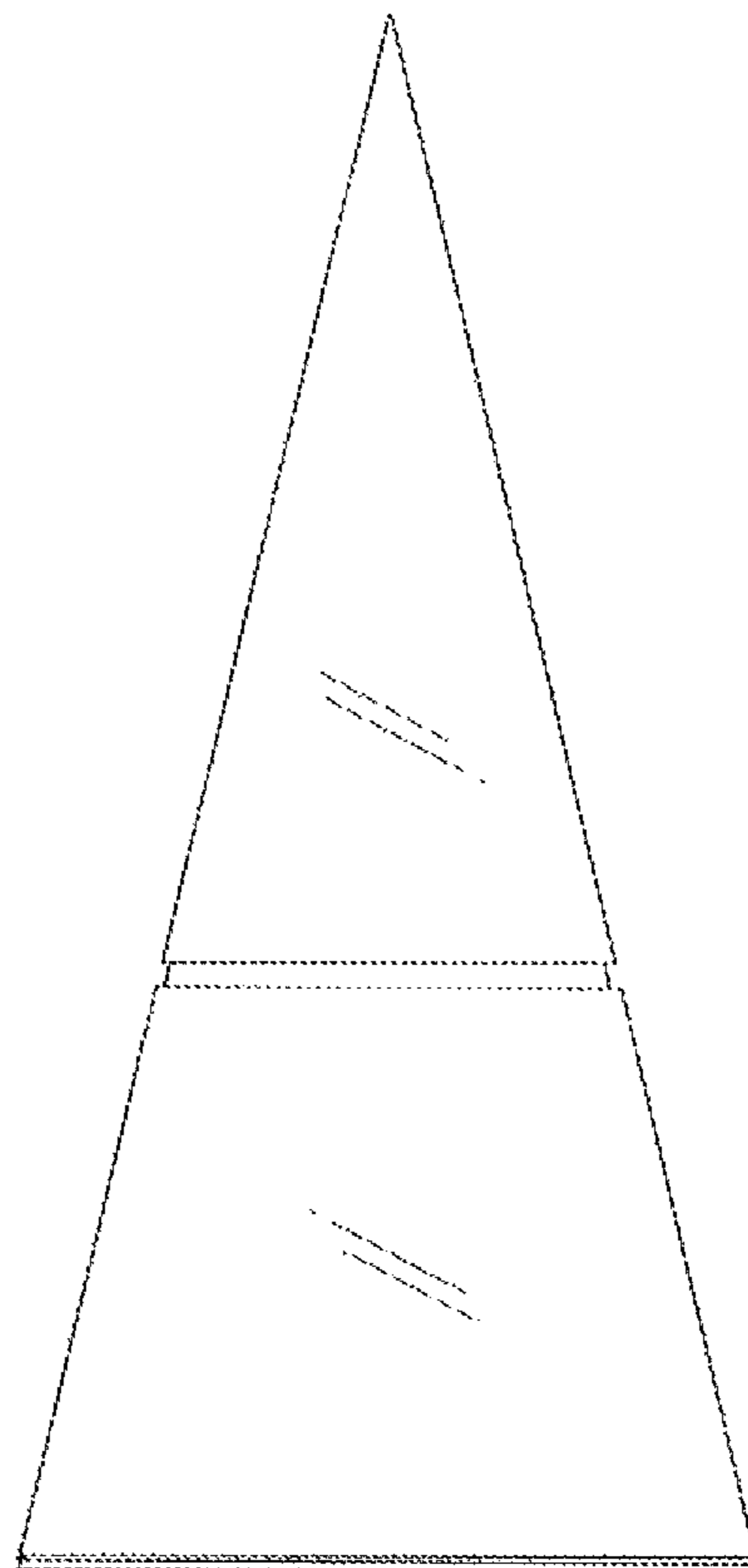


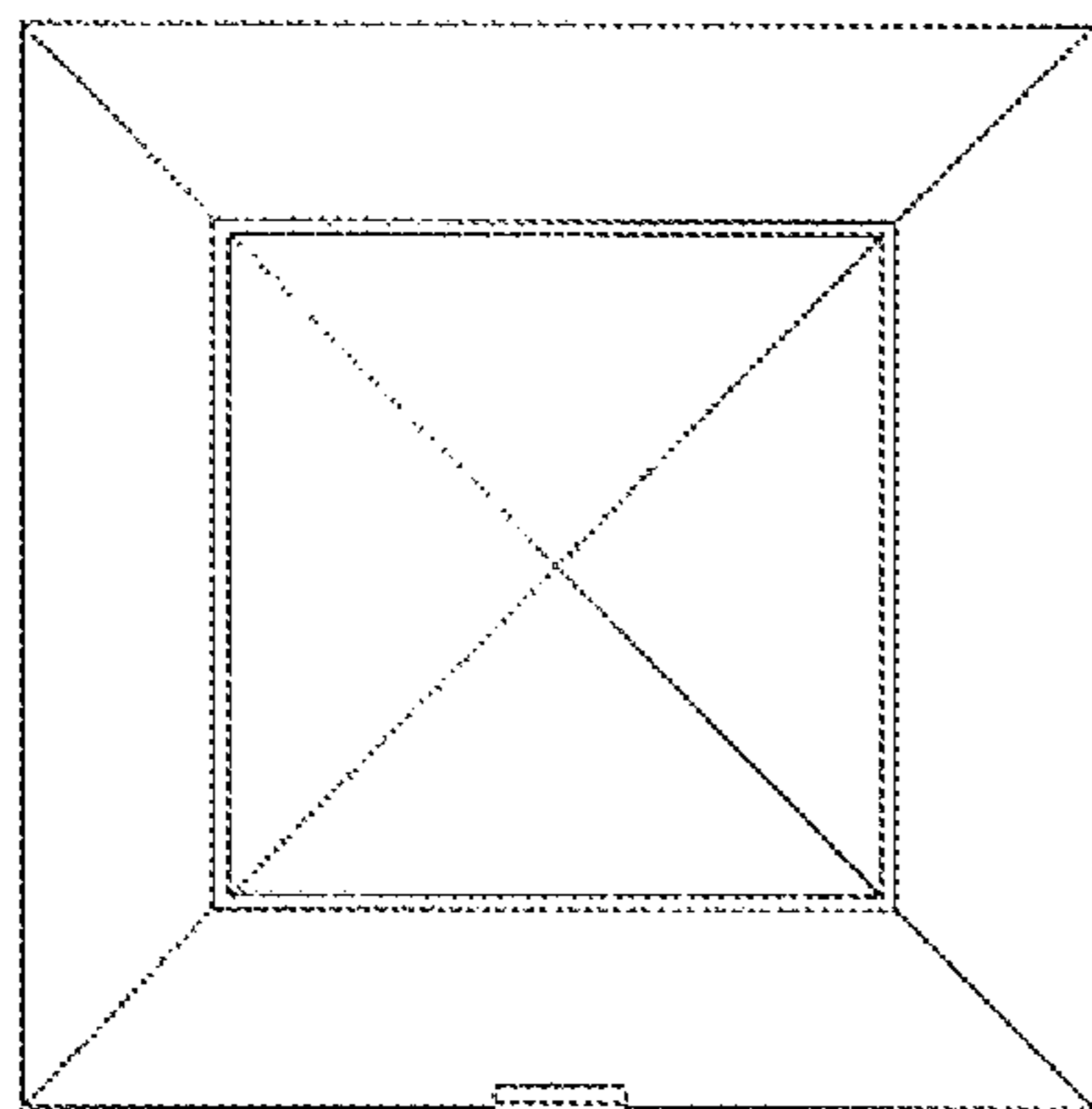
FIG.3



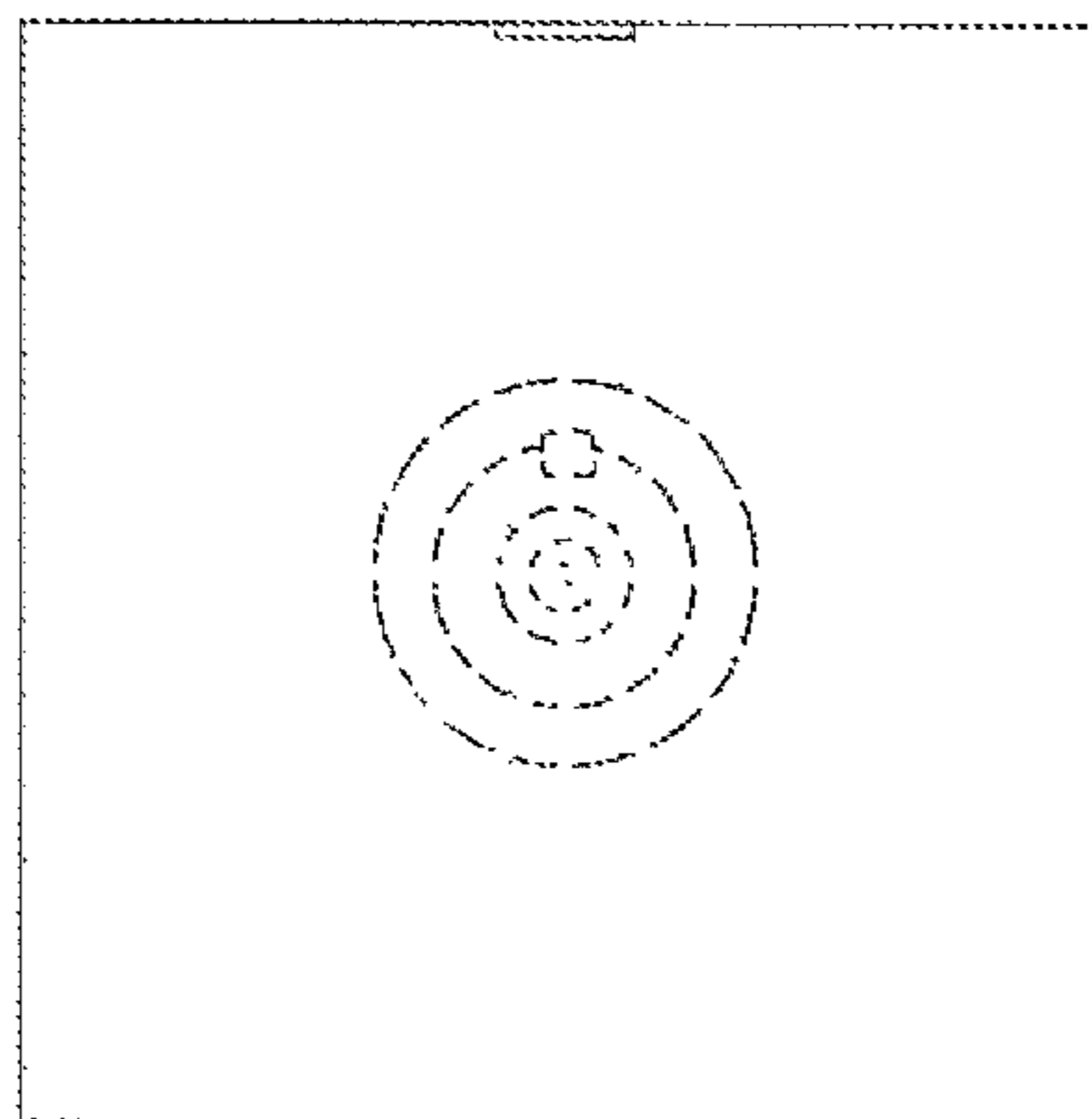
**FIG. 4**



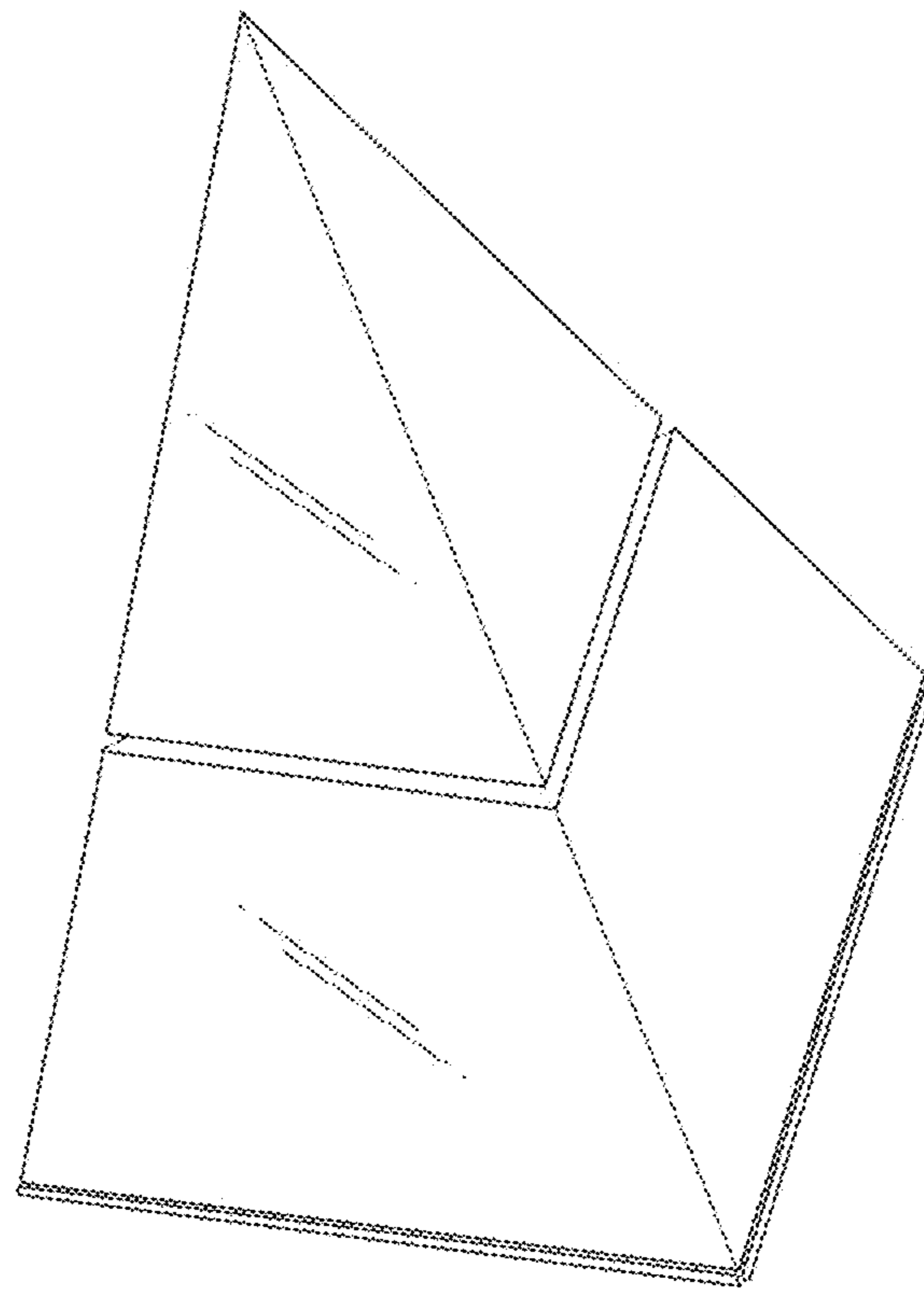
**FIG. 5**



**FIG. 6**



**FIG. 7**



**FIG.8**