



US00D688413S

(12) **United States Design Patent**  
**Tomlinson**

(10) **Patent No.:** **US D688,413 S**

(45) **Date of Patent:** **\*\* Aug. 20, 2013**

(54) **LIGHTING FIXTURE**  
(75) Inventor: **Joel Tomlinson**, Westlake, OH (US)

D605,333 S 12/2009 Miranda  
D607,137 S 12/2009 Chen  
D669,622 S \* 10/2012 Orozco ..... D26/85

(73) Assignee: **Hinkley Lighting, Inc.**, Avon Lake, OH (US)

**OTHER PUBLICATIONS**

(\*\*) Term: **14 Years**

“Flynn” lamp by Candice Olson shown on p. 12 of the AF Lighting Spring 2007 catalog. (2 pages, includes front cover of catalog).  
All light fixtures from the “Sedona” collection shown on pp. 394 and 395 of the Elk Lighting, Inc. Catalog 2900. © 2009. (2 pages).  
All “Kanso” fixtures shown on p. 414 of the ELK Lighting Inc. Catalog 2900. © 2009. (2 pages, includes rear cover of catalog).  
Hinkley Lighting, Inc.’s 2009-2010 Catalog, Published Dec. 2008.  
Hinkley Lighting Meridian lighting fixtures, Item Nos. 5590, 5592, 5593 and 5594, on sale at least as early as Nov. 14, 2009.  
Model #F1889/3 from the Boulevard Collection shown on p. 90; and Model #SF157 BS shown on p. 171 of the 2005 Murray-Feiss Catalog (3 pages includes front cover of catalog).  
Model F42253 AP on p. s290 and Model #42252 AP; both from the “Quinn” collection of the Kichler Lighting Catalog Supplement No. K609 (3 pages includes rear cover of catalog).

(21) Appl. No.: **29/428,252**

(22) Filed: **Jul. 27, 2012**

**Related U.S. Application Data**

(62) Division of application No. 29/379,138, filed on Nov. 15, 2010.

(51) **LOC (9) Cl.** ..... **26-99**

(52) **U.S. Cl.**  
USPC ..... **D26/129**; D26/85

(58) **Field of Classification Search**  
USPC ..... D26/67, 85, 87, 118, 128, 129, 130;  
362/147, 362, 431, 432, 367  
See application file for complete search history.

\* cited by examiner

*Primary Examiner* — Clare E Heflin

(74) *Attorney, Agent, or Firm* — Pearne & Gordon LLP

(57) **CLAIM**

I claim the ornamental design for lighting fixture, as shown and described.

(56) **References Cited**

**U.S. PATENT DOCUMENTS**

D43,646 S	2/1913	Ryan	
D51,188 S	8/1917	Snow	
D67,891 S *	7/1925	Klein	D26/129
D73,618 S *	10/1927	Miller	D26/87
D87,862 S	10/1932	Ainsworth	
D87,863 S	10/1932	Ainsworth	
D87,923 S	10/1932	Hoffmann	
D166,966 S *	6/1952	Huegel	D26/87
D182,441 S *	4/1958	Rothman	D26/87
D199,266 S *	9/1964	Izzi	D26/67
D207,178 S *	3/1967	Atkin	D26/87
4,069,415 A *	1/1978	Dacal	362/263
D441,120 S	4/2001	Hsu	
D522,164 S *	5/2006	Trivino et al.	D26/71
D535,427 S *	1/2007	Chandler	D26/87
D536,821 S *	2/2007	Dolan	D26/87
D552,293 S	10/2007	Silver	
D565,777 S	4/2008	Hsu	
D577,850 S	9/2008	Nicholas	
D605,332 S	12/2009	Miranda	

**DESCRIPTION**

FIGS. 1-4 illustrate a first embodiment of the lighting fixture. FIG. 1 is a perspective view of the first embodiment of the lighting fixture, which has bilateral mirror-image symmetry. FIG. 2 is a top view of the first embodiment of the lighting fixture. FIG. 3 is a front view of the first embodiment of the lighting fixture. FIG. 4 is a right-hand view of the first embodiment of the lighting fixture. The left-hand view would be a mirror image of the right-hand view. FIGS. 5-8 illustrate a second embodiment of the lighting fixture. FIG. 5 is a perspective view of the second embodiment of the lighting fixture, which has four-way (90°) rotational symmetry.

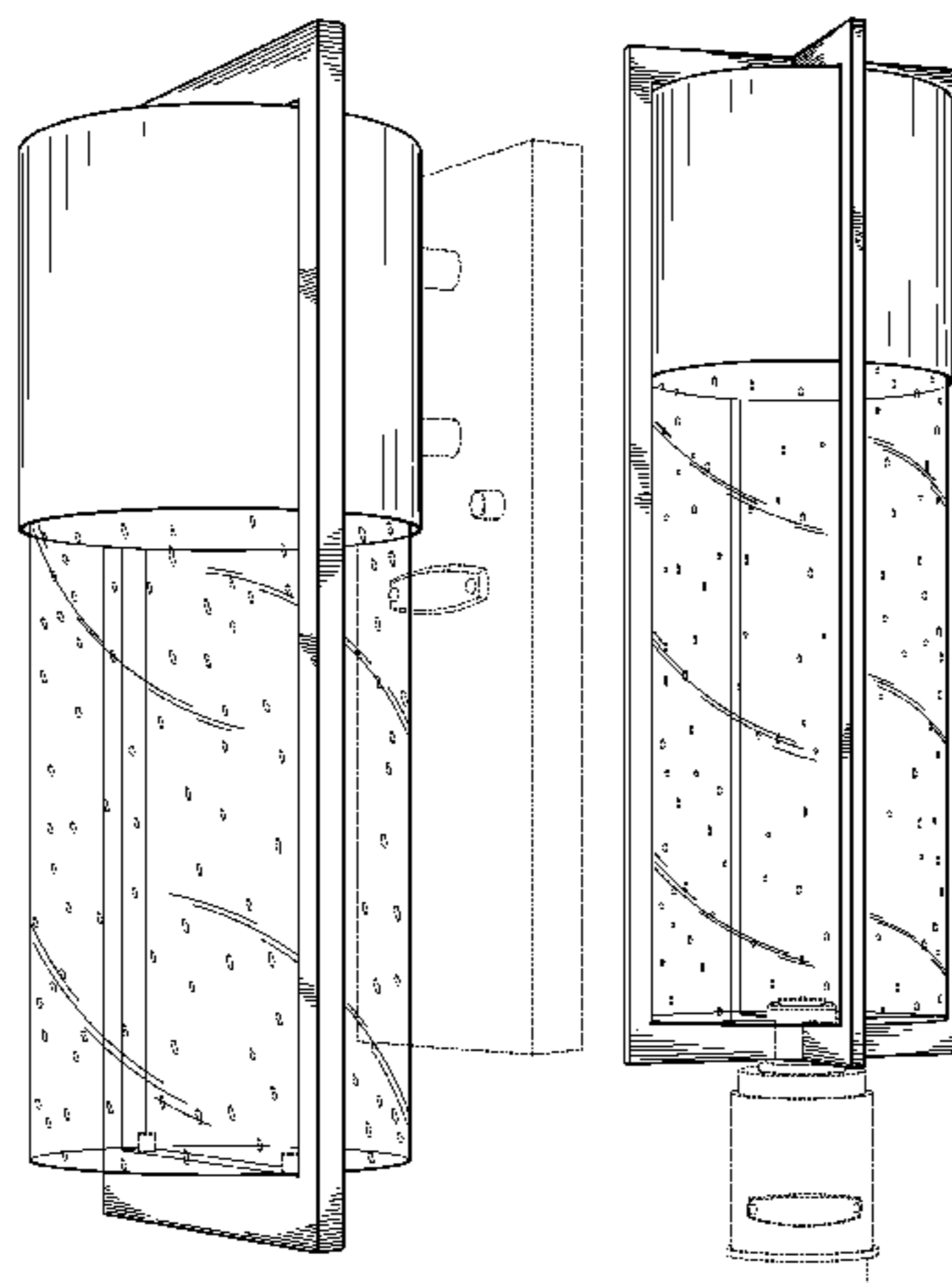


FIG. 6 is a top view of the second embodiment of the lighting fixture.

FIG. 7 is a front view of the second embodiment of the lighting fixture. The rear view would be a mirror image of the front view.

FIG. 8 is a right-hand view of the second embodiment of the lighting fixture. The left-hand view would be a mirror image of the right-hand view.

FIGS. 9-13 illustrate a third embodiment of the lighting fixture.

FIG. 9 is a perspective view of the third embodiment of the lighting fixture, which has four-way (90°) rotational symmetry.

FIG. 10 is a top view of the third embodiment of the lighting fixture.

FIG. 11 is a bottom view of the third embodiment of the lighting fixture.

FIG. 12 is a front view of the third embodiment of the lighting fixture. The rear view would be a mirror image of the front view.

FIG. 13 is a right-hand view of the third embodiment of the lighting fixture. The left-hand view would be a mirror image of the right-hand view.

FIGS. 14-17 illustrate a fourth embodiment of the lighting fixture.

FIG. 14 is a perspective view of the fourth embodiment of the lighting fixture, which has bilateral mirror-image symmetry.

FIG. 15 is a top view of the fourth embodiment of the lighting fixture.

FIG. 16 is a front view of the fourth embodiment of the lighting fixture.

FIG. 17 is a right-hand view of the fourth embodiment of the lighting fixture. The left-hand view would be a mirror image of the right-hand view.

FIGS. 18-21 illustrate a fifth embodiment of the lighting fixture.

FIG. 18 is a perspective view of the fifth embodiment of the lighting fixture, which has bilateral mirror-image symmetry.

FIG. 19 is a top view of the fifth embodiment of the lighting fixture.

FIG. 20 is a front view of the fifth embodiment of the lighting fixture.

FIG. 21 is a right-hand view of the fifth embodiment of the lighting fixture. The left-hand view would be a mirror image of the right-hand view.

FIGS. 22-26 illustrate a sixth embodiment of the lighting fixture.

FIG. 22 is a perspective view of the sixth embodiment of the lighting fixture, which has four-way (90°) rotational symmetry.

FIG. 23 is a top view of the sixth embodiment of the lighting fixture.

FIG. 24 is a bottom view of the sixth embodiment of the lighting fixture.

FIG. 25 is a front view of the sixth embodiment of the lighting fixture. The rear view would be a mirror image of the front view; and,

FIG. 26 is a right-hand view of the sixth embodiment of the lighting fixture. The left-hand view would be a mirror image of the right-hand view.

The broken lines shown on the drawings depict environment only and form no part of the claimed design.

**1 Claim, 12 Drawing Sheets**

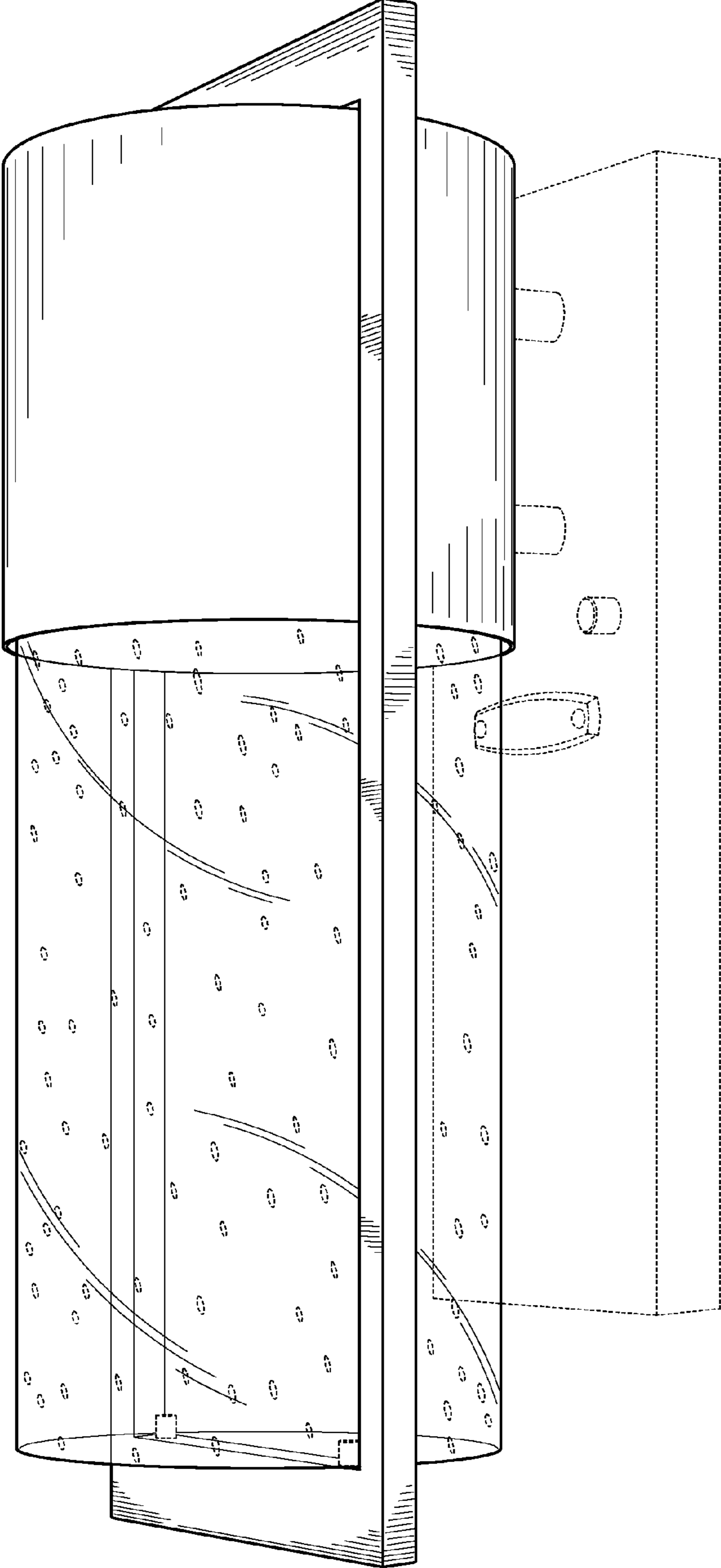


Fig. 1

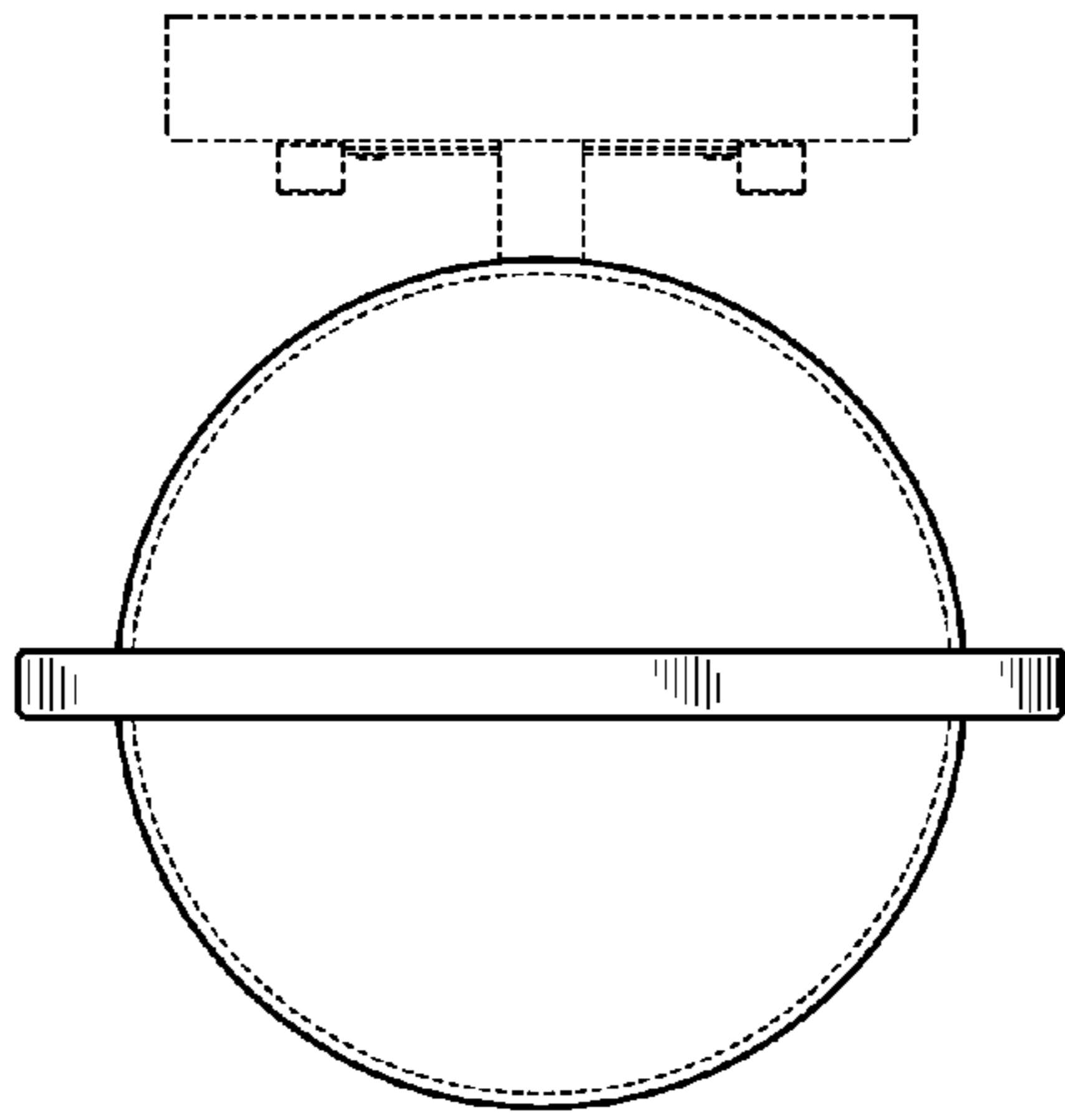


Fig. 2

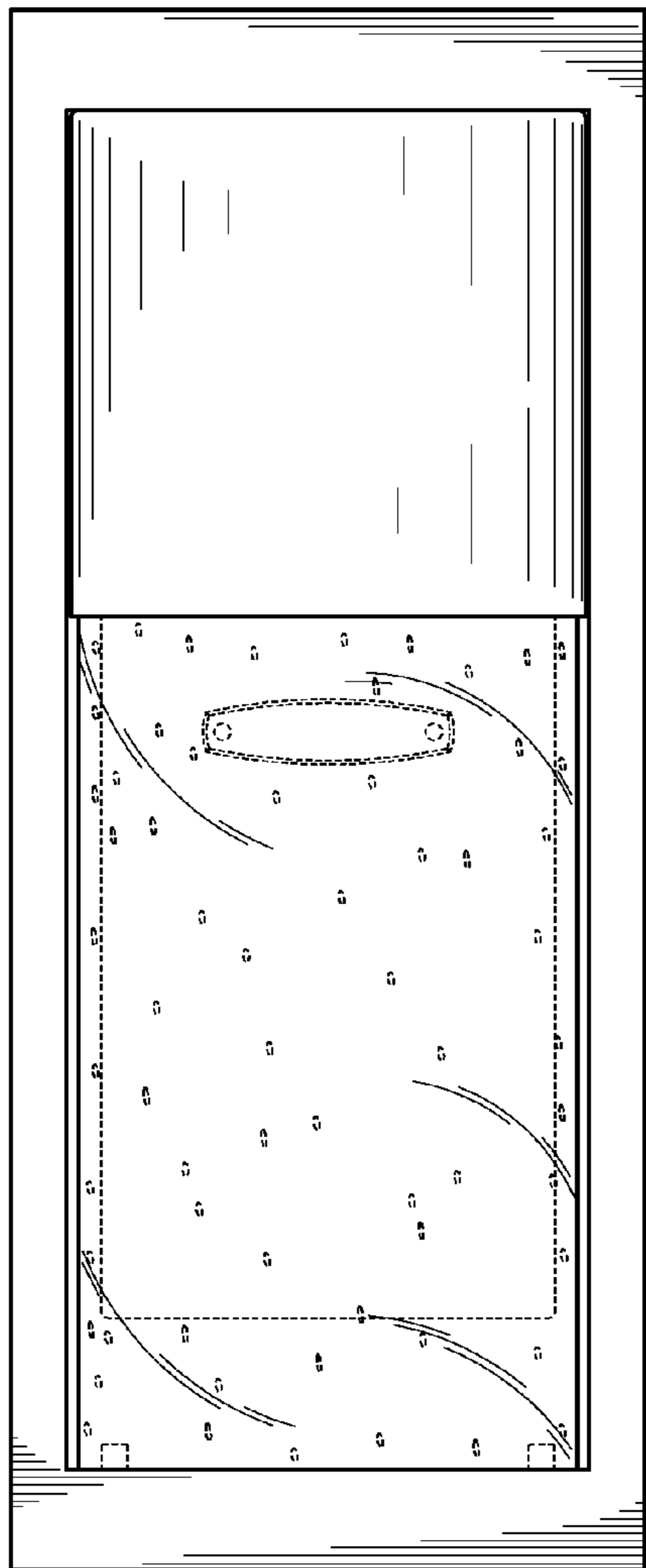


Fig. 3

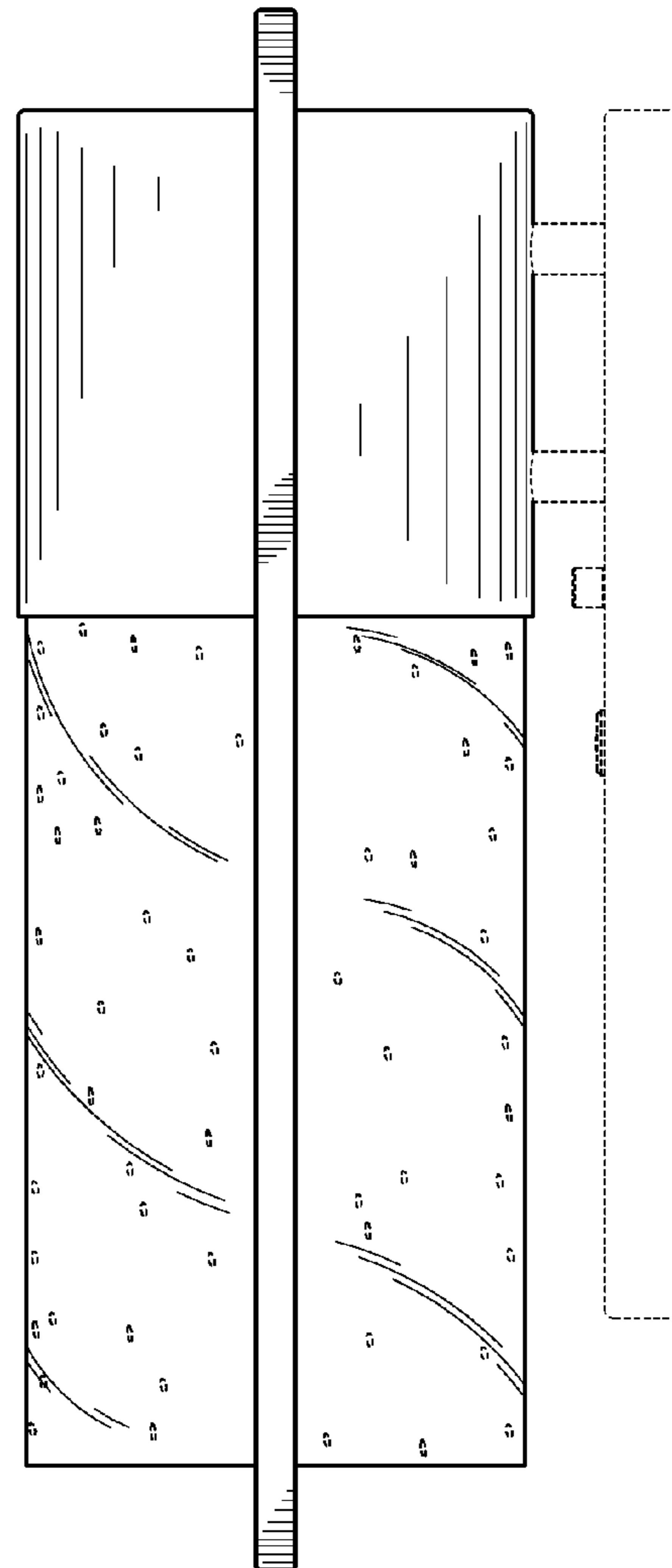


Fig. 4

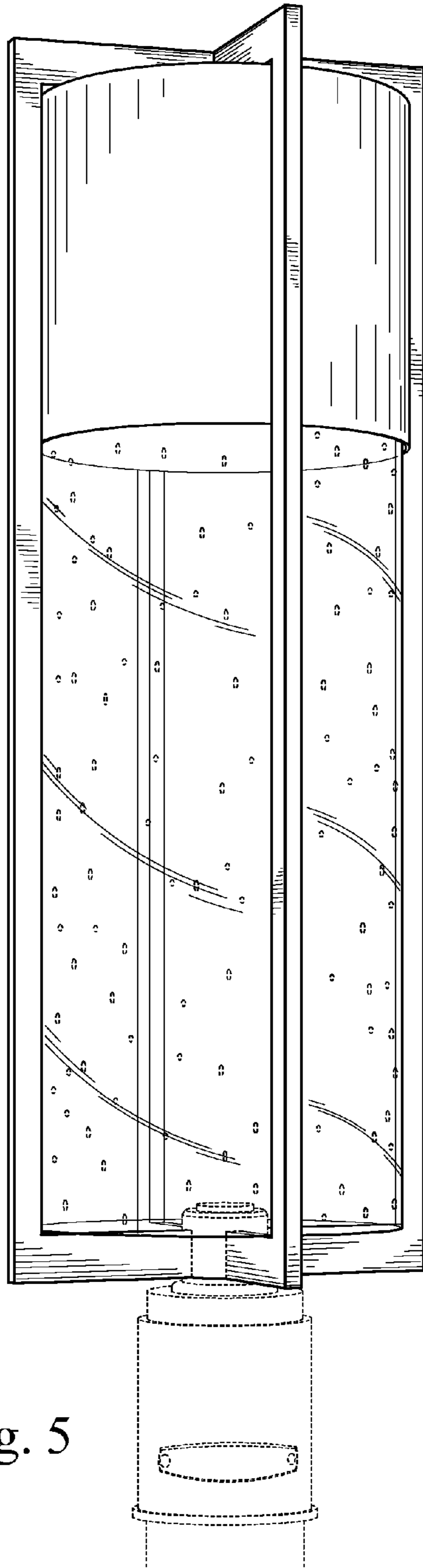


Fig. 5

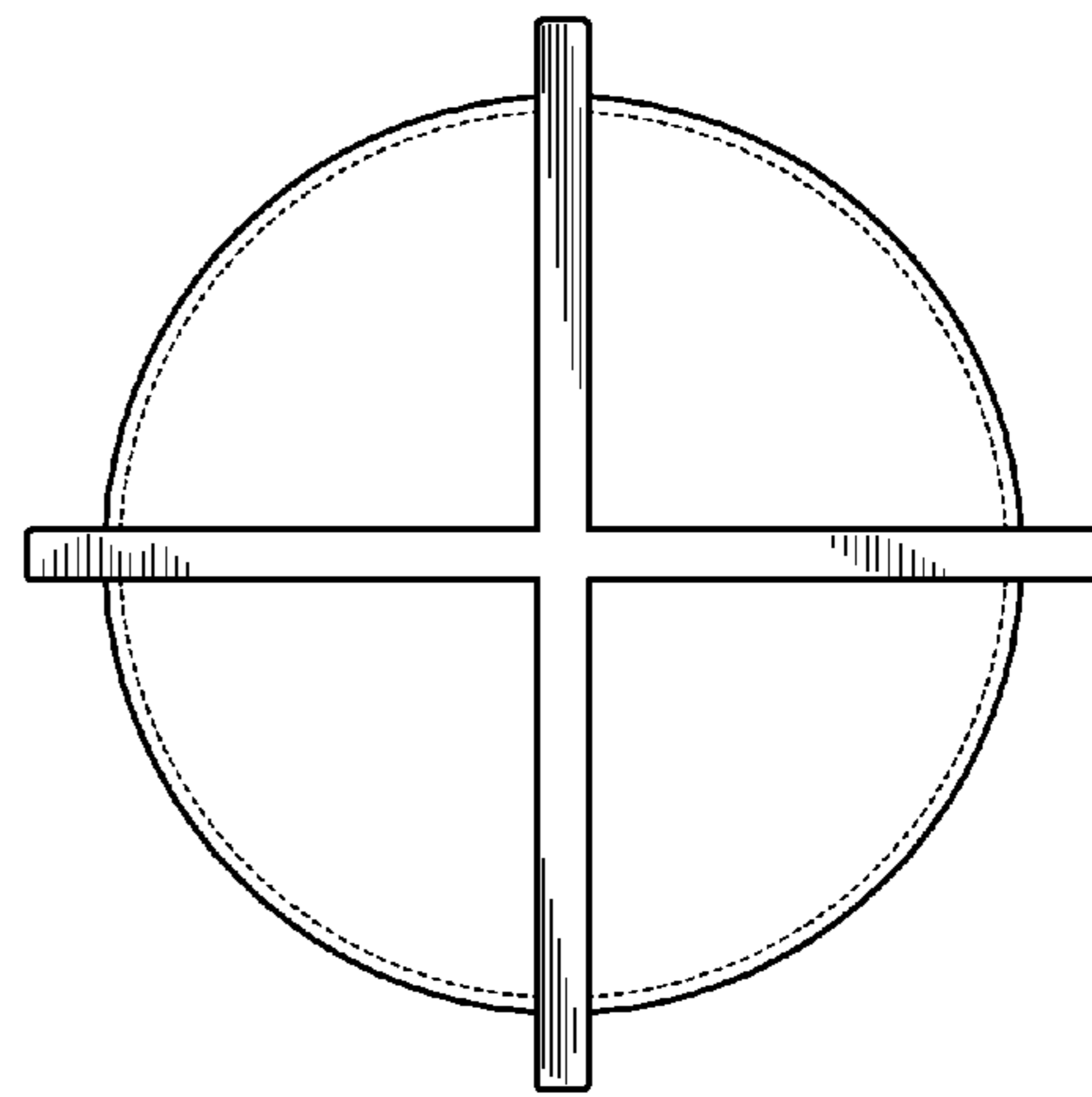


Fig. 6

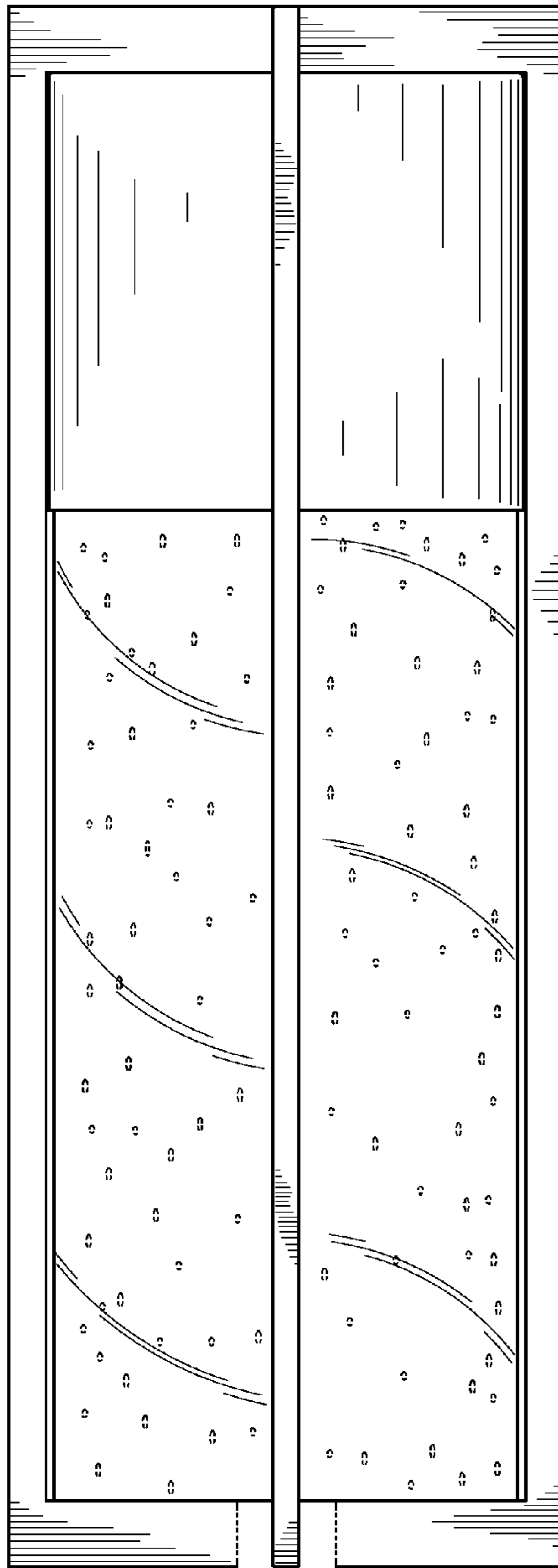


Fig. 7

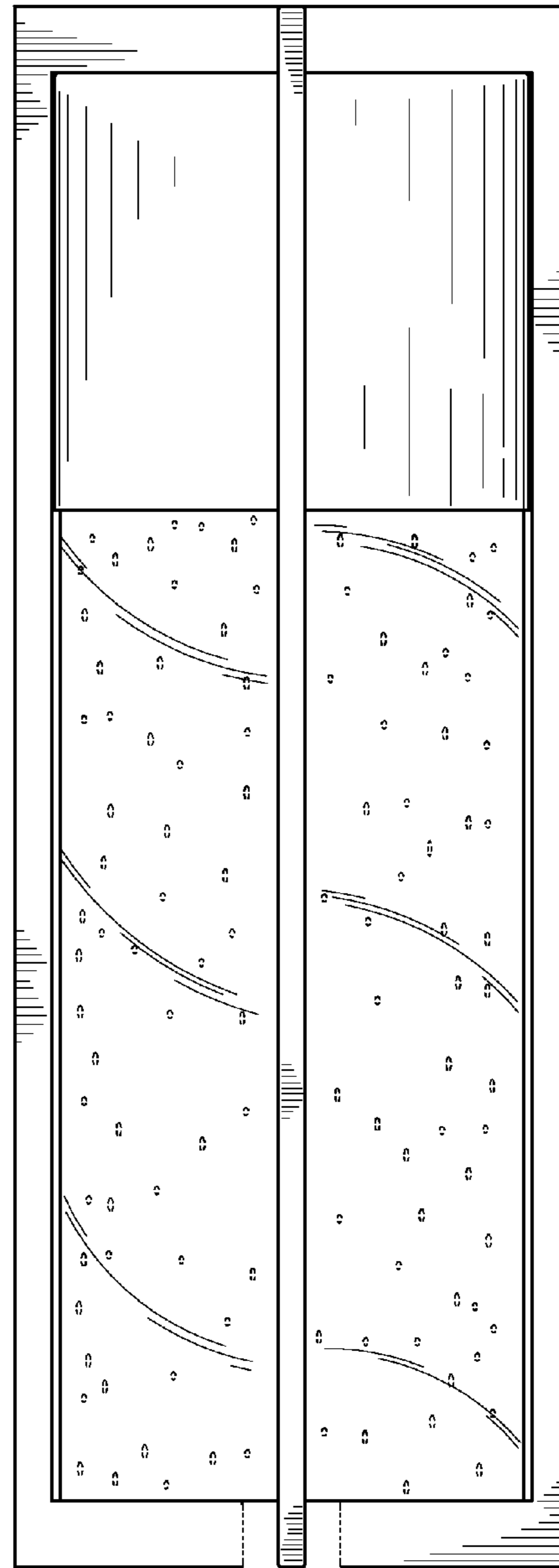


Fig. 8

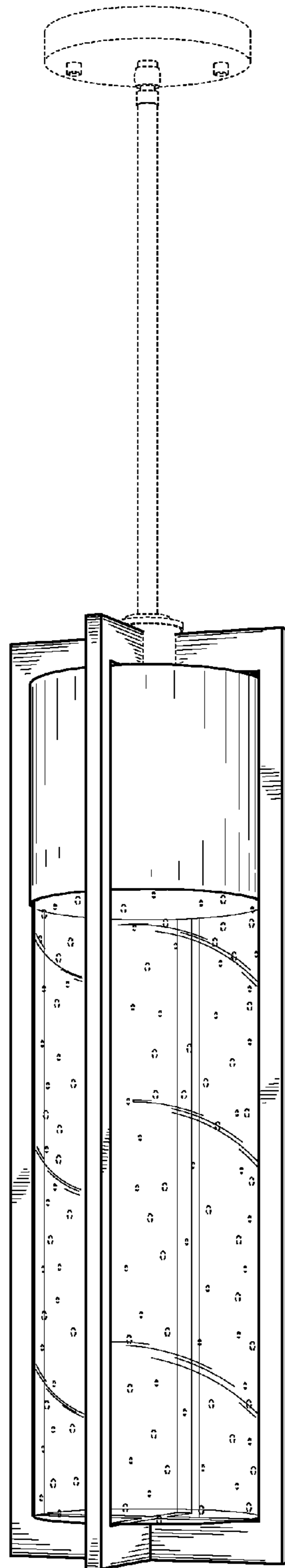


Fig. 9

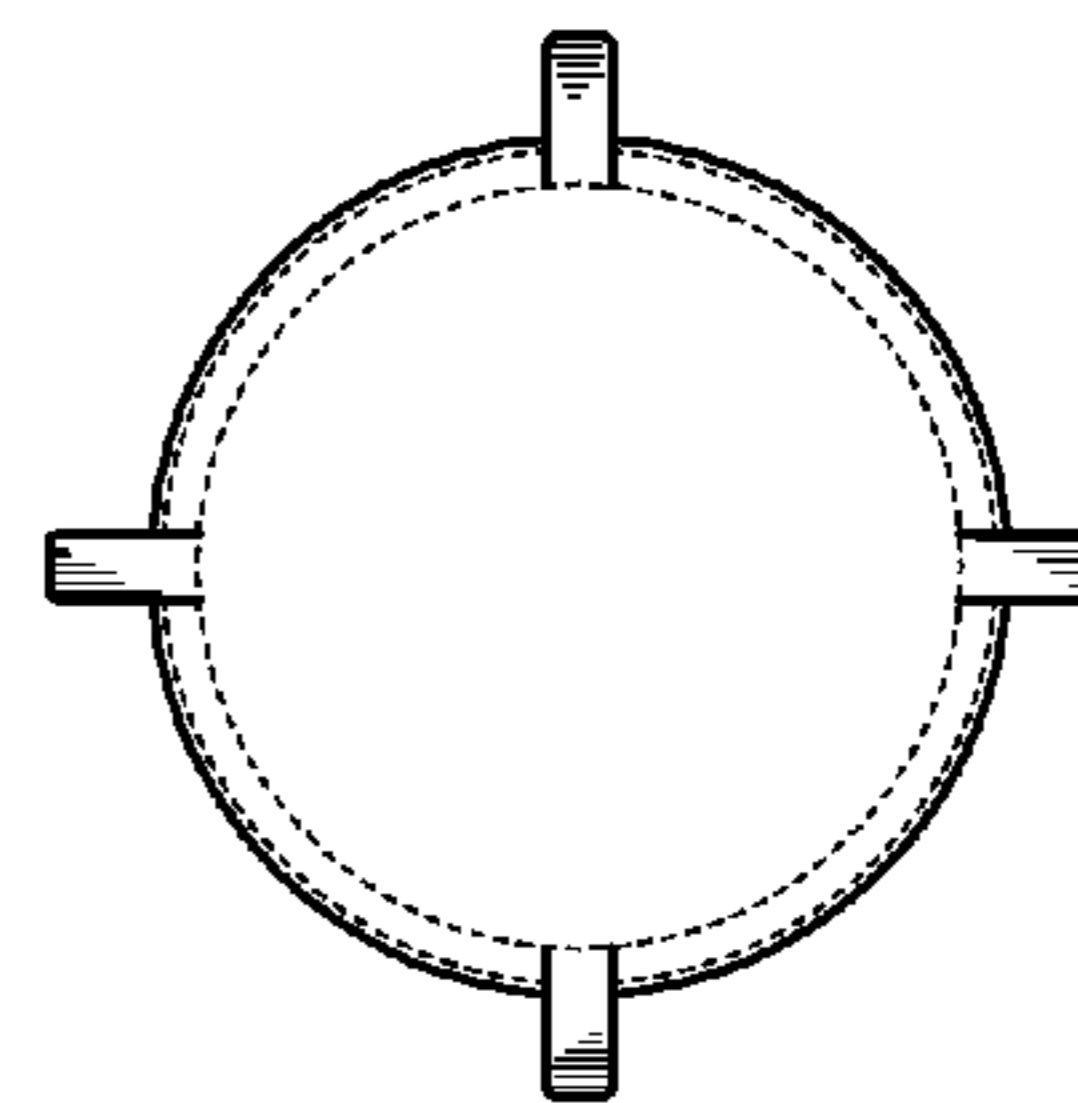


Fig. 10

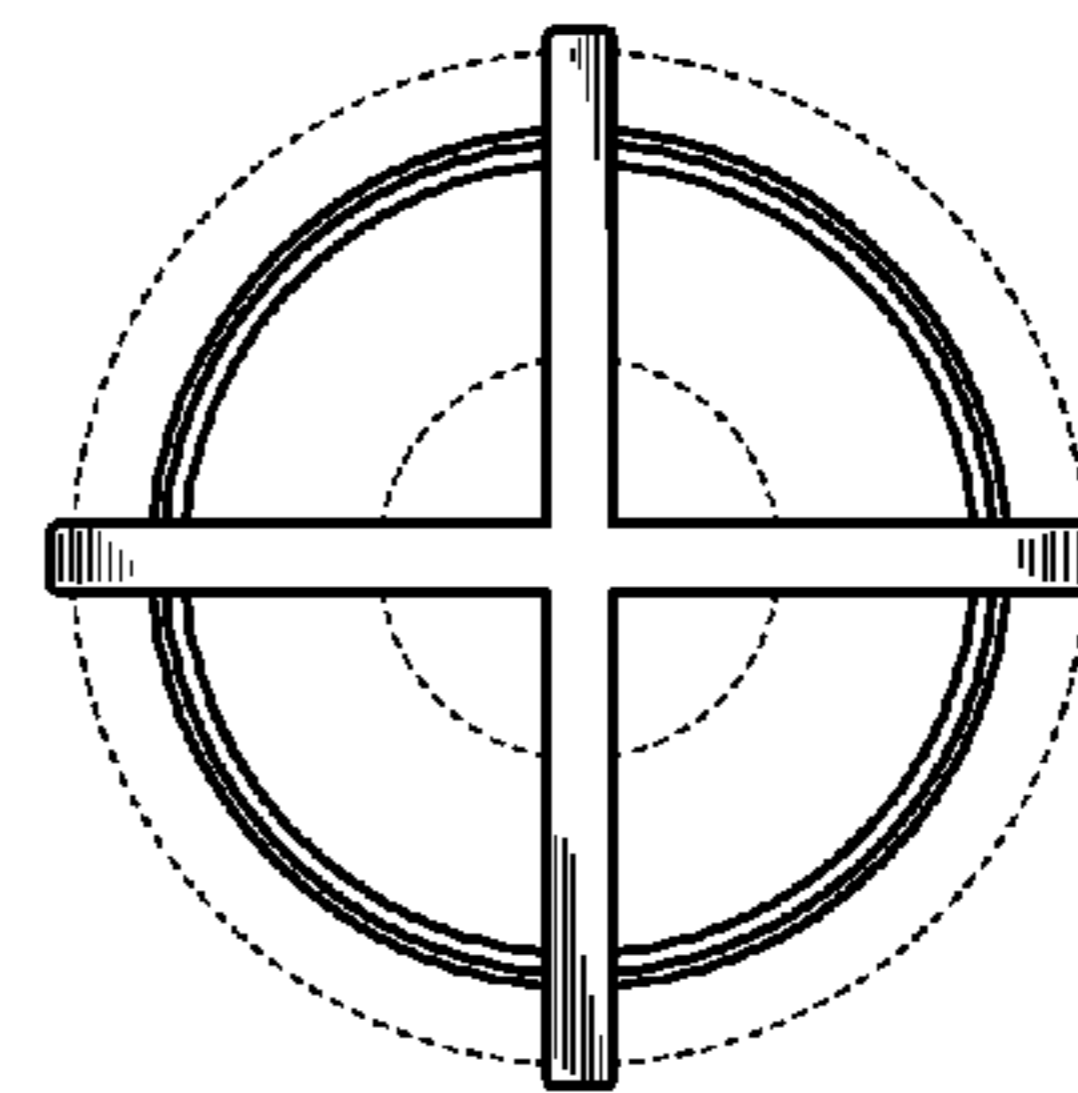


Fig. 11

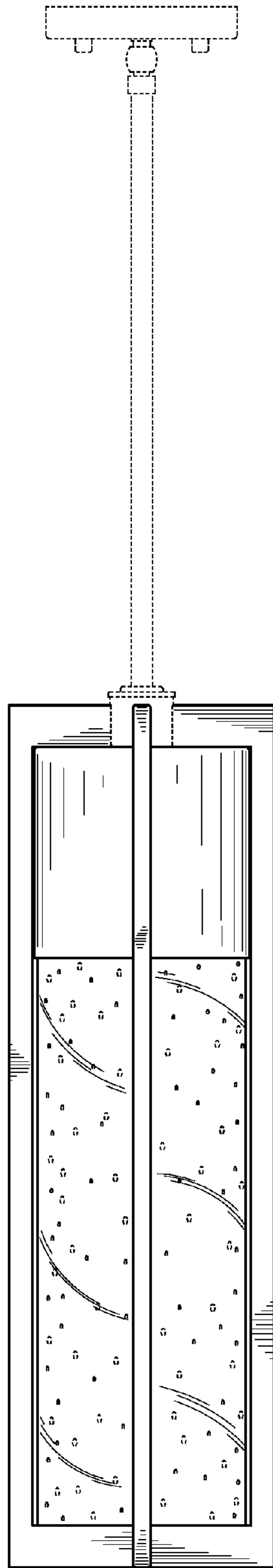


Fig. 12

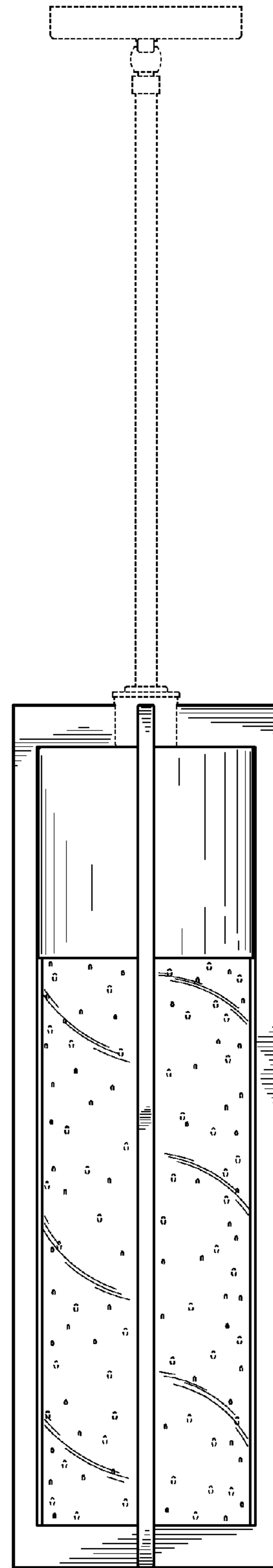


Fig. 13



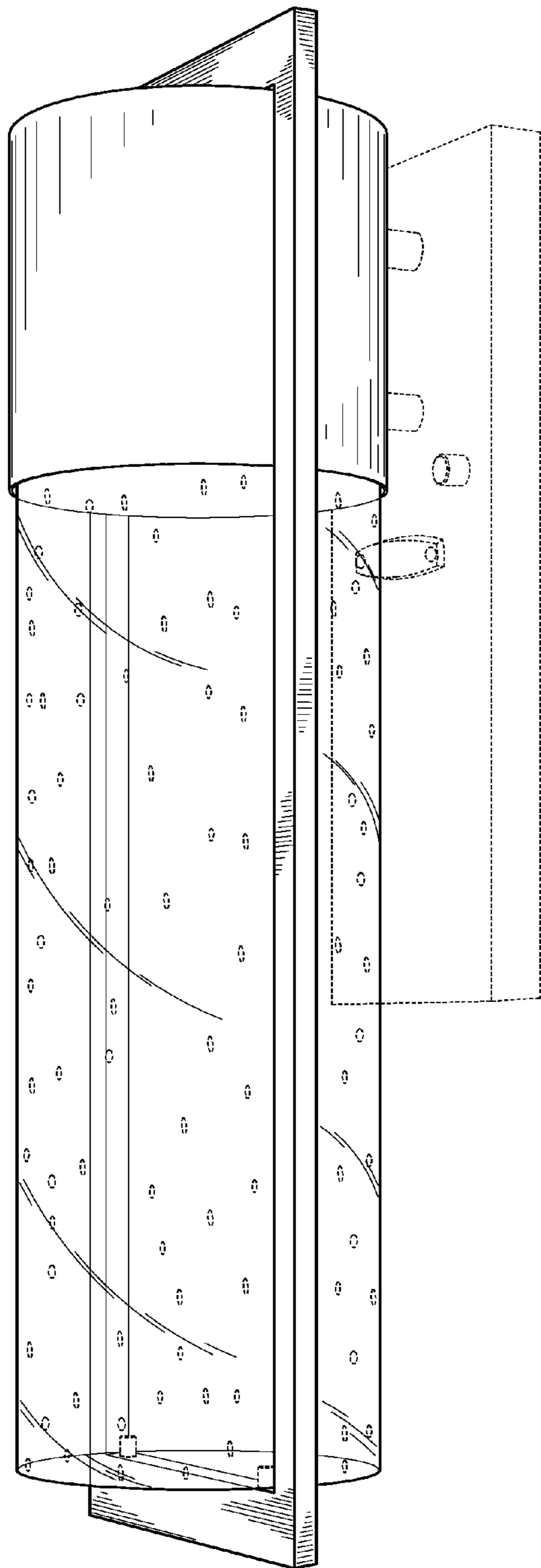


Fig. 14

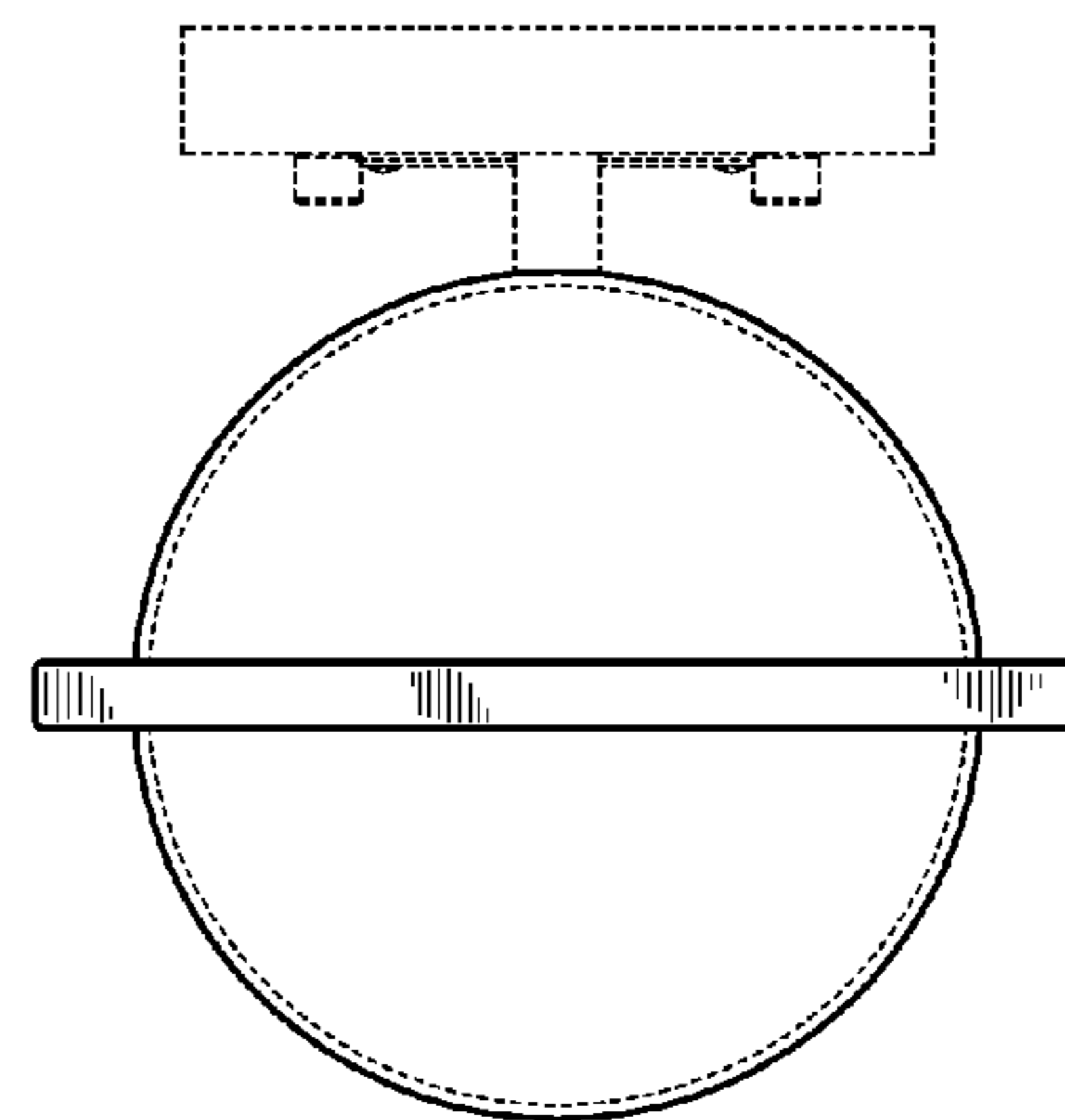


Fig. 15

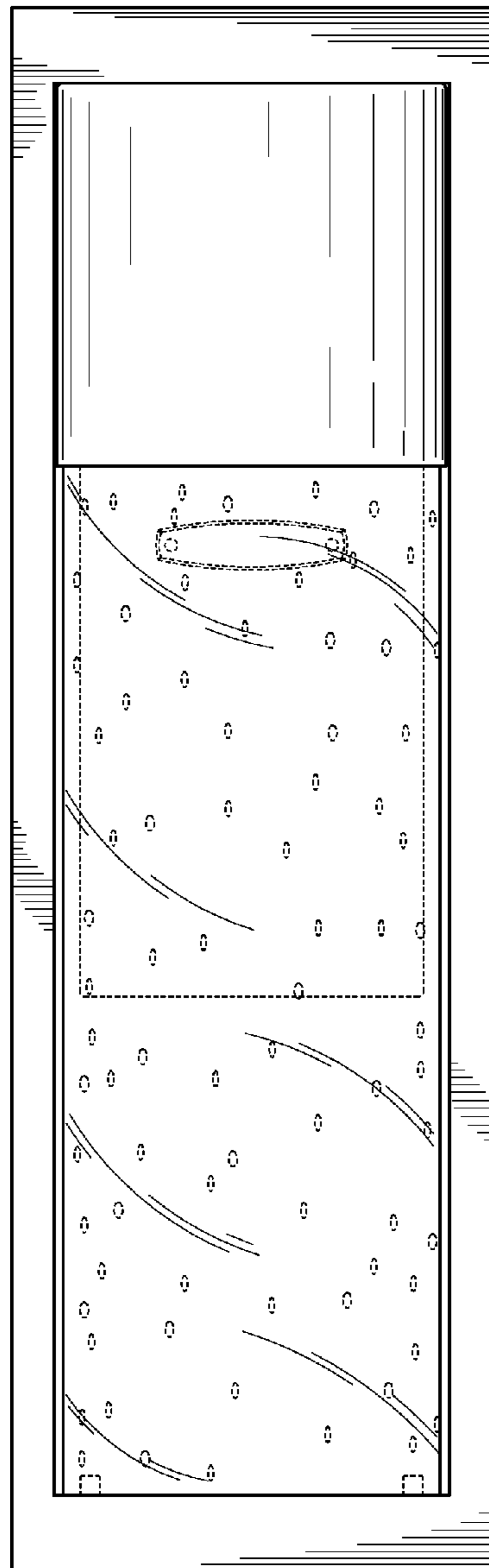


Fig. 16

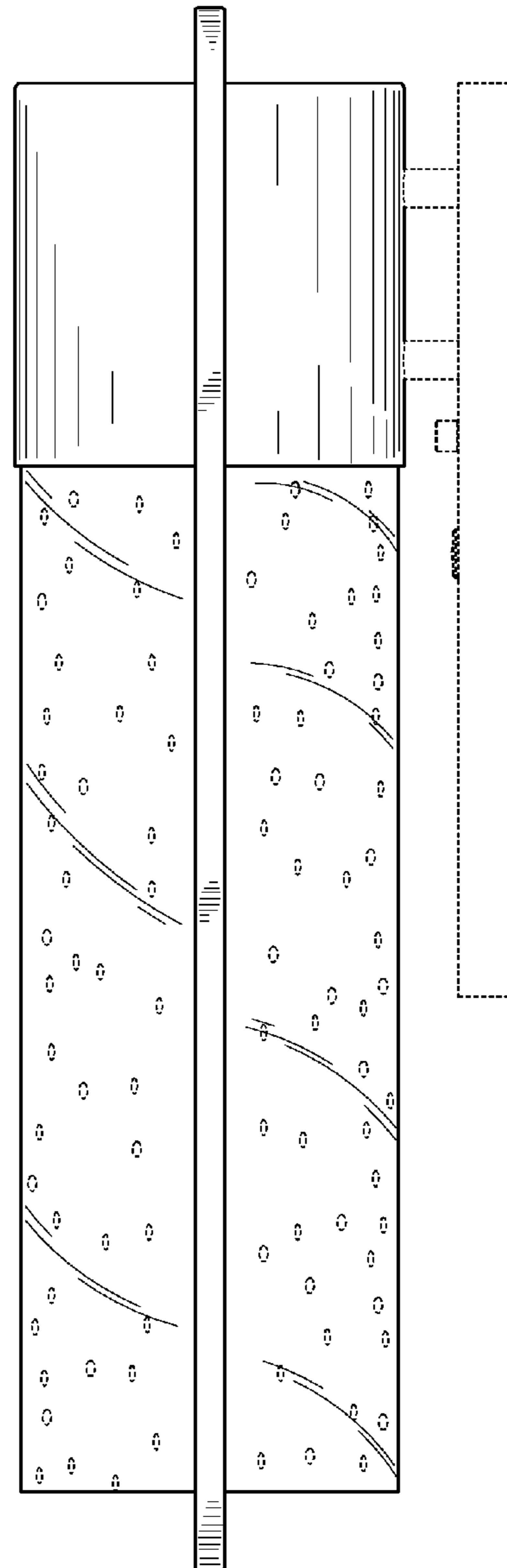


Fig. 17

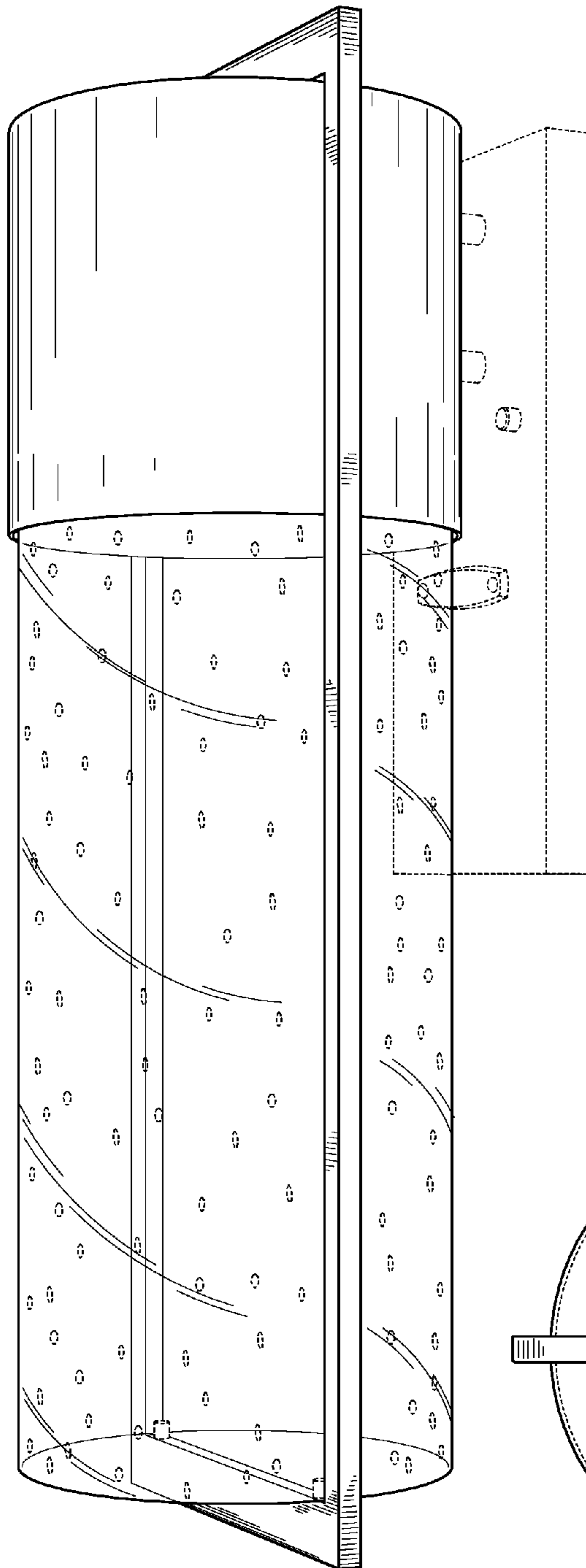


Fig. 18

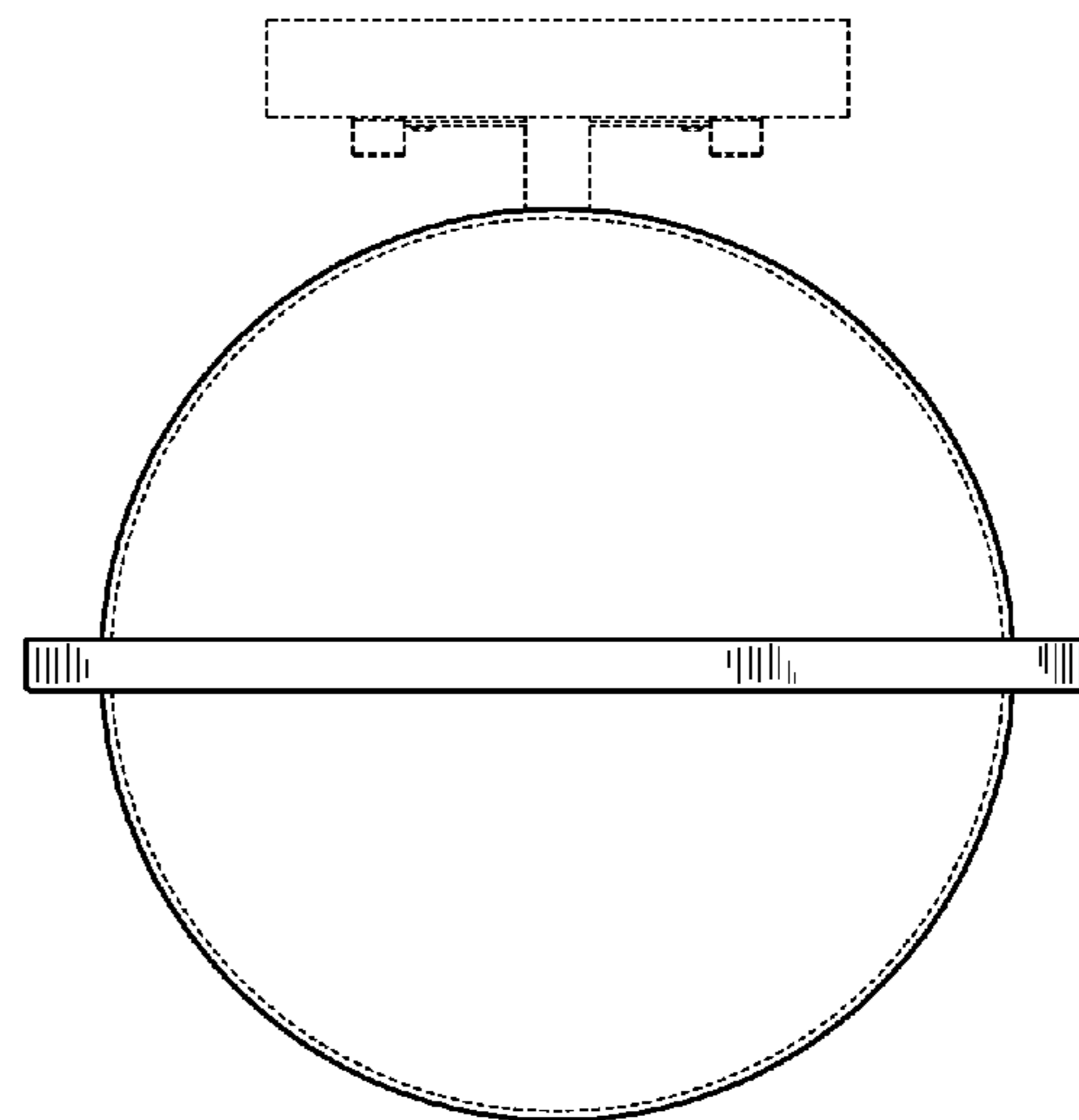


Fig. 19

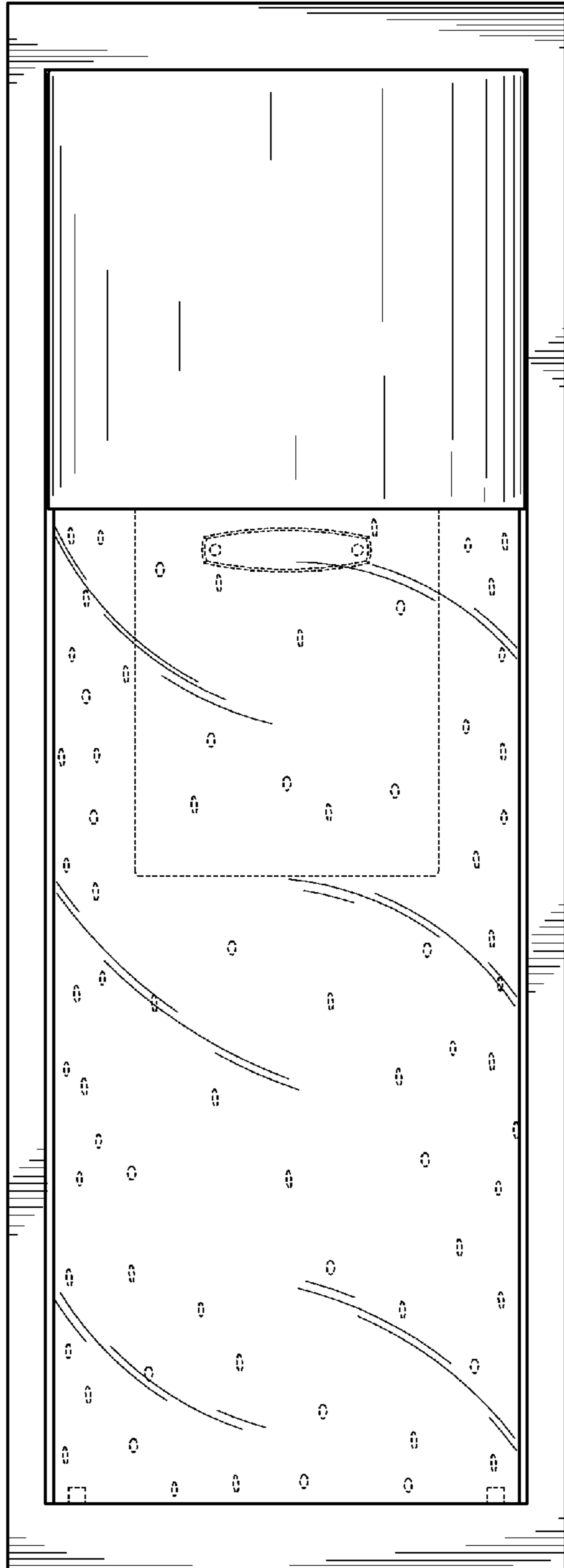


Fig. 20

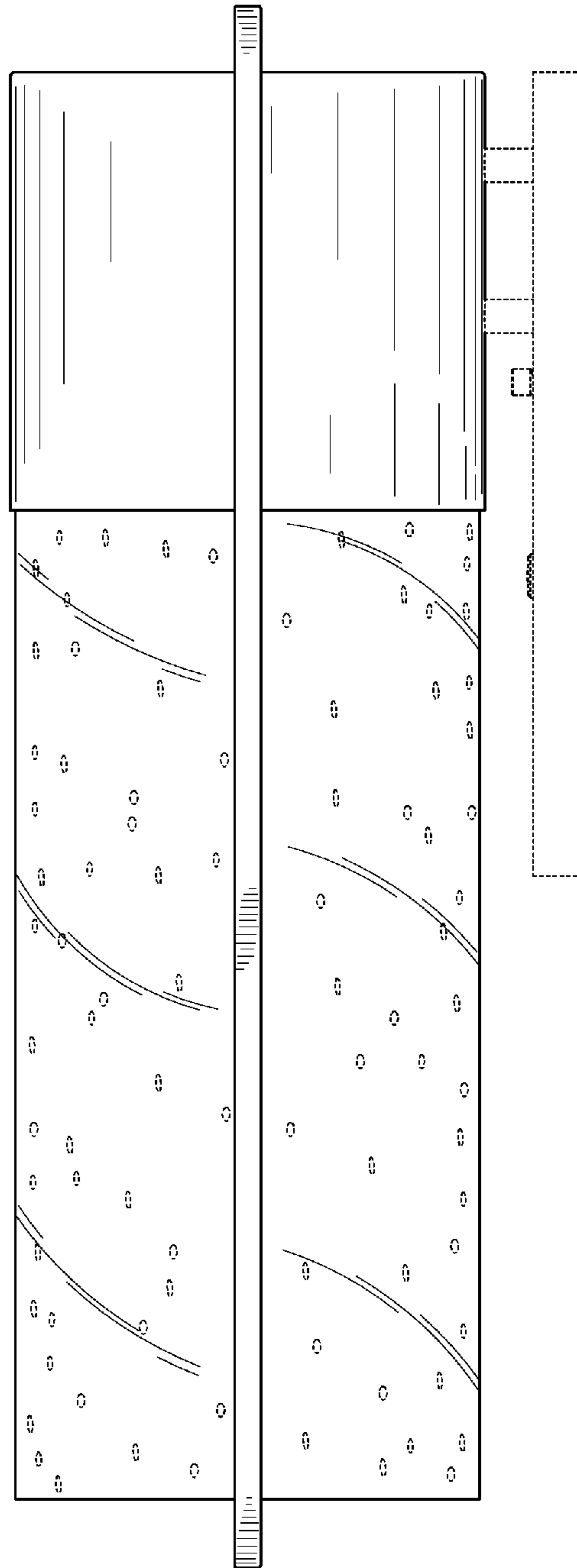


Fig. 21

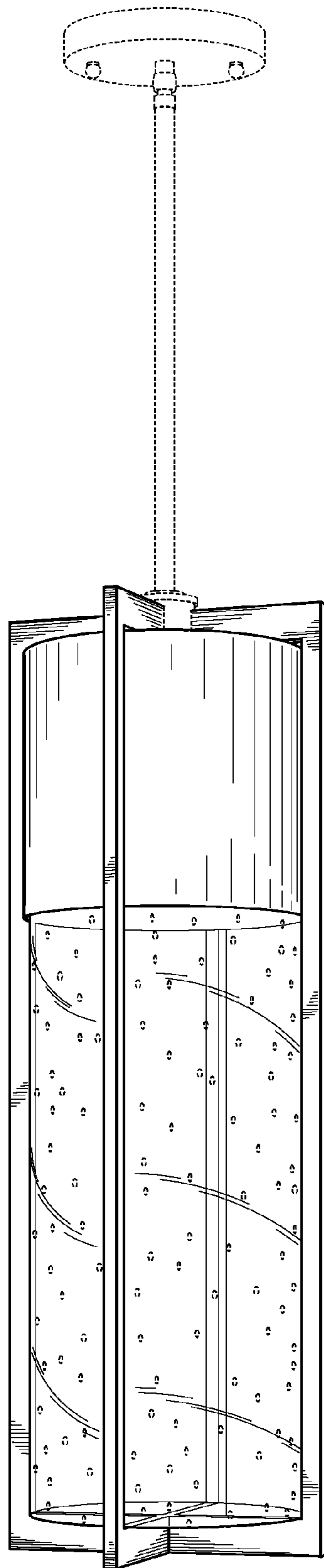


Fig. 22

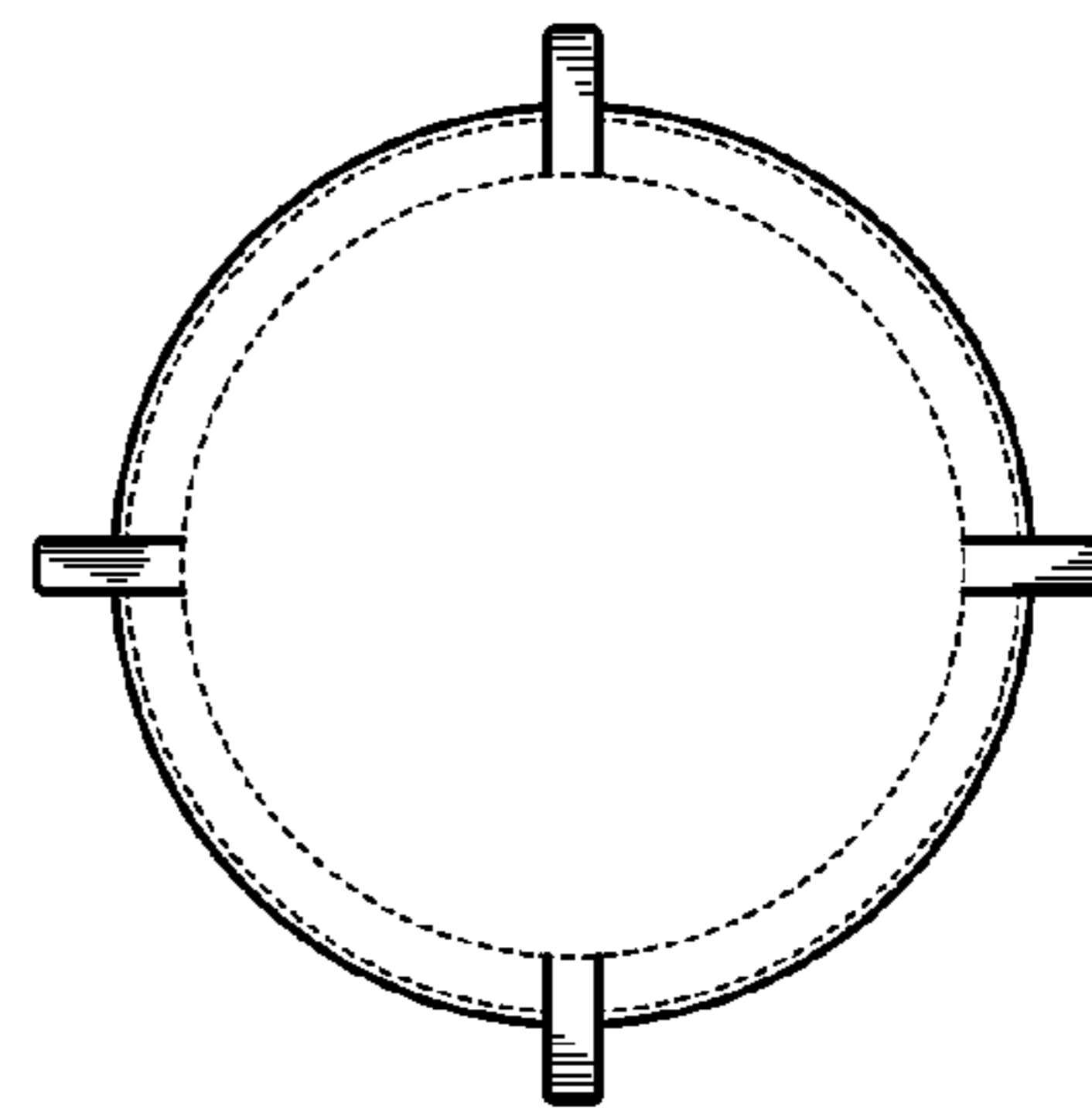


Fig. 23

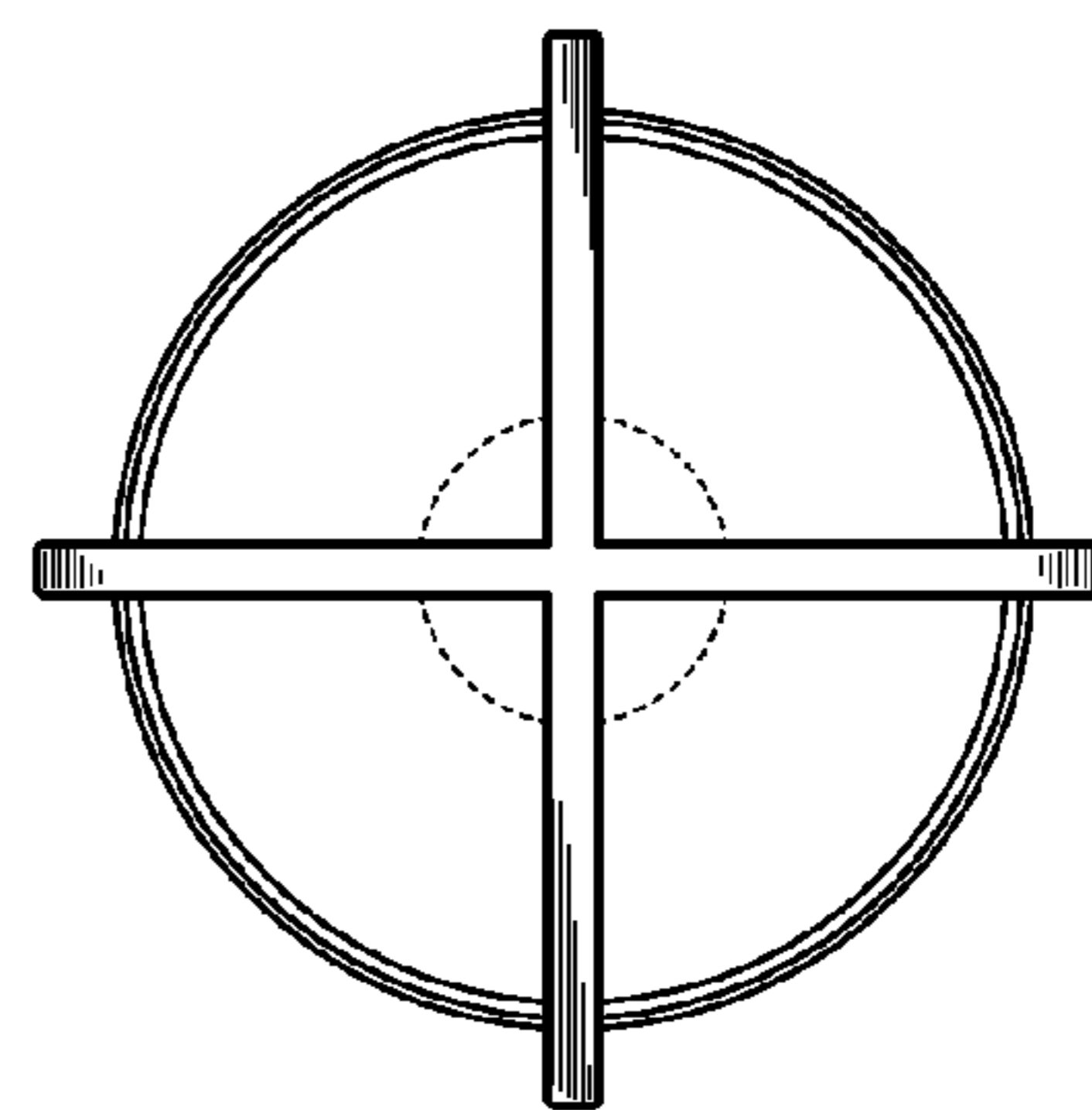


Fig. 24

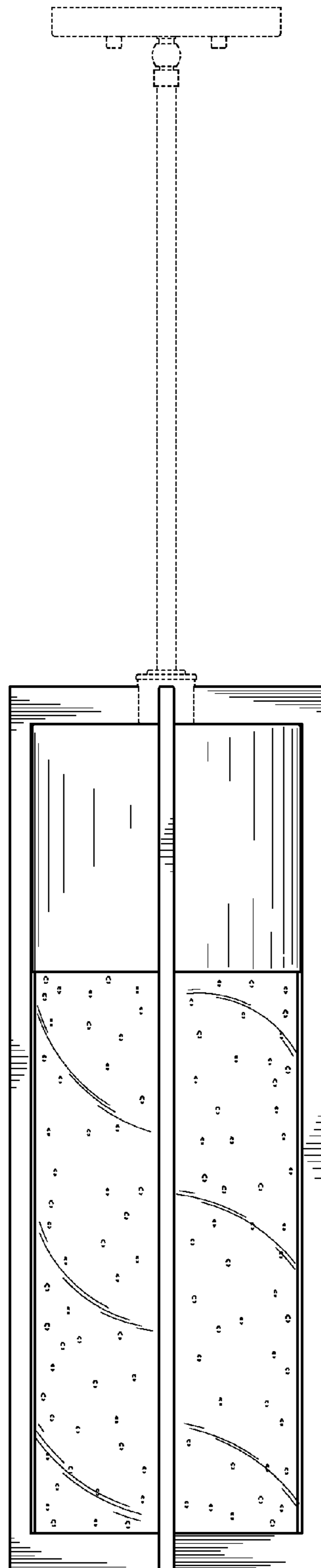


Fig. 25

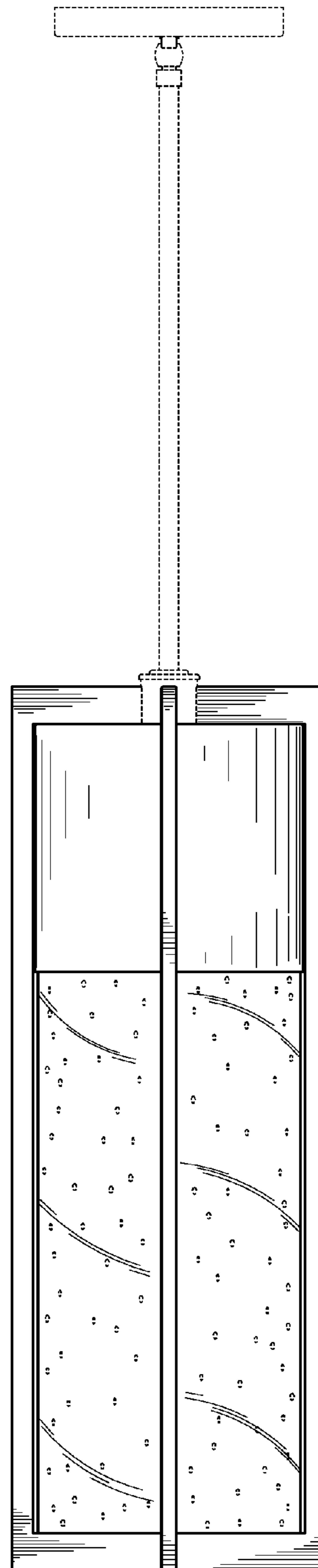


Fig. 26