



US00D688412S

(12) **United States Design Patent**
Heim et al.

(10) **Patent No.:** **US D688,412 S**

(45) **Date of Patent:** **** Aug. 20, 2013**

(54) **POLE MOUNT LIGHT**

(75) Inventors: **Matthew Heim**, Ventura, CA (US);
Aaron Prichard, Ojai, CA (US)

(73) Assignee: **The Sloan Company, Inc.**, Ventura, CA (US)

(**) Term: **14 Years**

(21) Appl. No.: **29/410,142**

(22) Filed: **Jan. 4, 2012**

(51) **LOC (9) Cl.** **26-99**

(52) **U.S. Cl.**
USPC **D26/120**

(58) **Field of Classification Search**
USPC D26/63, 67-71, 92, 118, 120, 138;
362/249.01-249.06, 294, 373, 431
See application file for complete search history.

(56) **References Cited**

U.S. PATENT DOCUMENTS

D120,773 S *	5/1940	Arenberg	D26/120
D188,212 S *	6/1960	Ruppe	D26/120
D195,310 S *	5/1963	Zagel	D26/70
D208,491 S *	9/1967	Brooks	D26/71
3,358,408 A *	12/1967	Cooper, Jr. et al.	D26/120
D214,939 S *	8/1969	Arrigoni	D26/120
4,428,454 A *	1/1984	Capaul et al.	52/144
D442,313 S *	5/2001	Wojtkowiak et al.	D26/71
D522,975 S *	6/2006	Egawa et al.	D13/180
D539,943 S *	4/2007	Egawa et al.	D26/24
D556,935 S *	12/2007	Quioque et al.	D26/71
D573,741 S *	7/2008	Lou	D26/71
D574,994 S *	8/2008	Boyer	D26/120
D606,703 S *	12/2009	Sugishita et al.	D26/120
D609,384 S *	2/2010	Gray et al.	D26/71
D613,445 S *	4/2010	Beghelli	D26/74
D630,790 S *	1/2011	Josefowicz et al.	D26/71
D634,873 S *	3/2011	Guercio	D26/71

D641,908 S *	7/2011	Mckee	D26/71
D647,245 S *	10/2011	Kim et al.	D26/120
D666,348 S *	8/2012	Wang	D26/71
D668,370 S *	10/2012	Guercio et al.	D26/71
2006/0000920 A1 *	1/2006	Leonard	239/34
2010/0165627 A1 *	7/2010	Wung et al.	362/249.02

OTHER PUBLICATIONS

Challenger Datasheet; LSI Industries; Dec. 6, 2011, 2 pgs.
LED Enterprise Decorative Area Lights (XENM3) Datasheet; Crossover LED Lighting Technology; LSI Industries; Oct. 4, 2012; 2 pgs.
Crossover—Generation 3 Brochure; Crossover LED Lighting Technology; LSI Industries; 2011 Edition; pp. 1-20.

(Continued)

Primary Examiner — Clare E Heflin

(74) *Attorney, Agent, or Firm* — Koppel, Patrick, Heybl & Philpott

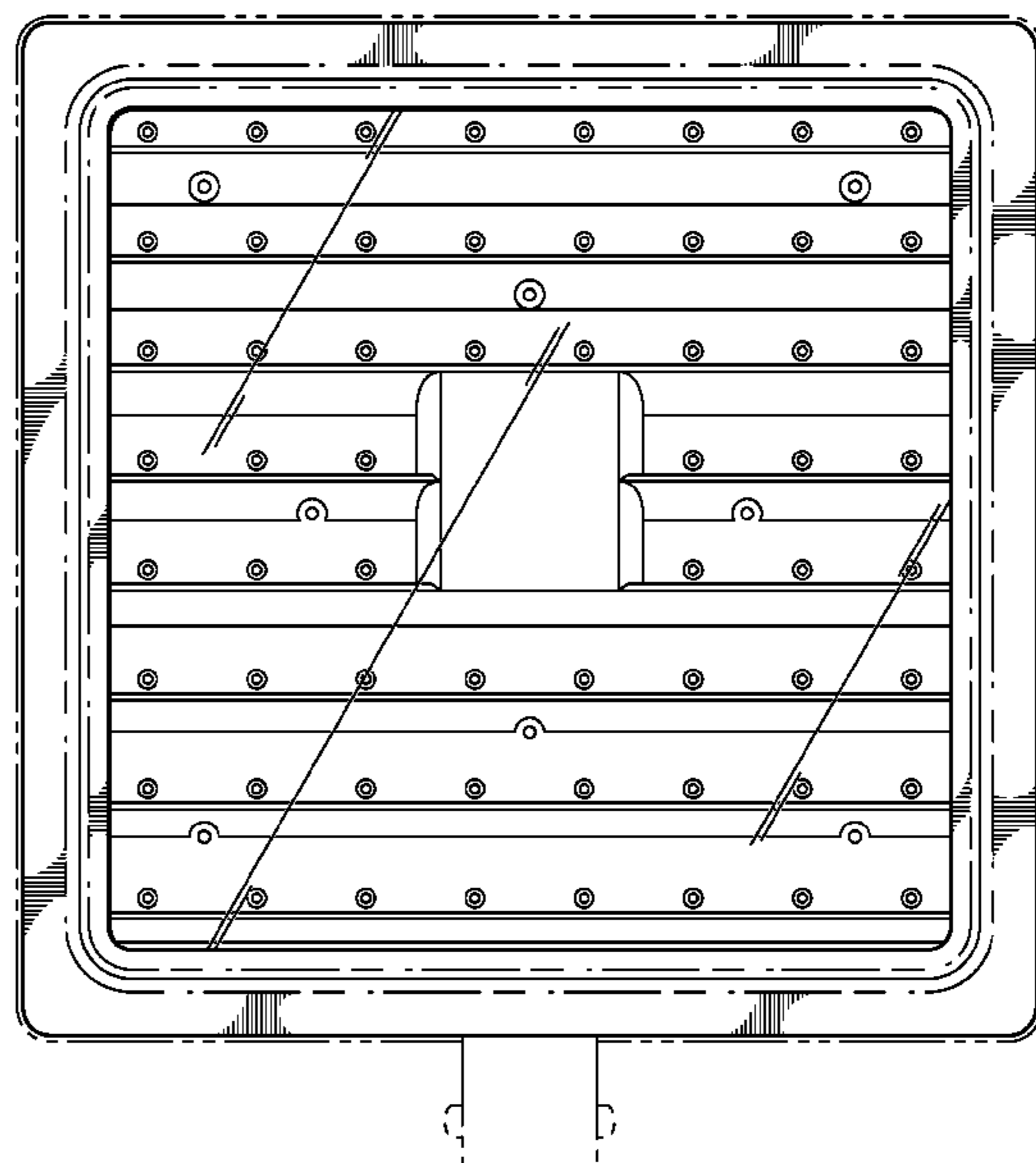
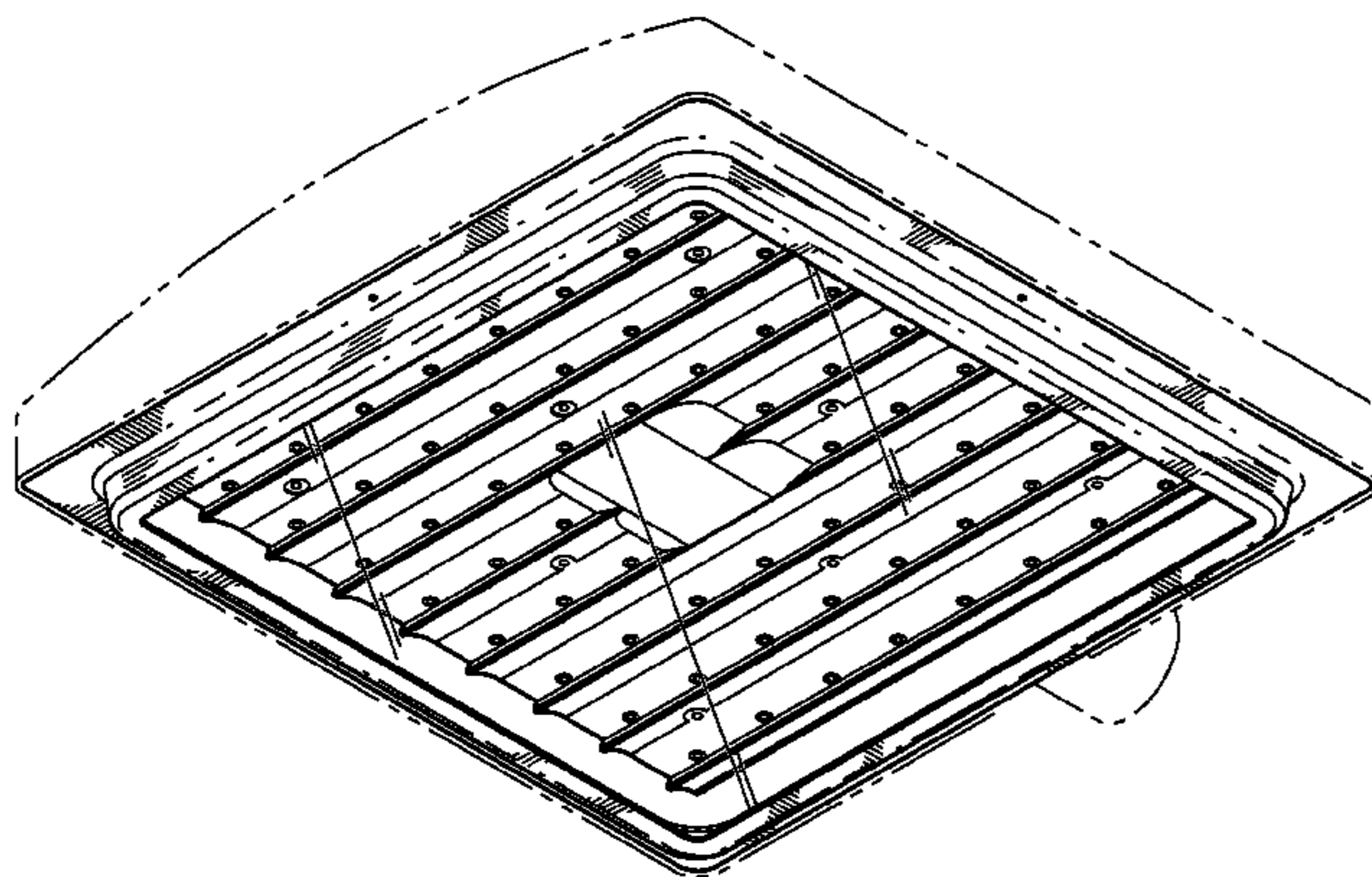
(57) **CLAIM**

The ornamental design for a pole mount light, as shown and described herein.

DESCRIPTION

FIG. 1 is a perspective view of a pole mount light according to an embodiment of the present invention.
FIG. 2 is a front elevation view of a pole mount light according to an embodiment of the present invention.
FIG. 3 is a rear elevation view of a pole mount light according to an embodiment of the present invention.
FIG. 4 is a side elevation view of a pole mount light according to an embodiment of the present invention.
FIG. 5 is a top plan view of a pole mount light according to an embodiment of the present invention; and,
FIG. 6 is a bottom plan view of a pole mount light according to an embodiment of the present invention.
The broken lines shown on the drawings depict environmental subject matter only and form no part of the claimed design.

1 Claim, 3 Drawing Sheets



(56)

References Cited

OTHER PUBLICATIONS

Evolve LED Area Light—Modular Fixture—Small & Medium (EASM & EAMM); GE Lighting Solutions; Nov. 28, 2012; 8 pgs.
Heritage Datasheet; LSI Industries; Dec. 6, 2011; 2 pgs.
Patriot Series Brochure—Specification-Grade Area Lighting; LSI Lighting Solutions Plus; Dec. 2011; 4 pgs.

LED Area Lights—Medium (XAM3) Datasheet; Crossover LED Lighting Technology; LSI Industries; Oct. 4, 2012; 2 pgs.
LED Area Lights—XGB3 128 LED Datasheet; Crossover LED Lighting Technology; LSI Industries; Jan. 30, 2013; 2 pgs.
LED Area Lights—XPT3 LED Patriot Datasheet; Crossover LED Lighting Technology; LSI Industries; Mar. 14, 2013; 2 pgs.

* cited by examiner

FIG. 1

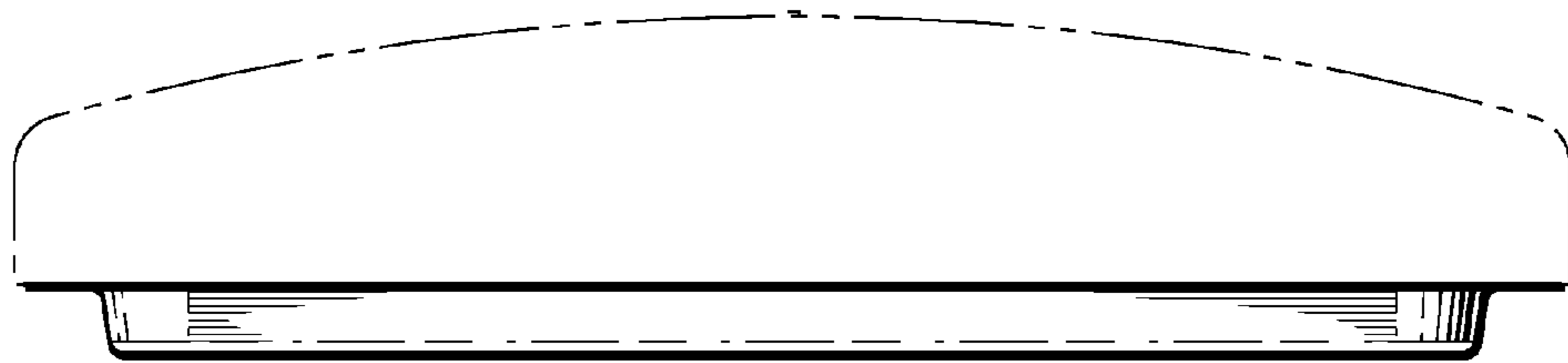
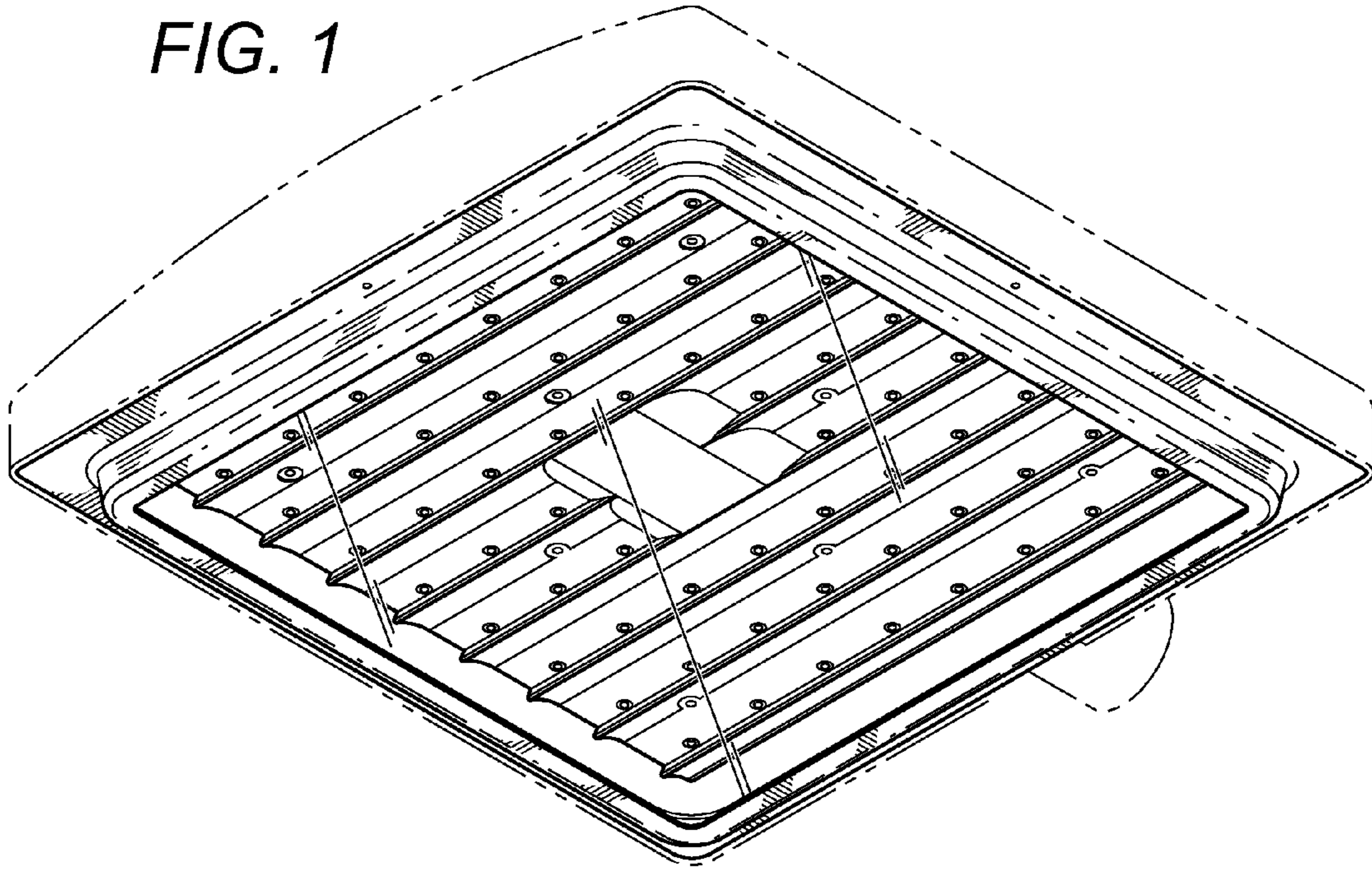


FIG. 2

FIG. 3

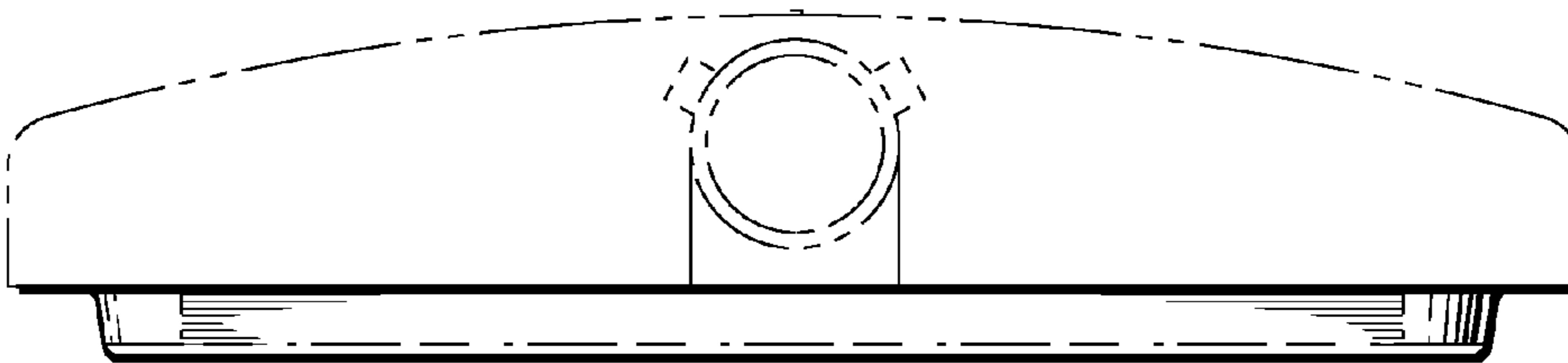




FIG. 4

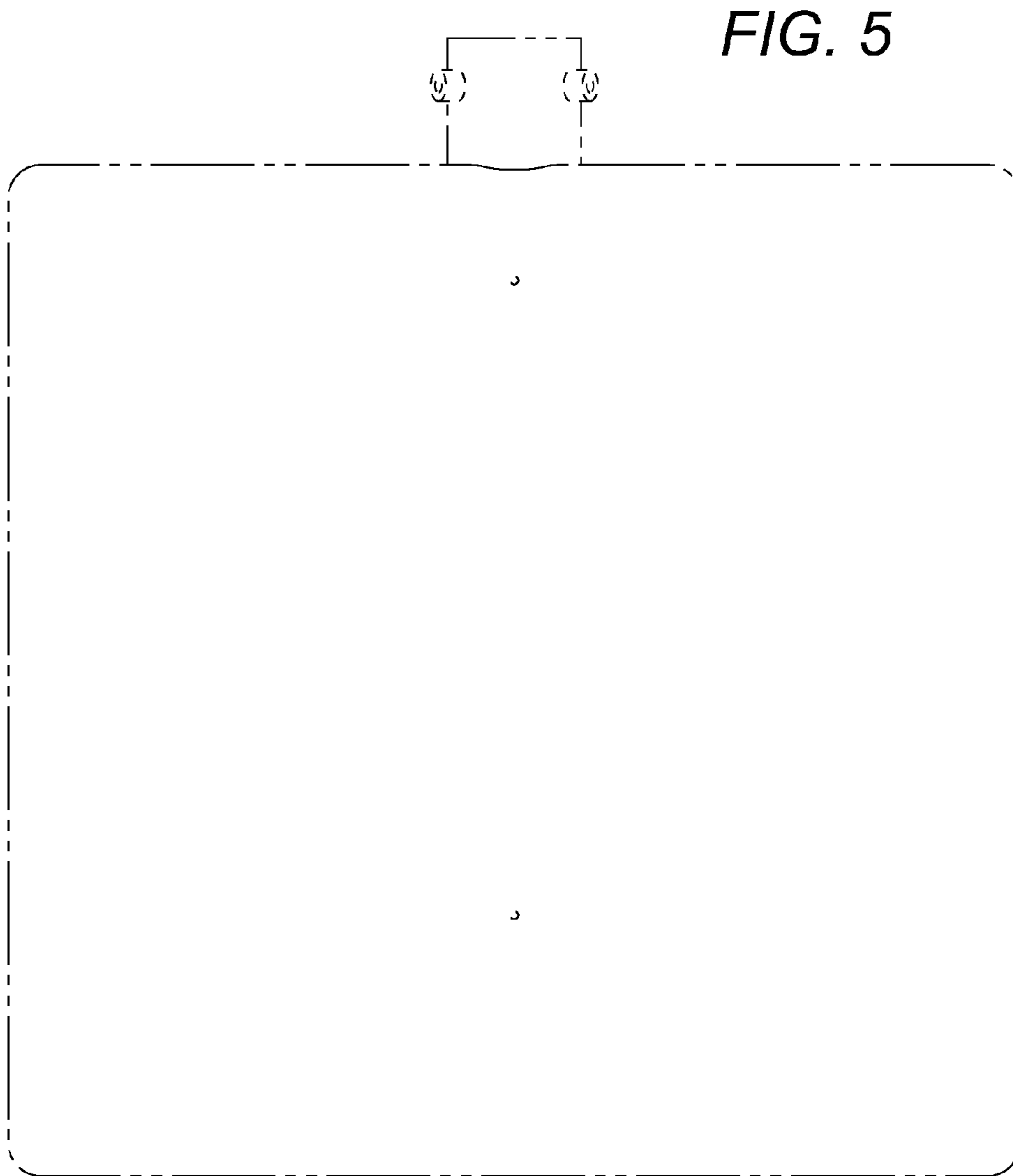


FIG. 5

FIG. 6

