



US00D688410S

(12) **United States Design Patent**  
**Ng**

(10) **Patent No.:** **US D688,410 S**

(45) **Date of Patent:** **\*\* Aug. 20, 2013**

(54) **LAMP**

(75) Inventor: **Edmund Ng**, Pasadena, CA (US)

(73) Assignee: **Koncept Technologies Inc.**, Monrovia, CA (US)

(\*\*) Term: **14 Years**

(21) Appl. No.: **29/423,456**

(22) Filed: **May 31, 2012**

(51) **LOC (9) Cl.** ..... **26-03**

(52) **U.S. Cl.**  
USPC ..... **D26/93**

(58) **Field of Classification Search**  
USPC ..... D26/1, 24, 5, 67, 93-94, 101, 104-110,  
D26/113, 118; 362/3, 153, 186, 217, 255,  
362/257, 277, 317, 351, 353, 362, 363, 382,  
362/431, 433, 458, 806; D6/534;  
D11/153-154; D25/58, 106

See application file for complete search history.

(56) **References Cited**

U.S. PATENT DOCUMENTS

|              |        |                      |         |
|--------------|--------|----------------------|---------|
| D280,554 S * | 9/1985 | Alessandro .....     | D26/110 |
| D357,763 S * | 4/1995 | Chan .....           | D26/106 |
| D501,575 S * | 2/2005 | Chandler .....       | D26/106 |
| D639,987 S * | 6/2011 | Federico et al. .... | D26/93  |

\* cited by examiner

*Primary Examiner* — Brian N Vinson

(74) *Attorney, Agent, or Firm* — Foley & Lardner LLP

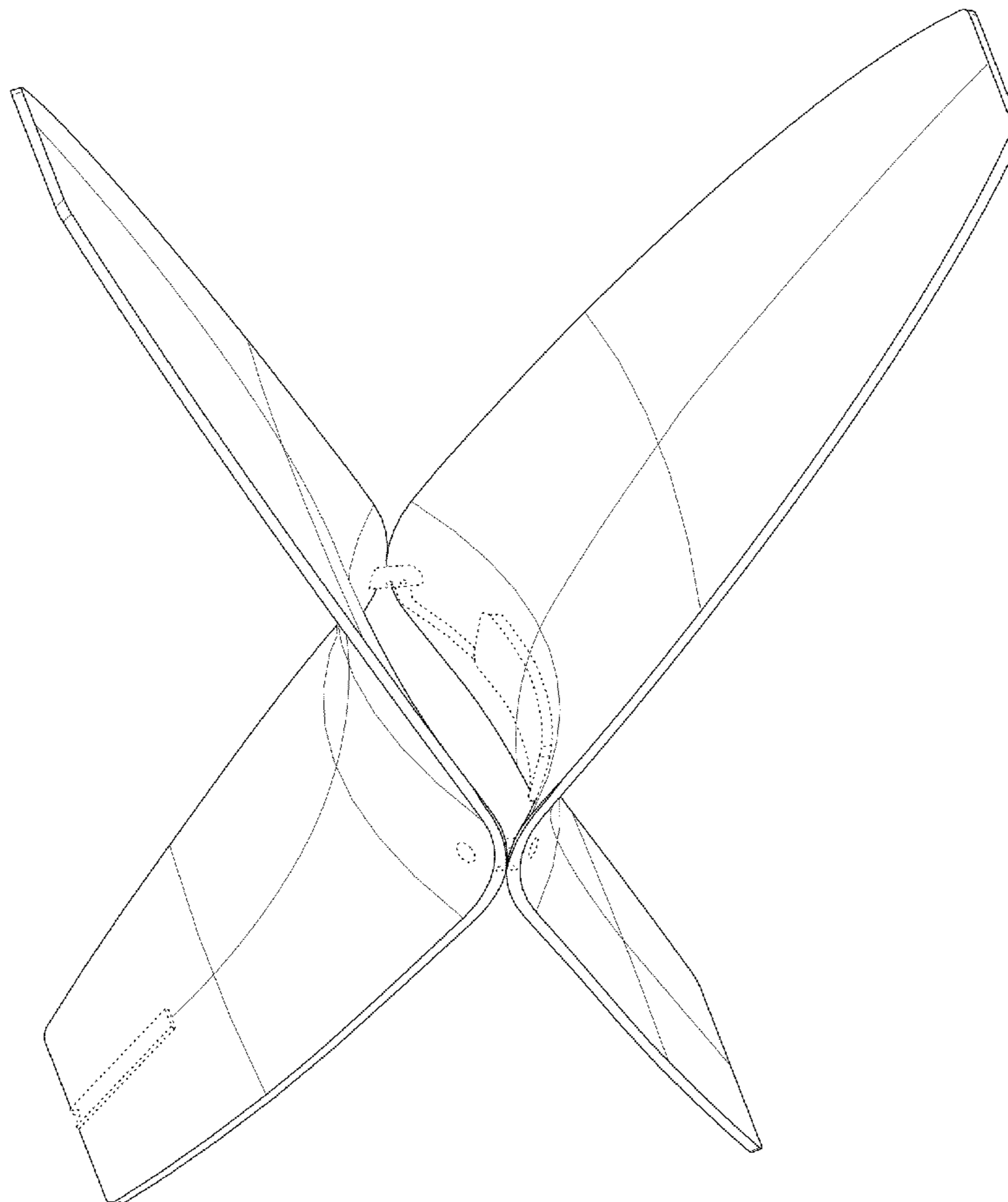
(57) **CLAIM**

The ornamental design for a lamp, as shown.

**DESCRIPTION**

FIG. 1 is a perspective view of a lamp showing our new design;  
FIG. 2 is a left view thereof;  
FIG. 3 is a right view thereof;  
FIG. 4 is a front view thereof;  
FIG. 5 is a rear view thereof  
FIG. 6 is a top view thereof; and,  
FIG. 7 is a bottom view thereof.  
The portions of the lamp shown in broken lines form no part of the claimed design.

**1 Claim, 7 Drawing Sheets**



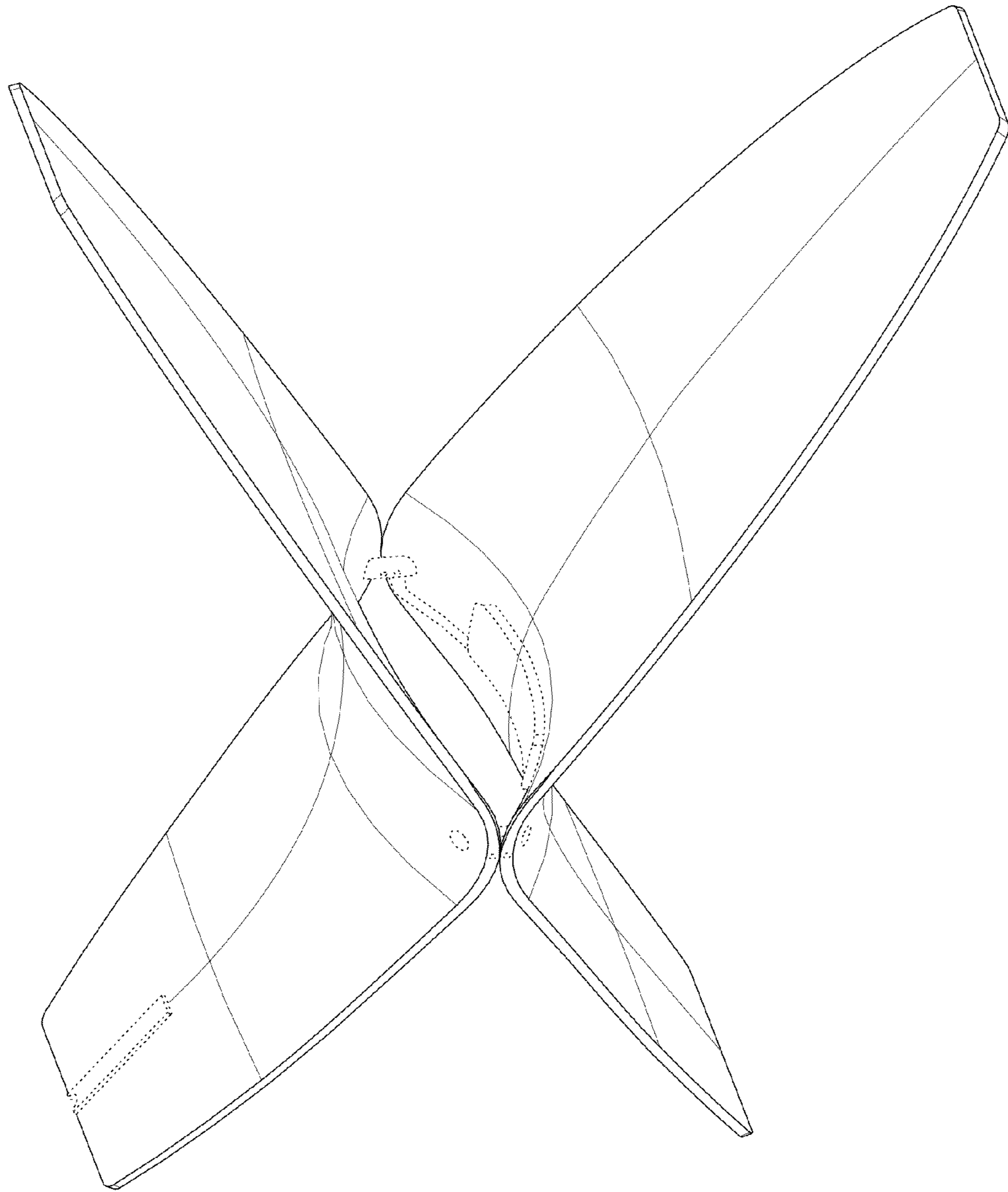


FIG. 1

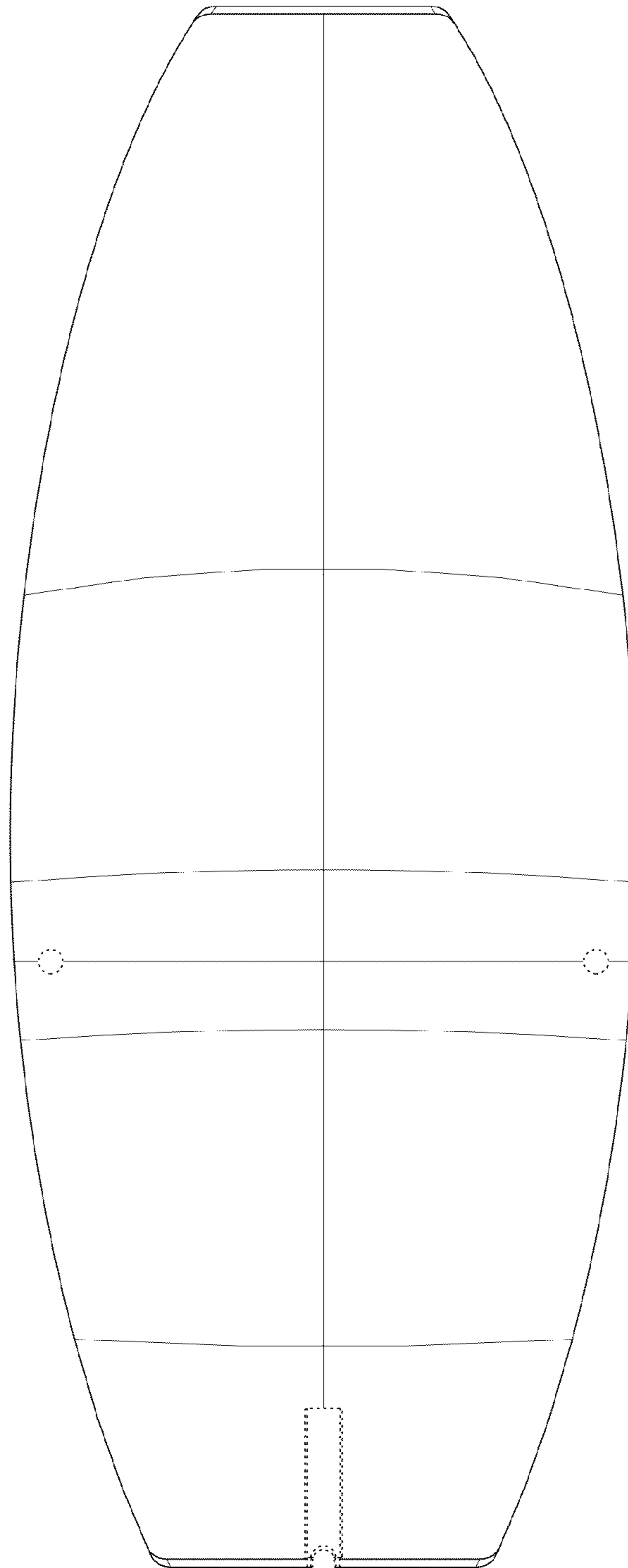


FIG. 2

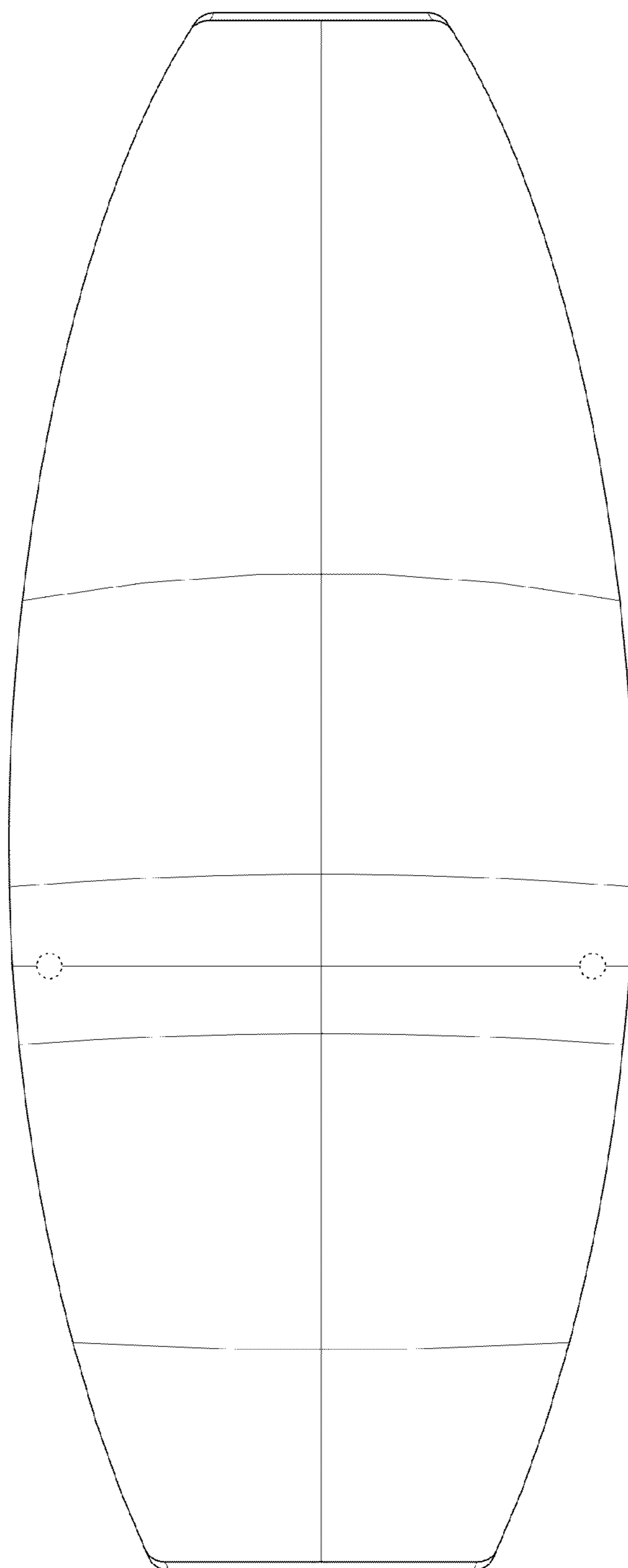


FIG. 3

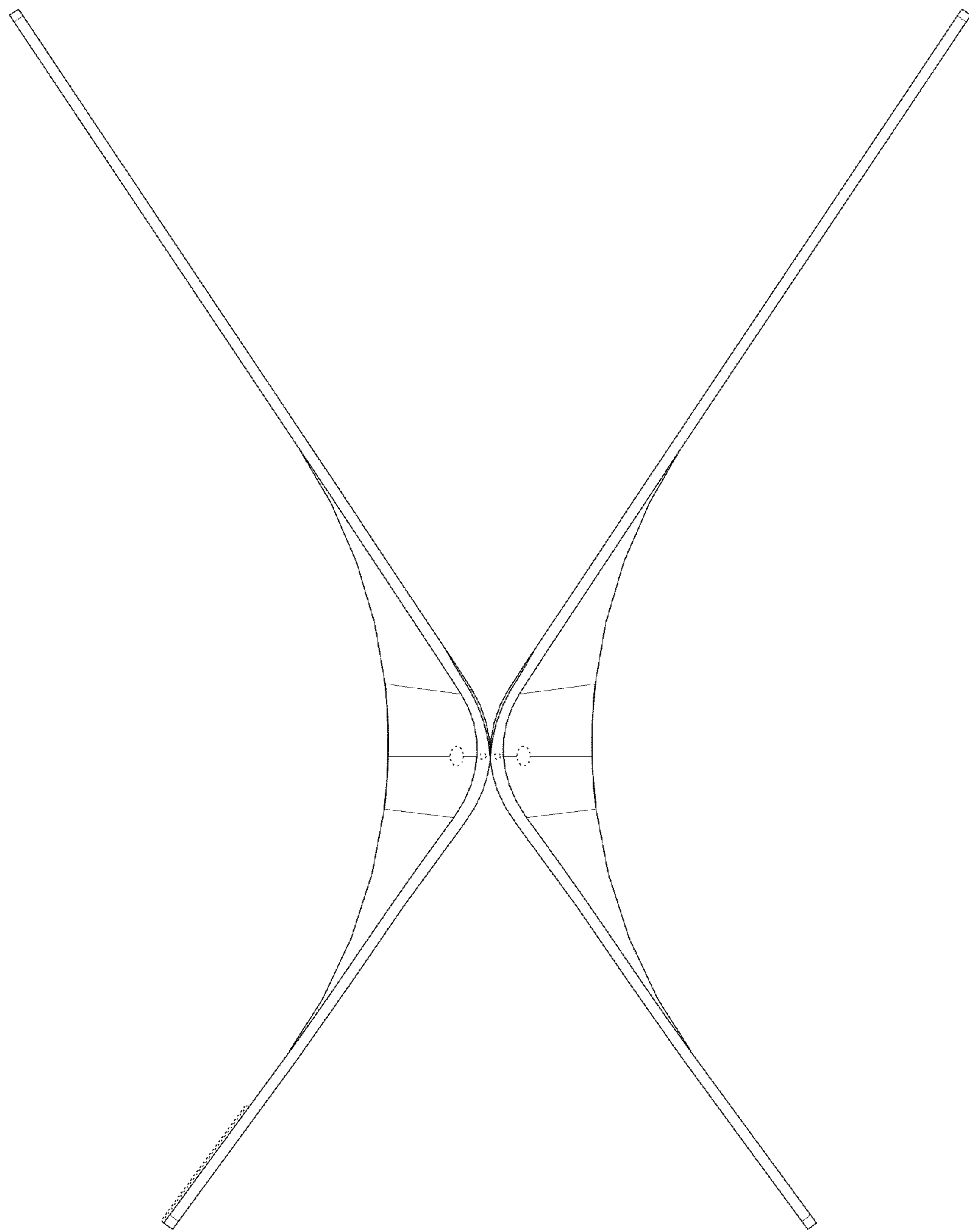


FIG. 4

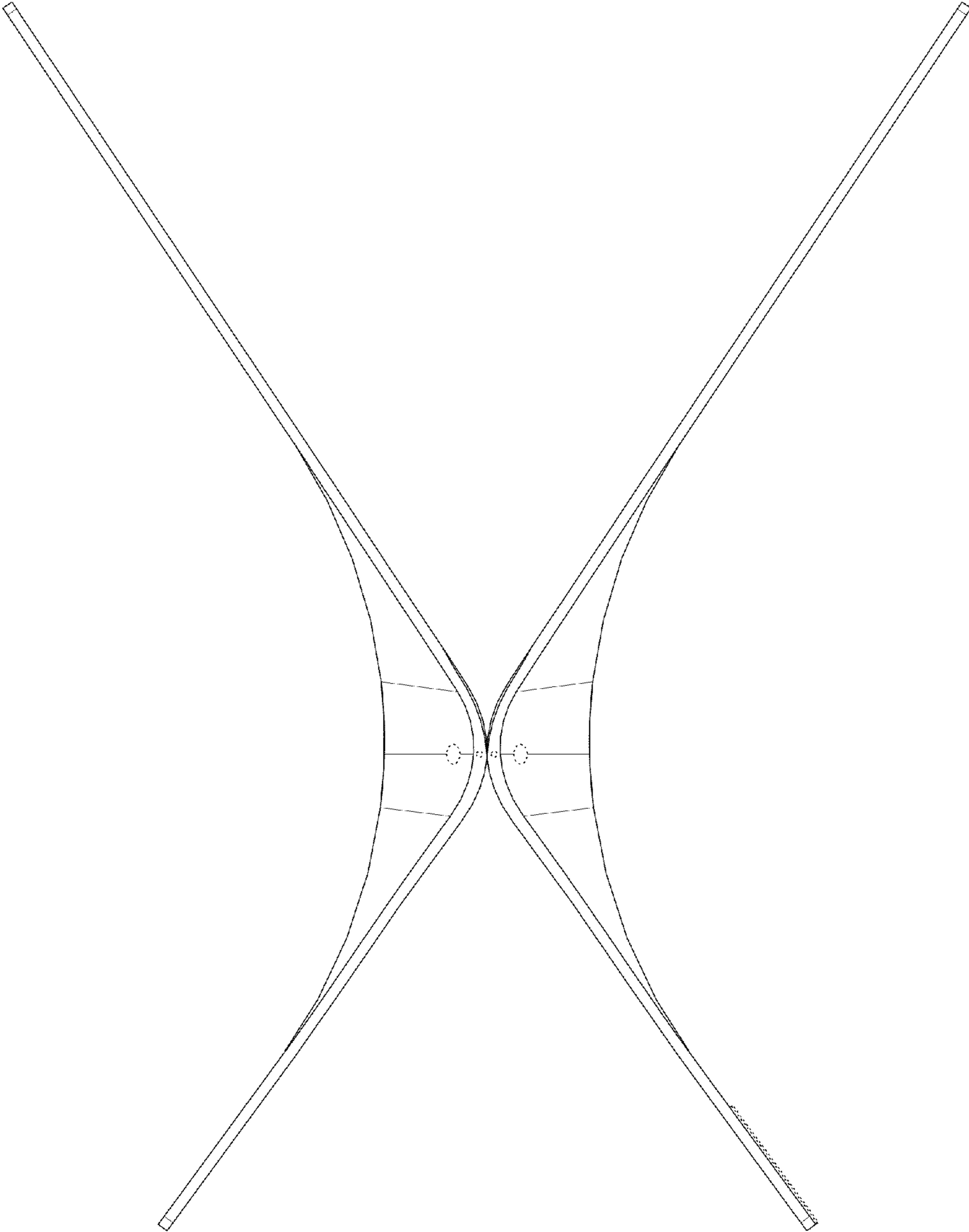


FIG. 5

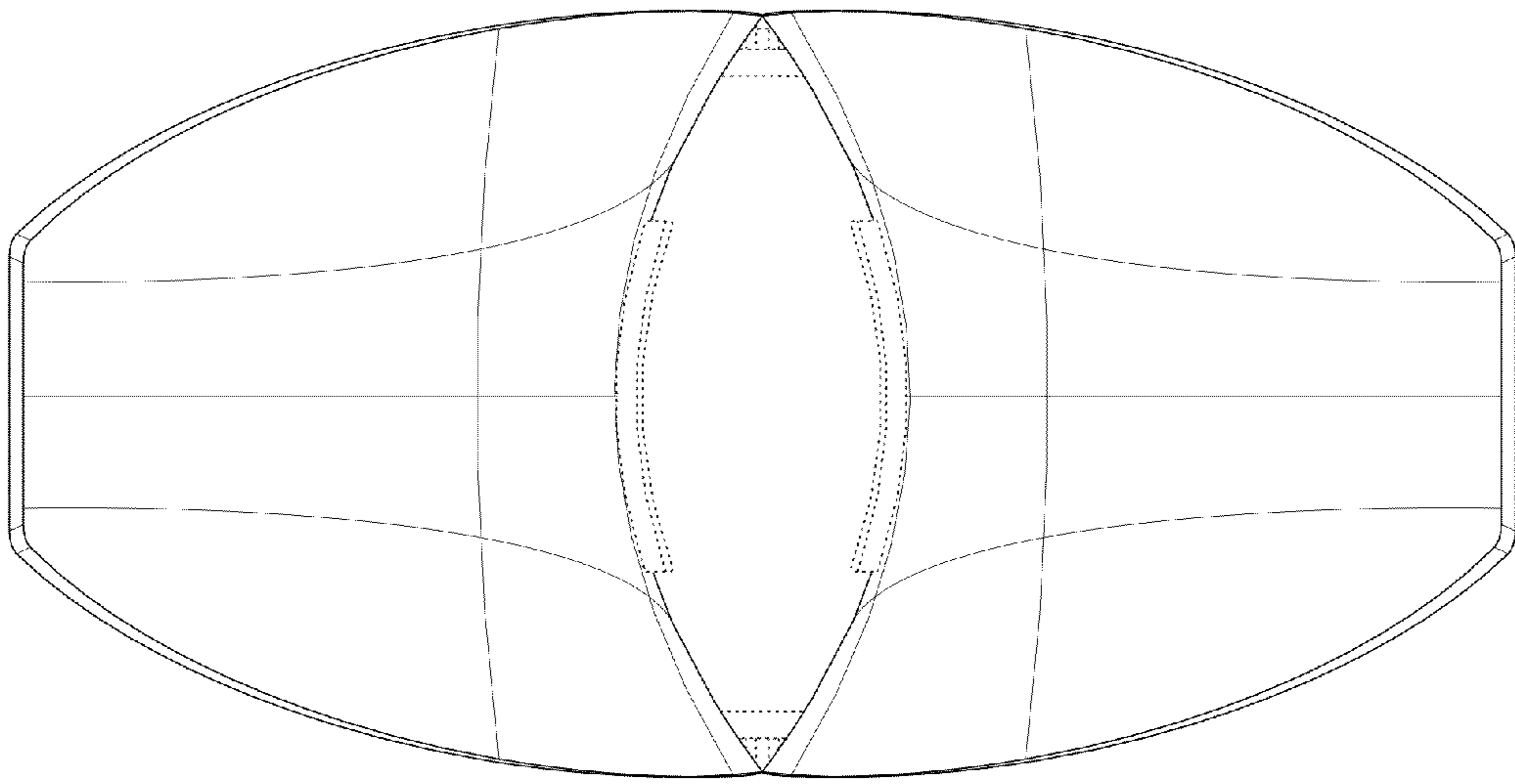


FIG. 6

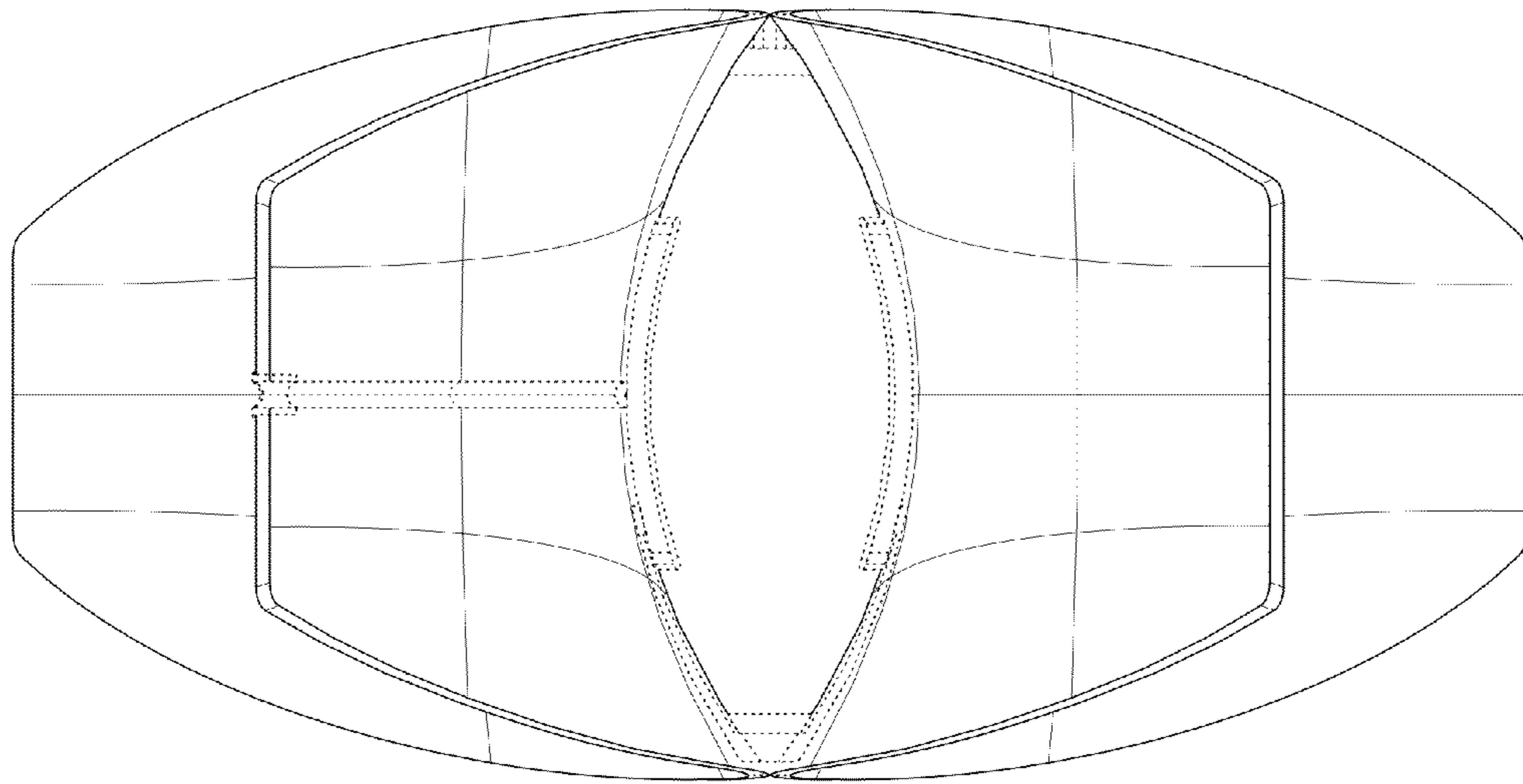


FIG. 7