



US00D688409S

(12) **United States Design Patent**  
**Wick**

(10) **Patent No.:** **US D688,409 S**

(45) **Date of Patent:** **\*\* Aug. 20, 2013**

(54) **CHANDELIER**

(75) Inventor: **William Wick**, San Francisco, CA (US)

(73) Assignee: **Restoration Hardware, Inc.**, Corte Madera, CA (US)

(\*\*) Term: **14 Years**

(21) Appl. No.: **29/429,736**

(22) Filed: **Aug. 15, 2012**

(51) **LOC (9) Cl.** ..... **26-03**

(52) **U.S. Cl.**  
USPC ..... **D26/90; D26/91**

(58) **Field of Classification Search**

USPC ..... D26/72, 81-84, 86-88, 91, 92, 143,  
D26/144, 145, 152, 155, 156; 362/122, 147,  
362/404-408, 431, 432

See application file for complete search history.

(56) **References Cited**

**U.S. PATENT DOCUMENTS**

D777 S *	4/1856	Vance	.....	D26/143
D49,788 S *	10/1916	Warren	.....	D26/81
D53,621 S *	7/1919	Wertman	.....	D26/144
D66,151 S *	12/1924	Stover	.....	D26/81
2,195,154 A *	3/1940	Scott	.....	362/225
D139,670 S *	12/1944	Lippincott	.....	D26/76
D169,999 S *	7/1953	Ainsworth	.....	D26/78
D400,288 S *	10/1998	Hsu	.....	D26/90
D472,008 S *	3/2003	Gulassa et al.	.....	D26/90
D536,468 S *	2/2007	Crosby	.....	D26/84

**OTHER PUBLICATIONS**

Restoration Hardware Home Catalog; Late Summer 2008; Cover Page, pp. 130, 134, 169, and 170.

Restoration Hardware Home, Famous Fall Lighting Sale pamphlet ; (2008); Cover page, pp. 18, 19 and 20.

Restoration Hardware Catalog, "There Are Pieces That Furnish A Home. And Those That Define It." (2009) Cover page, pp. 143, 146, 147, 149, 194 and 195.

Restoration Hardware Famous Fall Lighting Sale (2009); Cover page, pp. 9, 110 and 111.

Restoration Hardware The Fall Lighting Event 2010; Cover page, pp. 51, 252, 253, 258 and 261.

Restoration Hardware Celebrate Catalog, Holiday 2010; Cover page & pp. 71, 81, 124 and 176.

Restoration Hardware Catalog, "Welcome To Your New Home", Spring 2011 Source Book; Cover page, pp. 79, 165, 316 and 318.

Restoration Hardware The Spring 2011 Source Book; Cover page, pp. 316, 318 and 329.

Restoration Hardware Fall 2011 Source Book; Cover page, pp. 433 and 434.

Restoration Hardware Spring 2012 Catalog; cover page, pp. 477 and 480.

\* cited by examiner

*Primary Examiner* — Clare E Heflin

(74) *Attorney, Agent, or Firm* — Lewis and Roca LLP

(57) **CLAIM**

The ornamental design for a chandelier, as shown and described.

**DESCRIPTION**

The present application is related to U.S. design patent application No. 29/429,734 filed Aug. 15, 2012.

FIG. 1 is a perspective view of the an embodiment of a chandelier showing my new design;

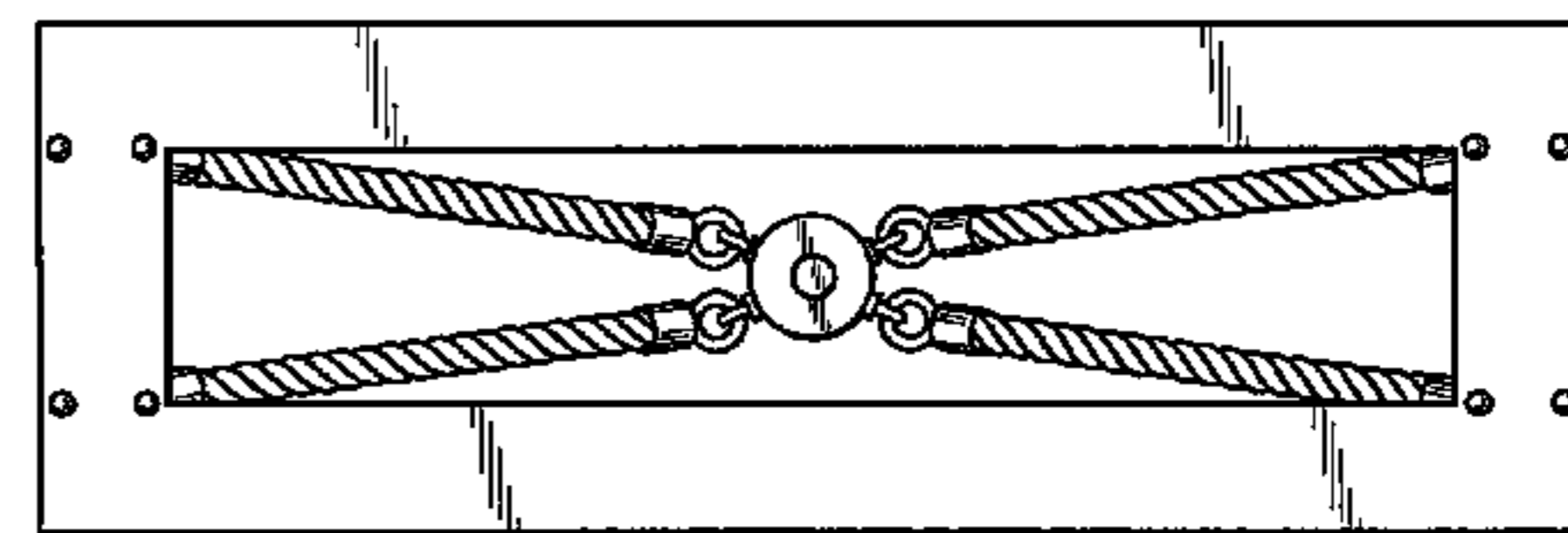
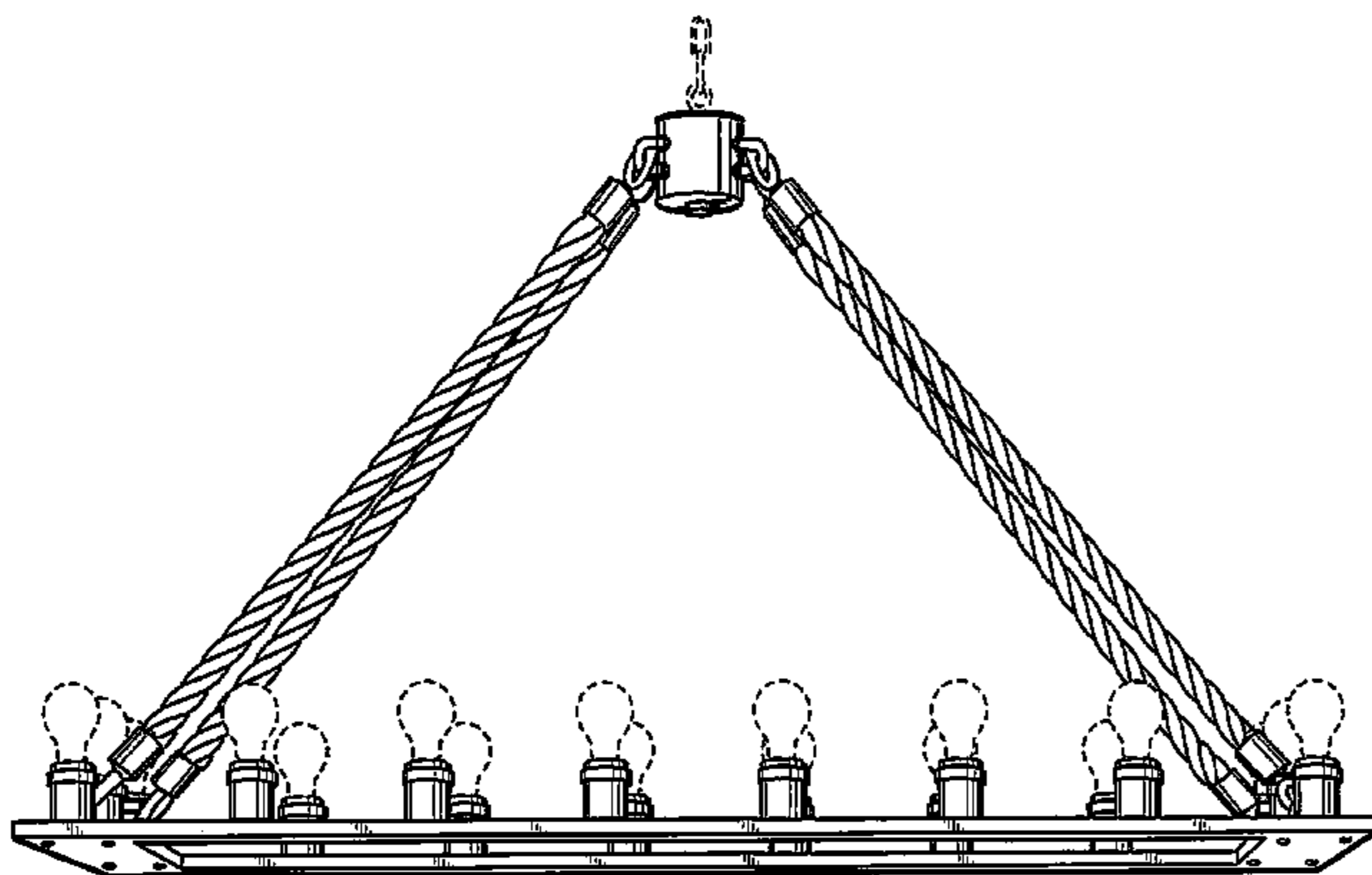
FIG. 2 is a front view thereof (rear view being a mirror image);

FIG. 3 is a right view thereof (left view being a mirror image); and,

FIG. 4 is a bottom plan view thereof.

The broken lines shown in the drawings are for environmental purposes only and form no part of the claimed design.

**1 Claim, 3 Drawing Sheets**



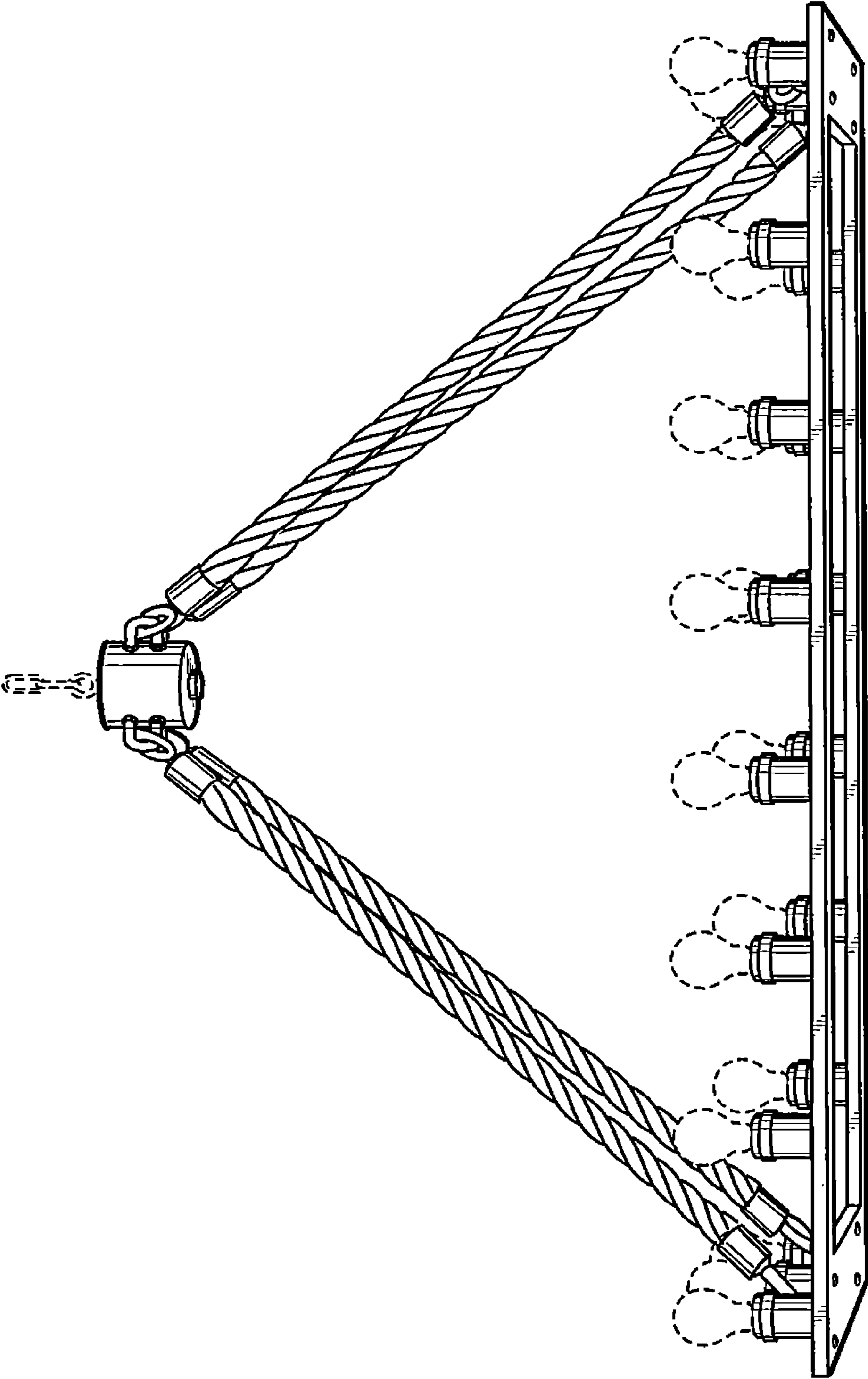


FIG. 1

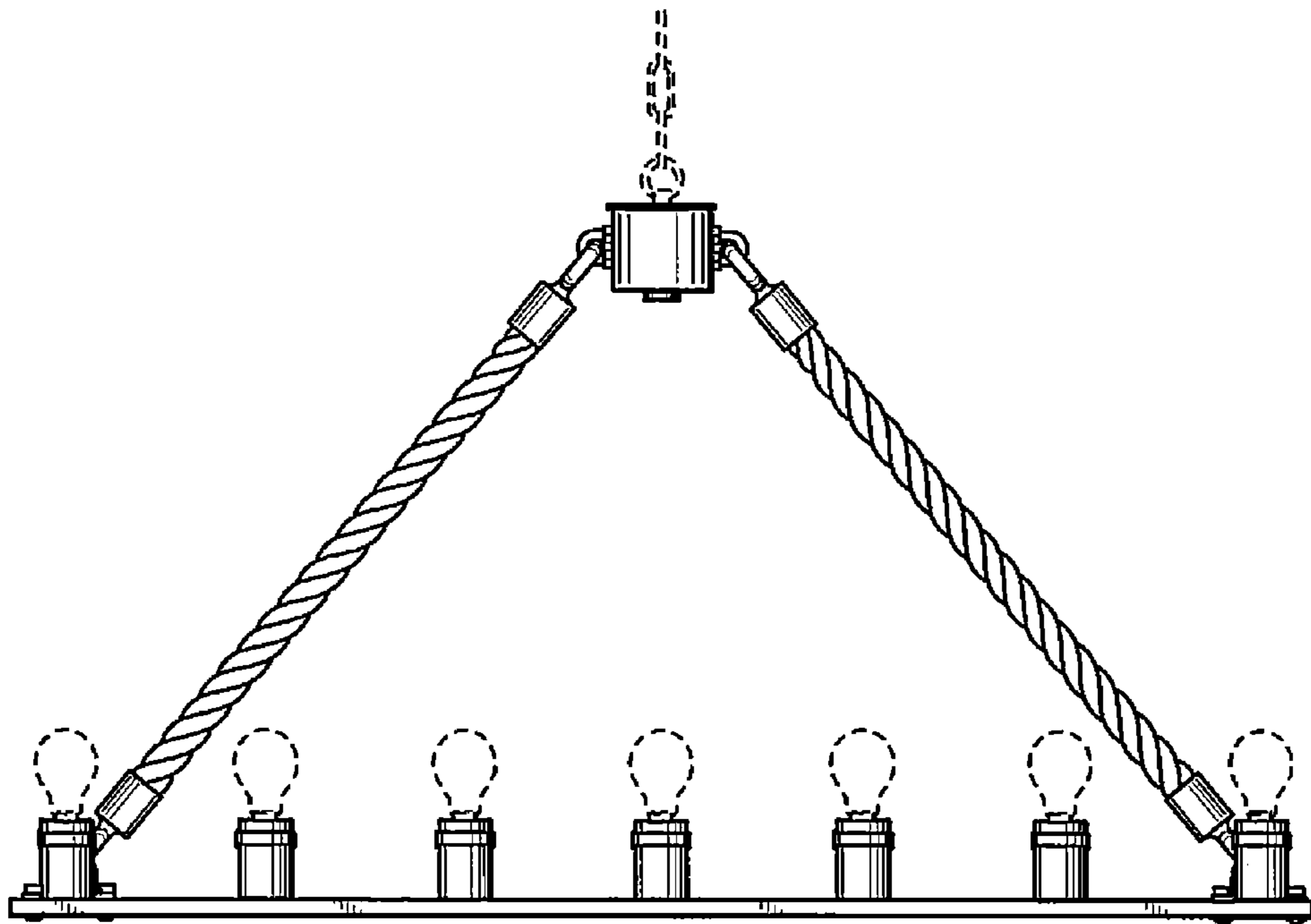


FIG. 2

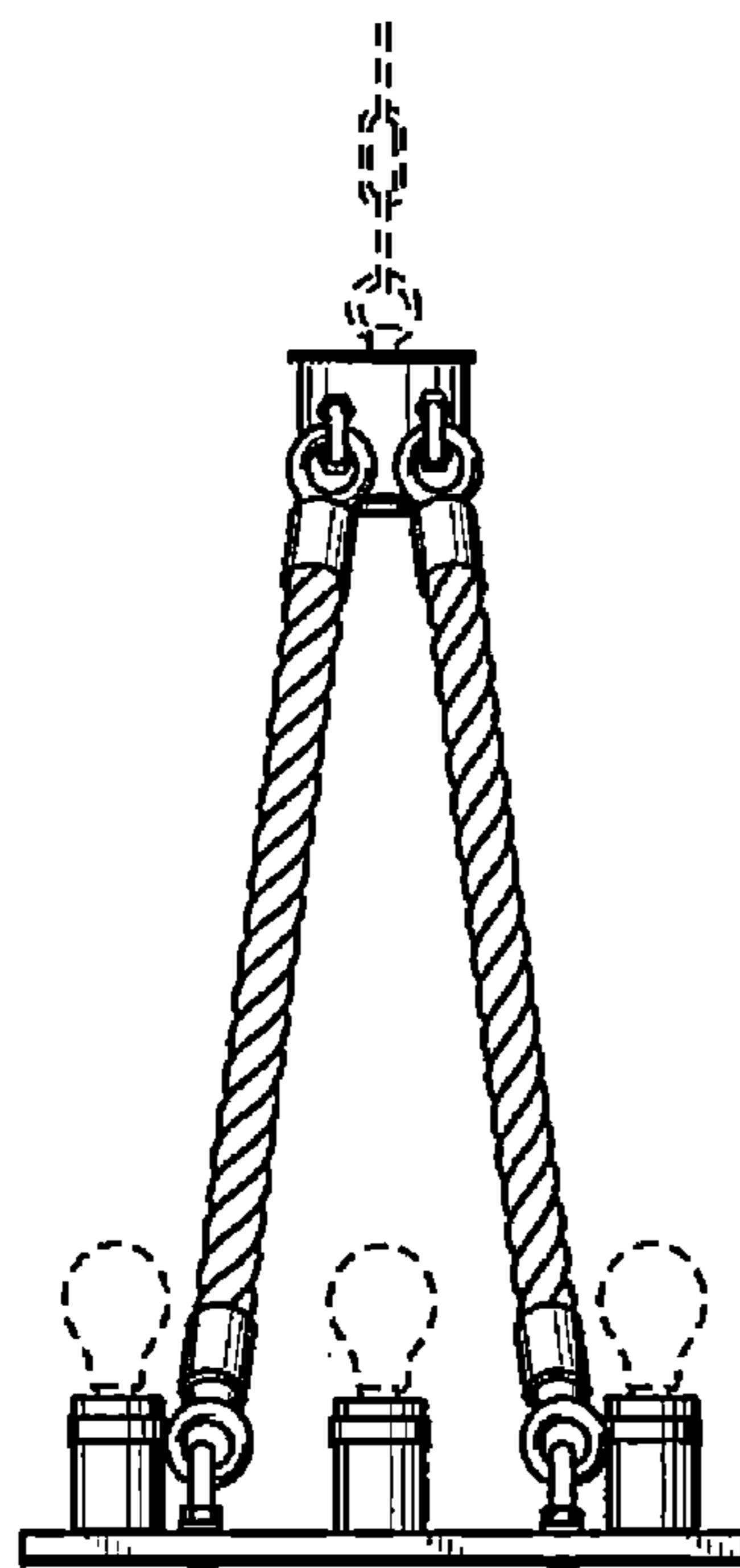
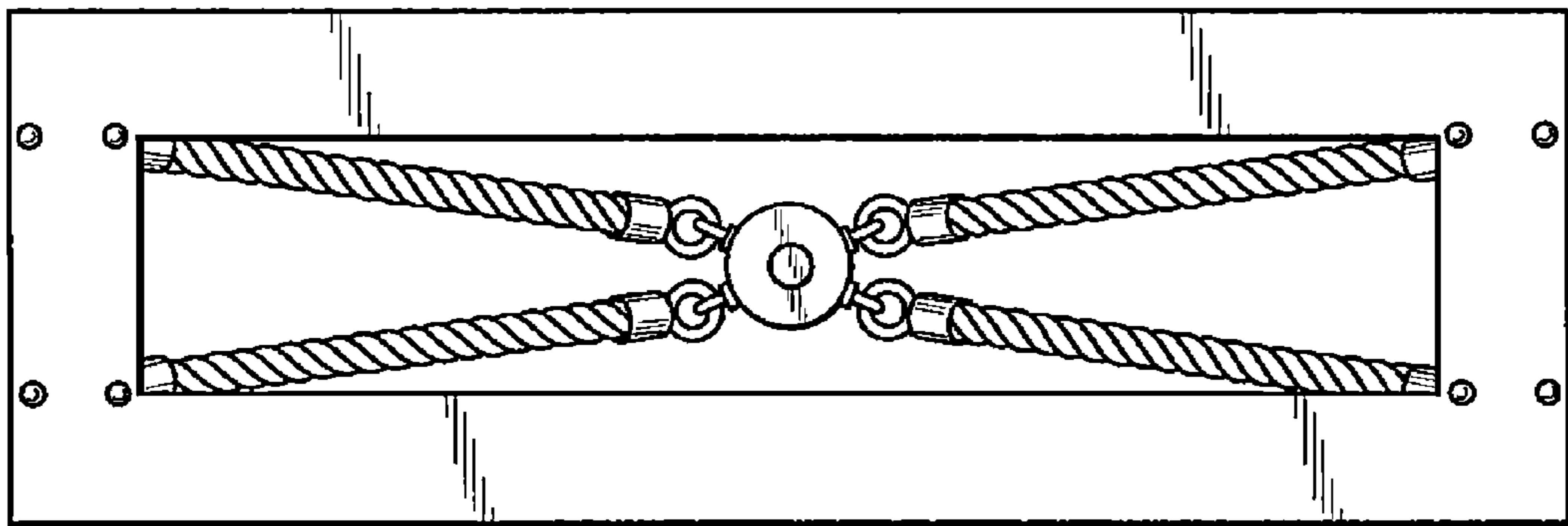


FIG. 3



**FIG. 4**