



US00D688408S

(12) **United States Design Patent**
Wung et al.

(10) **Patent No.:** **US D688,408 S**

(45) **Date of Patent:** **** Aug. 20, 2013**

(54) **LIGHT EMITTING DIODE LAMP**

(75) Inventors: **Shih-Hsun Wung**, New Taipei (TW);
Wen Xu, Guangdong Province (CN);
Zhi-Qiang Liu, Guangdong Province (CN)

(73) Assignee: **Foxconn Technology Co., Ltd.**, New Taipei (TW)

(**) Term: **14 Years**

(21) Appl. No.: **29/428,192**

(22) Filed: **Jul. 27, 2012**

(30) **Foreign Application Priority Data**

Jul. 12, 2012 (CN) 2012 3 0310695

(51) **LOC (9) Cl.** **26-03**

(52) **U.S. Cl.**
USPC **D26/88; D26/72**

(58) **Field of Classification Search**
USPC D26/63, 72, 80, 84-91; 362/147,
362/373, 404-408, 431, 432
See application file for complete search history.

(56) **References Cited**

U.S. PATENT DOCUMENTS

D190,827 S * 7/1961 Phillips D26/89
D222,103 S * 9/1971 Anderson D26/85
D229,090 S * 11/1973 Anderson D26/85
D240,320 S * 6/1976 Anderson D26/85

D340,514 S * 10/1993 Liao D23/377
5,528,474 A * 6/1996 Roney et al. 362/545
D573,288 S * 7/2008 Xu et al. D26/67
D585,580 S * 1/2009 Riffel et al. D26/72
7,645,053 B2 * 1/2010 Machi et al. 362/241
7,722,227 B2 * 5/2010 Zhang et al. 362/364
D625,038 S * 10/2010 Yoo D26/85
D627,911 S * 11/2010 Mo et al. D26/72
D627,912 S * 11/2010 Mo D26/72
D635,292 S * 3/2011 Chiang et al. D26/88
D642,316 S * 7/2011 Zheng et al. D26/72
D657,088 S * 4/2012 Miro D26/89
2004/0240226 A1 * 12/2004 Gross et al. 362/544

* cited by examiner

Primary Examiner — Clare E Heflin

(74) *Attorney, Agent, or Firm* — Altis Law Group, Inc.

(57) **CLAIM**

The ornamental design for a light emitting diode lamp, as shown.

DESCRIPTION

FIG. 1 is a perspective view of a light emitting diode lamp showing our new design.

FIG. 2 is a front elevational view thereof.

FIG. 3 is a rear elevational view thereof.

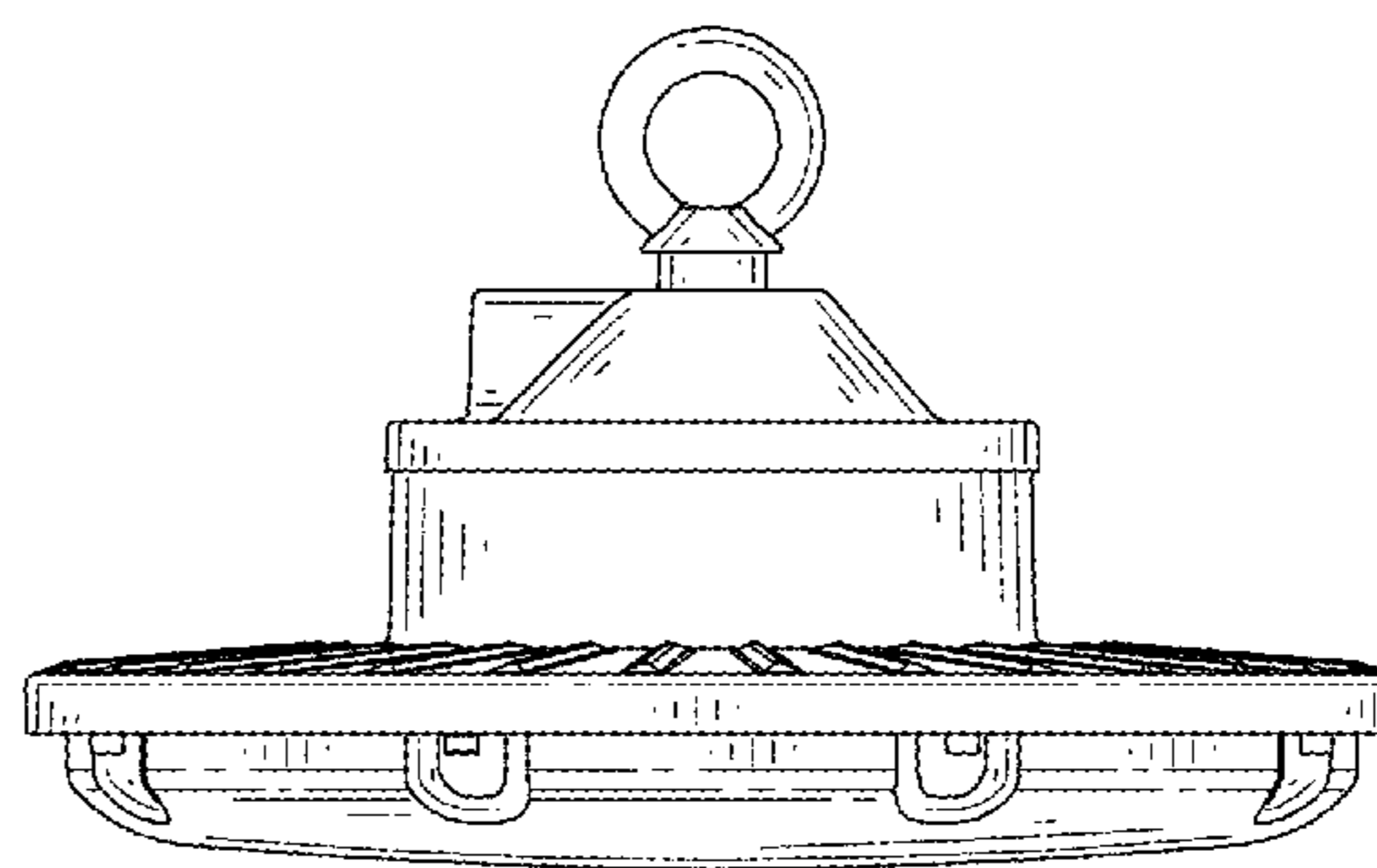
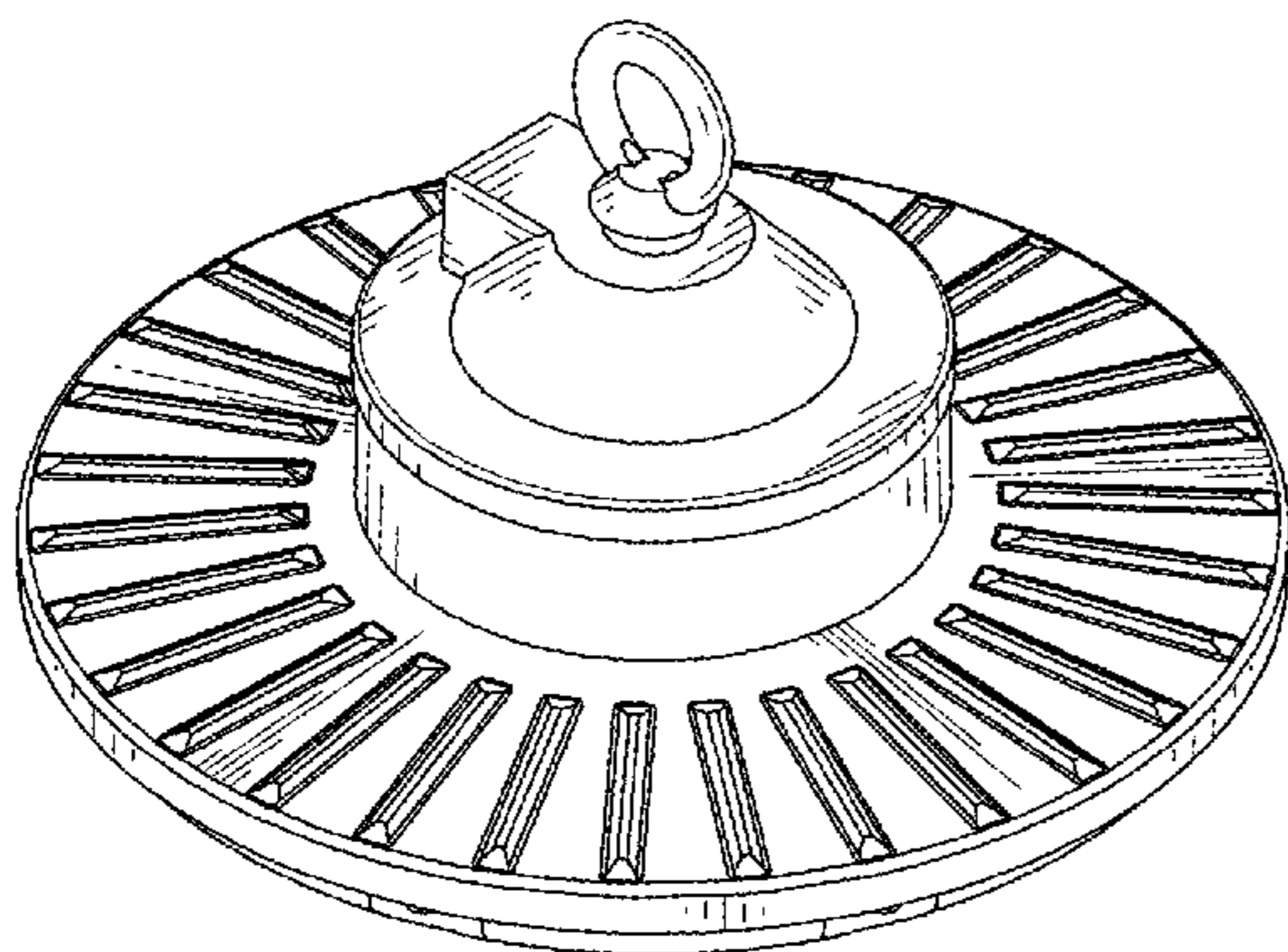
FIG. 4 is a left side elevational view thereof.

FIG. 5 is a right side elevational view thereof.

FIG. 6 is a top plan view thereof; and,

FIG. 7 is a bottom plan view thereof.

1 Claim, 7 Drawing Sheets



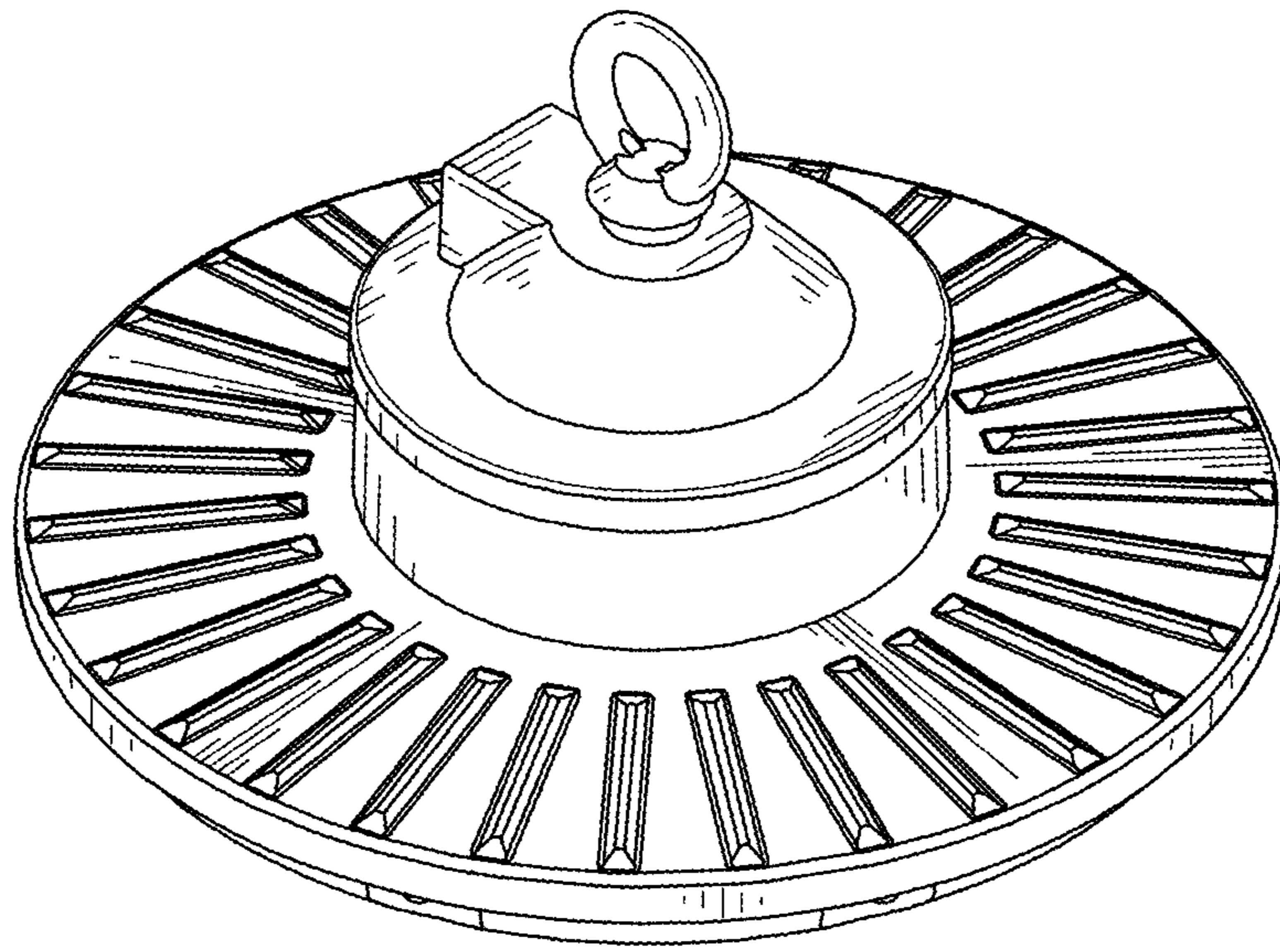


FIG. 1

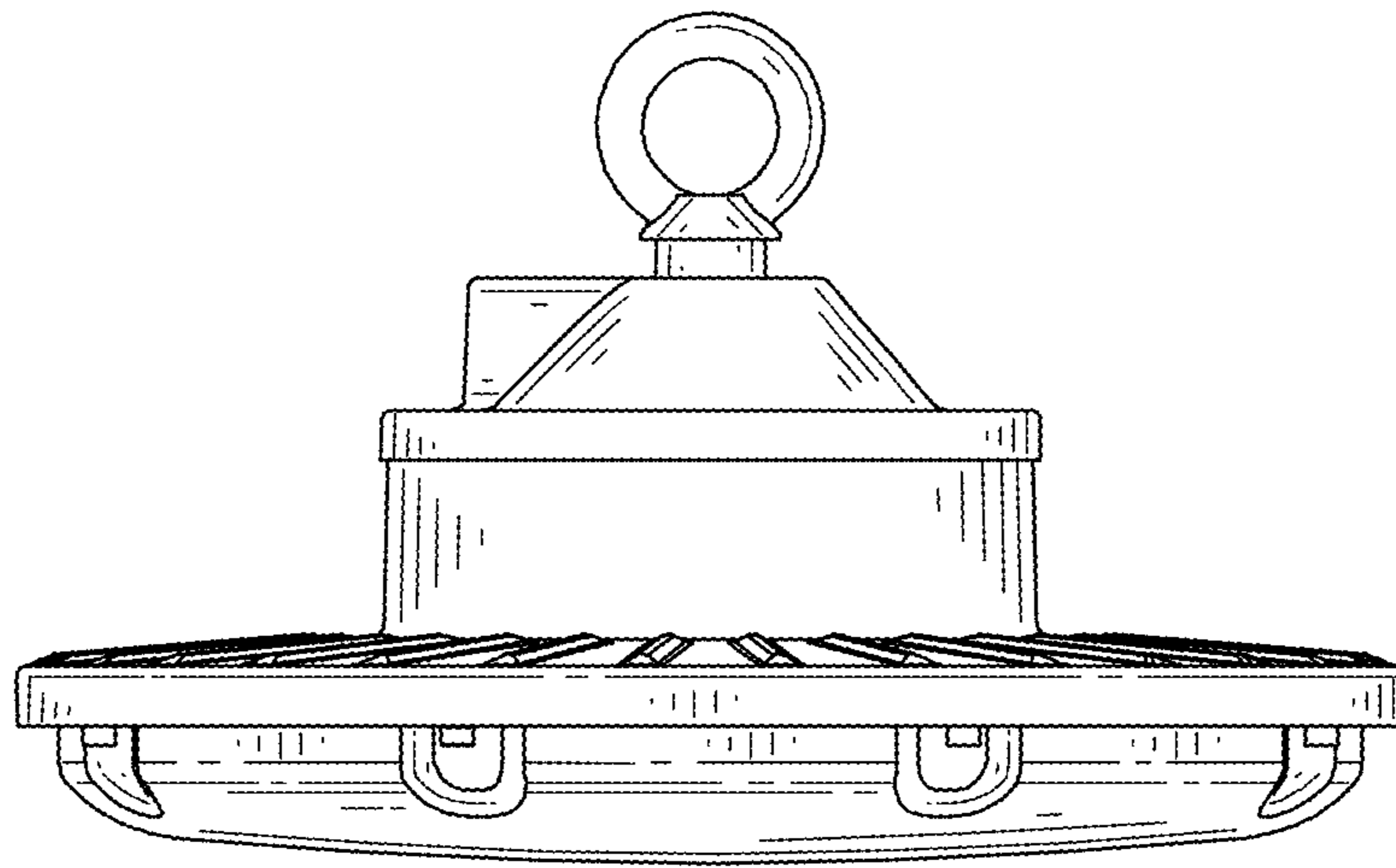


FIG. 2

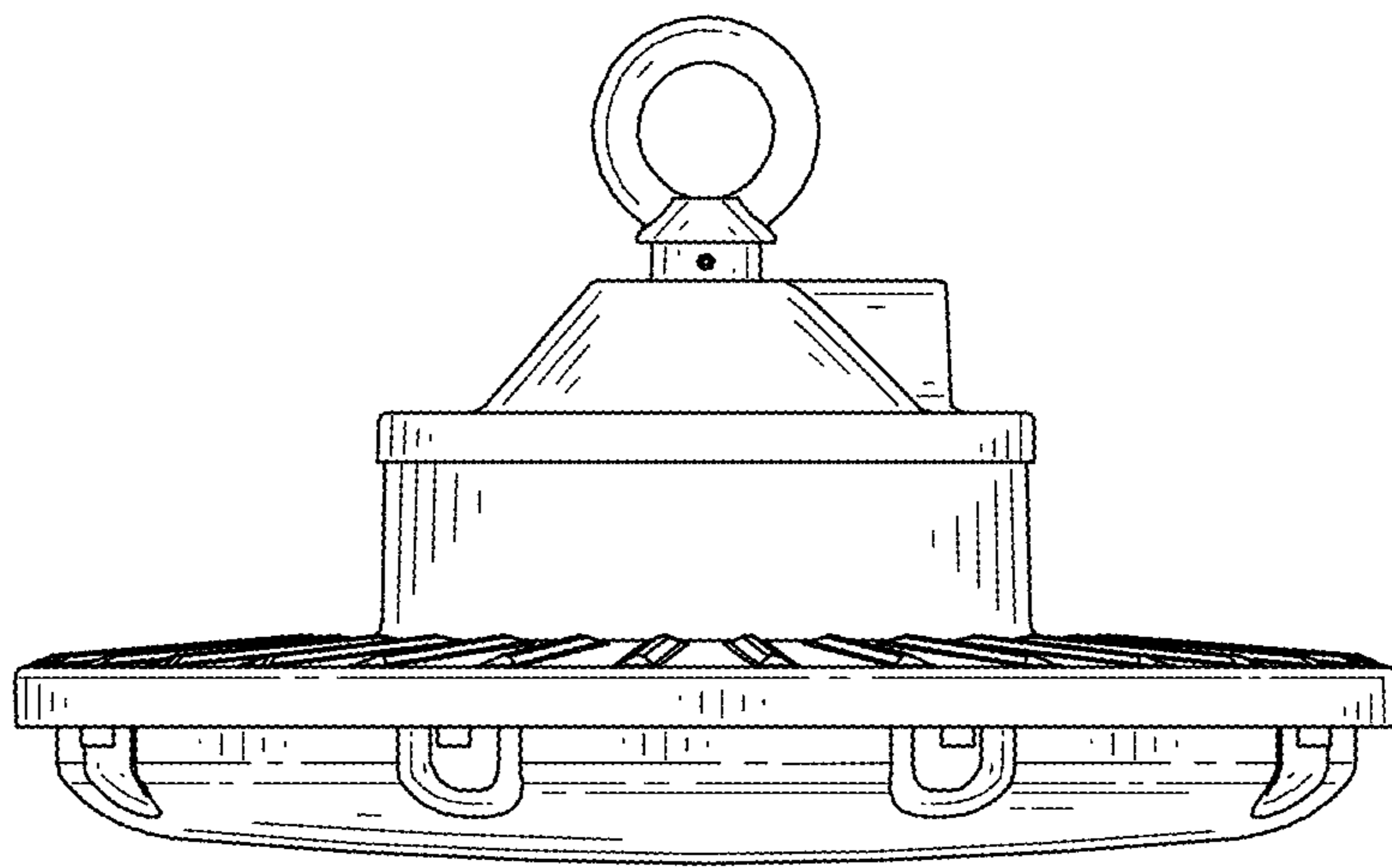


FIG. 3

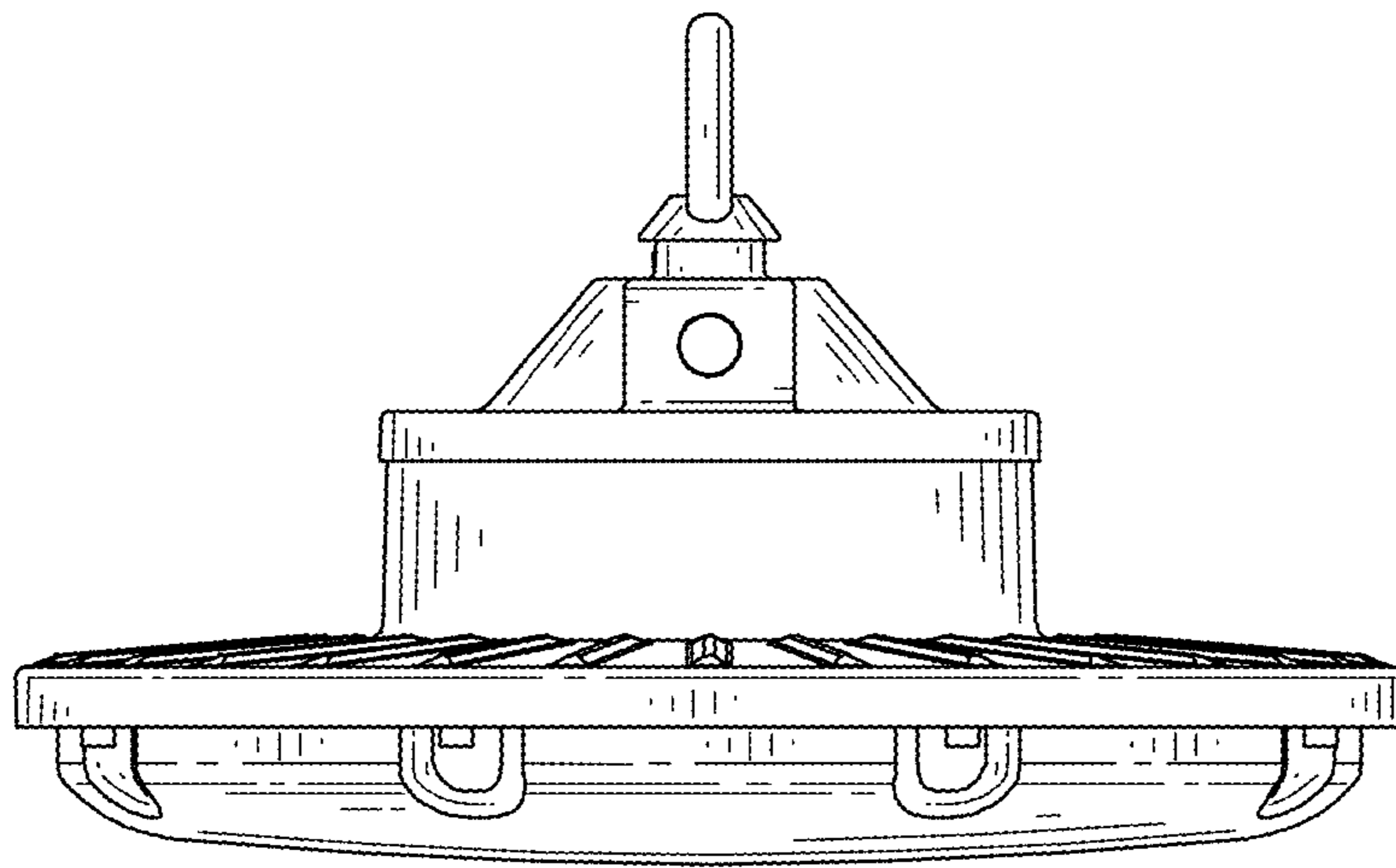


FIG. 4

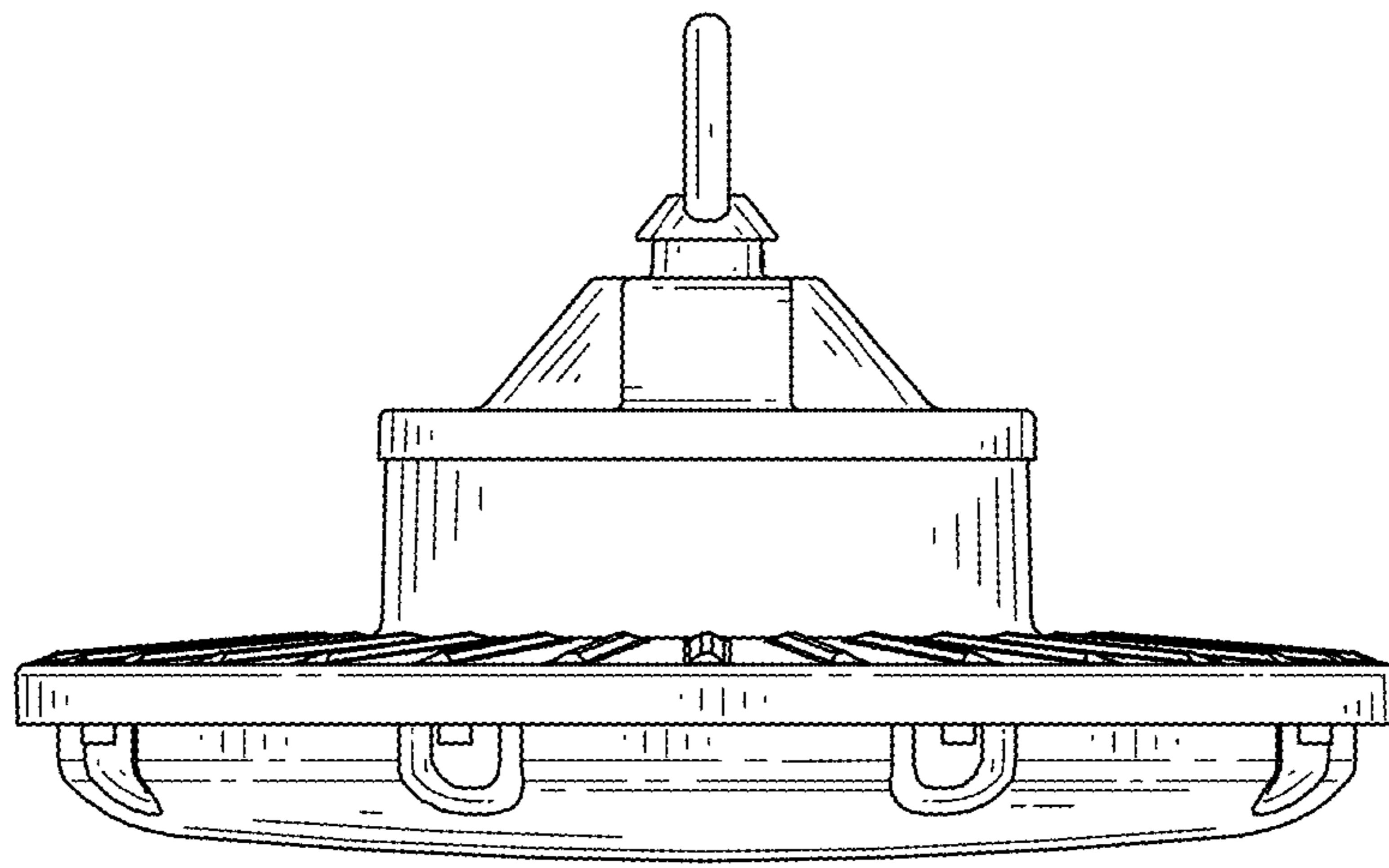


FIG. 5

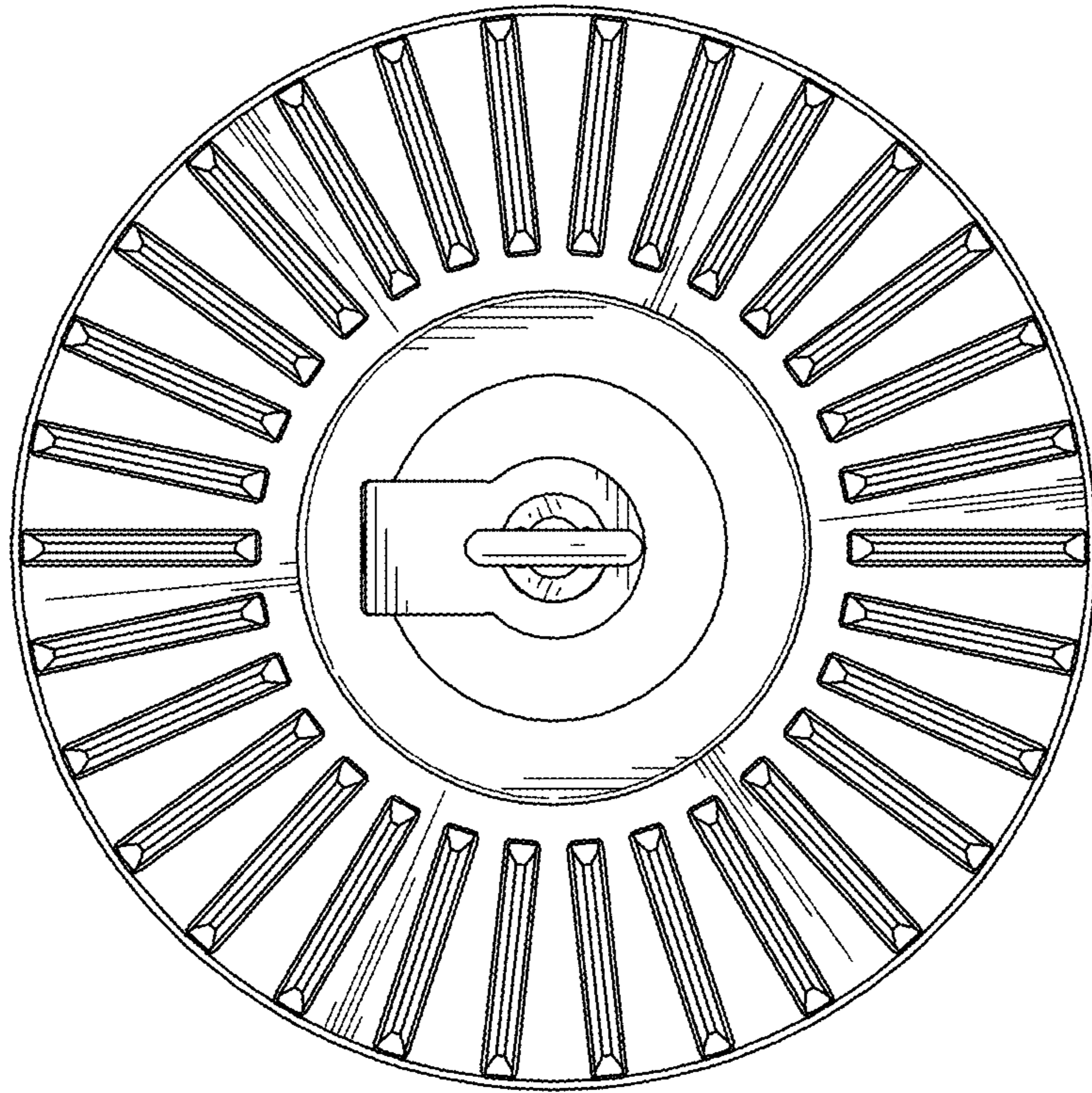


FIG. 6

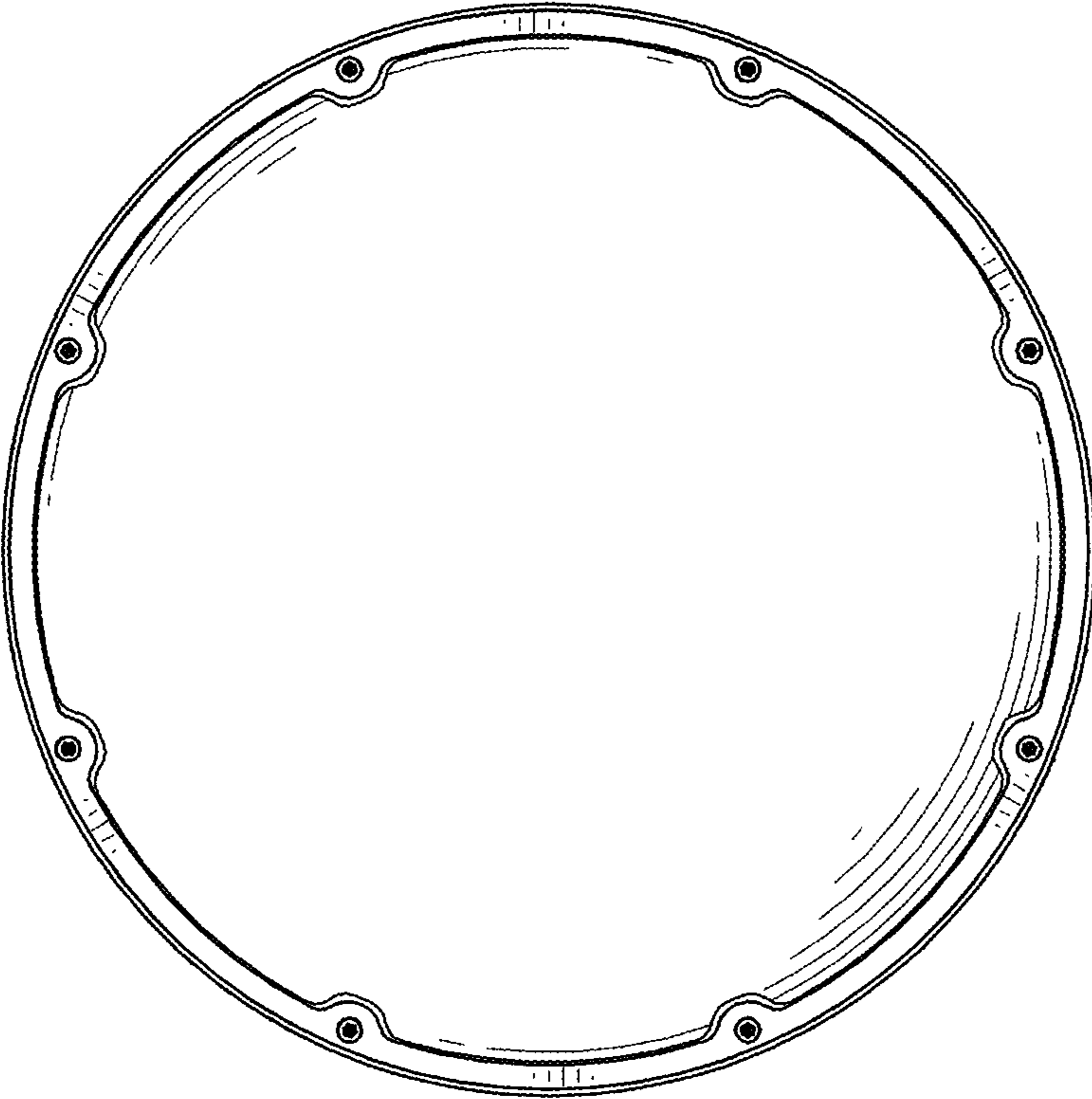


FIG. 7