



US00D688403S

(12) **United States Design Patent**  
**Landefeld**

(10) **Patent No.:** **US D688,403 S**

(45) **Date of Patent:** **\*\* Aug. 20, 2013**

(54) **LED LIGHT FIXTURE**

(75) **Inventor:** **Cory Wade Landefeld**, Long Beach, CA (US)

(73) **Assignee:** **Visionaire Lighting, LLC**, Rancho Dominguez, CA (US)

(\*\*) **Term:** **14 Years**

(21) **Appl. No.:** **29/418,255**

(22) **Filed:** **Apr. 13, 2012**

(51) **LOC (9) Cl.** ..... **26-05**

(52) **U.S. Cl.**  
USPC ..... **D26/69**

(58) **Field of Classification Search**  
USPC ..... D26/67-72; 362/145, 147, 183,  
362/231, 240, 249.02, 249.03, 249.04, 249.06,  
362/249.16, 373, 431, 432  
See application file for complete search history.

(56) **References Cited**

**U.S. PATENT DOCUMENTS**

D195,310 S \* 5/1963 Zagel ..... D26/70  
6,661,113 B1 \* 12/2003 Bonin ..... 290/55

D578,696 S \* 10/2008 Wang et al. .... D26/70  
D598,156 S \* 8/2009 Xiao et al. .... D26/69  
D599,049 S \* 8/2009 Guercio ..... D26/69  
D615,689 S \* 5/2010 Guercio ..... D26/69  
D621,986 S \* 8/2010 Yan ..... D26/69  
D621,987 S \* 8/2010 Tsai et al. .... D26/69  
D622,886 S \* 8/2010 Zheng et al. .... D26/69  
D634,879 S \* 3/2011 Guercio et al. .... D26/85  
D647,236 S \* 10/2011 Chang ..... D26/70  
D655,435 S \* 3/2012 Howis et al. .... D26/69

\* cited by examiner

*Primary Examiner* — Clare E Heflin

(74) *Attorney, Agent, or Firm* — Fulwider Patton LLP

(57) **CLAIM**

The ornamental design for an LED light fixture, as shown and described.

**DESCRIPTION**

FIG. 1 is a perspective view of my new design;  
FIG. 2 is a front view thereof;  
FIG. 3 is a bottom view thereof;  
FIG. 4 is a top view thereof;  
FIG. 5 is a rear view thereof; and,  
FIG. 6 is a side view thereof.

**1 Claim, 3 Drawing Sheets**

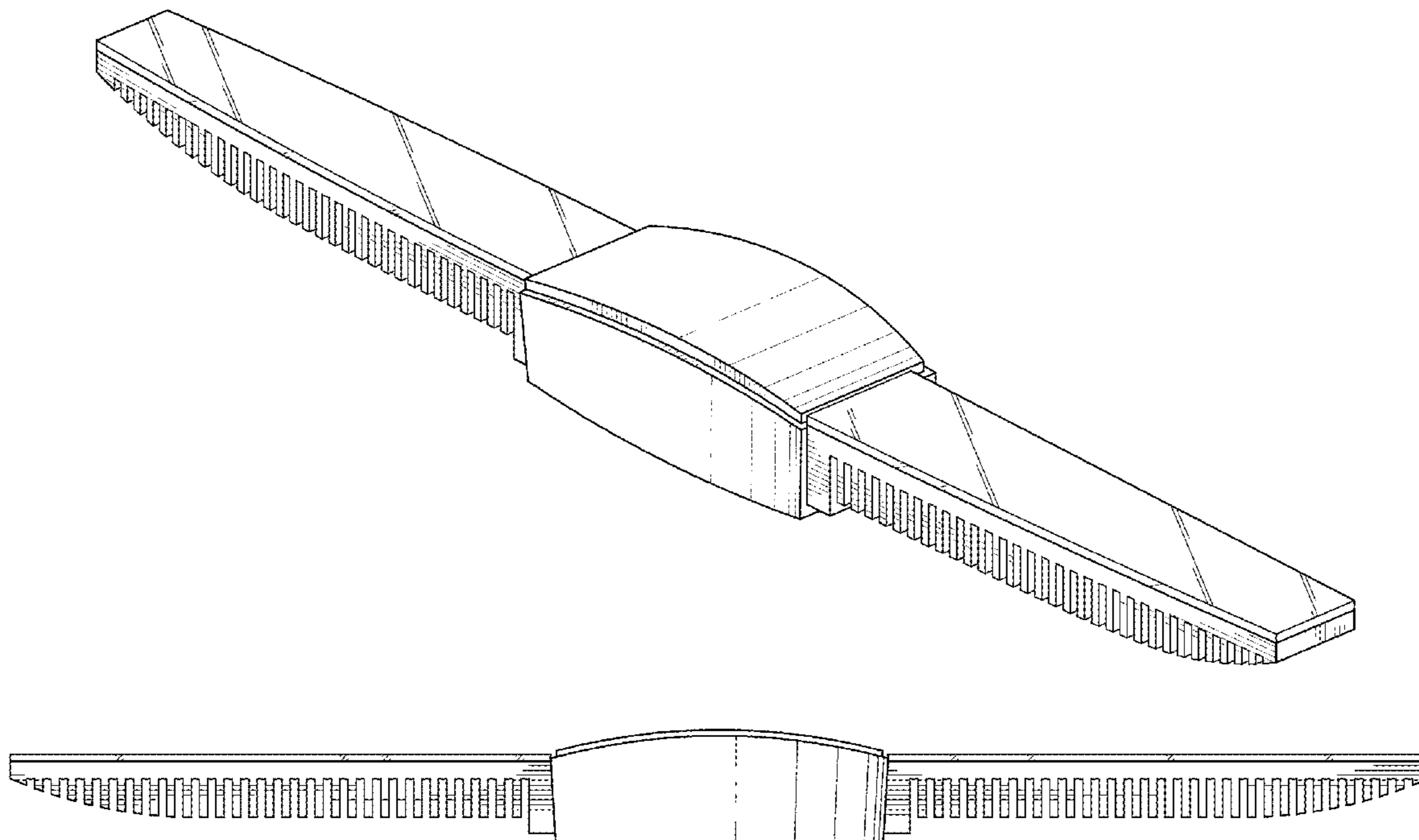
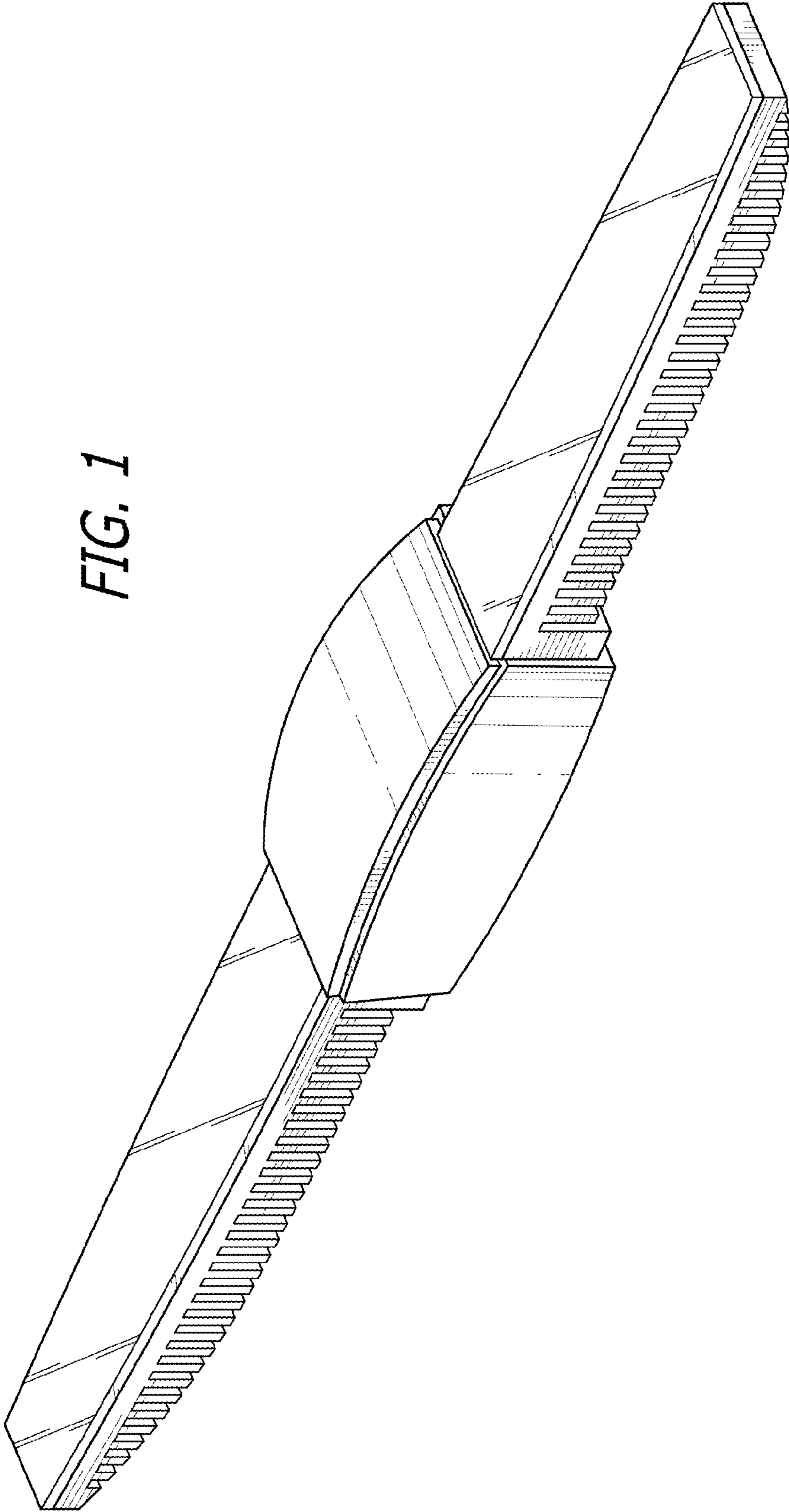


FIG. 1



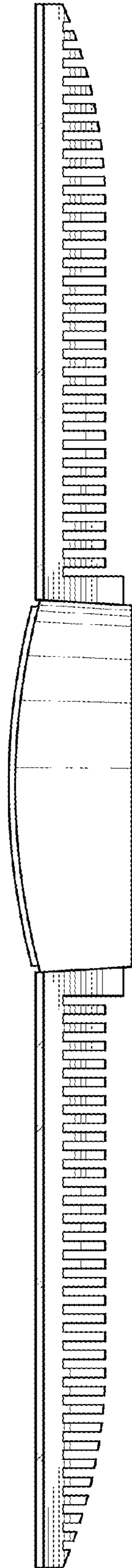


FIG. 2

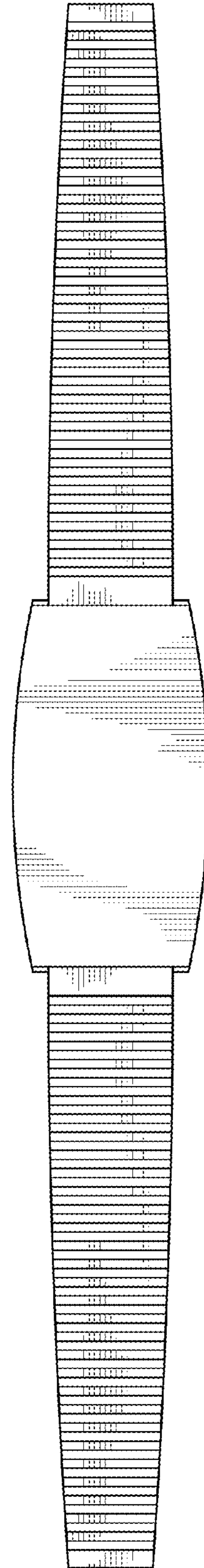


FIG. 3

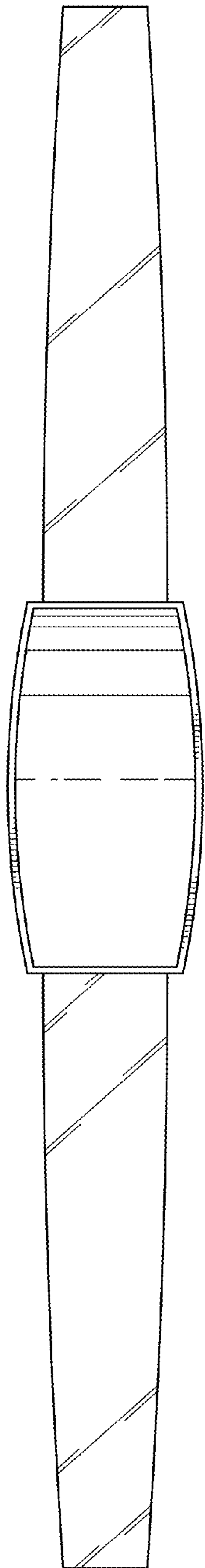


FIG. 4

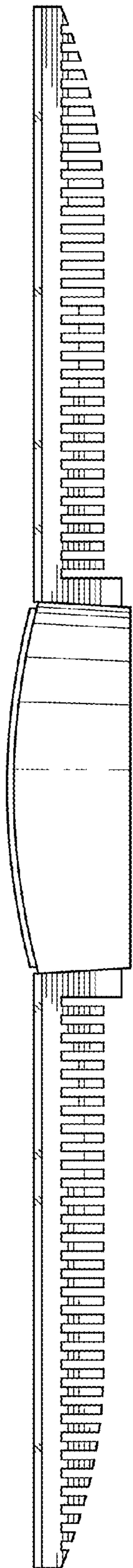


FIG. 5

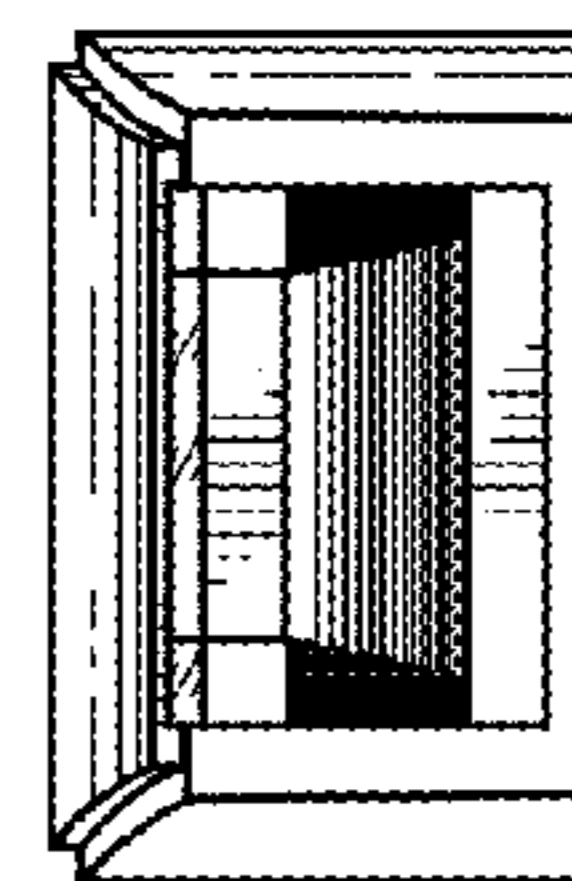


FIG. 6