



US00D688402S

(12) **United States Design Patent**
Roshak et al.

(10) **Patent No.:** **US D688,402 S**
(45) **Date of Patent:** **** Aug. 20, 2013**

(54) **PORTABLE LIGHT**

(75) Inventors: **Gregory A. Roshak**, Norristown, PA (US); **Matthew B. Dalton**, Elkins Park, PA (US)

(73) Assignee: **Streamlight, Inc.**, Eagleville, PA (US)

(**) Term: **14 Years**

(21) Appl. No.: **29/357,211**

(22) Filed: **Mar. 9, 2010**

(51) **LOC (9) Cl.** **26-02**

(52) **U.S. Cl.**
USPC **D26/49**

(58) **Field of Classification Search**

USPC D26/46, 49, 37, 38; 362/157, 158, 362/183, 184, 194–196, 202–208

See application file for complete search history.

(56) **References Cited**

U.S. PATENT DOCUMENTS

D572,170 S 5/2002 Craft
D481,816 S 11/2003 Sharrah

(Continued)

OTHER PUBLICATIONS

Streamlight, PT Series Professional Tactical Lights, 2 pages, Feb. 2010.

(Continued)

Primary Examiner — Ian Simmons

Assistant Examiner — Carissa C Fitts

(74) *Attorney, Agent, or Firm* — Clement A. Berard, Esq.;
Dann, Dorfman, Herrell & Skillman, PC

(57) **CLAIM**

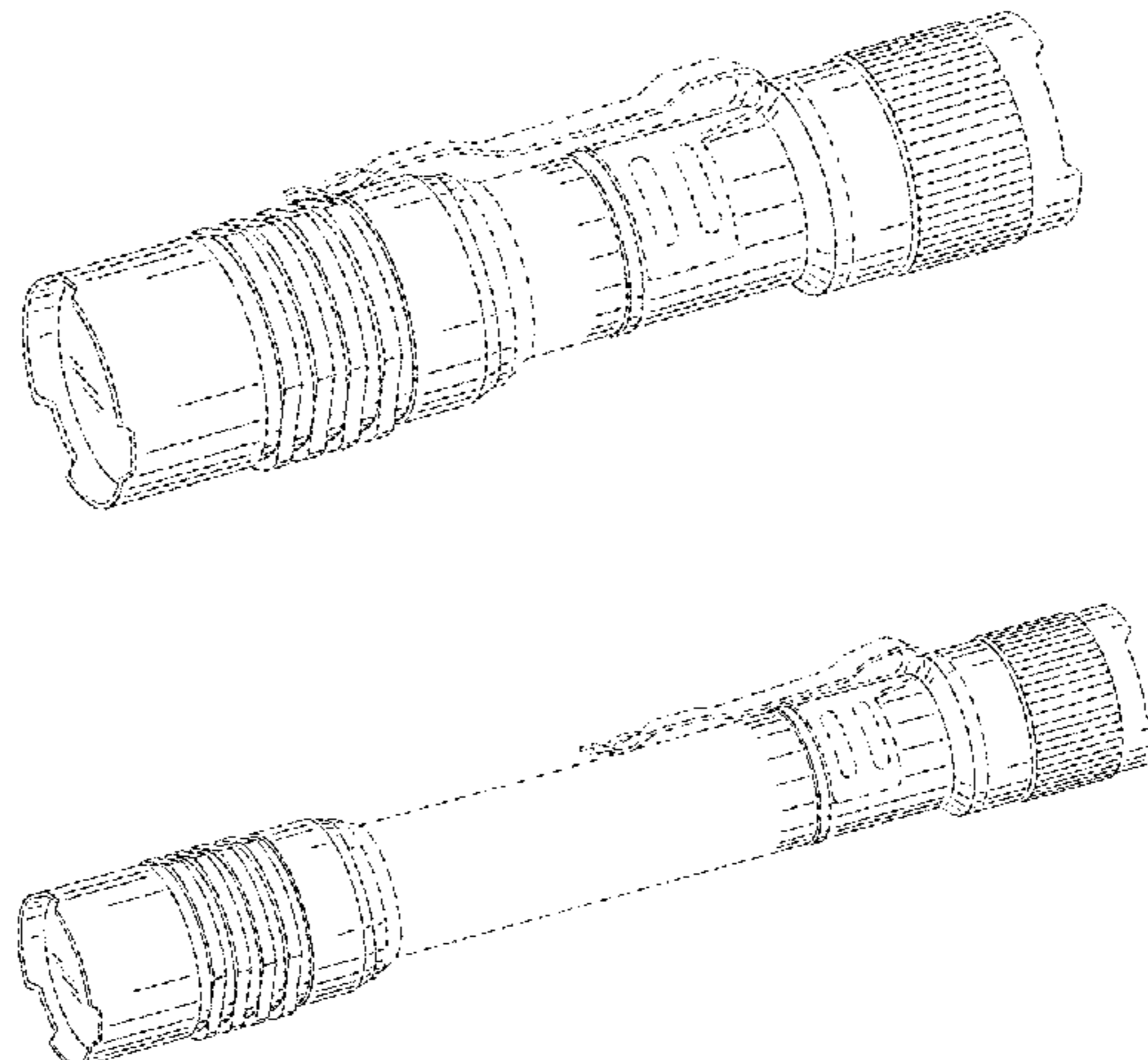
The ornamental design for a portable light, substantially as shown and described.

DESCRIPTION

FIG. 1 is a perspective view of an ornamental design for a portable light which is generally symmetrical about its lon-

gitudinal axis except for three indentations at each end and three flat portions of the four circumferential rings;
FIG. 2 is another perspective view of the ornamental design;
FIG. 3 is a first side view of the ornamental design;
FIG. 4 is a second side view of the ornamental design;
FIG. 5 is a first end view of the ornamental design;
FIG. 6 is a second end view of the ornamental design;
FIG. 7 is a perspective view of the ornamental design for a portable light having end views as shown in FIGS. 5 and 6;
FIG. 8 is another perspective view of the ornamental design of FIG. 7;
FIG. 9 is a first side view of the ornamental design of FIG. 7;
FIG. 10 is a second side view of the ornamental design of FIG. 7;
FIG. 11 is a perspective view of the ornamental design for a portable light;
FIG. 12 is another perspective view of the ornamental design of FIG. 11;
FIG. 13 is a first side view of the ornamental design of FIG. 11;
FIG. 14 is a second side view of the ornamental design of FIG. 11;
FIG. 15 is a first end view of the ornamental design of FIG. 11;
FIG. 16 is a second end view of the ornamental design of FIG. 11;
FIG. 17 is a perspective view of the ornamental design for a portable light having end views as shown in FIGS. 15 and 16;
FIG. 18 is another perspective view of the ornamental design of FIG. 17;
FIG. 19 is a first side view of the ornamental design of FIG. 17; and,
FIG. 20 is a second side view of the ornamental design of FIG. 17.
Broken lines in the illustrations of the DRAWING indicate unclaimed parts of the article and/or unclaimed environment that are not part of the design illustrated herein.

1 Claim, 7 Drawing Sheets



(56)

References Cited

U.S. PATENT DOCUMENTS

D521,170	S	*	5/2006	Craft et al.	D26/49
D521,666	S	*	5/2006	Chean	D26/37
D521,667	S	*	5/2006	Chean	D26/37
D527,476	S		8/2006	Craft		
D548,863	S	*	8/2007	Shiu	D26/37
D549,369	S	*	8/2007	DeBrunner	D26/37
D557,838	S	*	12/2007	Shiu	D26/37
D557,840	S	*	12/2007	Shiu	D26/37
D564,116	S	*	3/2008	Linardos	D26/49
D565,770	S	*	4/2008	Shiu	D26/49
D566,309	S	*	4/2008	Kornfeld et al.	D26/37
D568,515	S	*	5/2008	Liu	D26/49
D572,395	S	*	7/2008	Guelzow et al.	D26/49
D574,982	S	*	8/2008	Lau	D26/37
D578,236	S		10/2008	Dalton		
D586,025	S	*	2/2009	Bonis	D26/49
D586,489	S	*	2/2009	Shiu	D26/49
D603,988	S		11/2009	Sharrah		
D603,989	S	*	11/2009	Gardner et al.	D26/49
D622,428	S		8/2010	Crawford et al.		
D629,542	S	*	12/2010	Robinson	D26/49
D629,544	S	*	12/2010	Deguglimo et al.	D26/49
D647,232	S	*	10/2011	Liu	D26/49
D647,654	S	*	10/2011	Li	D26/49
D655,027	S	*	2/2012	Milz et al.	D26/49
2009/0323344	A1		12/2009	Crawford		

OTHER PUBLICATIONS

Streamlight, NightFighter LED Flashlight, 1 page, Sep. 2009.
 Streamlight, Stylus Pro Alkaline Battery-Powered LED Pen Light, 1 page, Apr. 2007.

Streamlight, Stylus Series, Stylus Pro, www.streamlight.com/product/product, 4 pages, 2010.
 Streamlight, Product Fact Sheet, Streamlight Stylus Pro LED Flashlight, 1 page, Nov. 2007, 2008.
 Streamlight, Polystylus Ultra-Tough Fiberglass Penlight, 2 pages, Feb. 2009.
 Streamlight, Stylus Series, PolyStylus, www.streamlight.com/product/product, 4 pages.
 Energizer, Lighting products, 3 sheets, 2010.
 Streamlight, TL-2 L Shock-Proof Flashlight, 2 pages, Aug. 2007.
 Streamlight, TL-3 LED Flashlight, 2 pages, Aug. 2007.
 Streamlight, Tactical Hand-Held Series, 4 pages, 2010.
 Eveready Industries India Ltd., "Flashlights—digiLED Torches", 2 pages, © 2009, <http://www.evereadyindustries.com/business/flashlights/led-torches.asp>.
 Eveready Industries India Ltd., "Flashlights—Aluminium & Plastic Torches", 2 pages, © 2009, <http://www.evereadyindustries.com/business/flashlights/aluminium-plastic.asp>.
 4Sevens, "Products meeting the search criteria ['quark']" and pages for "Neutral White Quark 123²", "Neutral White Quark AA²", and "Quark Regular Titanium Collector's Set", 23 pages, © 2010, <http://www.4sevens.com/>
 4Sevens, "Fenix Lights" and pages for "Fenix E20", "Fenix Digital LD10+", "Fenix Digital LD20+", "Fenix PD20+", and "Fenix PD30+ R4 Edition", 19 pages, © 2010, <http://www.4sevens.com/>
 Fenix Light, Fenix's Homepages: "New Products", and pages for "E21 Neutral White", "LD20 R4", "LD10 R4", "PD30 R4", "PD30", "LD20", "TK12", and "L Series", 46 pages, © 2007, <http://www.fenixlight.com/>

* cited by examiner

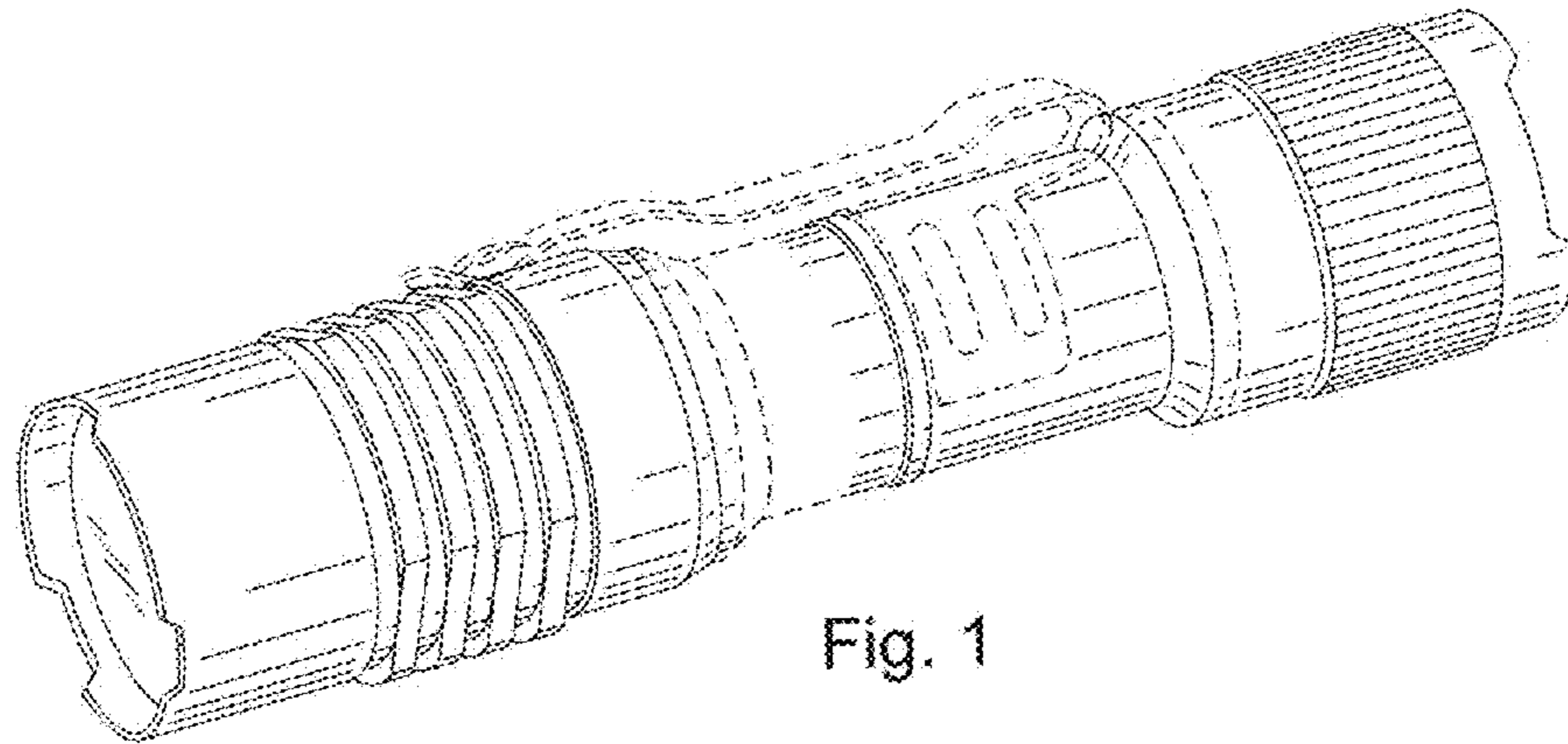


Fig. 1

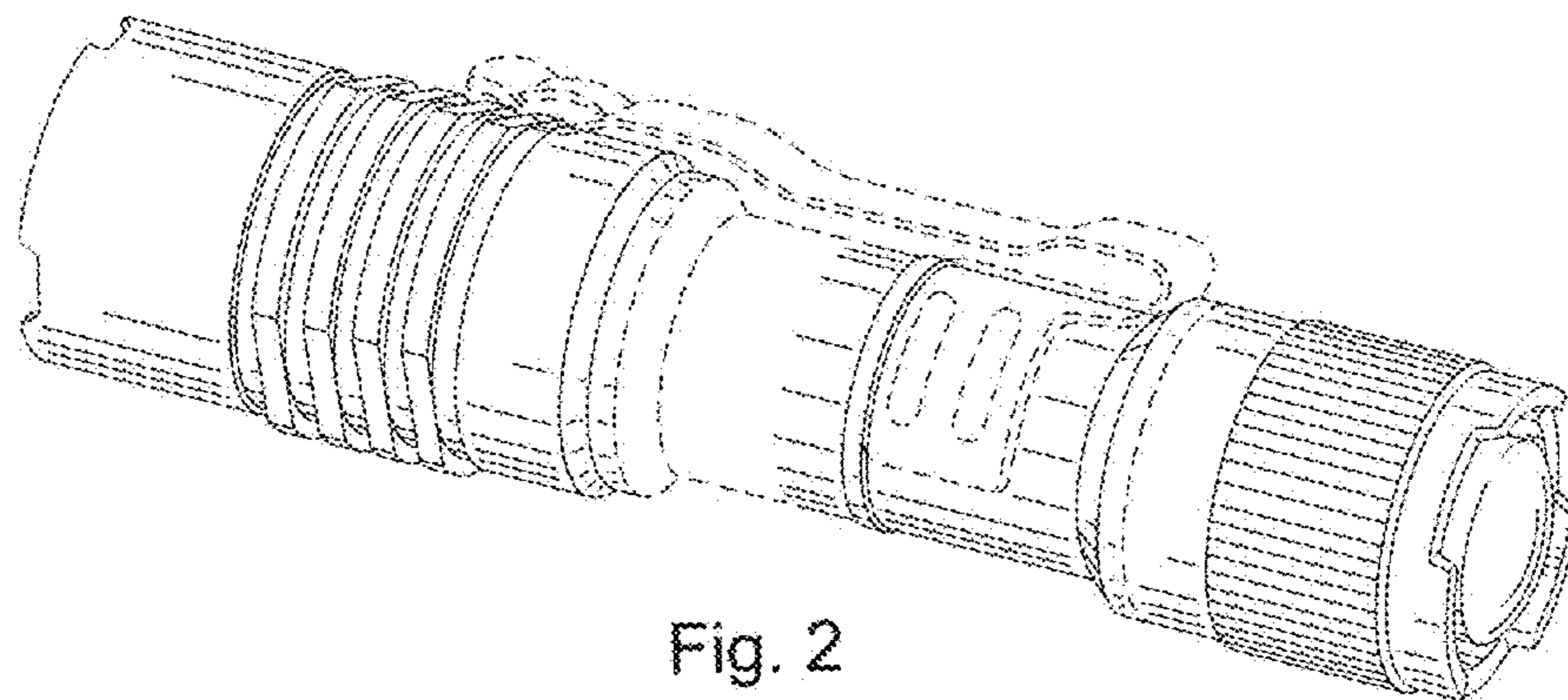


Fig. 2

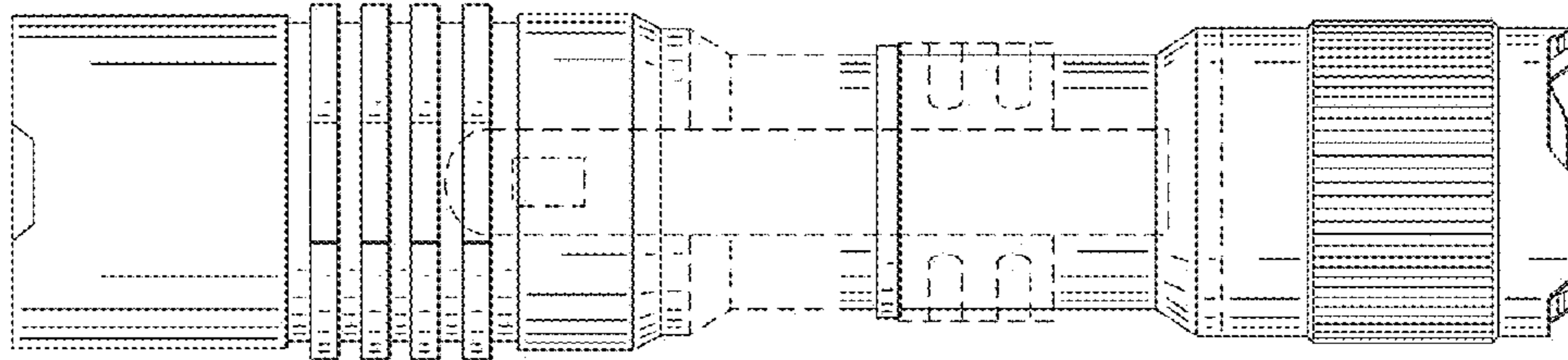


Fig. 3

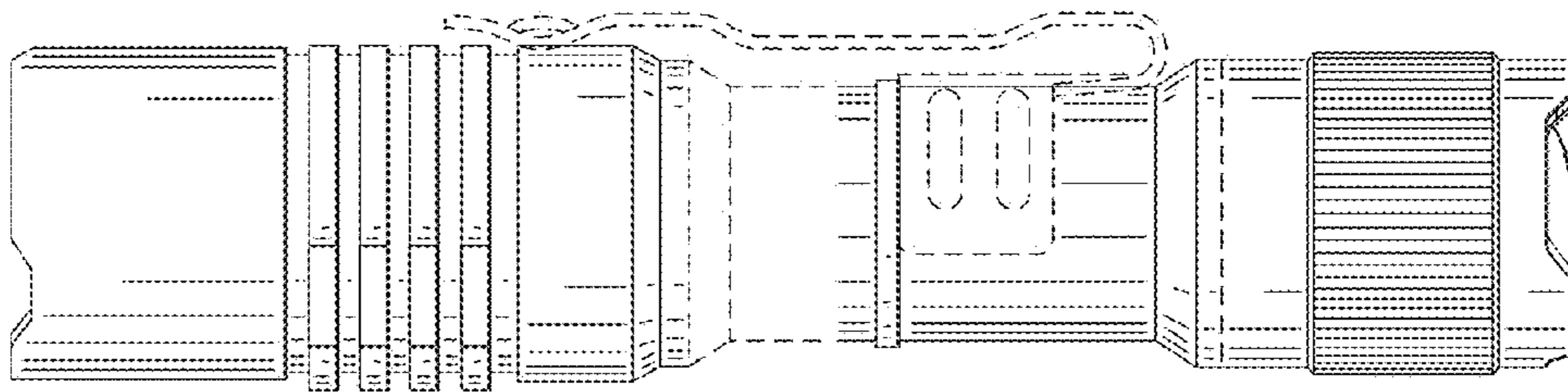


Fig. 4

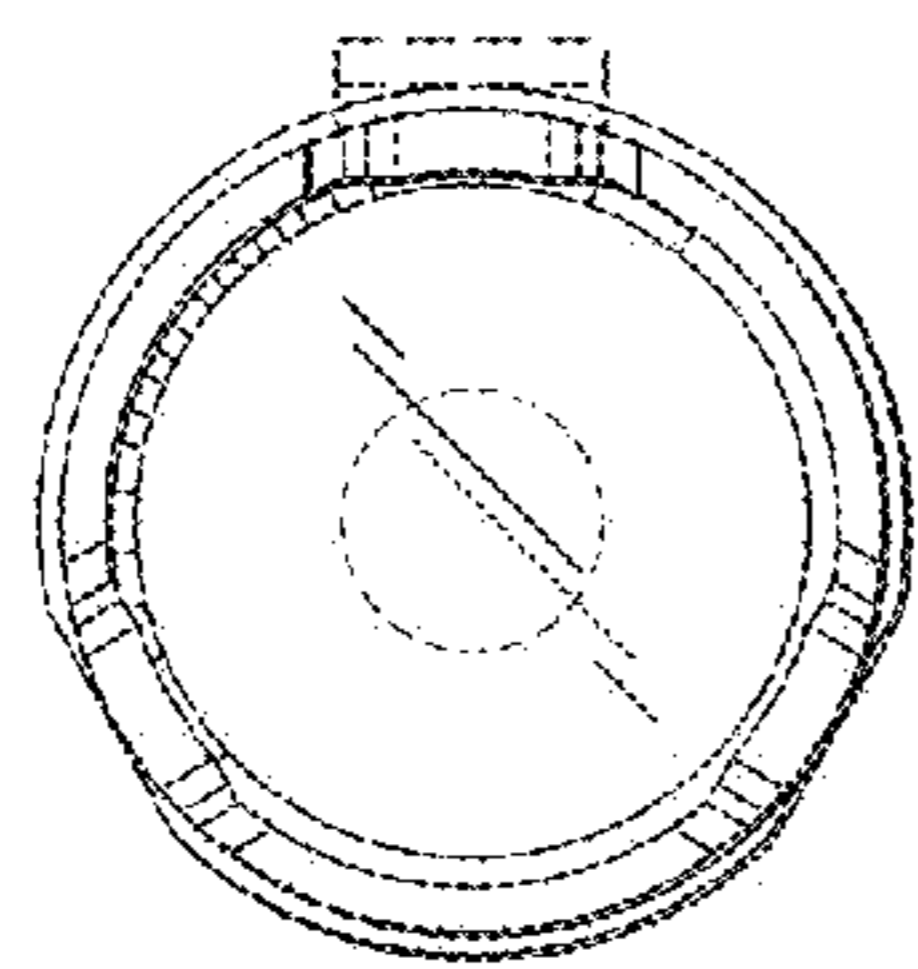


Fig. 5

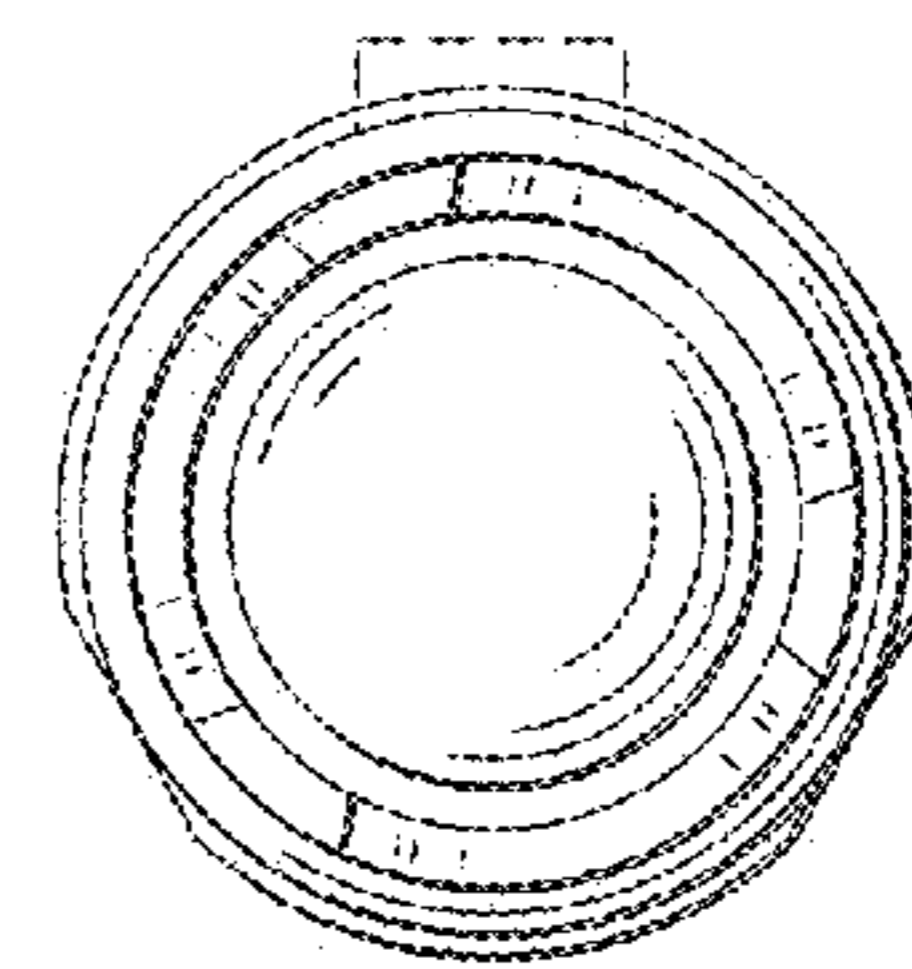


Fig. 6

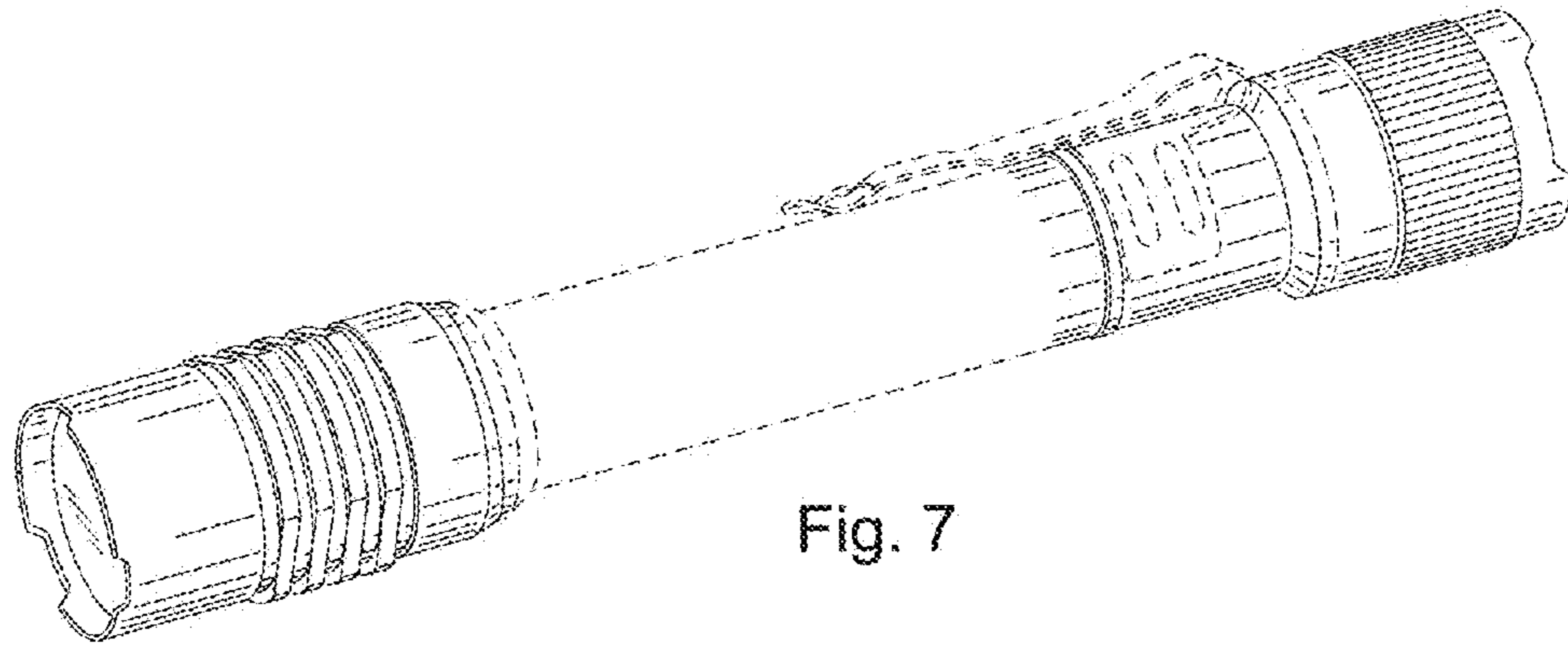


Fig. 7

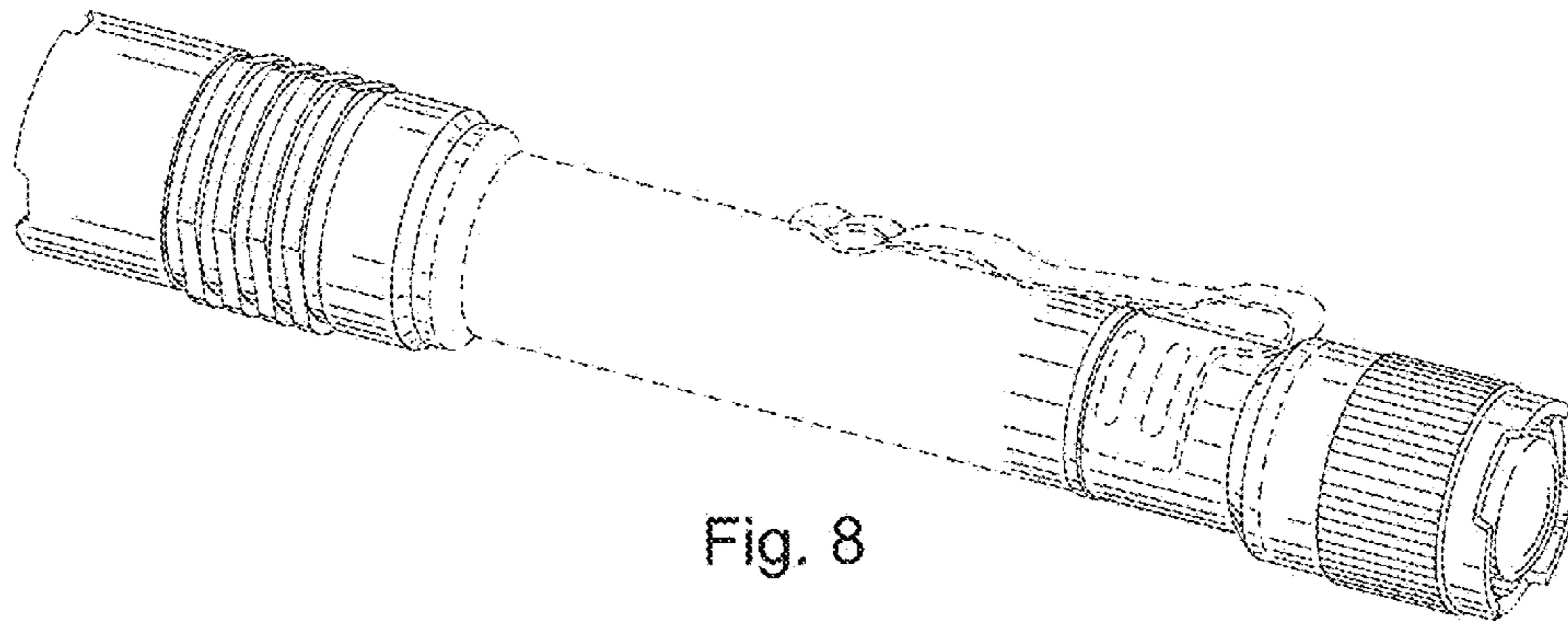


Fig. 8

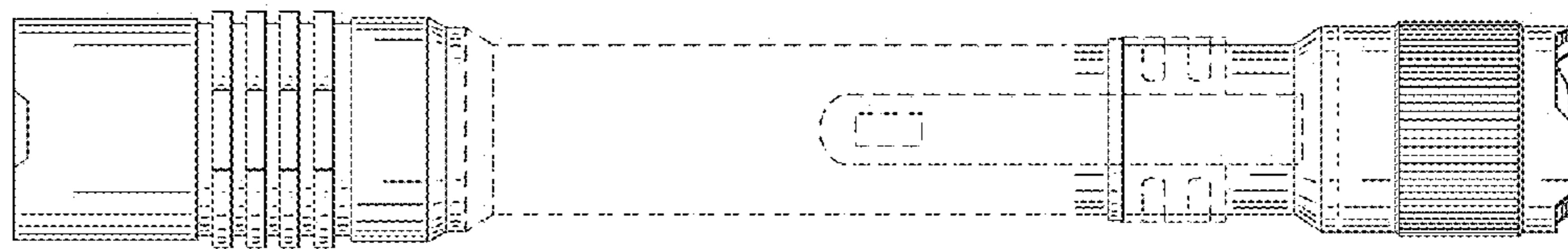


Fig. 9

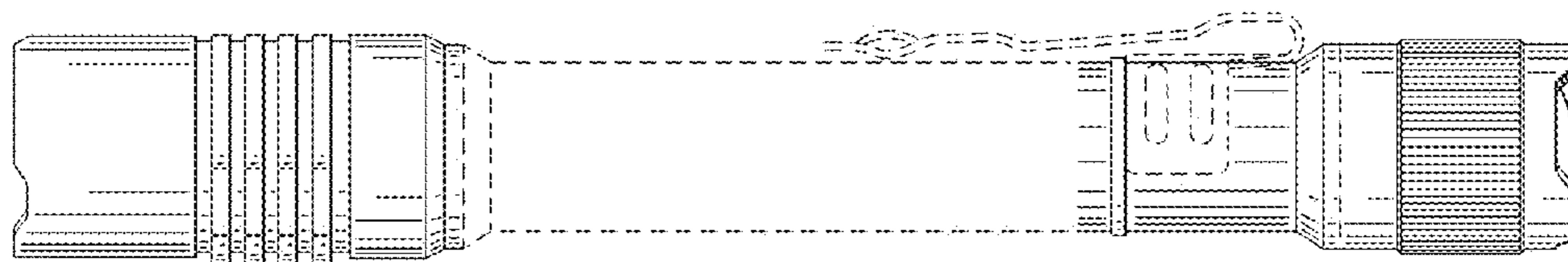


Fig. 10

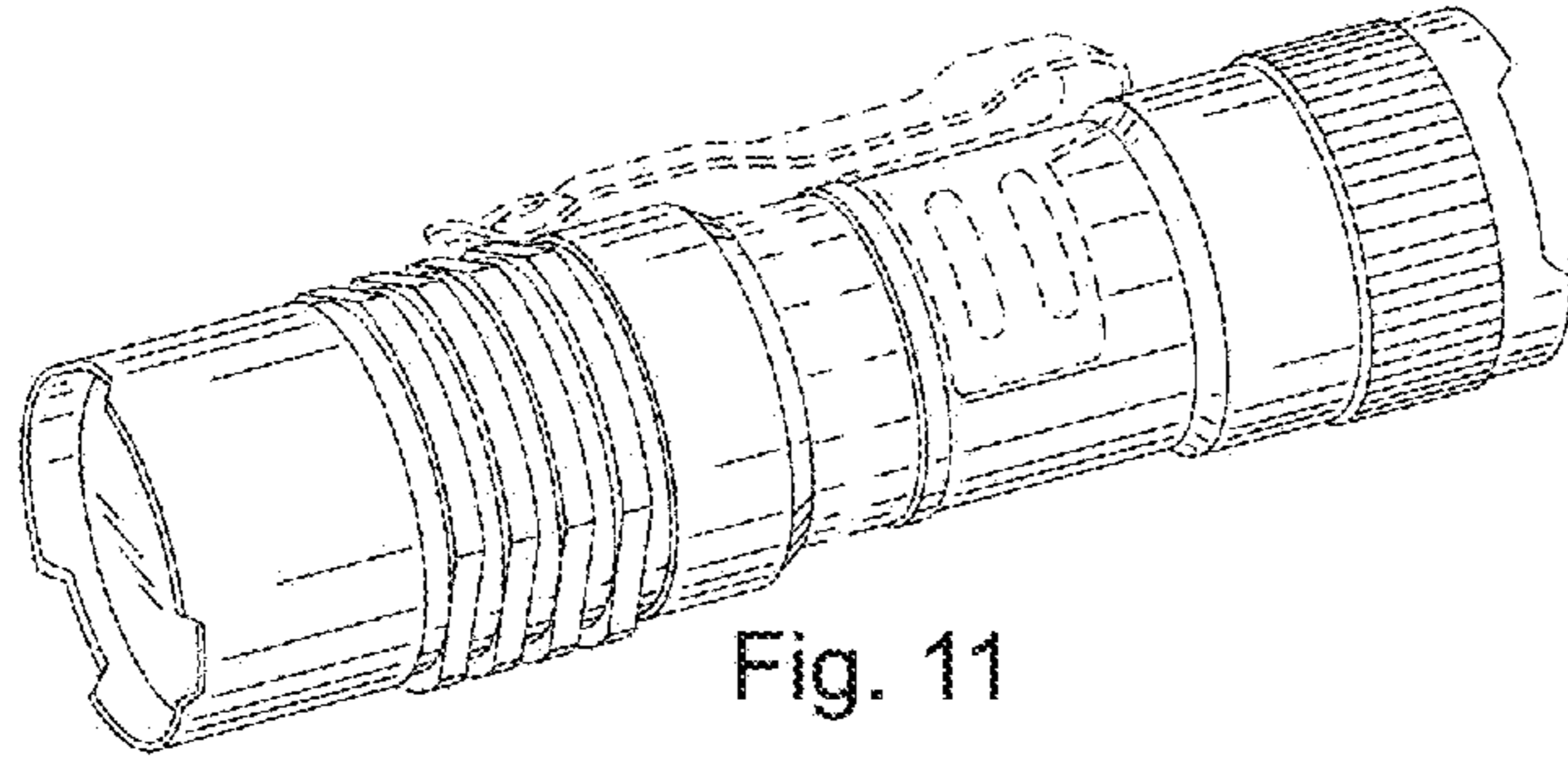


Fig. 11

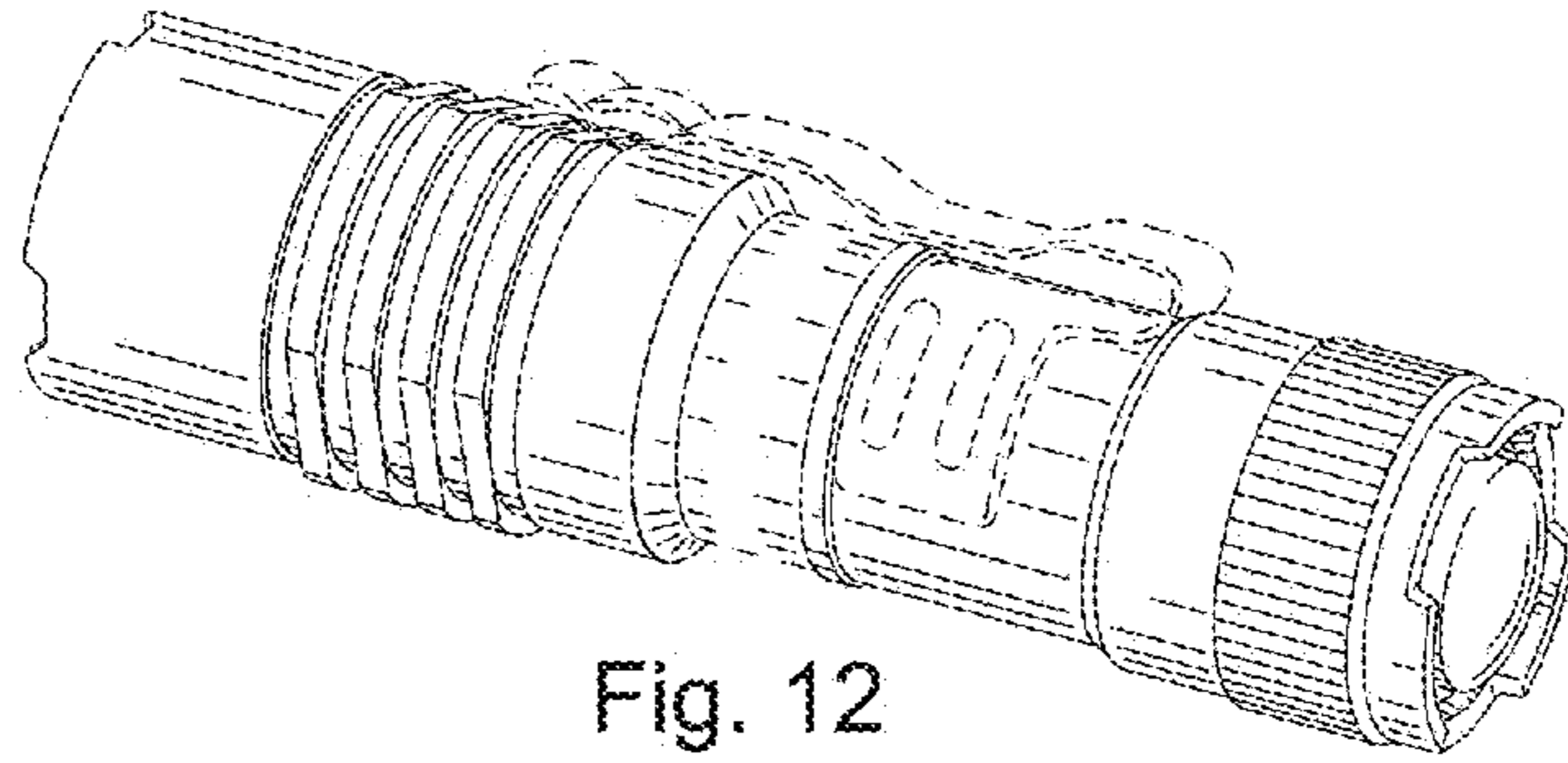


Fig. 12

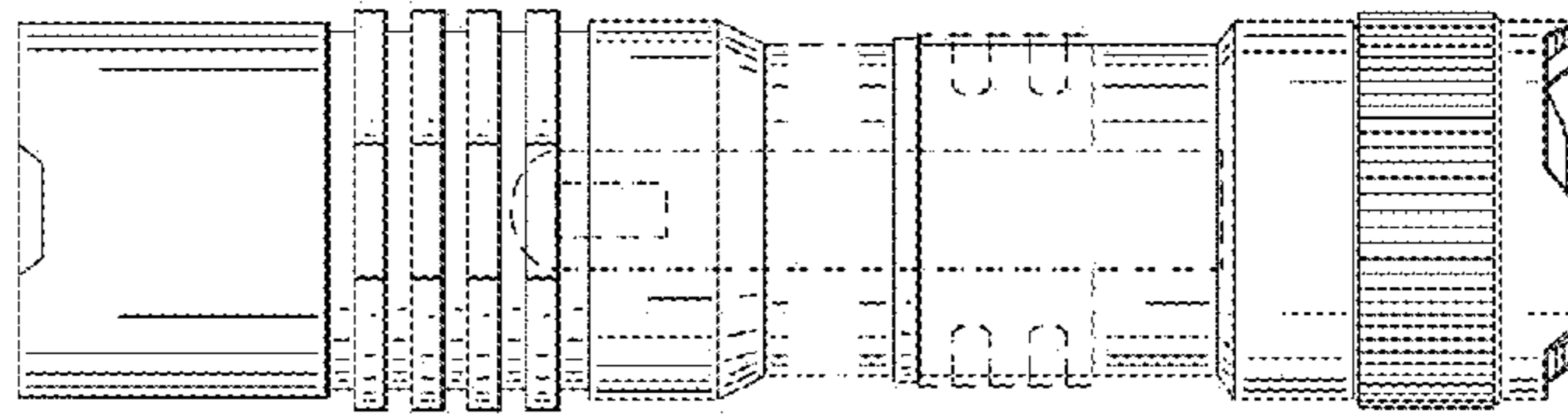


Fig. 13

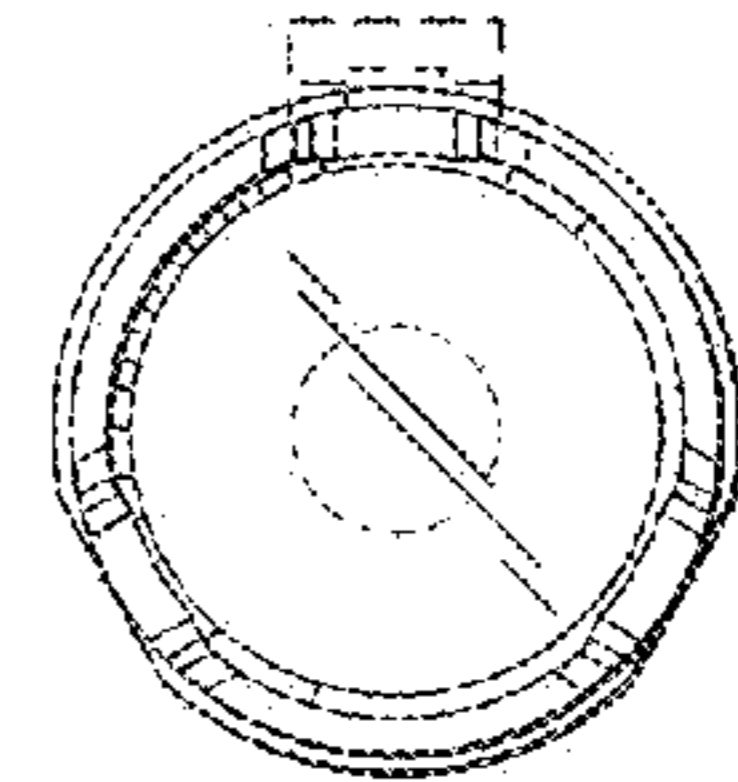


Fig. 15

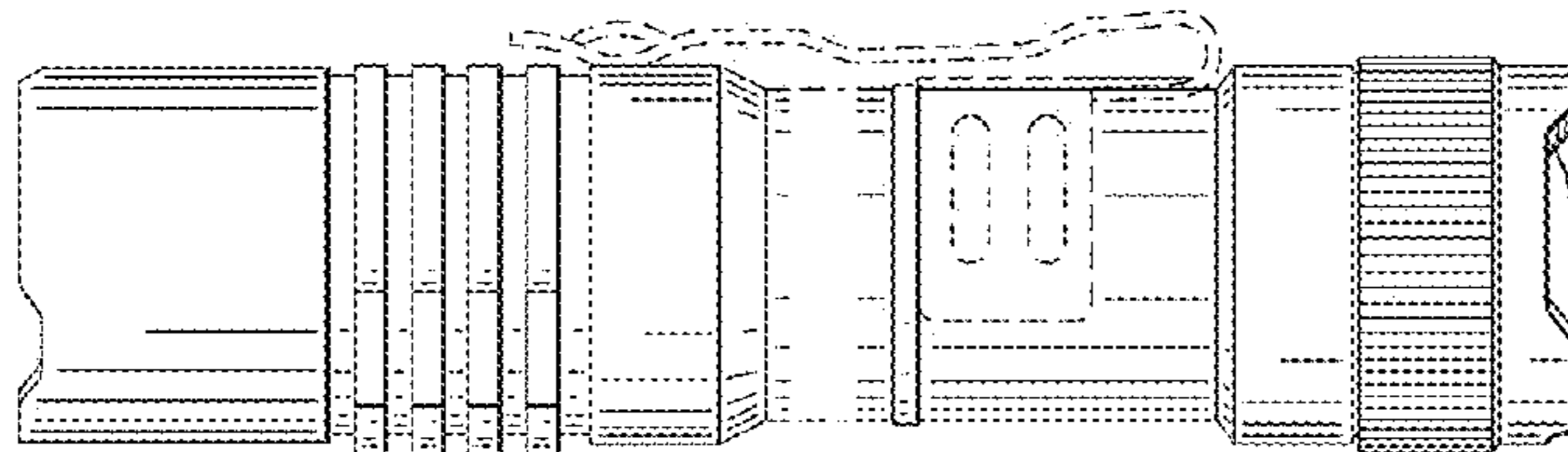


Fig. 14

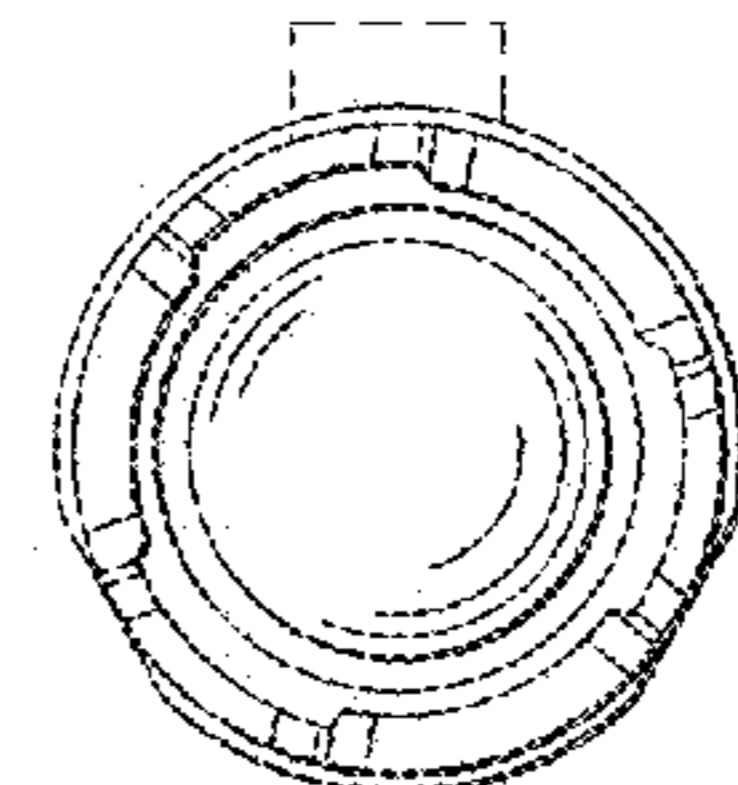


Fig. 16

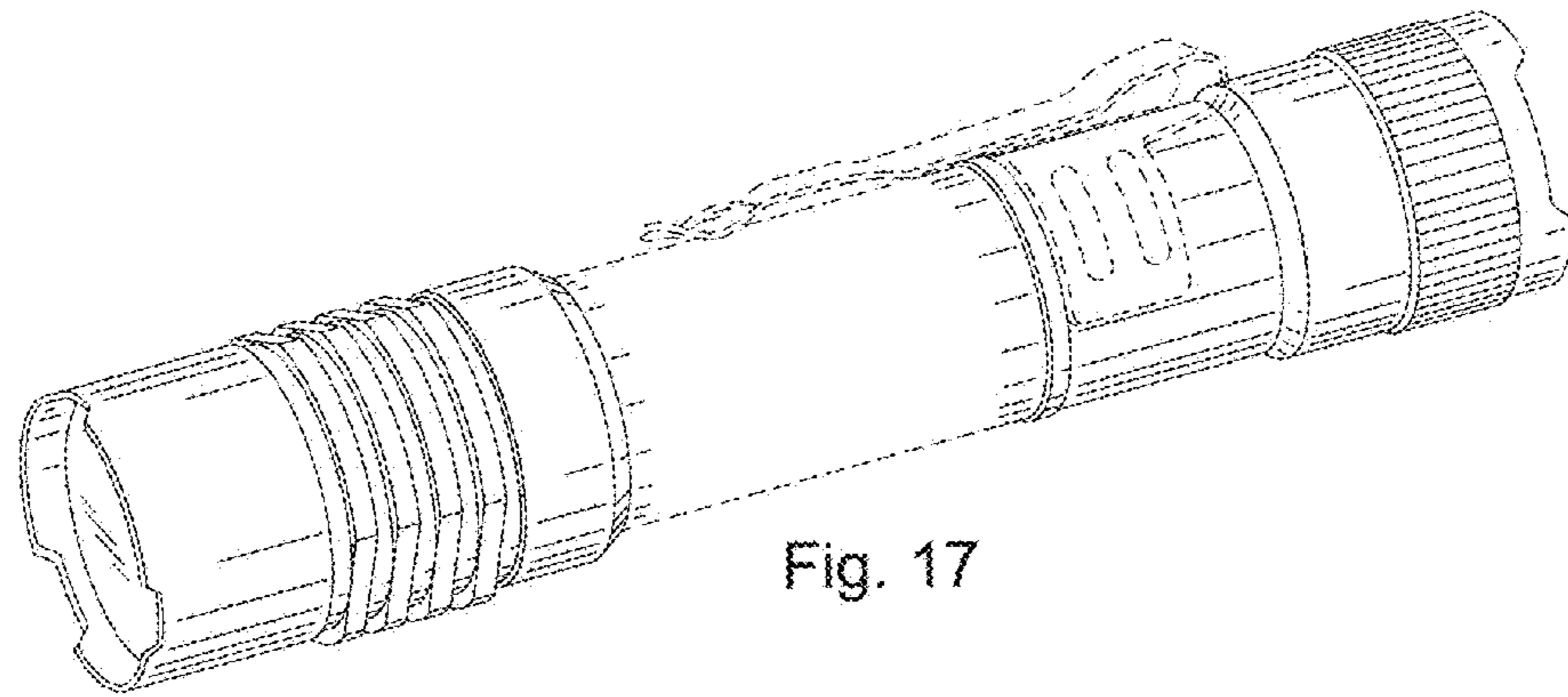


Fig. 17

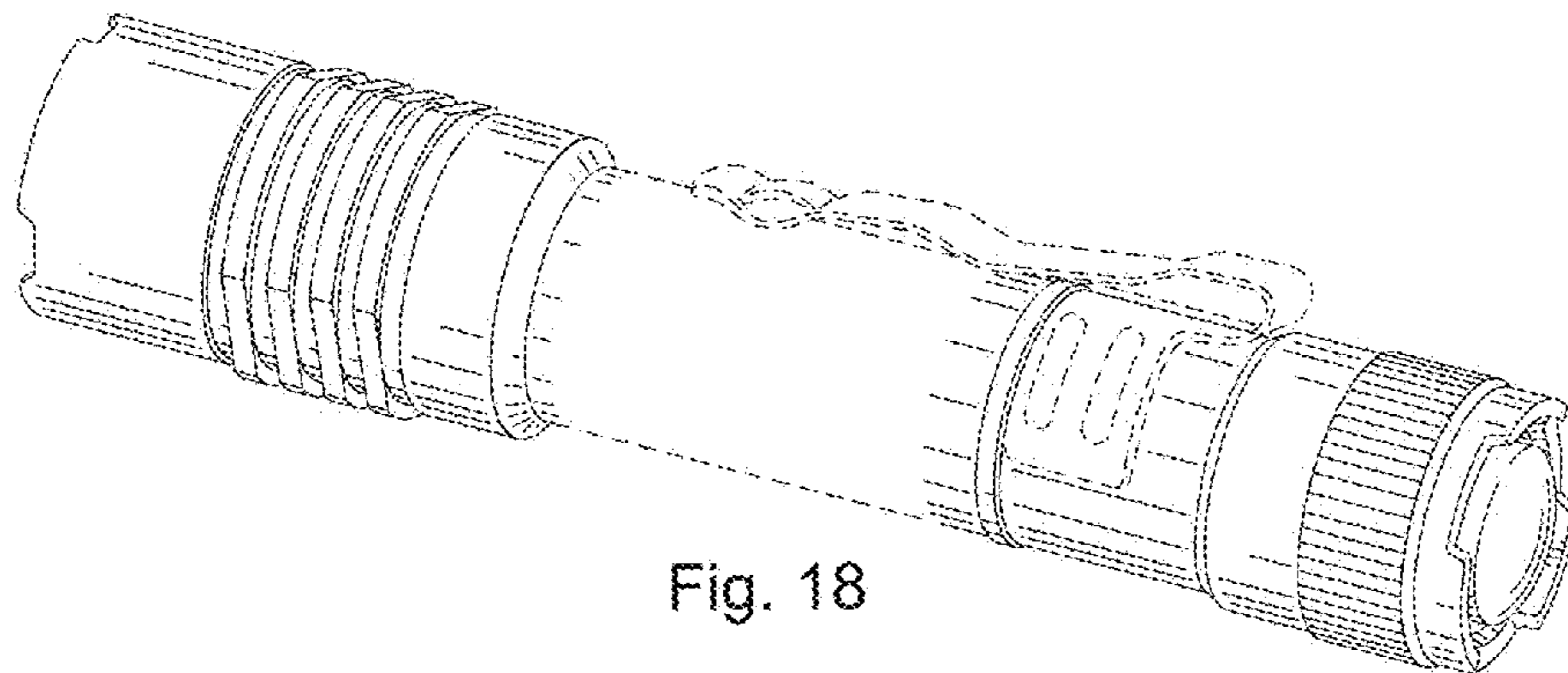


Fig. 18

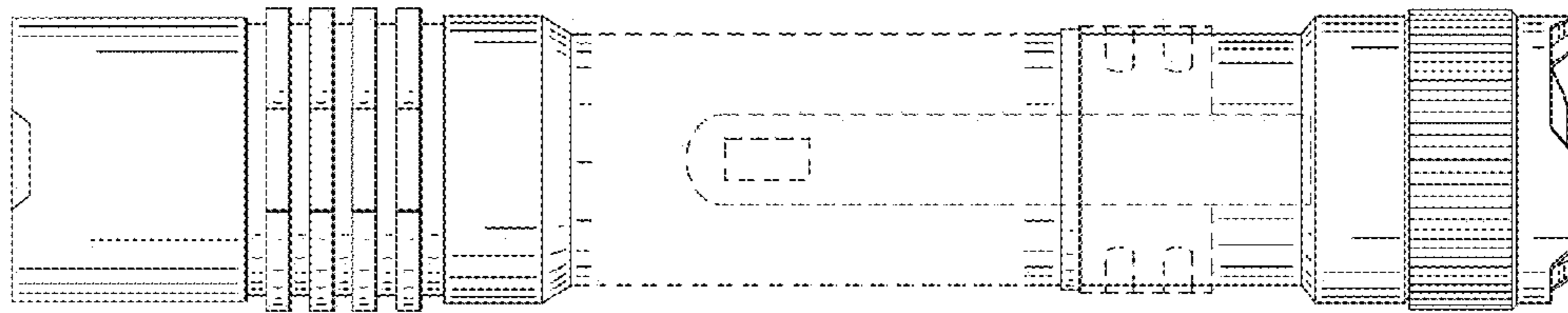


Fig. 19

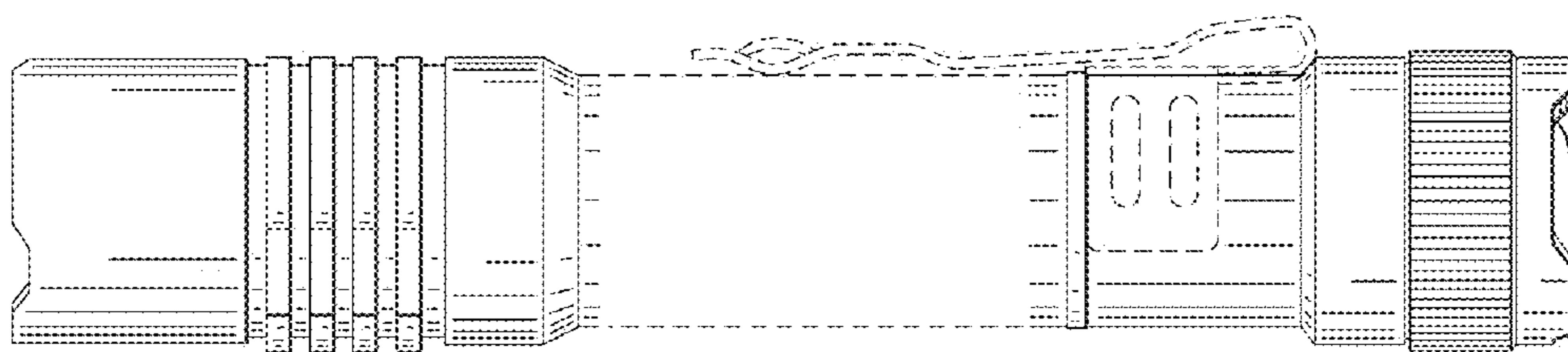


Fig. 20