



US00D688401S

(12) **United States Design Patent**  
**Kung**

(10) **Patent No.:** **US D688,401 S**

(45) **Date of Patent:** **\*\* Aug. 20, 2013**

(54) **LAMP UNIT**

(75) Inventor: **Kenneth Kung**, Columbus, OH (US)

(73) Assignee: **Dorcy International Inc.**, OH (US)

(\*\*) Term: **14 Years**

(21) Appl. No.: **29/403,938**

(22) Filed: **Oct. 13, 2011**

(51) **LOC (9) Cl.** ..... **26-02**

(52) **U.S. Cl.**  
USPC ..... **D26/46**

(58) **Field of Classification Search**  
USPC ..... D26/37, 38, 49, 46; 362/157, 158,  
362/184, 194-196, 202-208  
See application file for complete search history.

(56) **References Cited**

U.S. PATENT DOCUMENTS

D346,236 S *	4/1994	Yuen	.....	D26/46
D422,733 S *	4/2000	Kung	.....	D26/49
D425,231 S *	5/2000	Lynch et al.	.....	D26/49
D452,025 S *	12/2001	Poon	.....	D26/49
D507,370 S *	7/2005	Marshall et al.	.....	D26/37
D516,234 S *	2/2006	Holsinger et al.	.....	D26/37

D544,118 S *	6/2007	Osiecki et al.	.....	D26/37
D554,786 S *	11/2007	Rugendyke et al.	.....	D26/49
D586,488 S *	2/2009	Kung	.....	D26/49
D593,694 S *	6/2009	Bent	.....	D26/37
D606,689 S *	12/2009	Bent	.....	D26/48
D625,865 S *	10/2010	Poon	.....	D26/48
D656,260 S *	3/2012	Kung	.....	D26/49

\* cited by examiner

*Primary Examiner* — Ian Simmons  
*Assistant Examiner* — Carissa C Fitts

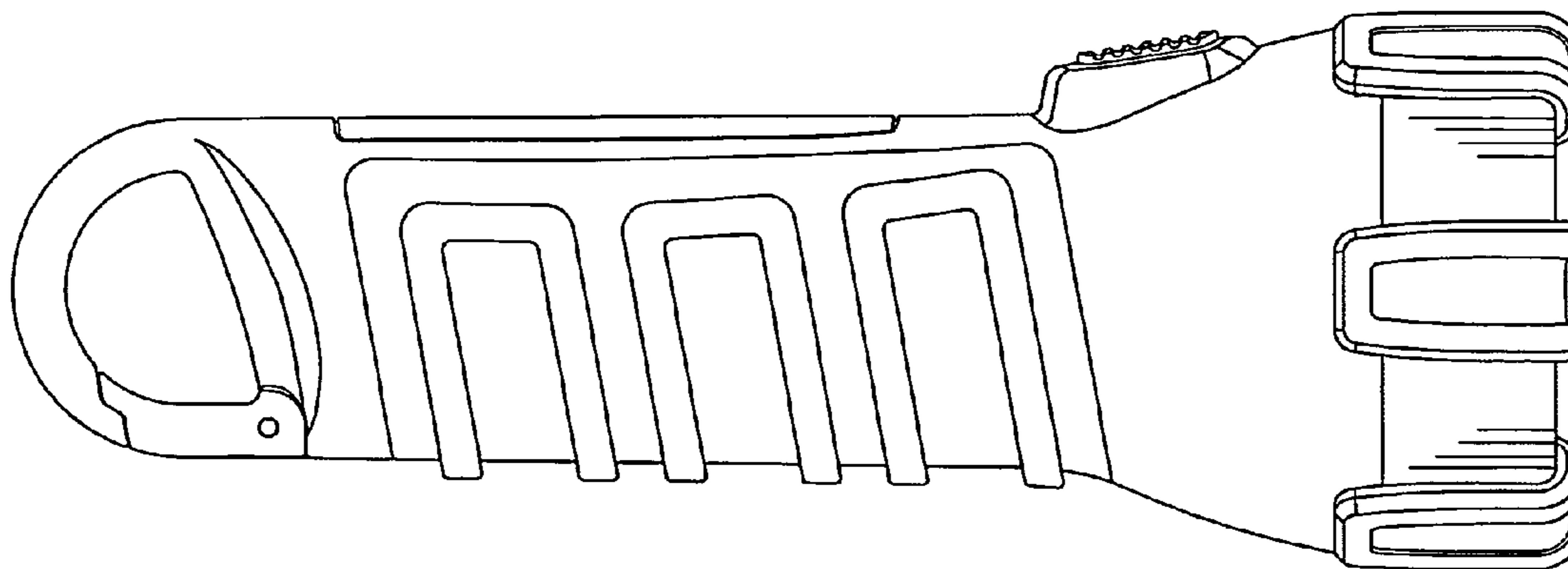
(57) **CLAIM**

The ornamental design for a lamp unit, as shown and described.

**DESCRIPTION**

FIG. 1 is a front elevational view of a lamp unit showing my new design;  
FIG. 2 is a rear elevational view thereof;  
FIG. 3 is a left side view thereof;  
FIG. 4 is a right side view thereof;  
FIG. 5 is a top plan view thereof; and,  
FIG. 6 is a bottom plan view thereof.  
The broken lines showing is for environmental purposes only and forms no part of the claimed design.

**1 Claim, 3 Drawing Sheets**



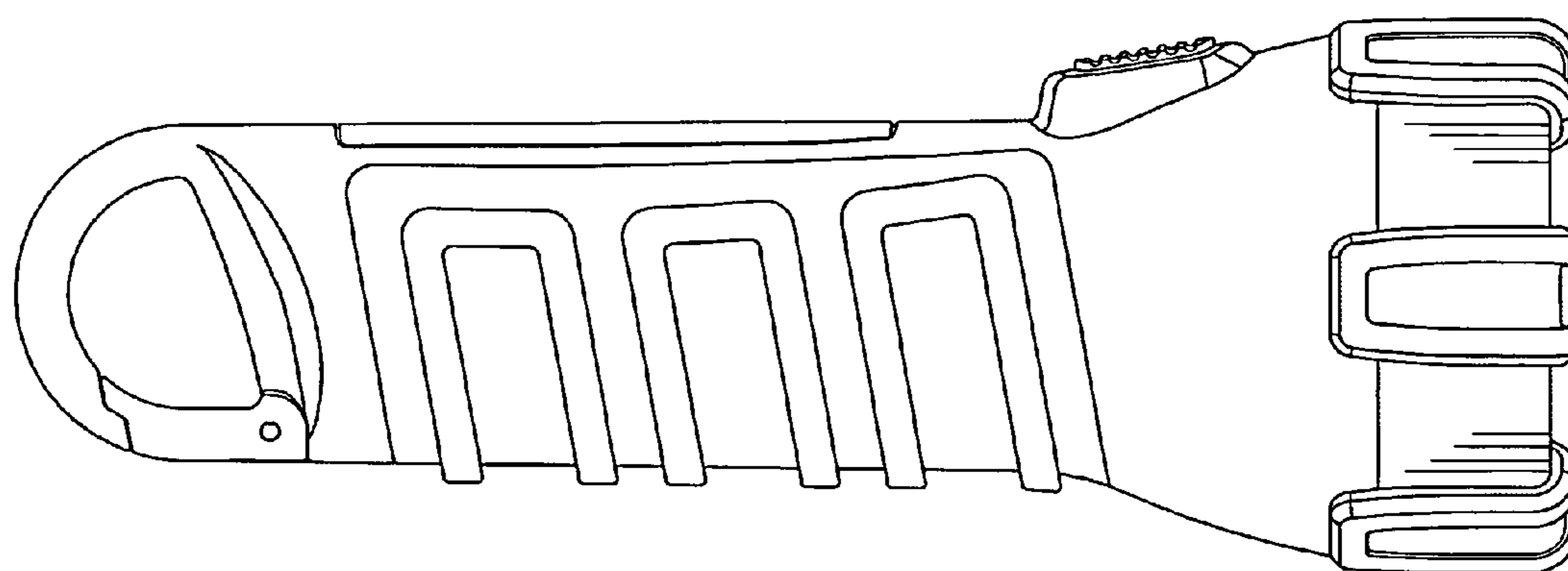


FIG. 1

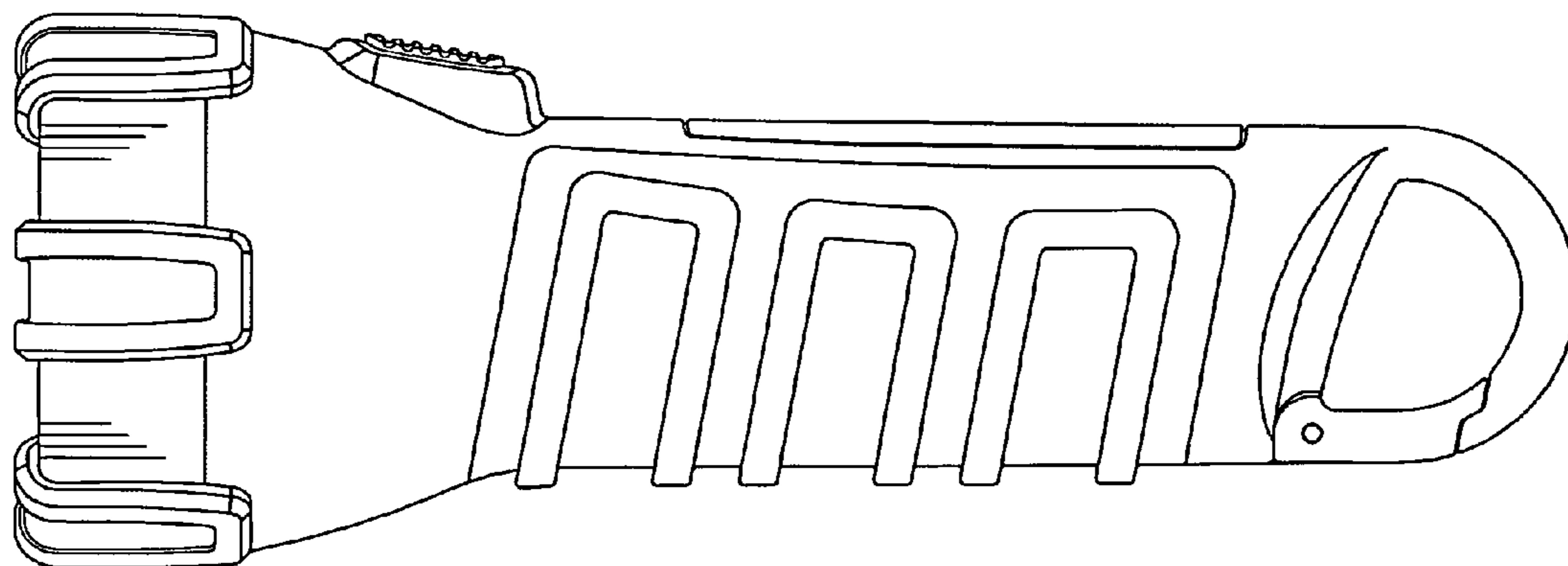


FIG. 2

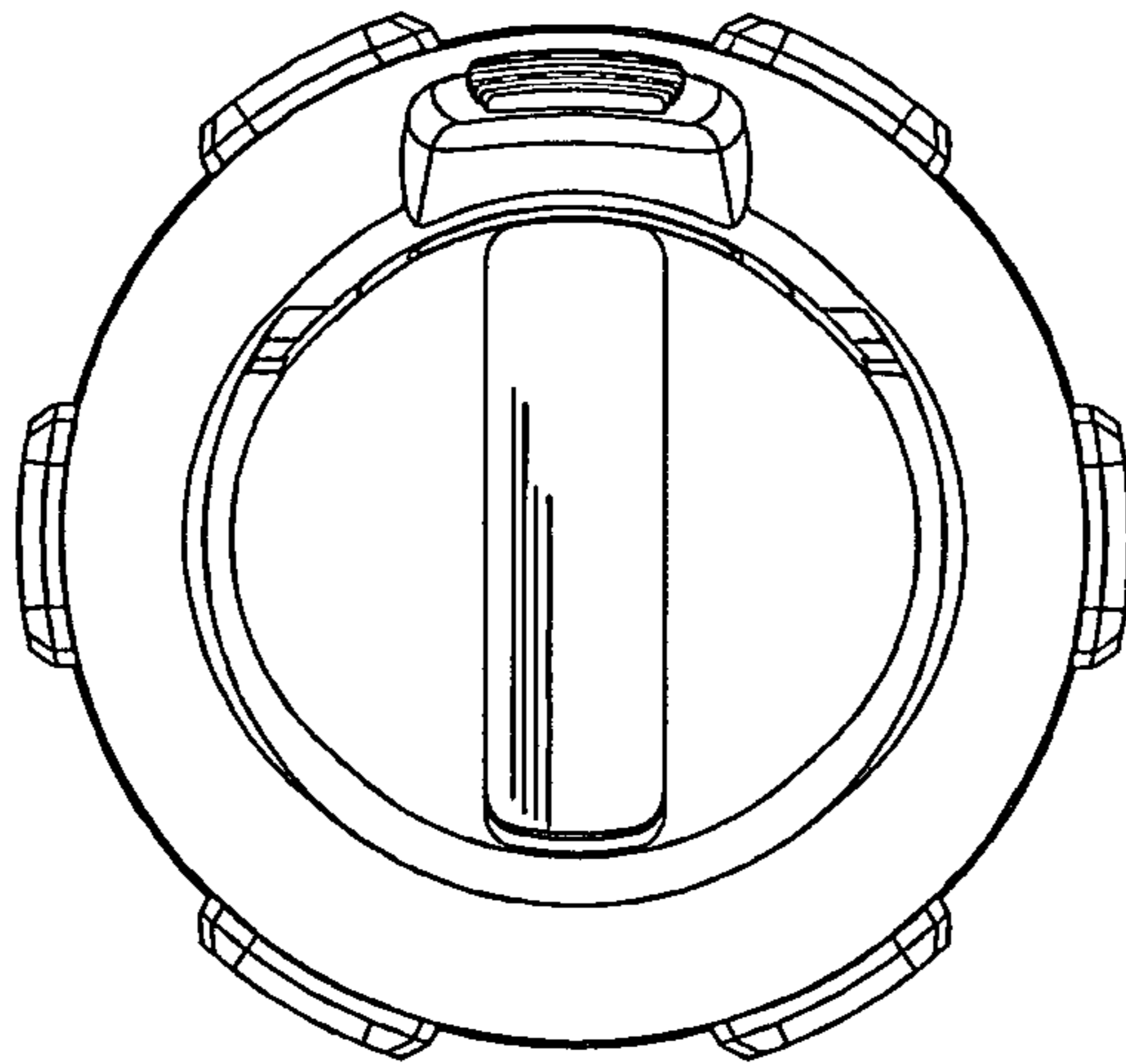


FIG. 3

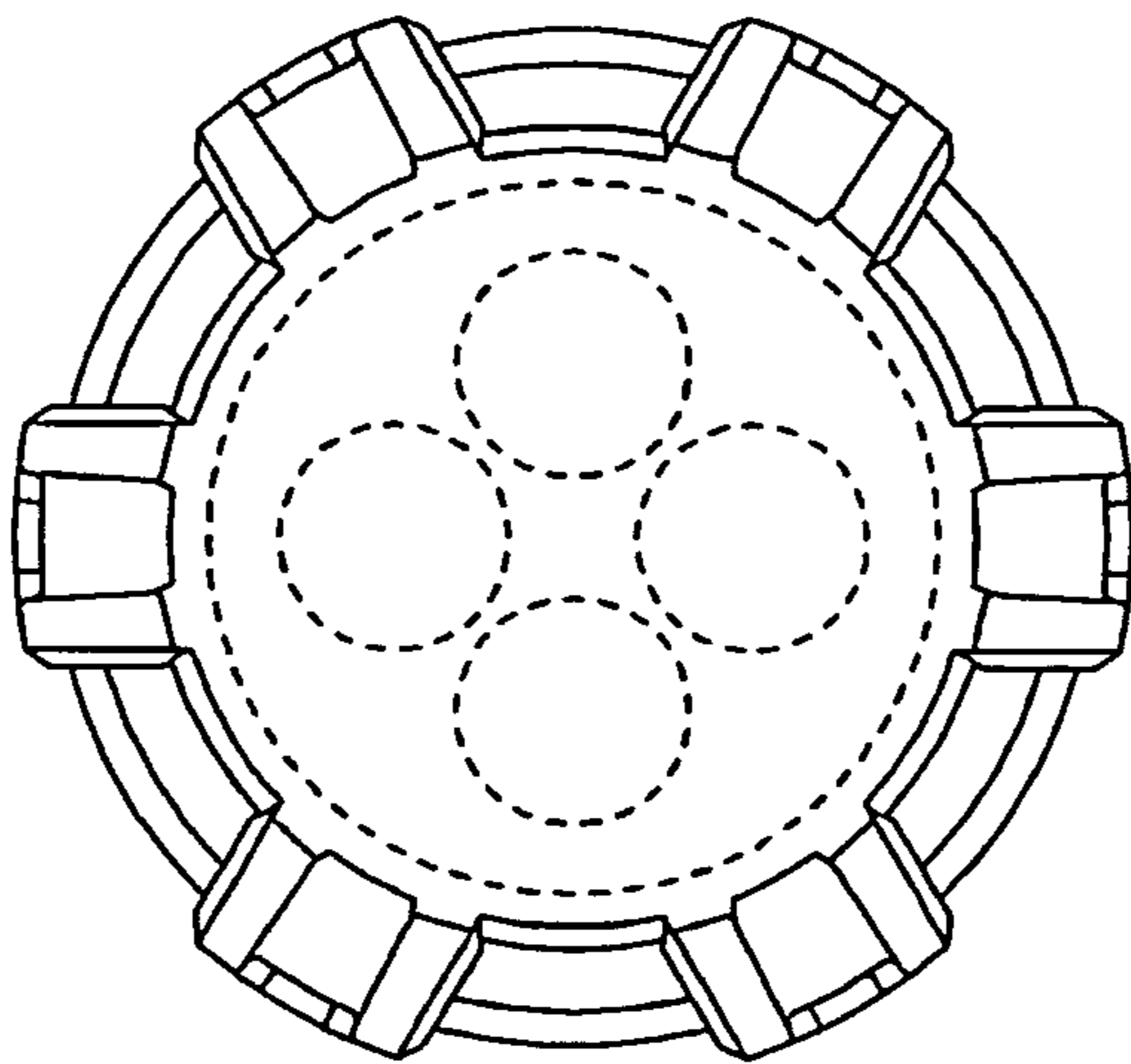


FIG. 4

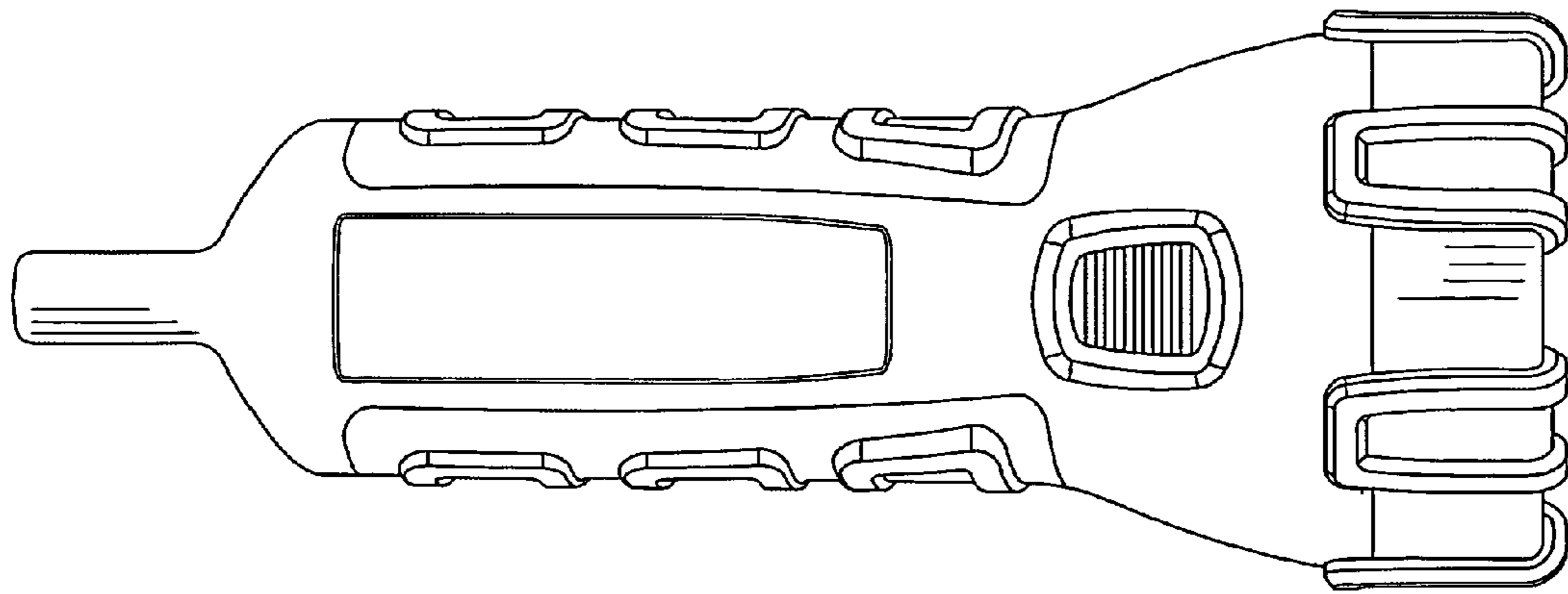


FIG. 5

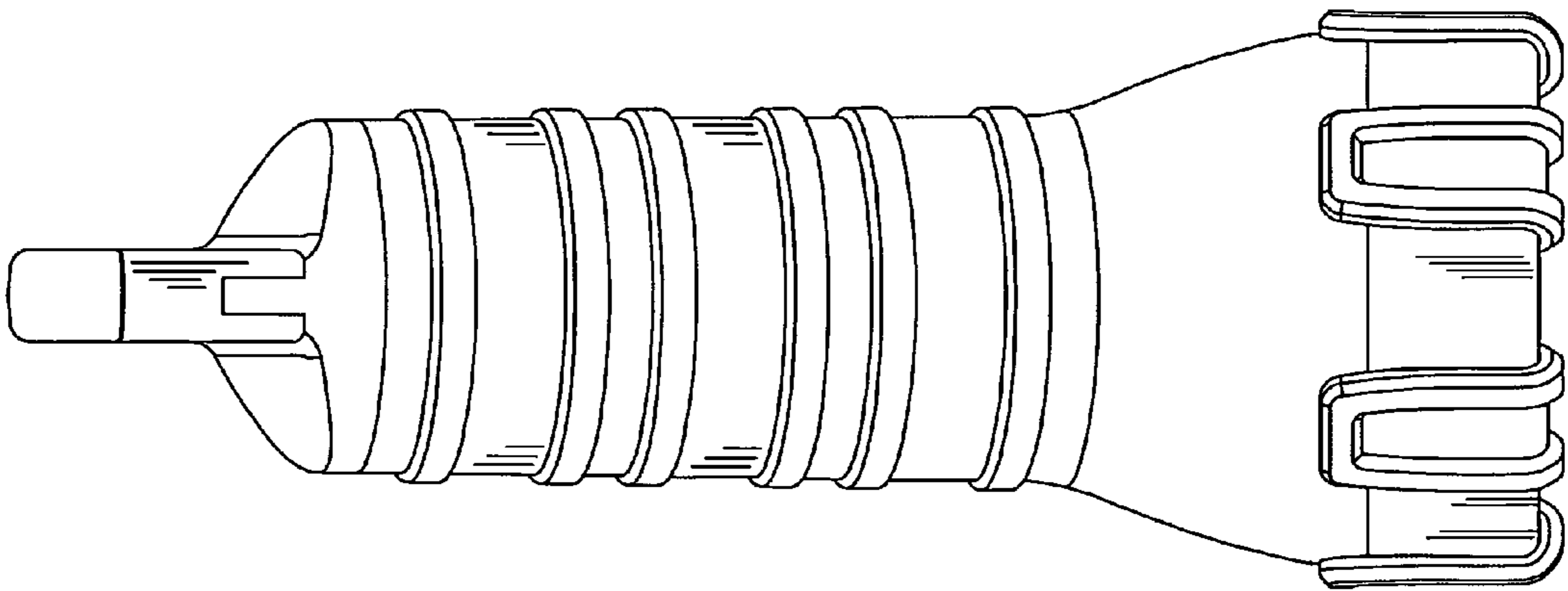


FIG. 6