



US00D688400S

(12) **United States Design Patent**  
**Haumann**

(10) **Patent No.:** **US D688,400 S**

(45) **Date of Patent:** **\*\* Aug. 20, 2013**

(54) **HEADLIGHT**

(75) Inventor: **Rainer Haumann**, Neu-Anspach (DE)

(73) Assignee: **Proplast Fahrzeugbeleuchtung GmbH**  
(DE)

(\*\*) Term: **14 Years**

(21) Appl. No.: **29/429,183**

(22) Filed: **Aug. 8, 2012**

(51) **LOC (9) Cl.** ..... **26-06**

(52) **U.S. Cl.**  
USPC ..... **D26/28**

(58) **Field of Classification Search**  
USPC ..... D26/28-36; 362/459-468, 475-478,  
362/485-487

See application file for complete search history.

(56) **References Cited**

U.S. PATENT DOCUMENTS

D490,172 S \* 5/2004 Yamamoto ..... D26/28  
D544,110 S \* 6/2007 Hooker et al. .... D26/2  
D554,279 S \* 10/2007 Jeffries ..... D26/28  
D570,009 S \* 5/2008 Kani et al. .... D26/28

D574,978 S \* 8/2008 Hyodo et al. .... D26/28  
D585,575 S \* 1/2009 Crispin et al. .... D26/28  
D605,789 S \* 12/2009 Ko ..... D26/28

\* cited by examiner

*Primary Examiner* — Marcus Jackson

(74) *Attorney, Agent, or Firm* — Kaplan Breyer Schwarz & Ottesen, LLP

(57) **CLAIM**

The ornamental design for a headlight, as shown and described.

**DESCRIPTION**

FIG. 1 is a perspective view of a headlight, showing my new design.

FIG. 2 is a front elevational view thereof;

FIG. 3 is a rear elevational view thereof;

FIG. 4 is a right side elevational view thereof;

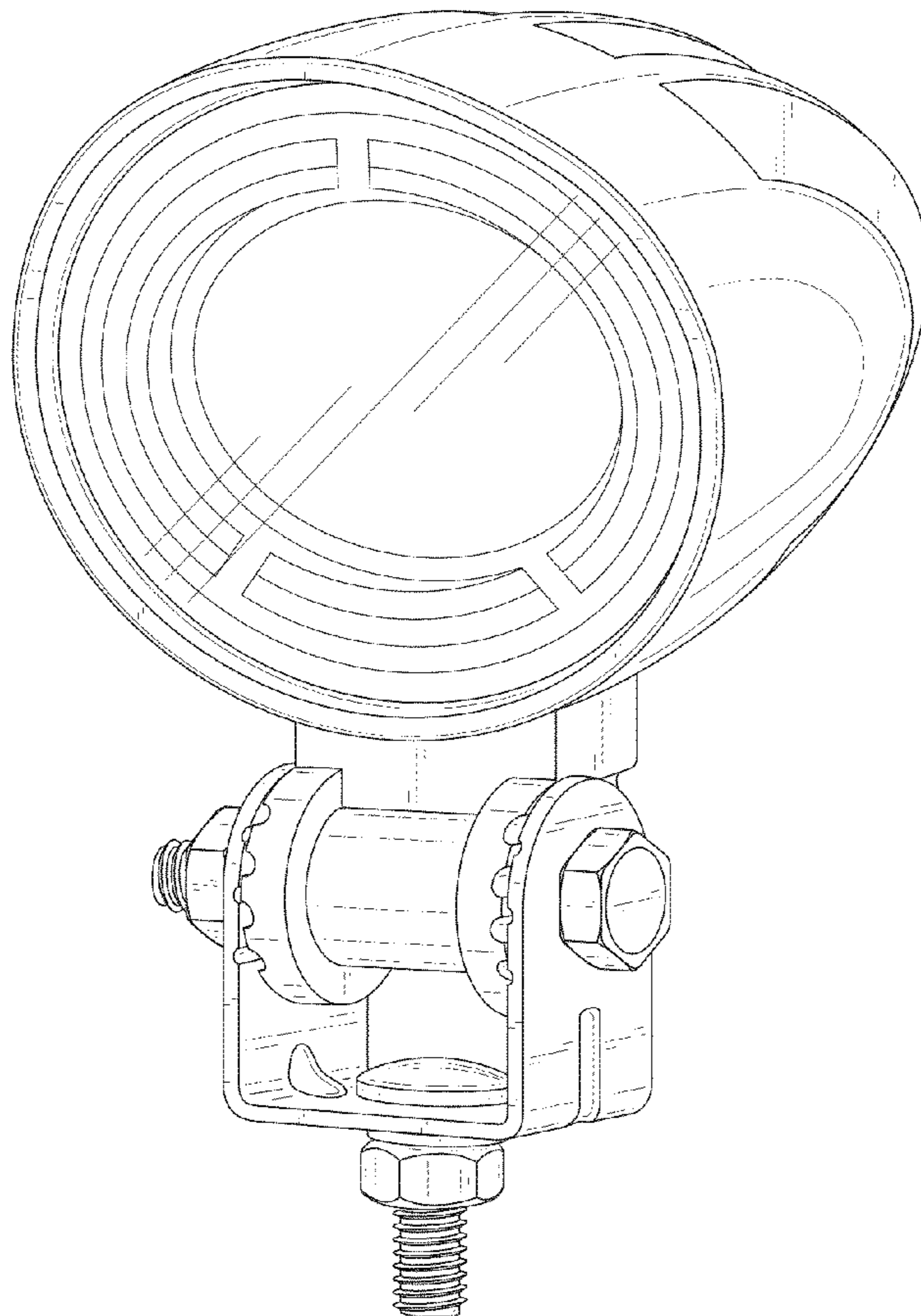
FIG. 5 is a left side elevational view thereof;

FIG. 6 is a top plan view thereof; and,

FIG. 7 is a bottom plan view thereof.

The broken lines shown in FIGS. 4-7 are for illustrative purposes only and form no part of the claimed design.

**1 Claim, 7 Drawing Sheets**



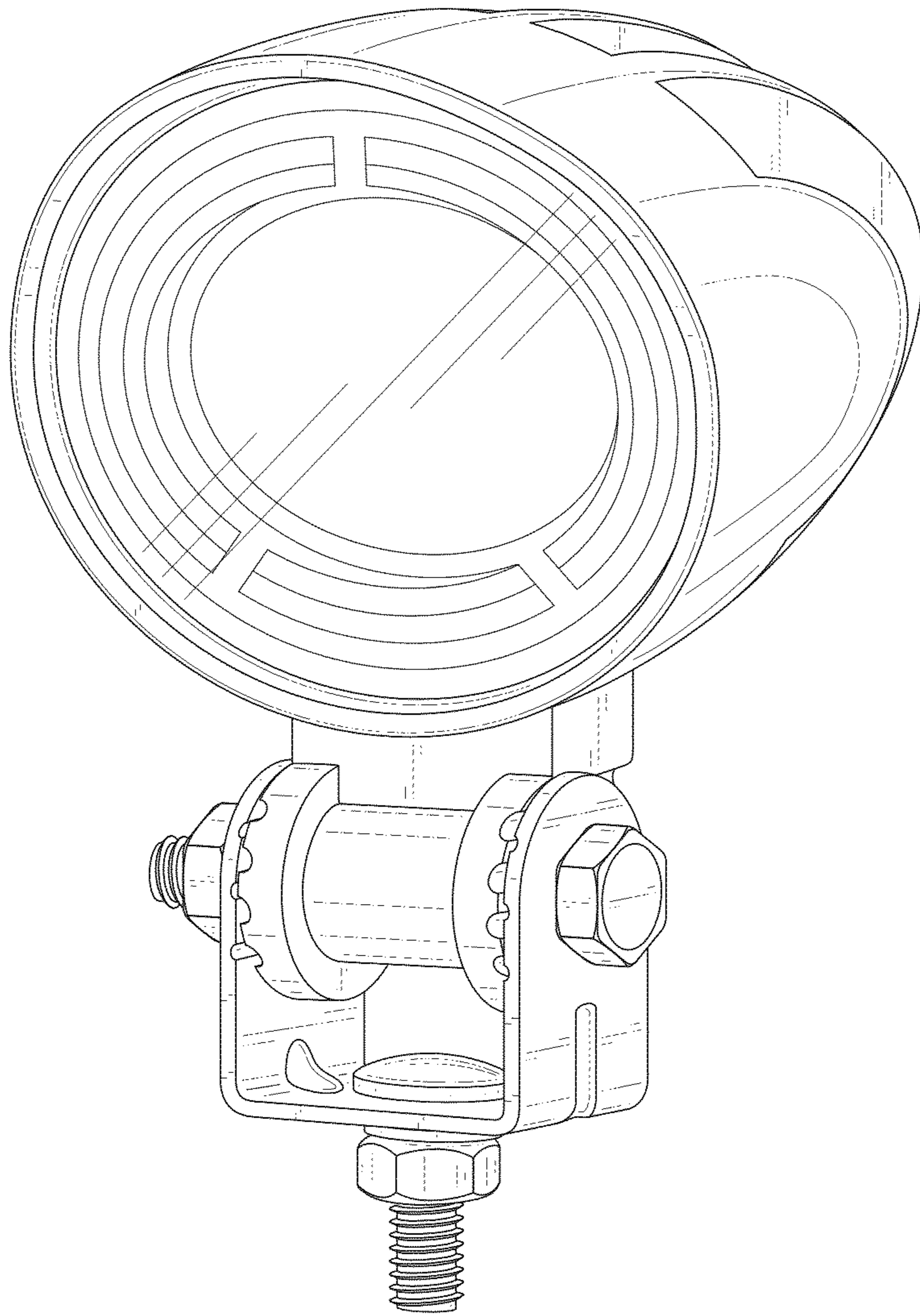


FIG. 1

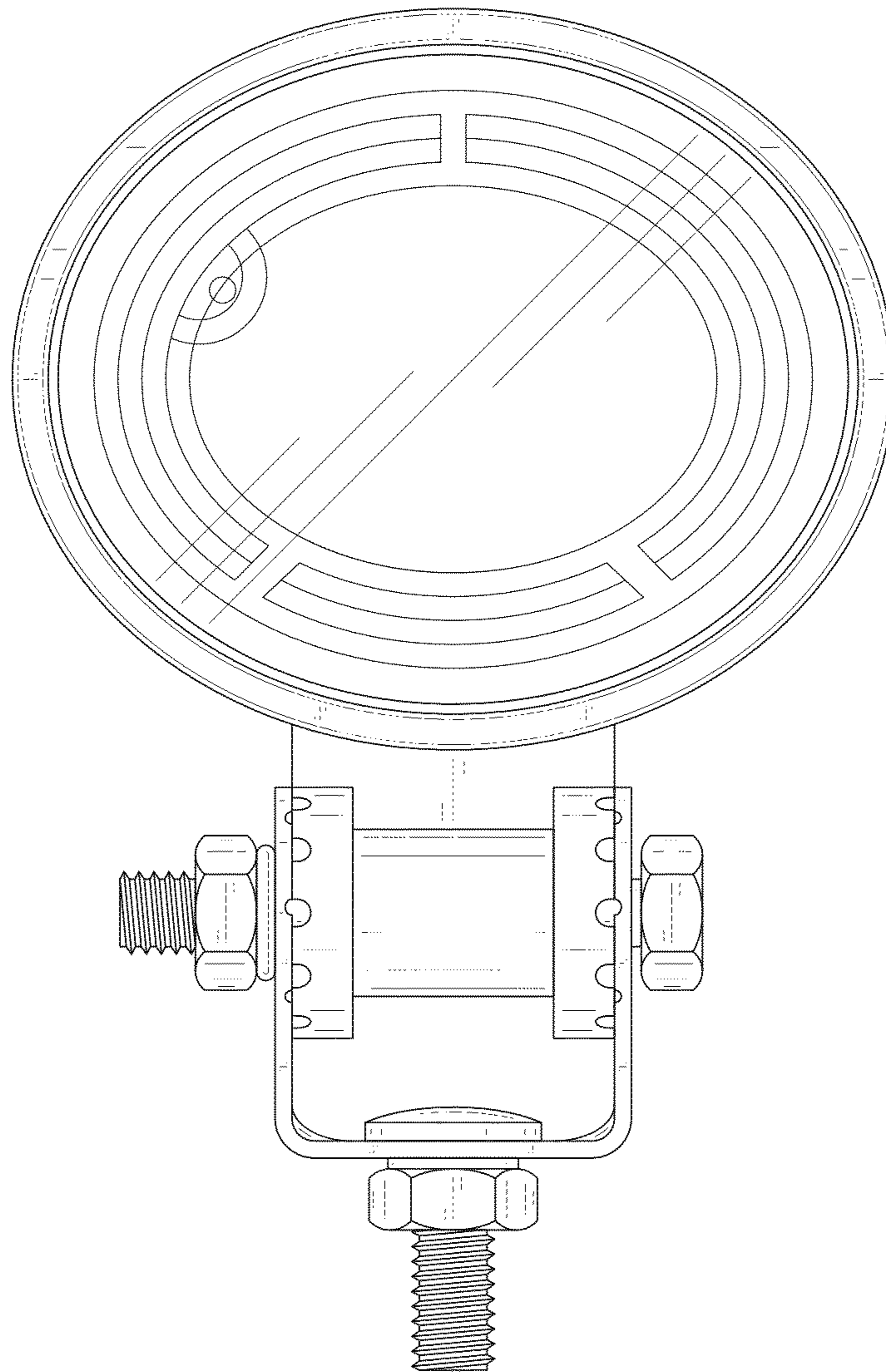


FIG. 2

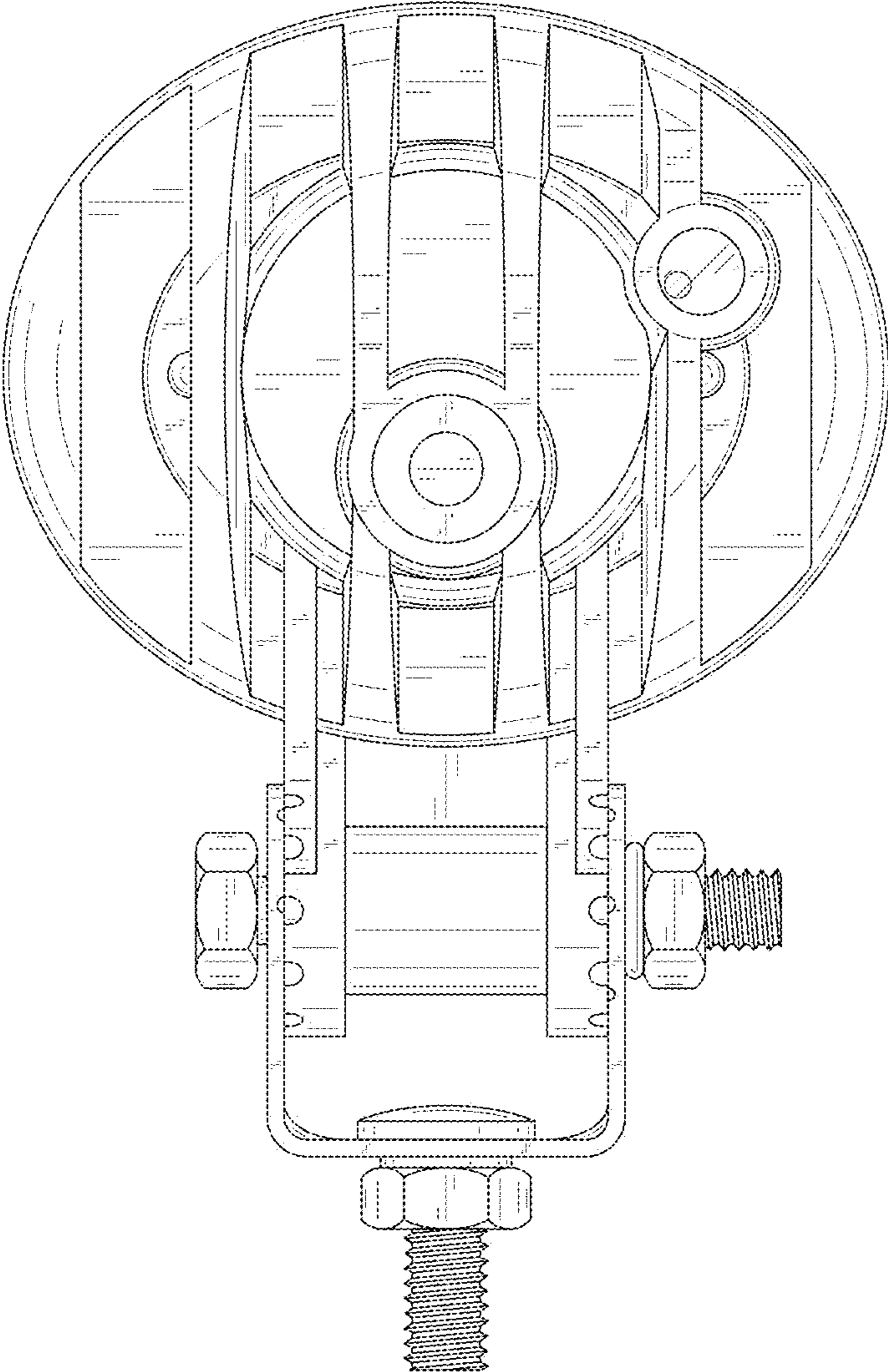


FIG. 3

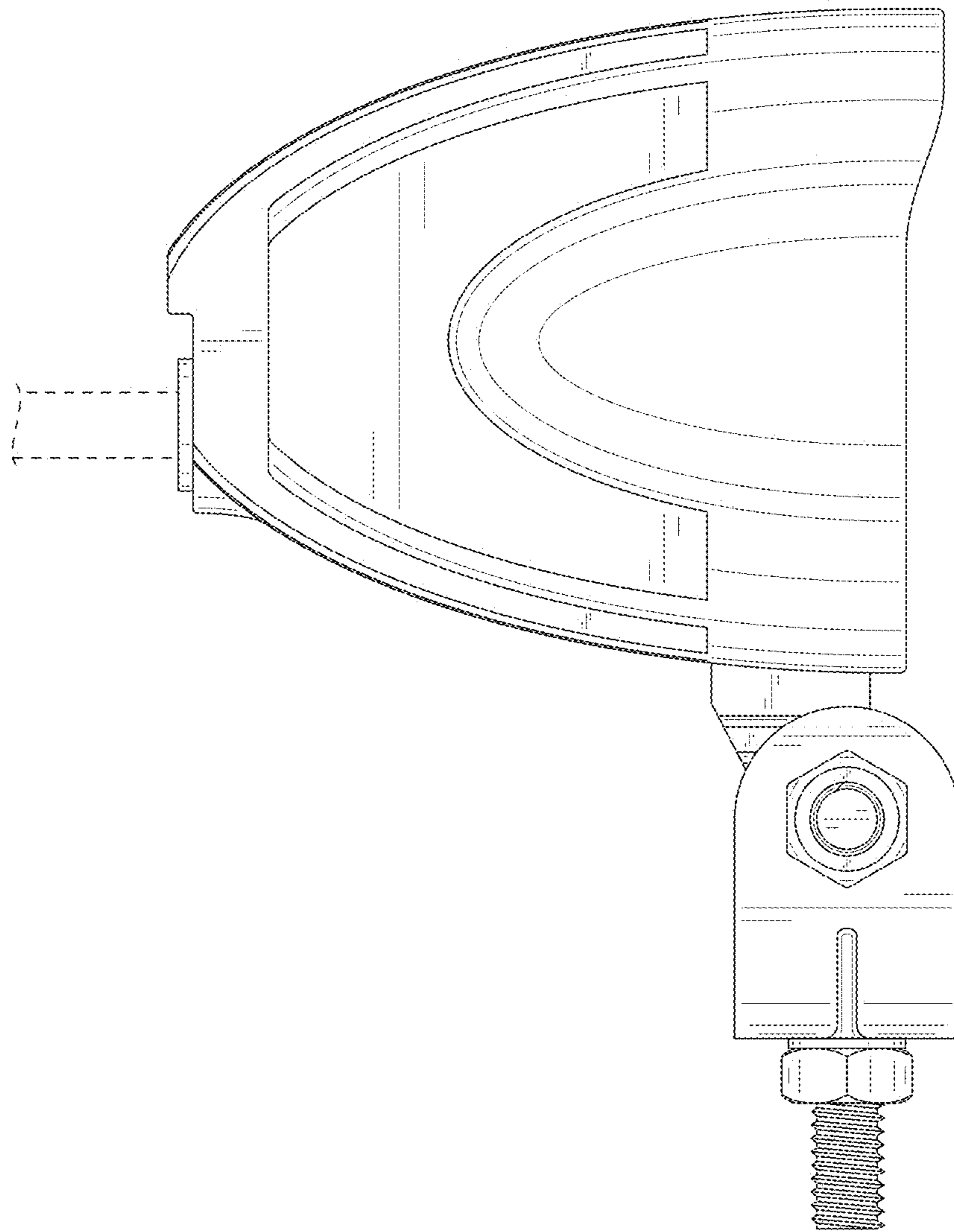


FIG. 4

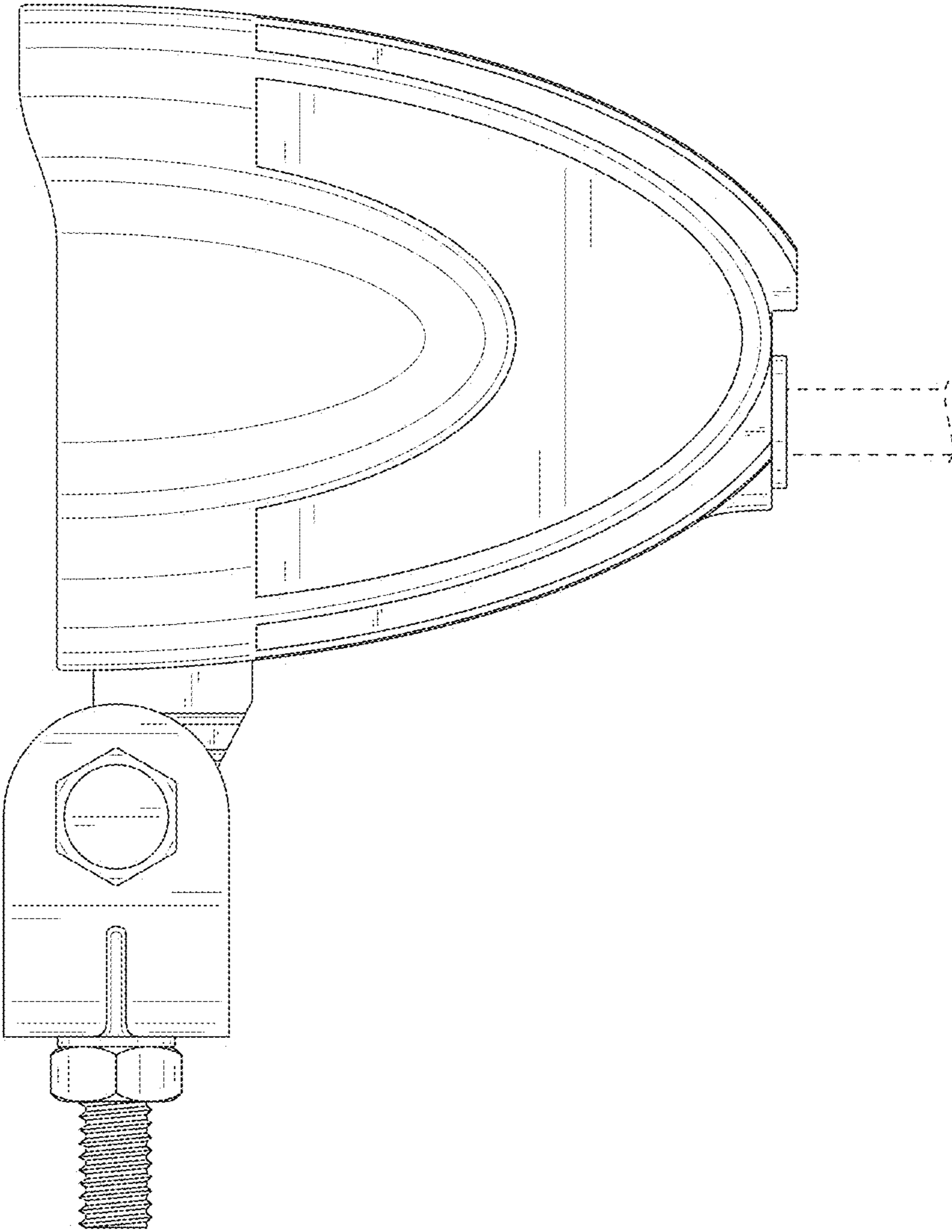


FIG. 5

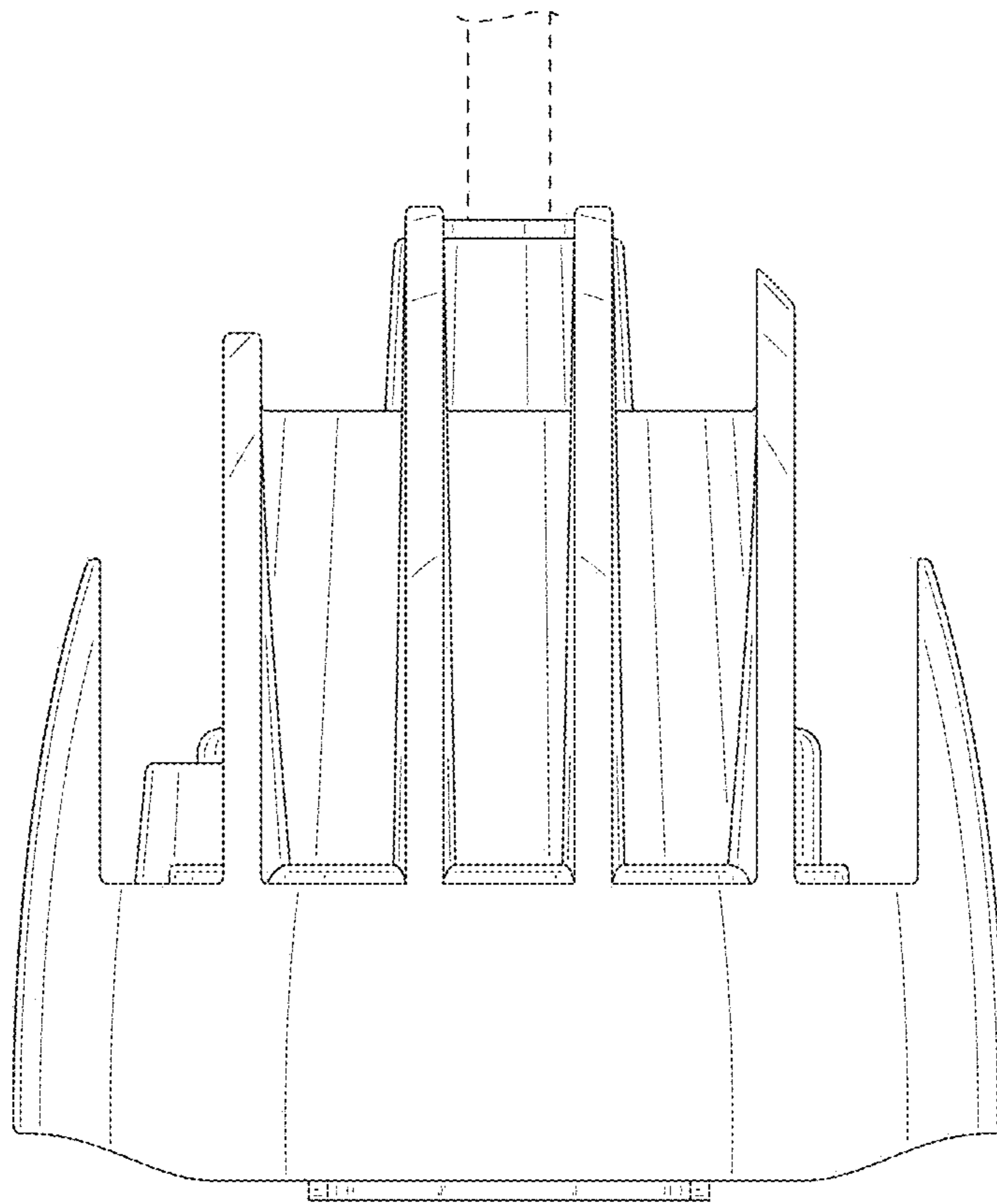


FIG. 6

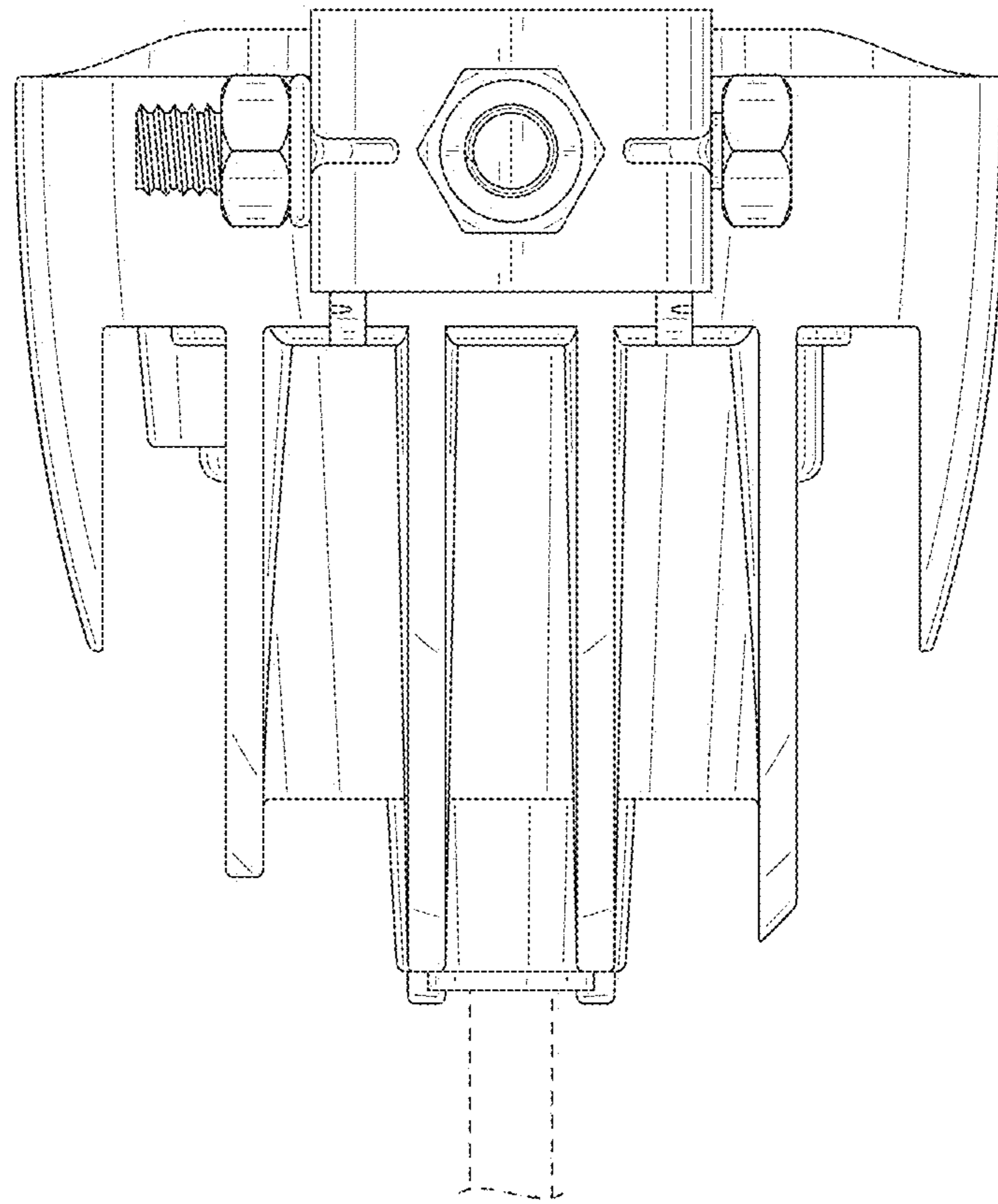


FIG. 7