



US00D688398S

(12) **United States Design Patent**
Foo

(10) **Patent No.:** **US D688,398 S**

(45) **Date of Patent:** **** Aug. 20, 2013**

(54) **LAMP**

(71) Applicant: **Mass Technology (H.K.) Limited,**
Kowloon (HK)

(72) Inventor: **Onn Fah Foo,** Kowloon (HK)

(73) Assignee: **Mass Technology (H.K.) Limited,** Hong
Kong (HK)

(**) Term: **14 Years**

(21) Appl. No.: **29/434,256**

(22) Filed: **Oct. 11, 2012**

(30) **Foreign Application Priority Data**

Apr. 14, 2012 (HK) 1200696.9M004

(51) **LOC (9) Cl.** **26-04**

(52) **U.S. Cl.**
USPC **D26/2**

(58) **Field of Classification Search**
USPC D26/1-4; 313/313, 315, 316, 317,
313/318, 493; 315/52, 53, 56, 57, 58
See application file for complete search history.

(56) **References Cited**

U.S. PATENT DOCUMENTS

D545,456 S *	6/2007	Foo	D26/2
D549,854 S *	8/2007	Takahashi	D26/2
D566,300 S *	4/2008	Lo	D26/2
D582,578 S *	12/2008	Tsai et al.	D26/2
D593,222 S *	5/2009	To et al.	D26/2
D601,721 S *	10/2009	Foo	D26/2
D603,982 S *	11/2009	Foo	D26/2

* cited by examiner

Primary Examiner — Marcus Jackson

(74) *Attorney, Agent, or Firm* — Wendy K. Marsh

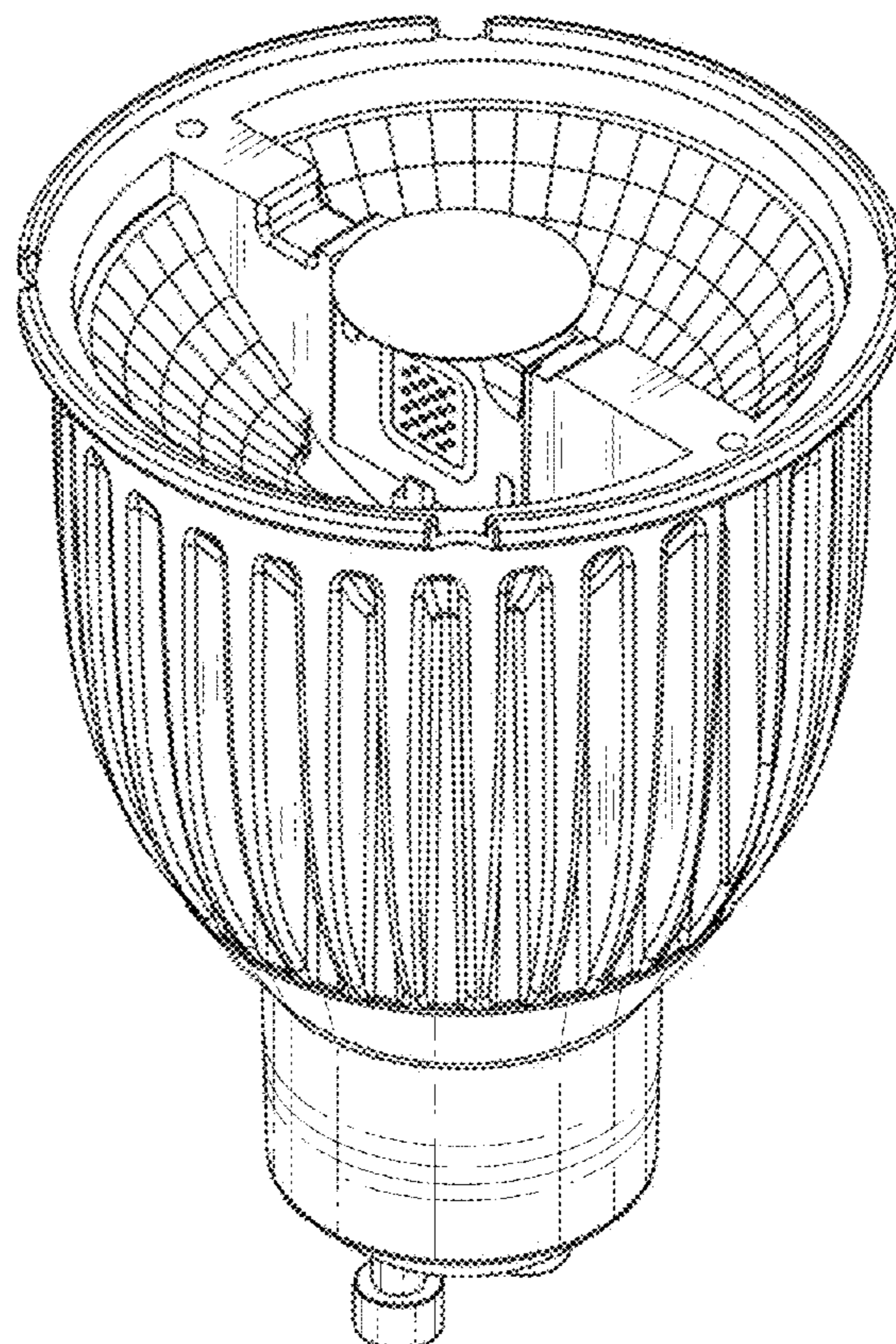
(57) **CLAIM**

The ornamental design for a lamp, as shown and described.

DESCRIPTION

FIG. 1 is a front view of the lamp, showing the new design;
FIG. 2 is a rear view of the lamp;
FIG. 3 is a left side view of the lamp;
FIG. 4 is a right side view of the lamp;
FIG. 5 is a top plan view of the lamp;
FIG. 6 is a bottom plan view of the lamp; and,
FIG. 7 is perspective view of the lamp.

1 Claim, 2 Drawing Sheets



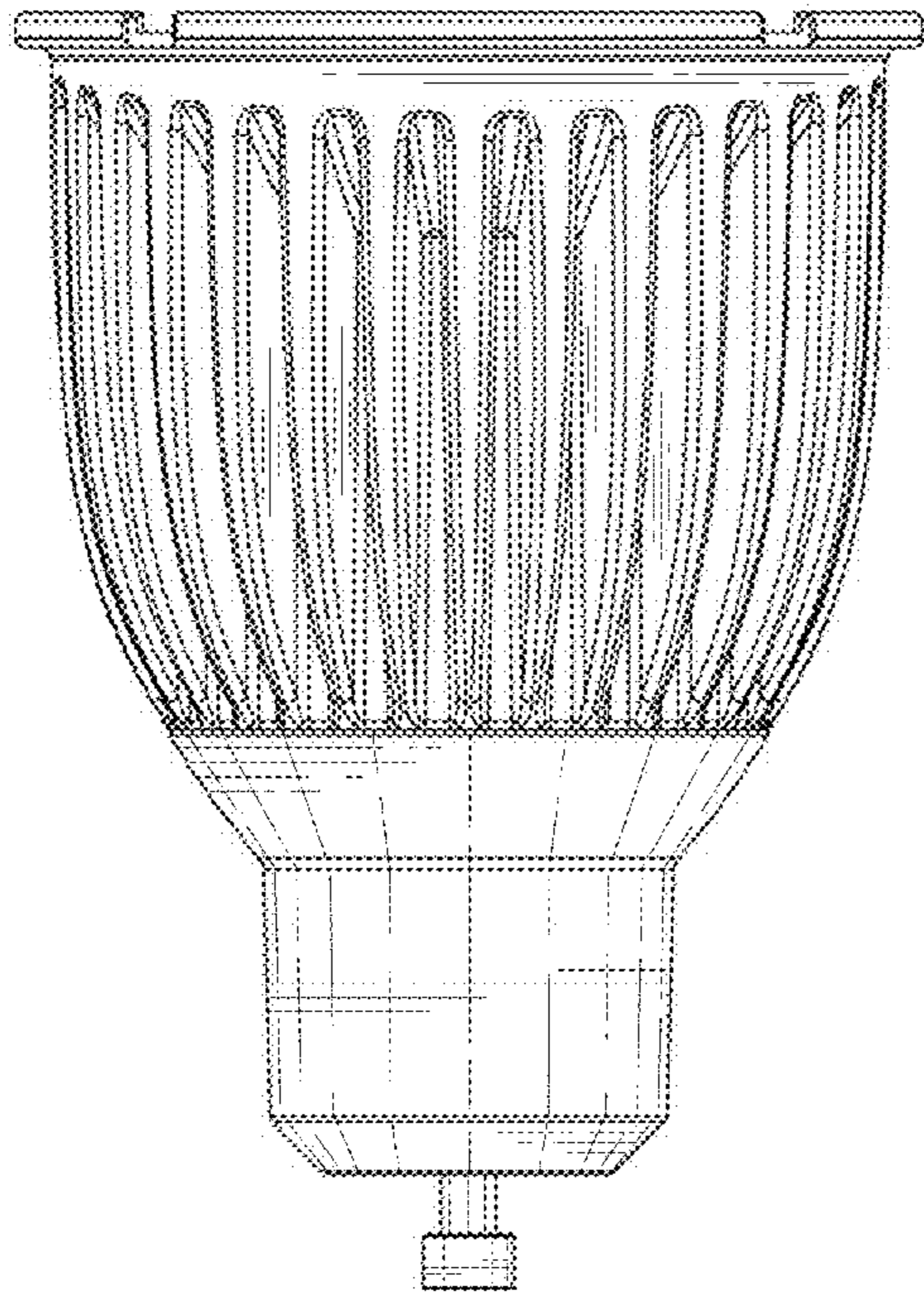


Fig. 1

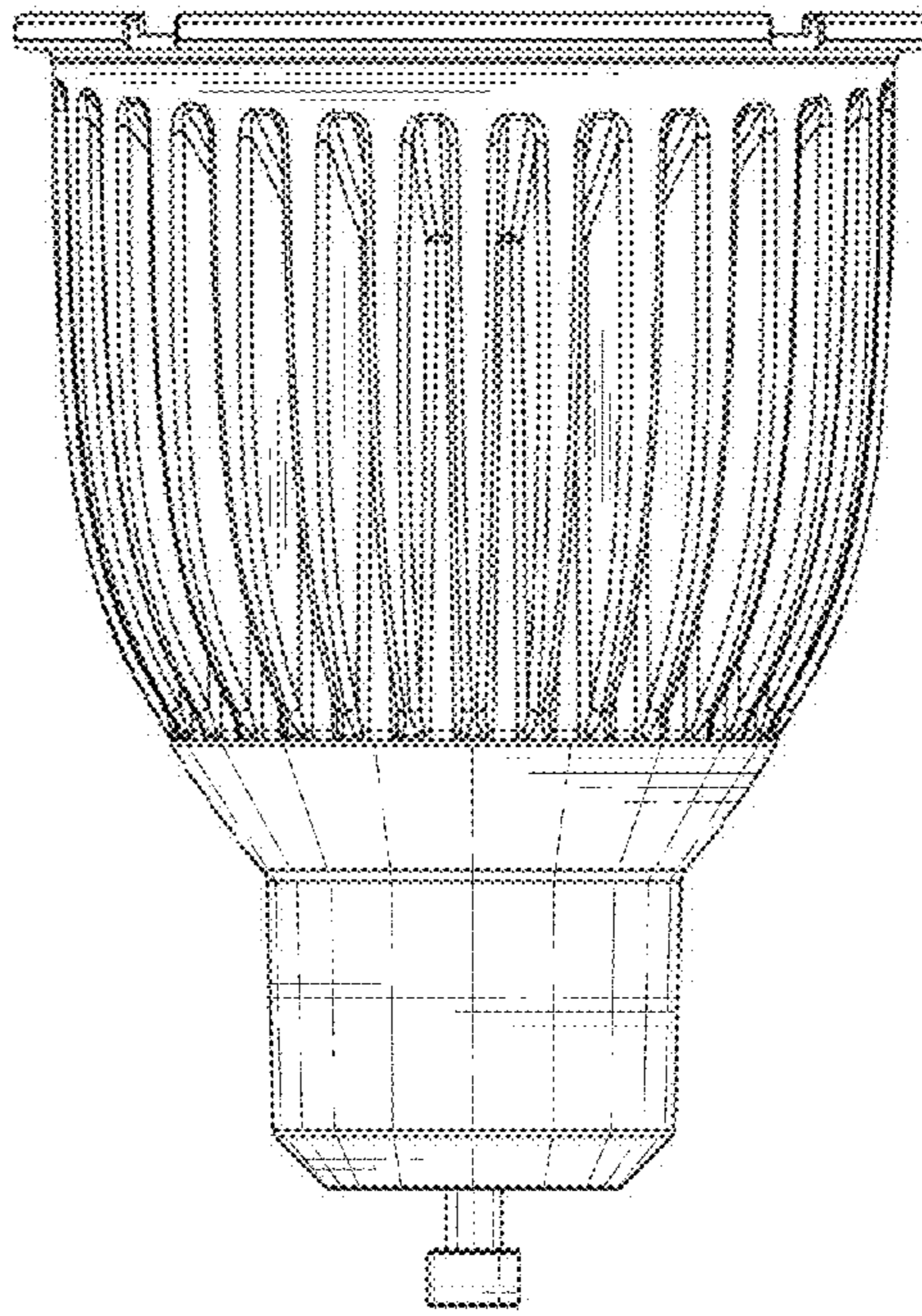


Fig. 2

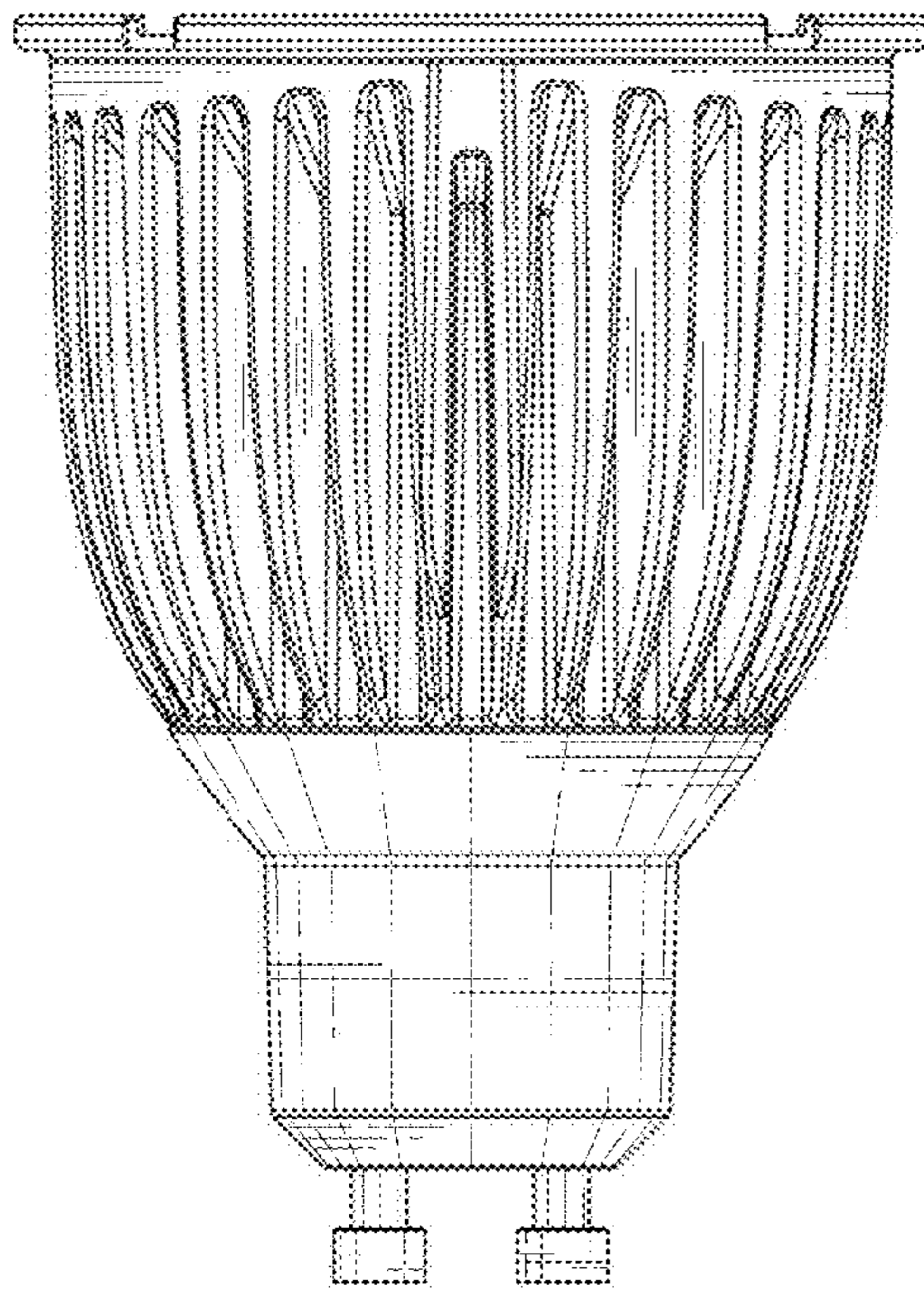


Fig. 3

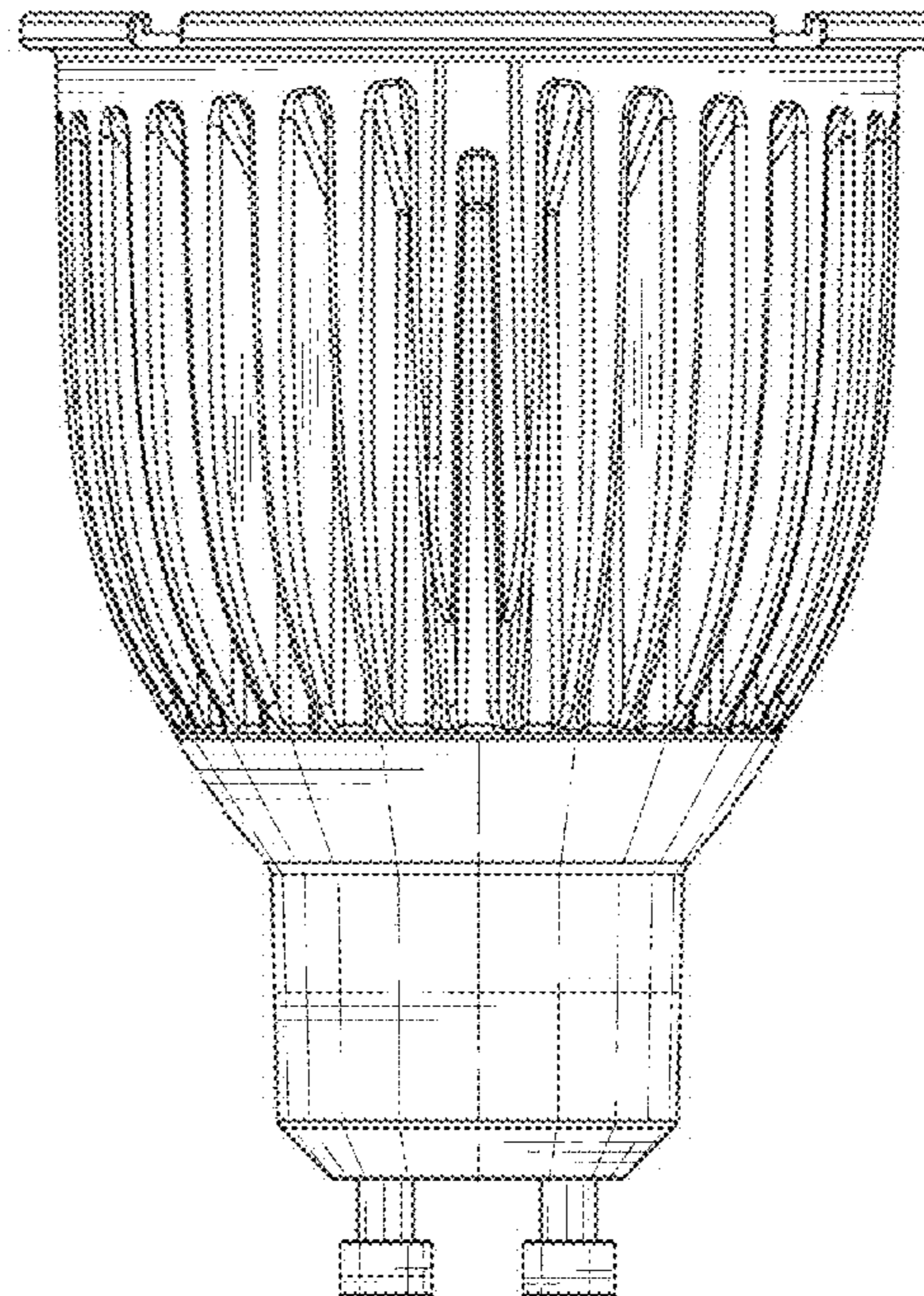


Fig. 4

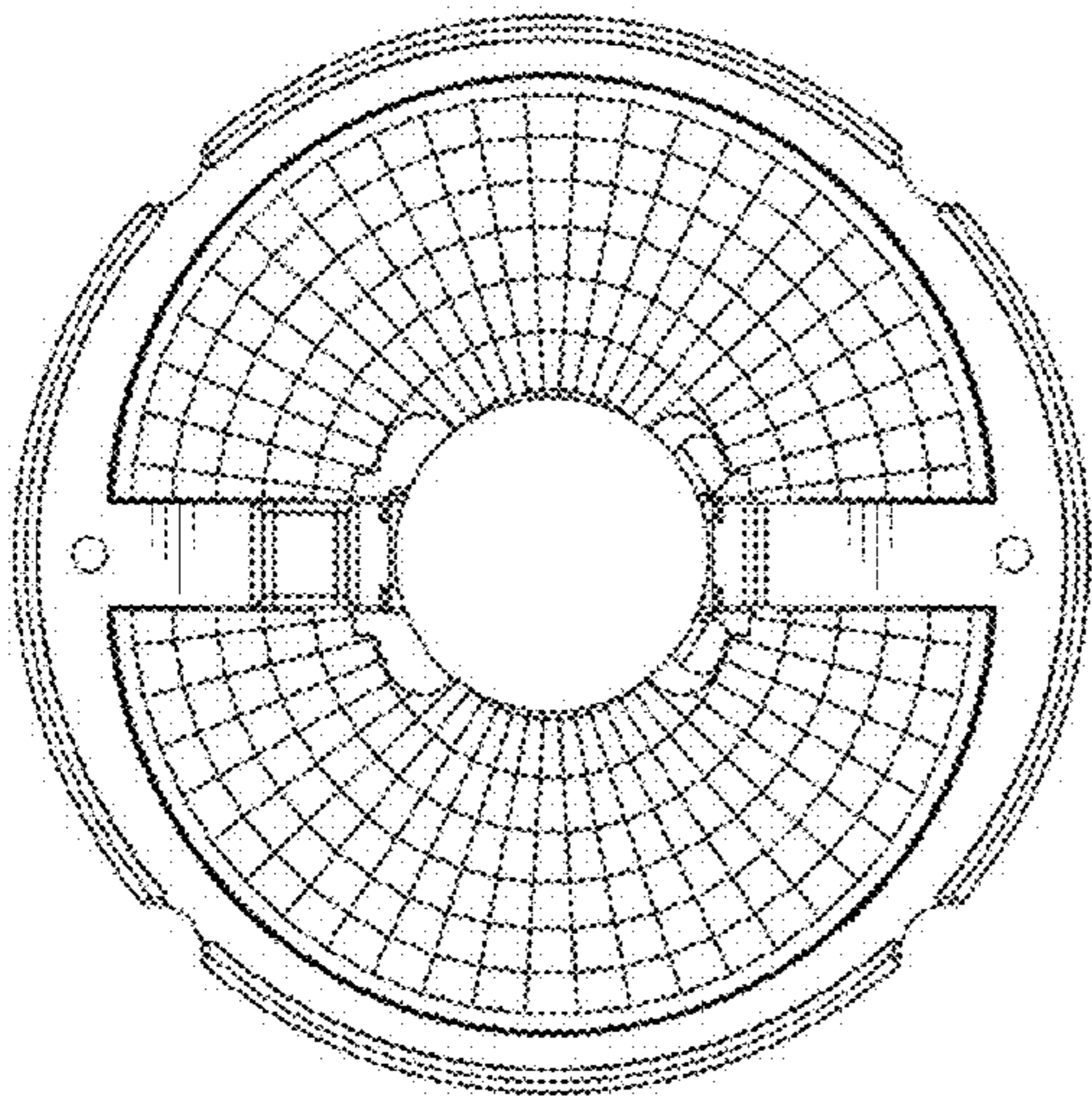


Fig. 5

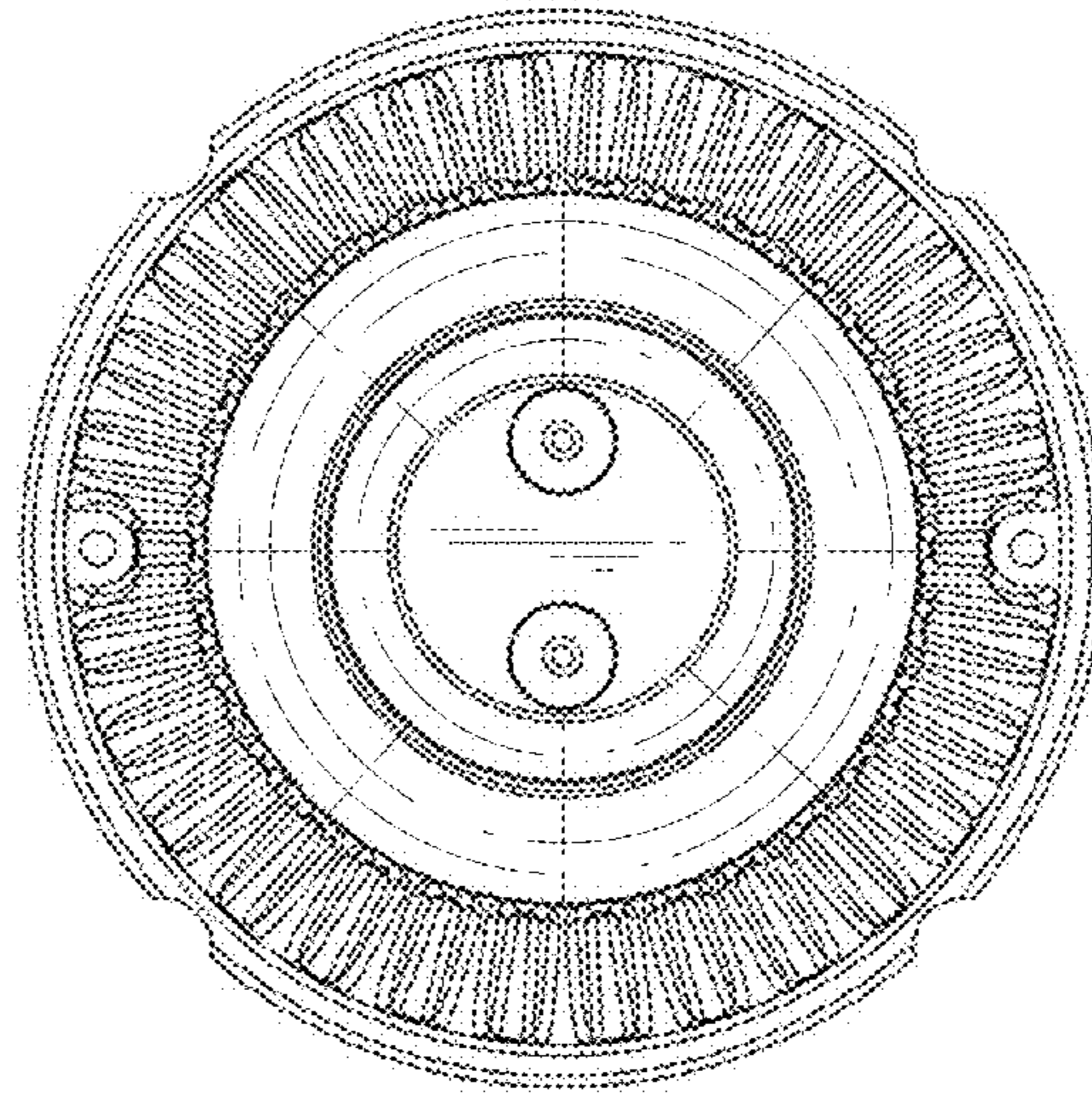


Fig. 6

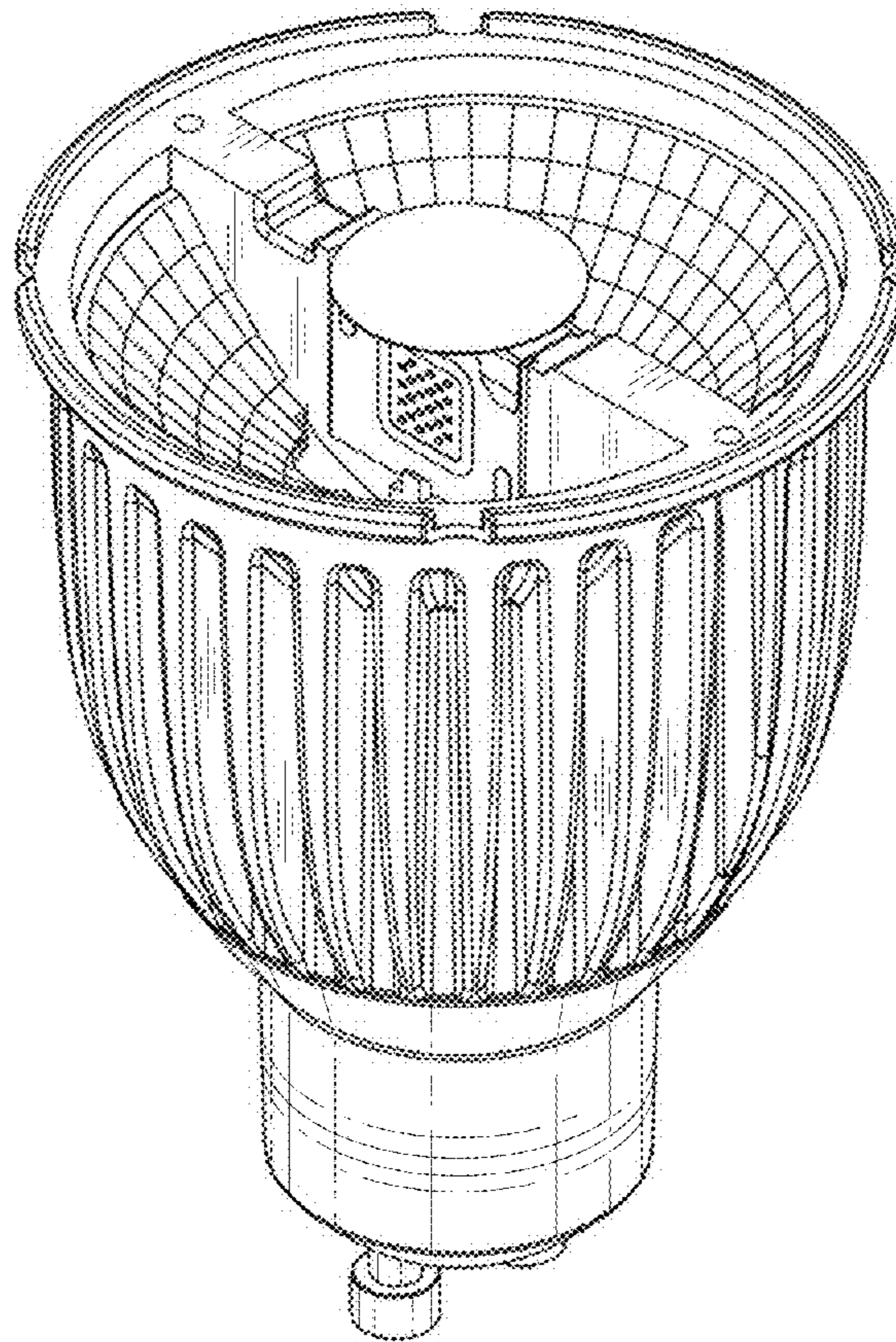


Fig. 7