



US00D688397S

(12) **United States Design Patent**
Tsai

(10) **Patent No.:** **US D688,397 S**

(45) **Date of Patent:** **** Aug. 20, 2013**

(54) **LED LIGHT**

(75) Inventor: **Wen-Kuei Tsai**, Taipei (TW)

(73) Assignee: **Top Energy Saving System Corp.**, New Taipei (TW)

(**) Term: **14 Years**

(21) Appl. No.: **29/432,109**

(22) Filed: **Sep. 13, 2012**

(30) **Foreign Application Priority Data**

Mar. 13, 2012 (TW) 101301376

(51) **LOC (9) Cl.** **26-04**

(52) **U.S. Cl.**
USPC **D26/2**

(58) **Field of Classification Search**
USPC D26/1-4; 313/313, 315, 316, 317,
313/318, 493; 315/52, 53, 56, 57, 58
See application file for complete search history.

(56) **References Cited**

U.S. PATENT DOCUMENTS

D499,820 S * 12/2004 Foo D26/2
D508,575 S * 8/2005 Buschmann et al. D26/2

D528,673 S * 9/2006 Maxik et al. D26/2
D534,665 S * 1/2007 Egawa et al. D26/2
D549,854 S * 8/2007 Takahashi D26/2
D586,928 S * 2/2009 Liu et al. D26/2
D620,152 S * 7/2010 Lai et al. D26/2
D627,495 S * 11/2010 Lai et al. D26/2
D634,035 S * 3/2011 Kim et al. D26/2

* cited by examiner

Primary Examiner — Marcus Jackson

(74) *Attorney, Agent, or Firm* — Stout, Uxa, Buyan & Mullins, LLP

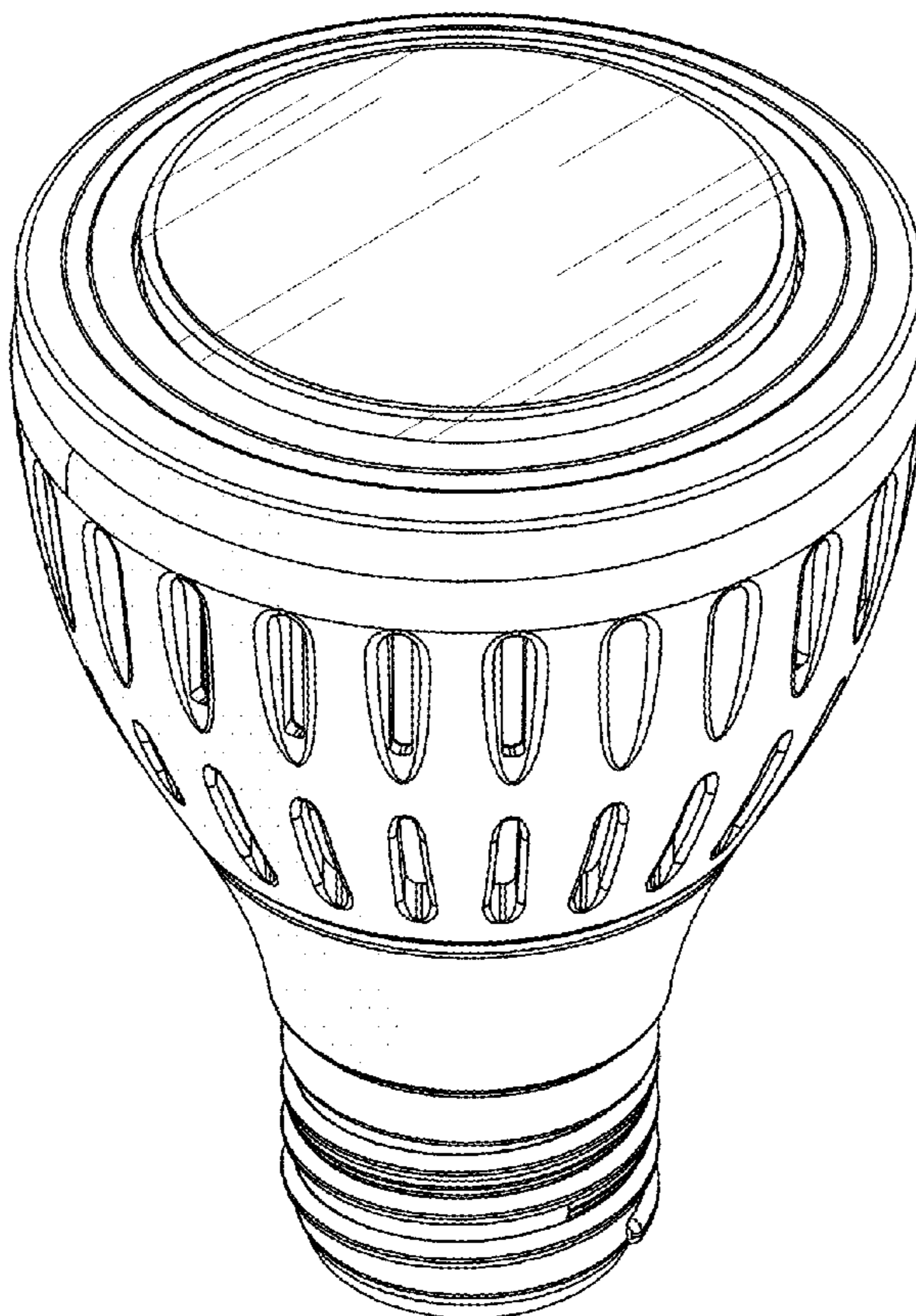
(57) **CLAIM**

The ornamental design for a LED light, as shown and described.

DESCRIPTION

FIG. 1 is a perspective view of a design for a LED light showing our new design;
FIG. 2 is a front elevational view thereof;
FIG. 3 is a rear elevational view thereof;
FIG. 4 is a left side elevational view thereof;
FIG. 5 is a right side elevational view thereof;
FIG. 6 is a top plan view thereof; and,
FIG. 7 is a bottom plan view thereof.

1 Claim, 7 Drawing Sheets



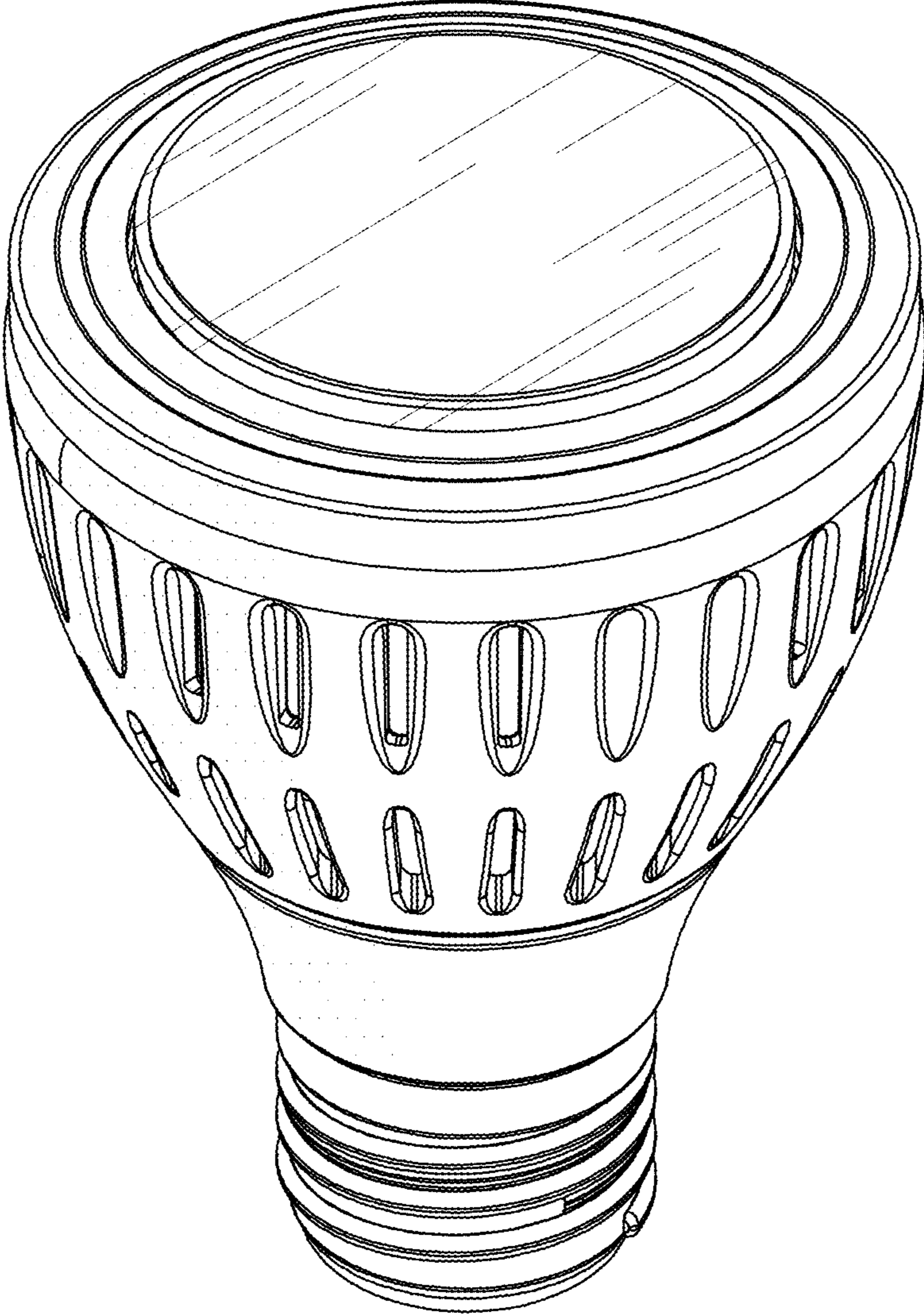


FIG.1

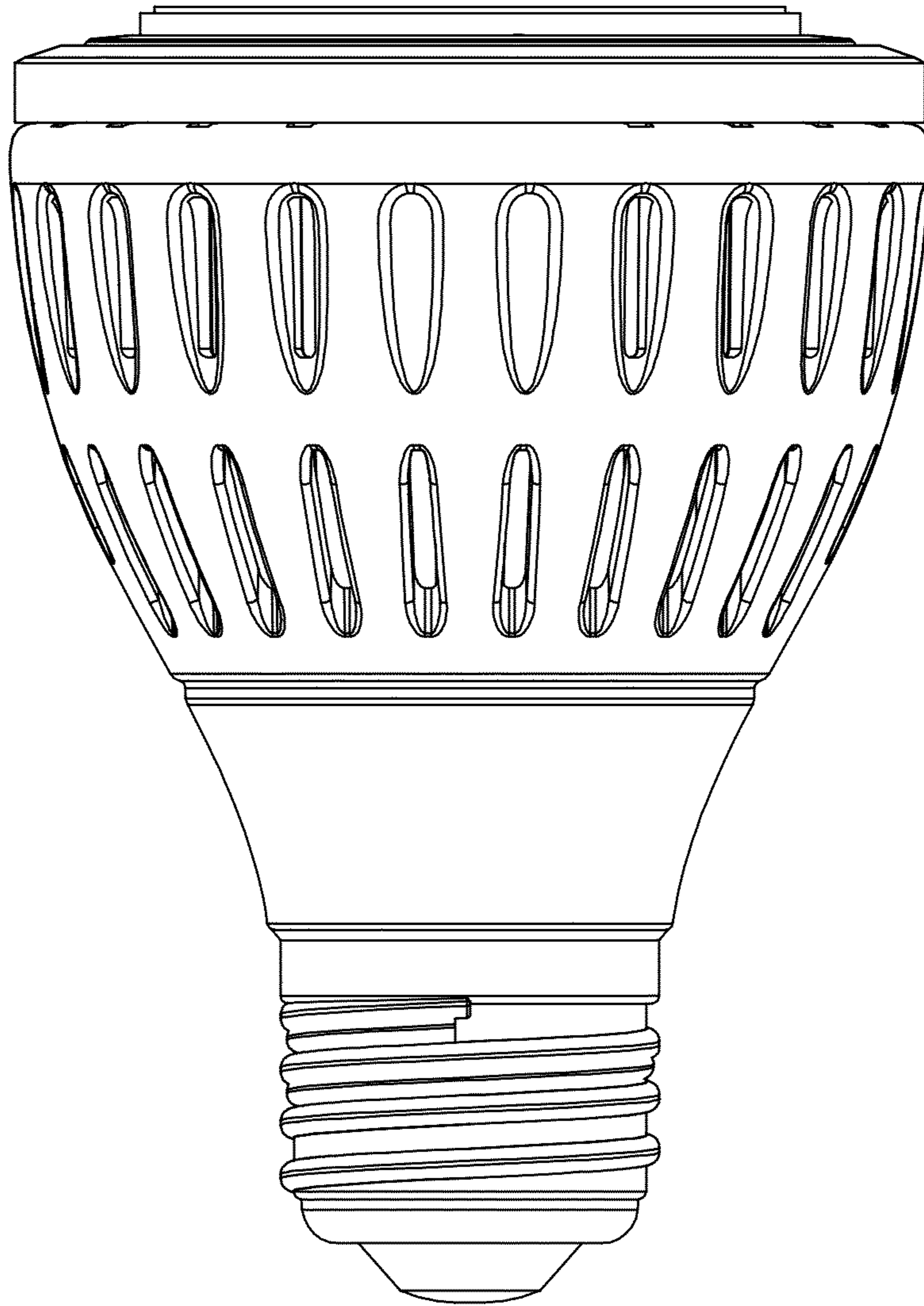


FIG.2

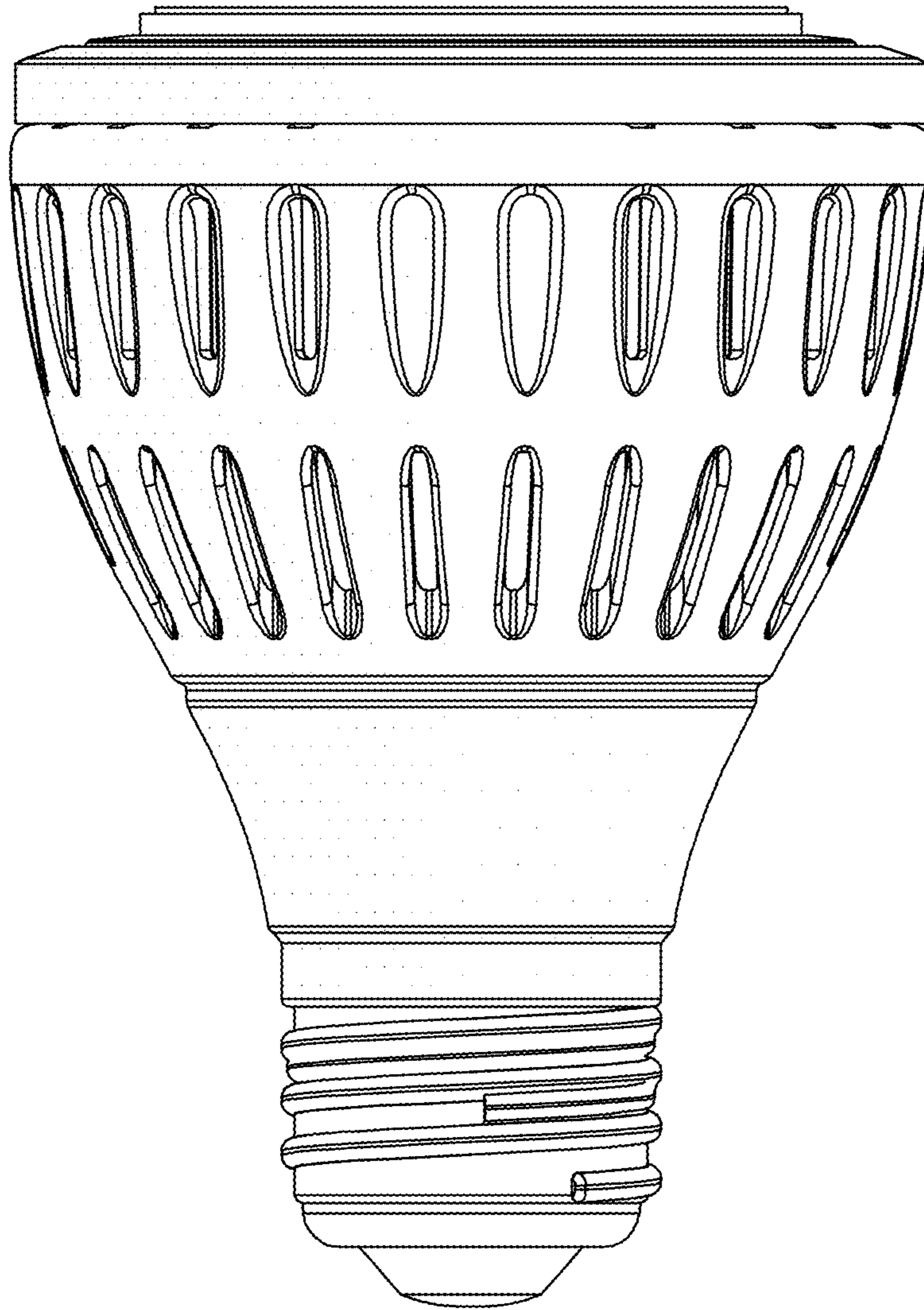


FIG.3

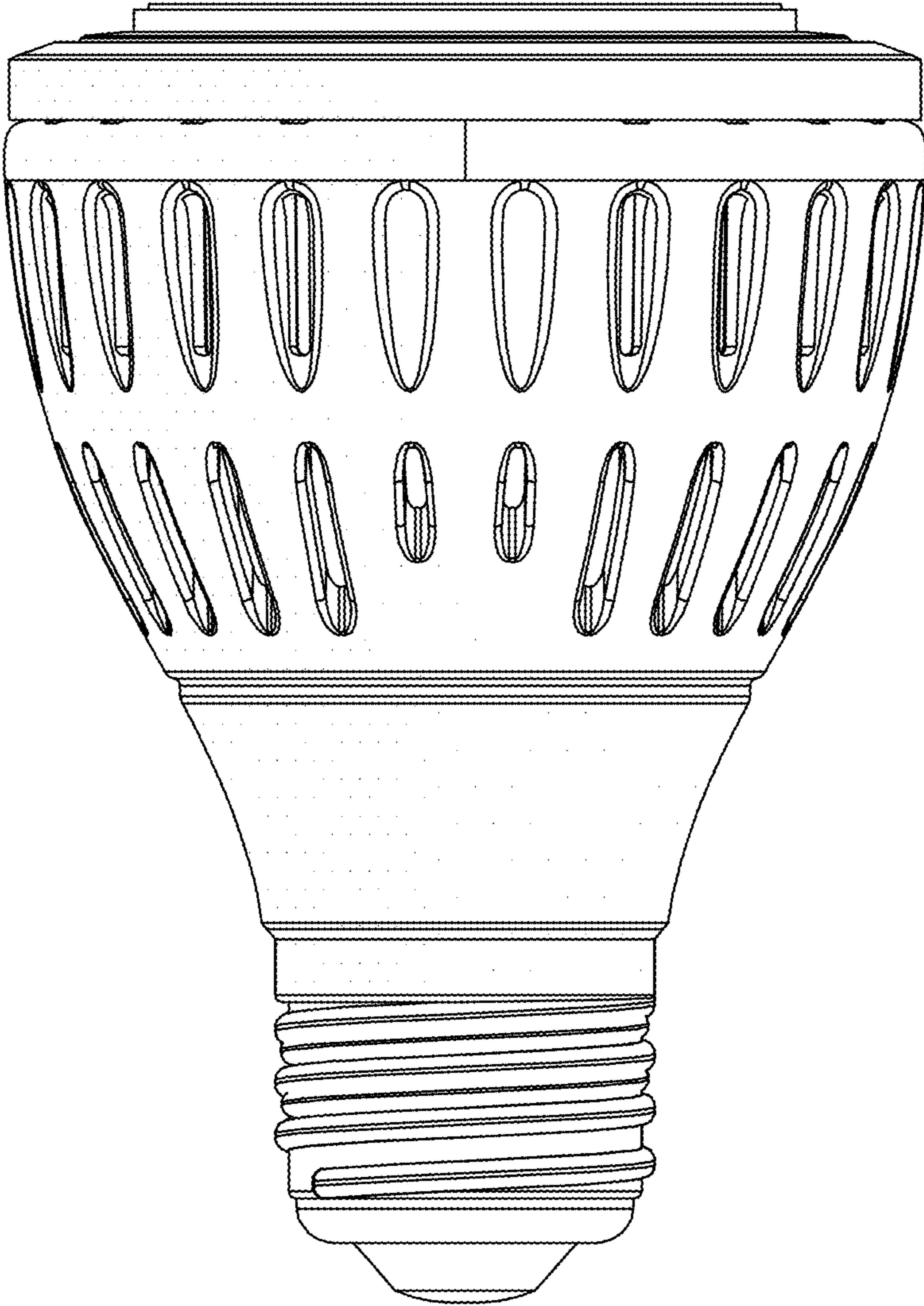


FIG.4

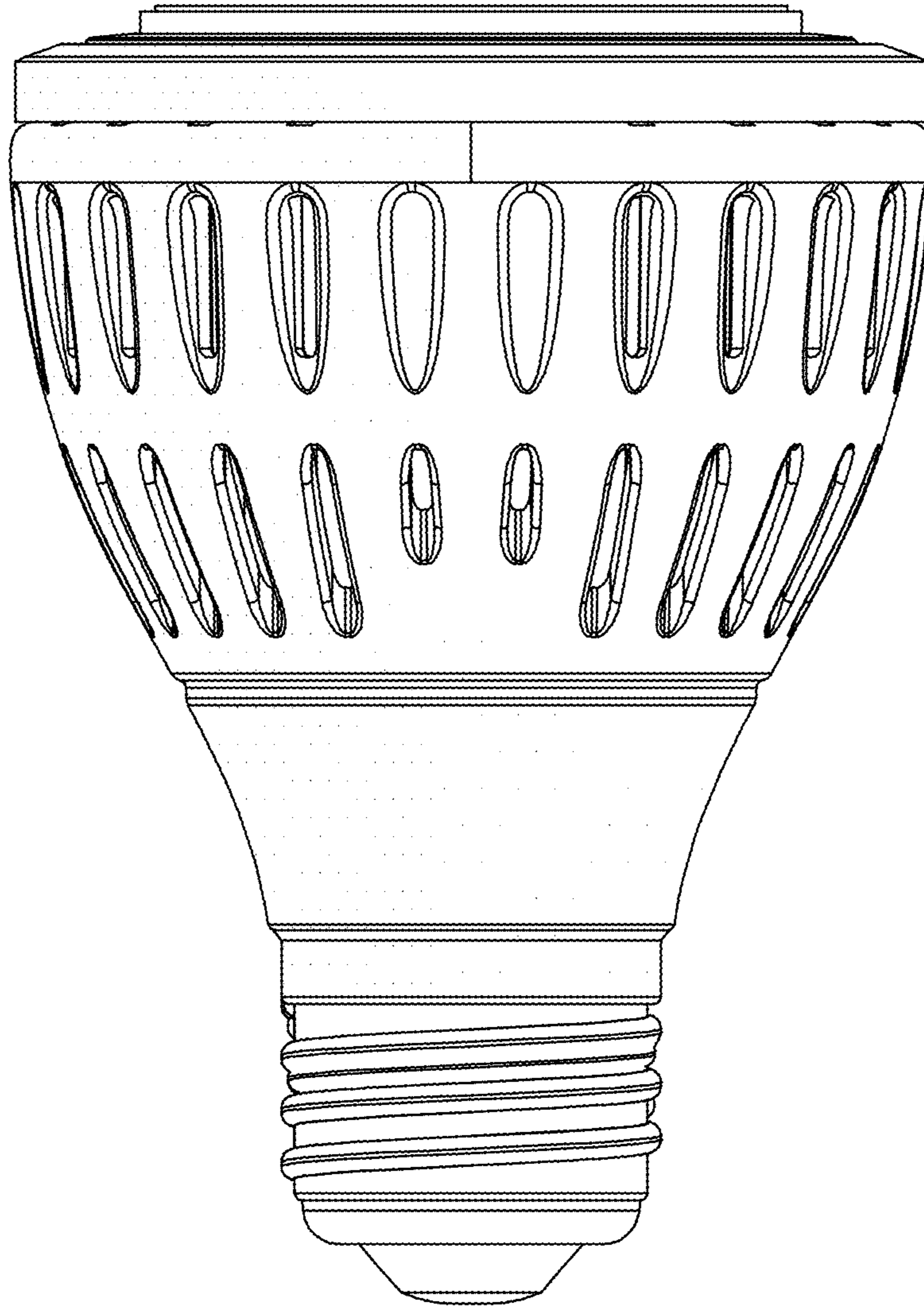


FIG.5

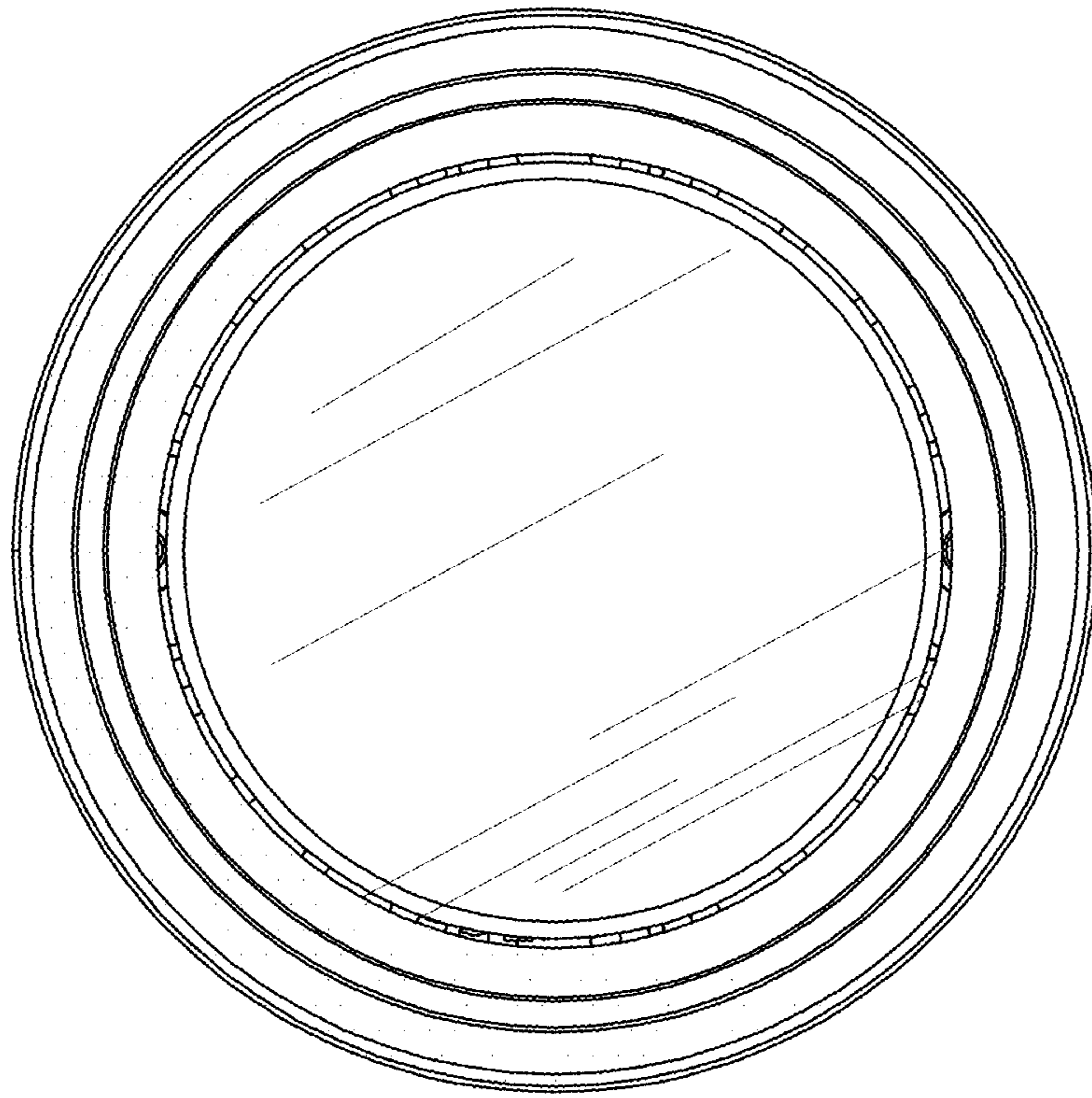


FIG.6

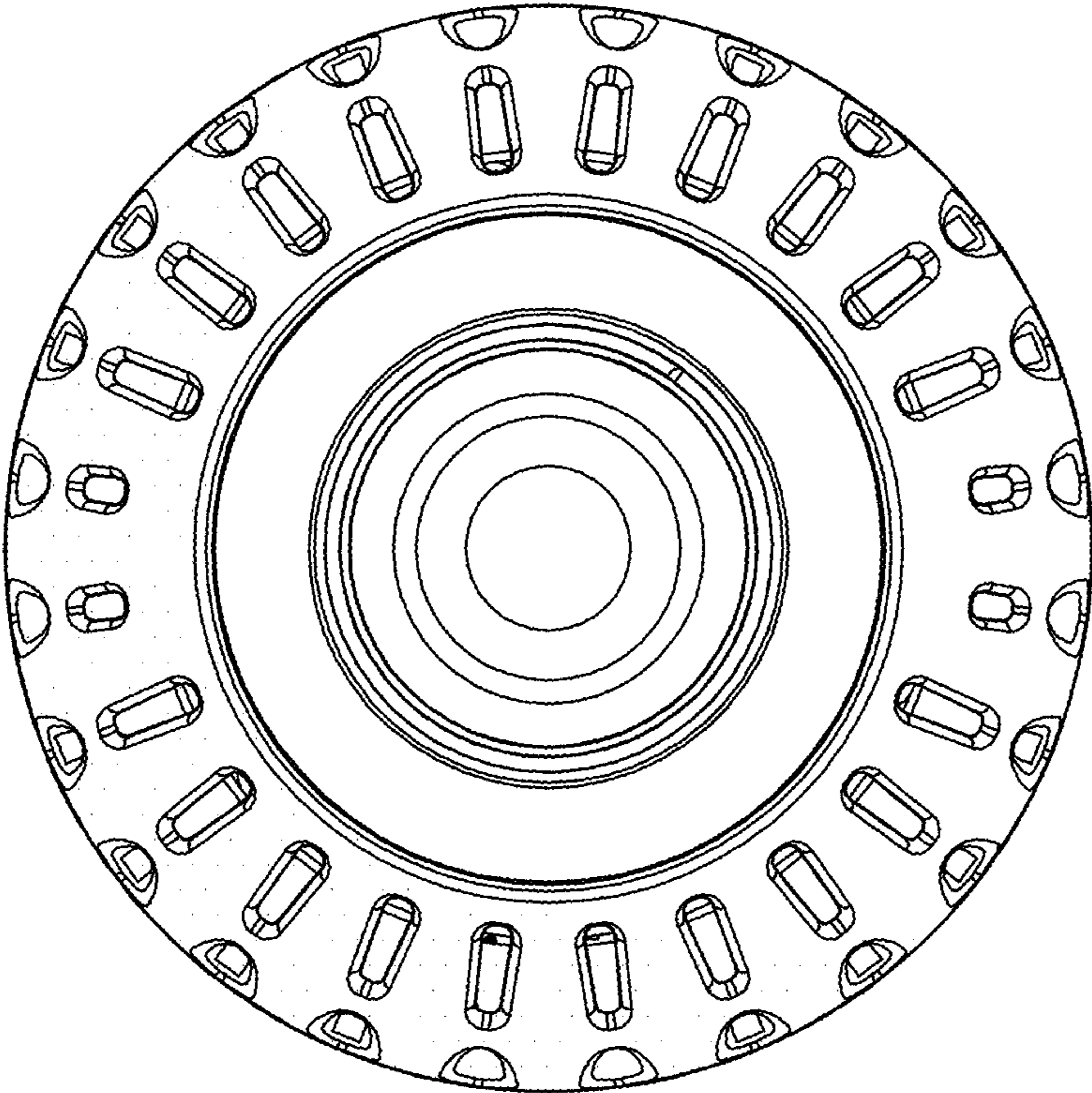


FIG.7