



US00D688395S

(12) **United States Design Patent**
Bukkems et al.

(10) **Patent No.:** **US D688,395 S**

(45) **Date of Patent:** **** Aug. 20, 2013**

(54) **LED BULB**

(75) **Inventors:** **Peter Johannes Martinus Bukkems**,
Deurne (NL); **Johan Petrus Maria**
Ansems, Hulsel (NL); **Joris Hubertus**
Antonius Hagelaar, Nuenen (NL);
Simon Eme Kadijk, Veldhoven (NL)

(73) **Assignee:** **Koninklijke Philips N.V.**, Eindhoven
(NL)

(**) **Term:** **14 Years**

(21) **Appl. No.:** **29/431,428**

(22) **Filed:** **Sep. 7, 2012**

(30) **Foreign Application Priority Data**

Mar. 7, 2012 (EM) 002004358-0002

(51) **LOC (9) Cl.** **26-04**

(52) **U.S. Cl.**
USPC **D26/2**

(58) **Field of Classification Search**
USPC D26/1-4; 313/313, 315, 316, 317,
313/318, 493; 315/52, 53, 56, 57, 58
See application file for complete search history.

(56) **References Cited**

U.S. PATENT DOCUMENTS

D433,167	S	*	10/2000	Yim	D26/2
D463,584	S	*	9/2002	Yim	D26/2
D535,038	S	*	1/2007	Egawa et al.	D26/2
D601,278	S	*	9/2009	Takahashi	D26/2
D616,120	S	*	5/2010	Wada et al.	D26/2
D646,809	S	*	10/2011	Shi	D26/2

* cited by examiner

Primary Examiner — Marcus Jackson

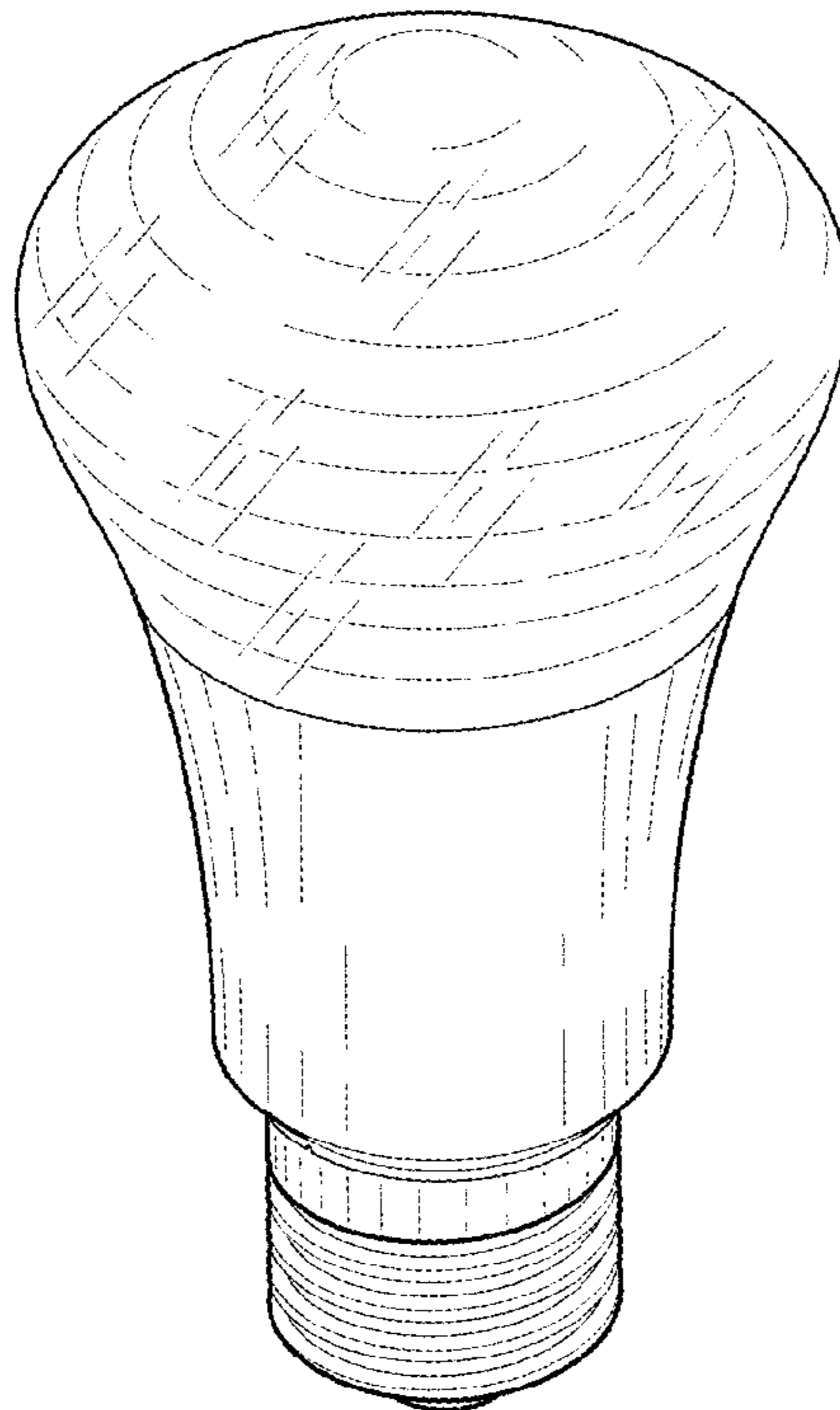
(57) **CLAIM**

The ornamental design for a LED bulb, as shown.

DESCRIPTION

FIG. 1 is a perspective view showing my design;
FIG. 2 is a front elevational view thereof;
FIG. 3 is a rear elevational view thereof;
FIG. 4 is a right side elevational view thereof;
FIG. 5 is a left side elevational view thereof;
FIG. 6 is a top plan view thereof; and,
FIG. 7 is a bottom plan view thereof.

1 Claim, 4 Drawing Sheets



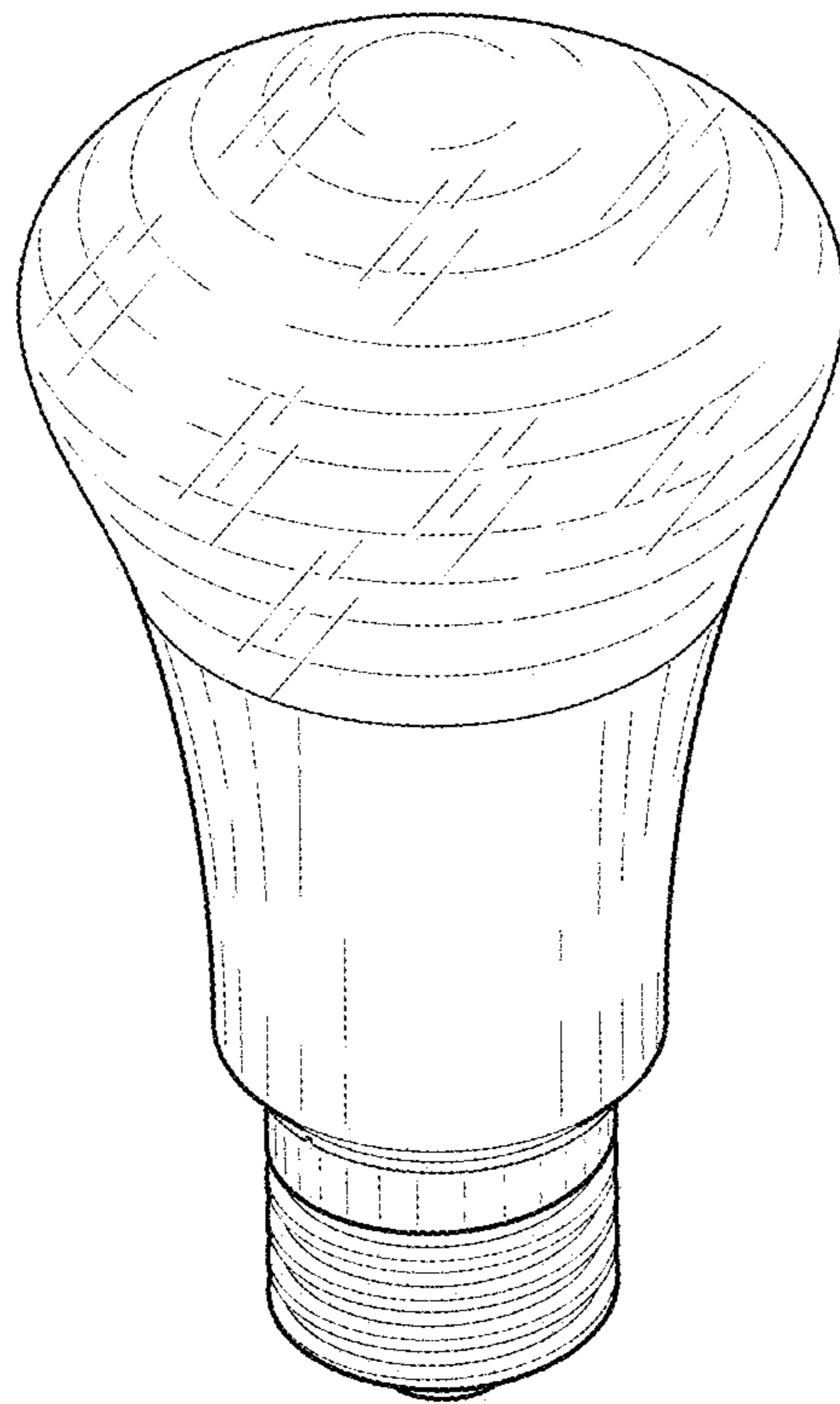


FIG. 1

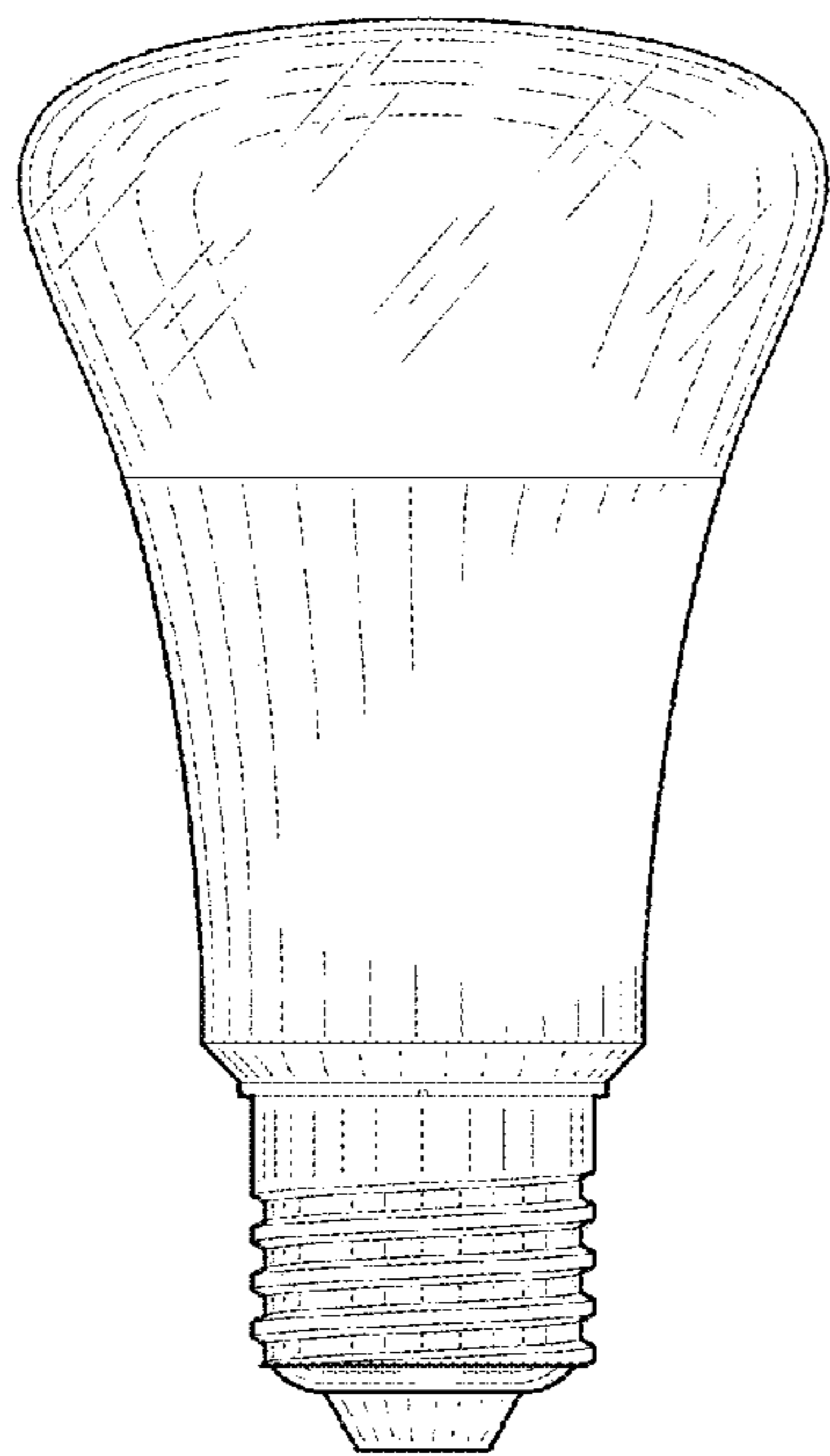


FIG. 2

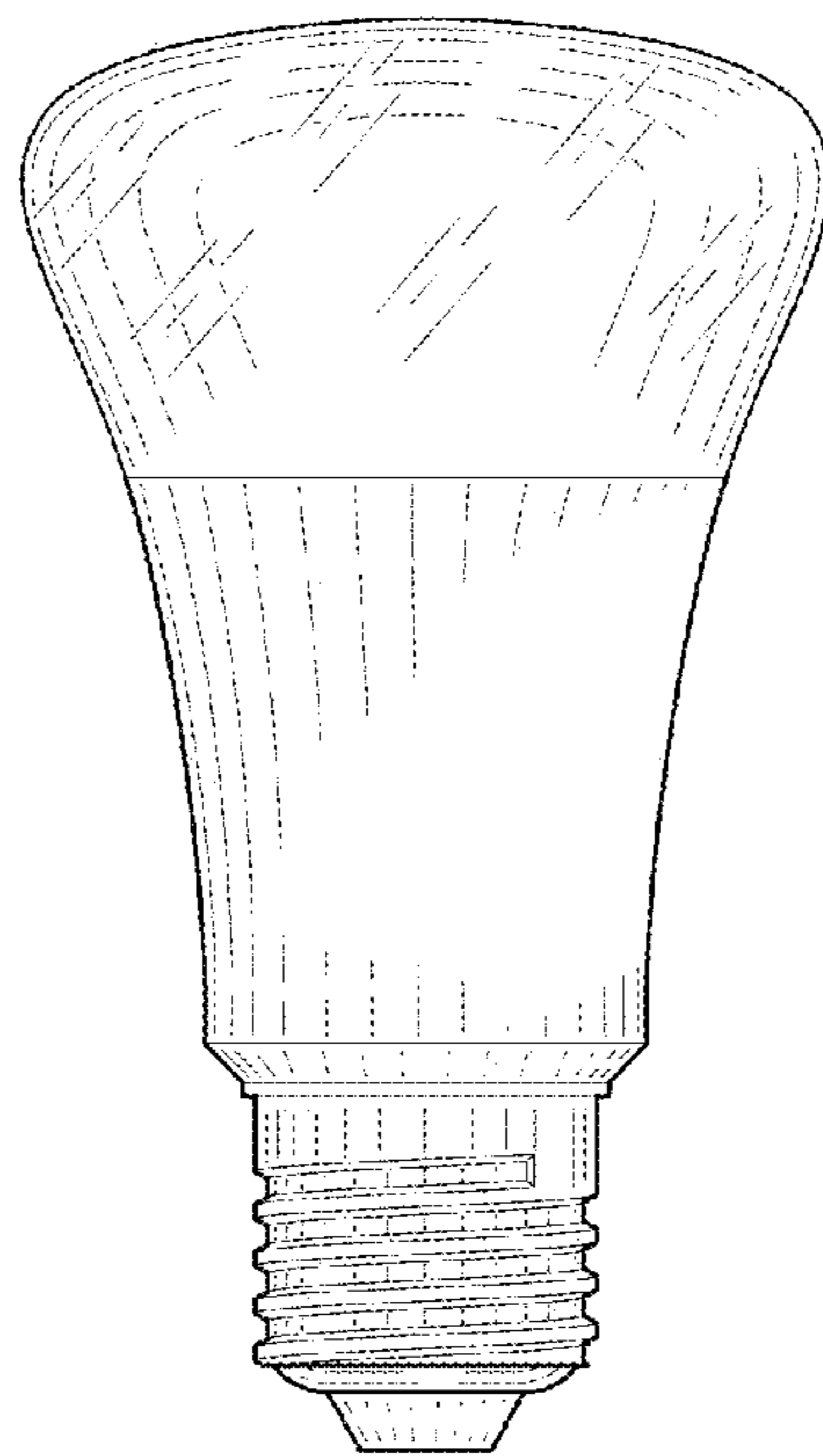


FIG. 3

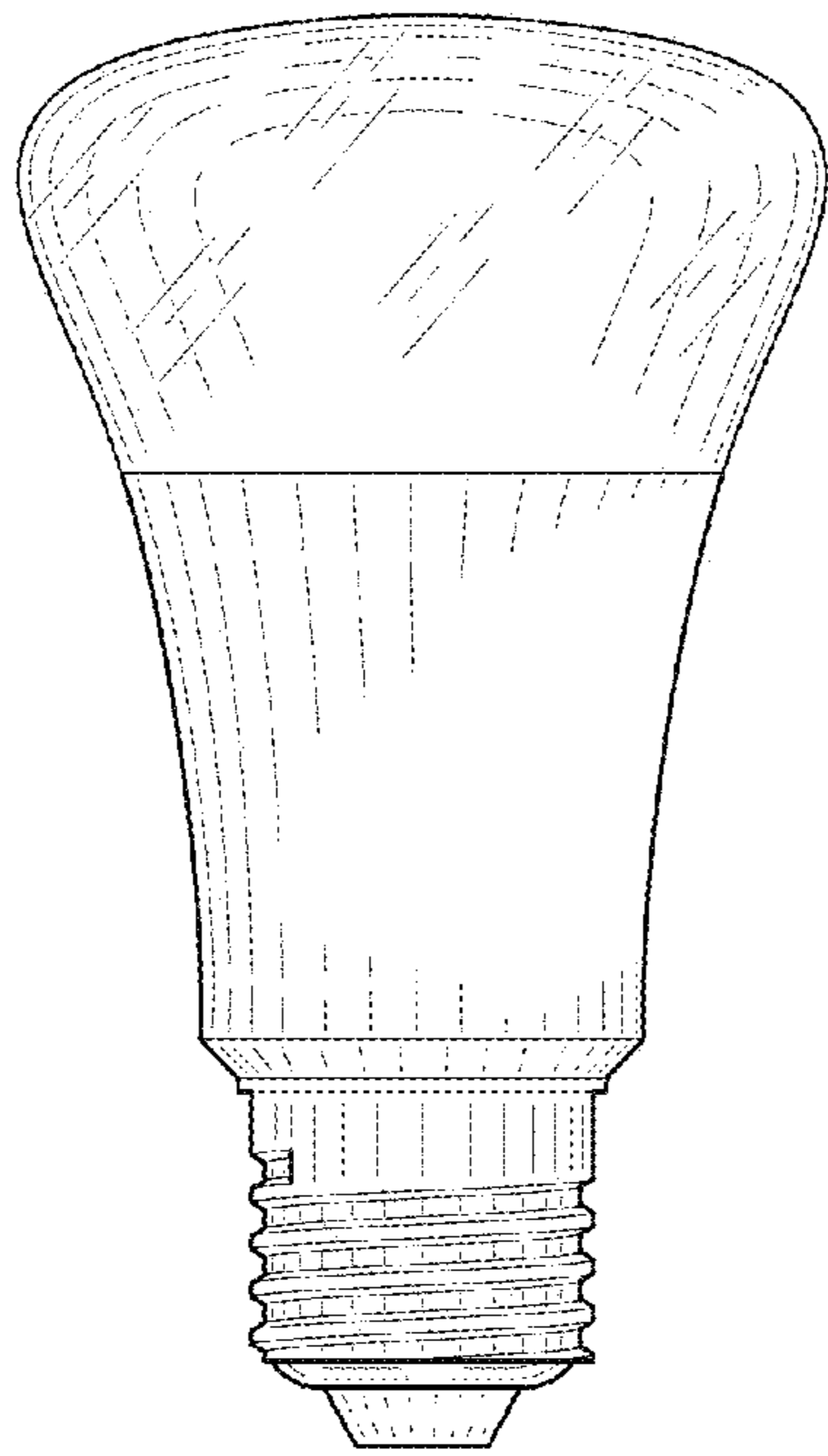


FIG. 4

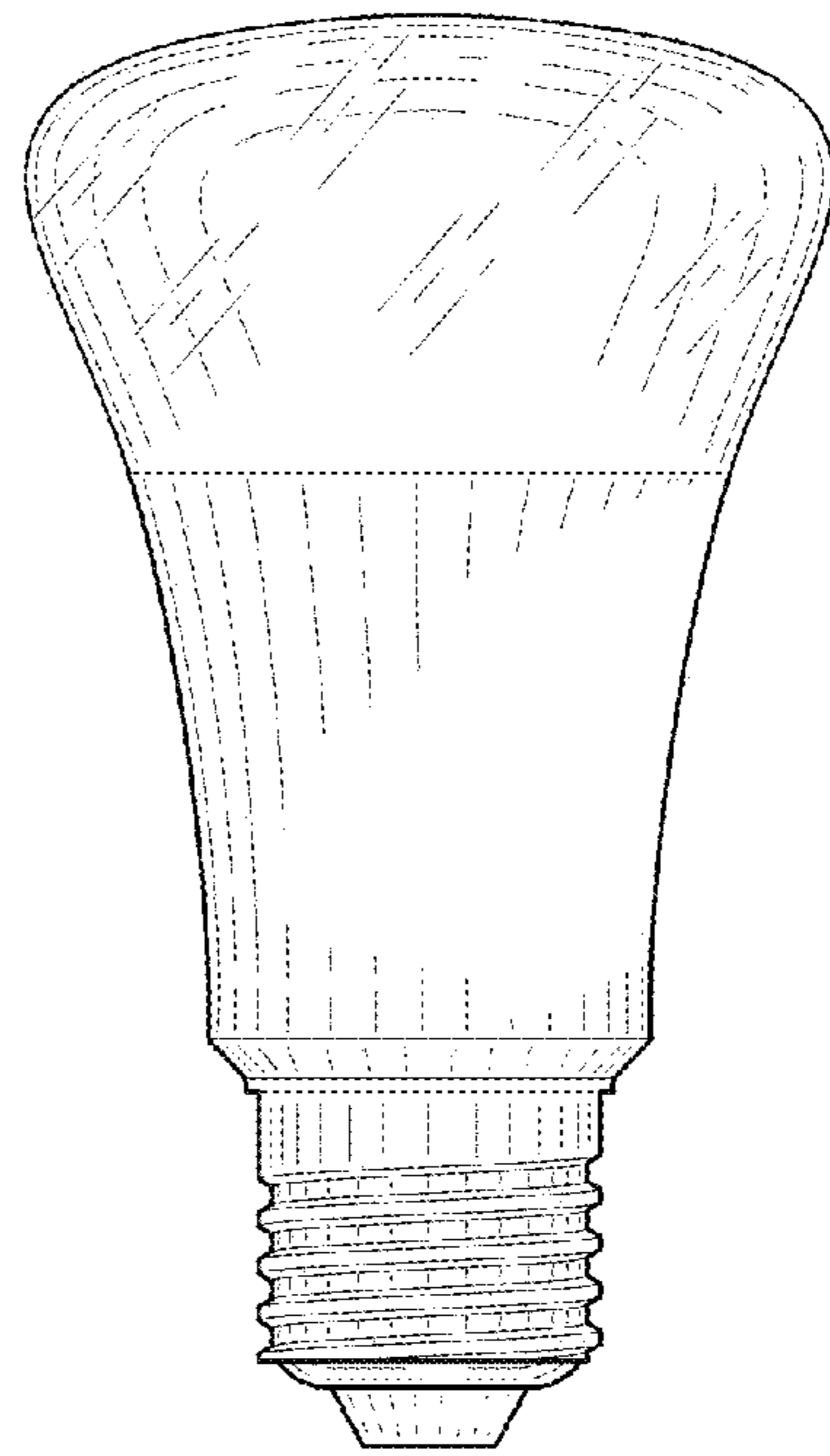


FIG. 5

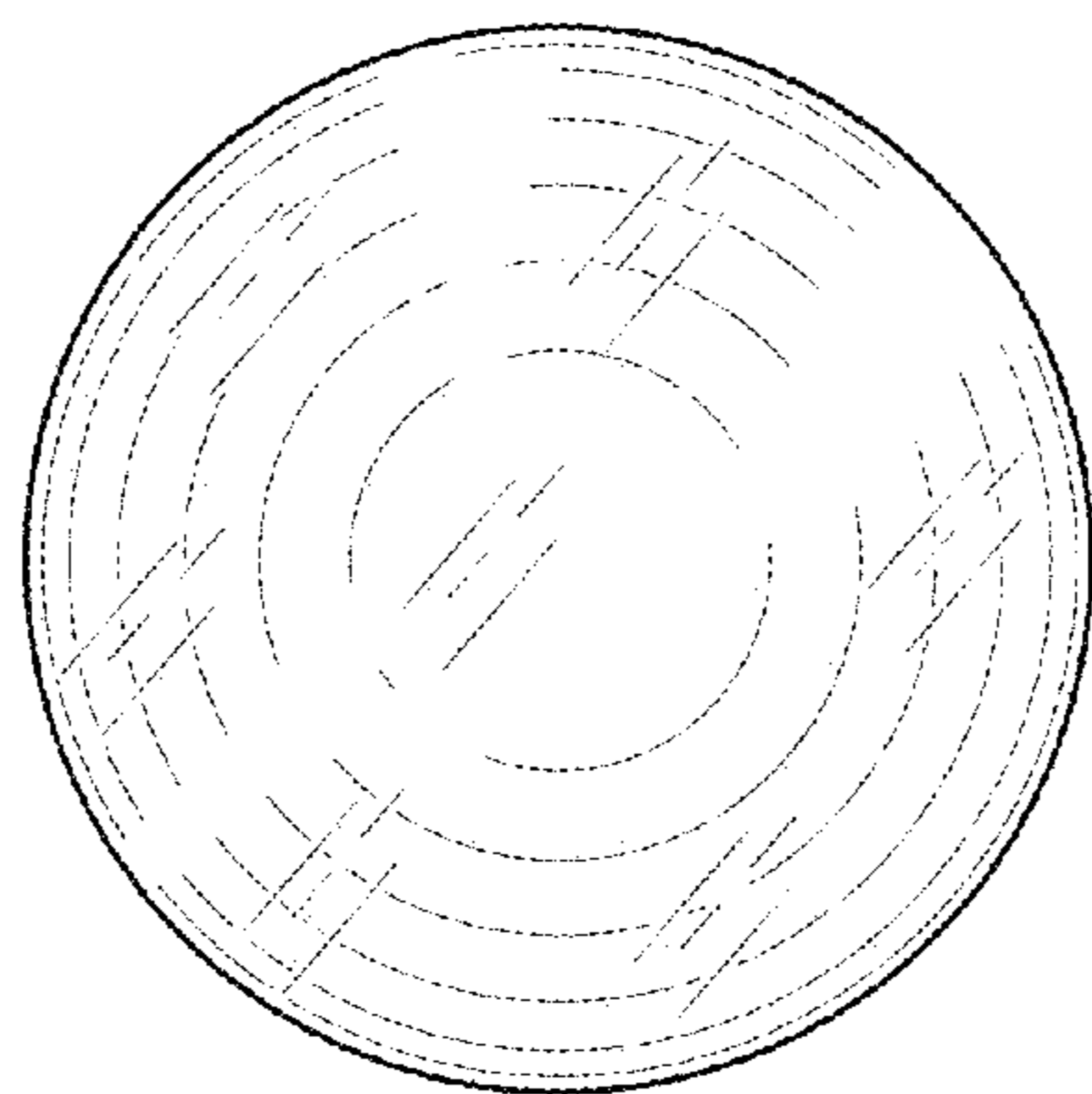


FIG. 6

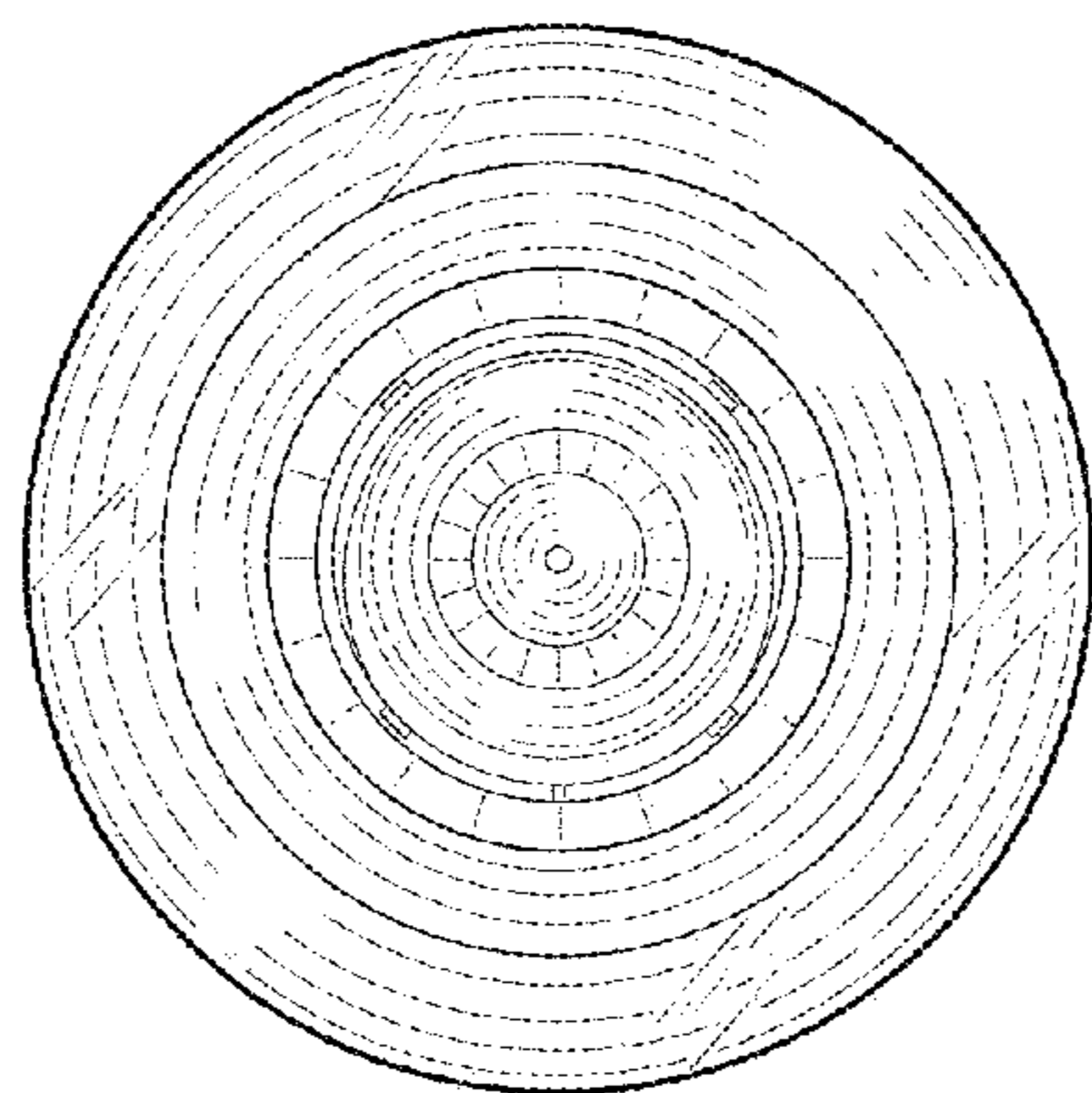


FIG. 7