



US00D688394S

(12) **United States Design Patent**
Tsai

(10) **Patent No.:** **US D688,394 S**

(45) **Date of Patent:** **** Aug. 20, 2013**

(54) **LED LIGHT**

(56) **References Cited**

(75) Inventor: **Wen-Kuei Tsai**, Taipei (TW)

U.S. PATENT DOCUMENTS

(73) Assignee: **Top Energy Saving Systems Corp.**,
New Taipei (TW)

D610,271	S	*	2/2010	Bi	D26/2
D616,120	S	*	5/2010	Wada et al.	D26/2
D617,918	S	*	6/2010	Yamamoto et al.	D26/2
D631,569	S	*	1/2011	Bobel	D26/2
D631,571	S	*	1/2011	Bobel	D26/2
D658,790	S	*	5/2012	Lee	D26/2

(**) Term: **14 Years**

* cited by examiner

(21) Appl. No.: **29/431,285**

Primary Examiner — Marcus Jackson

(22) Filed: **Sep. 5, 2012**

(74) *Attorney, Agent, or Firm* — Stout, Uxa, Buyan & Mullins, LLP

(30) **Foreign Application Priority Data**

(57) **CLAIM**

The ornamental design for a LED light, as shown and described.

Mar. 5, 2012 (TW) 101301168 A

DESCRIPTION

(51) **LOC (9) Cl.** **26-04**

FIG. 1 is a perspective view of a design for a LED light showing our new design;
FIG. 2 is a front elevational view thereof;
FIG. 3 is a rear elevational view thereof;
FIG. 4 is a left side elevational view thereof;
FIG. 5 is a right side elevational view thereof;
FIG. 6 is a top plan view thereof; and,
FIG. 7 is a bottom plan view thereof.

(52) **U.S. Cl.**

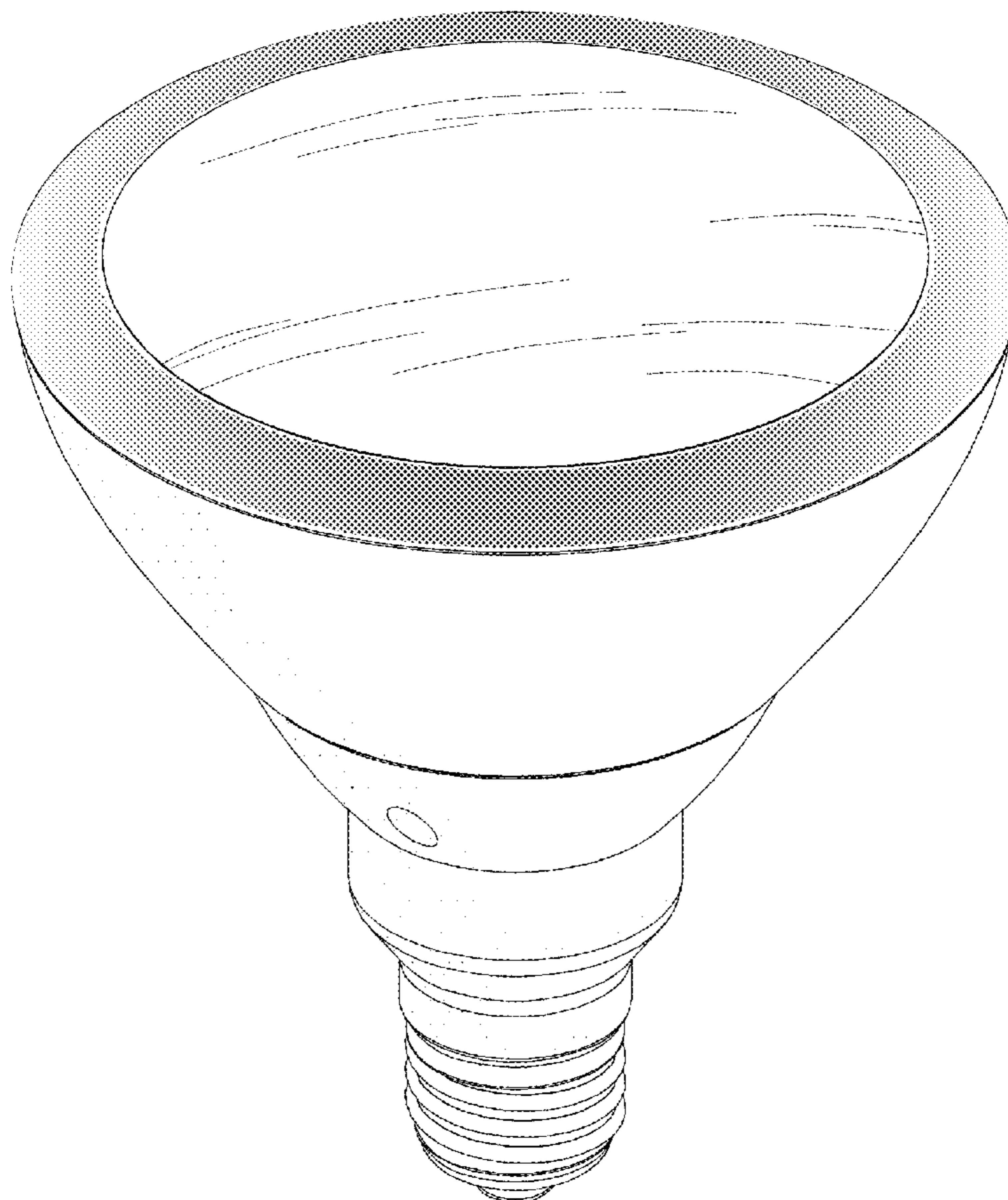
USPC **D26/2**

(58) **Field of Classification Search**

USPC D26/1-4; 313/313, 315, 316, 317,
313/318, 493; 315/52, 53, 56, 57, 58

See application file for complete search history.

1 Claim, 7 Drawing Sheets



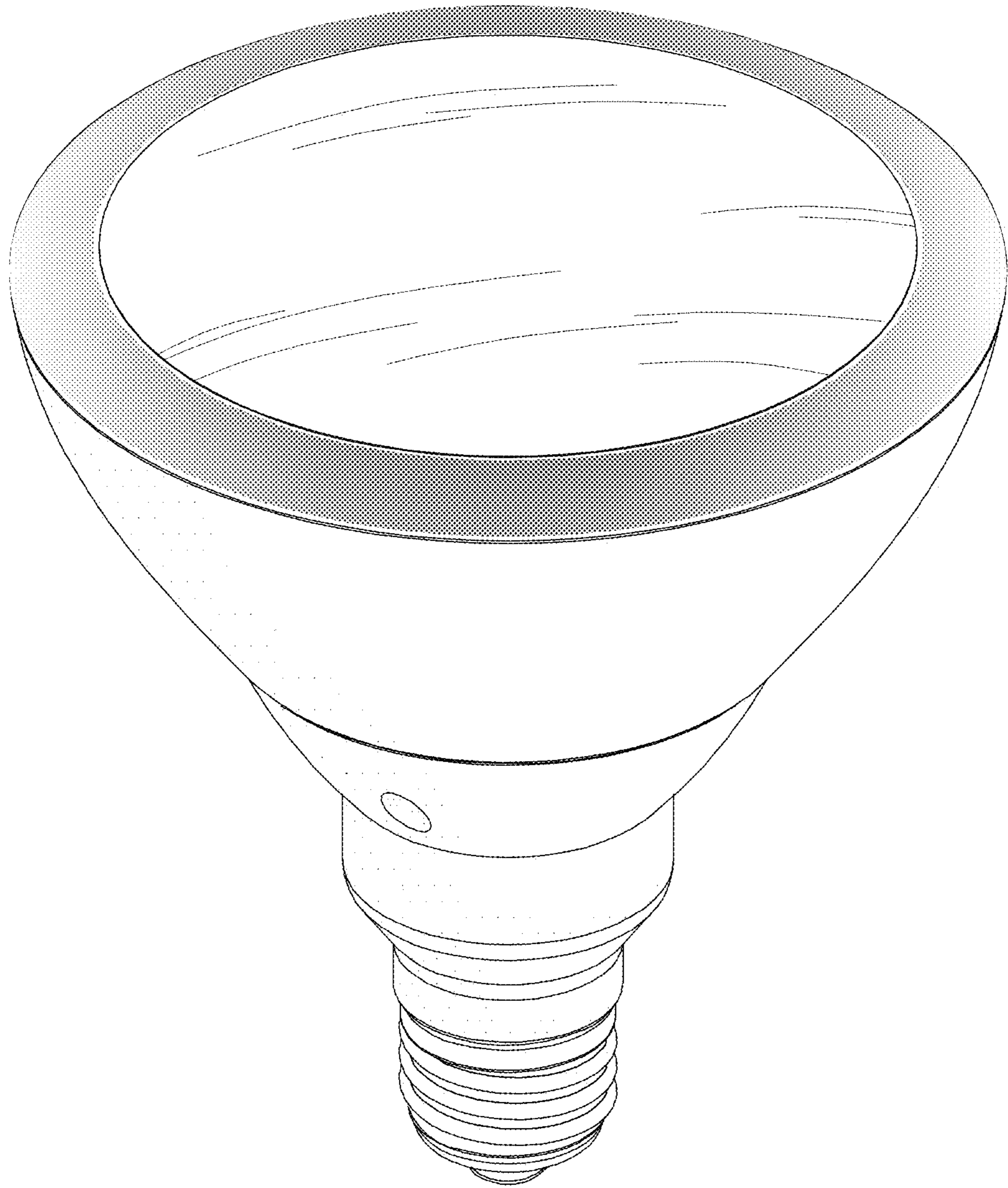


FIG. 1

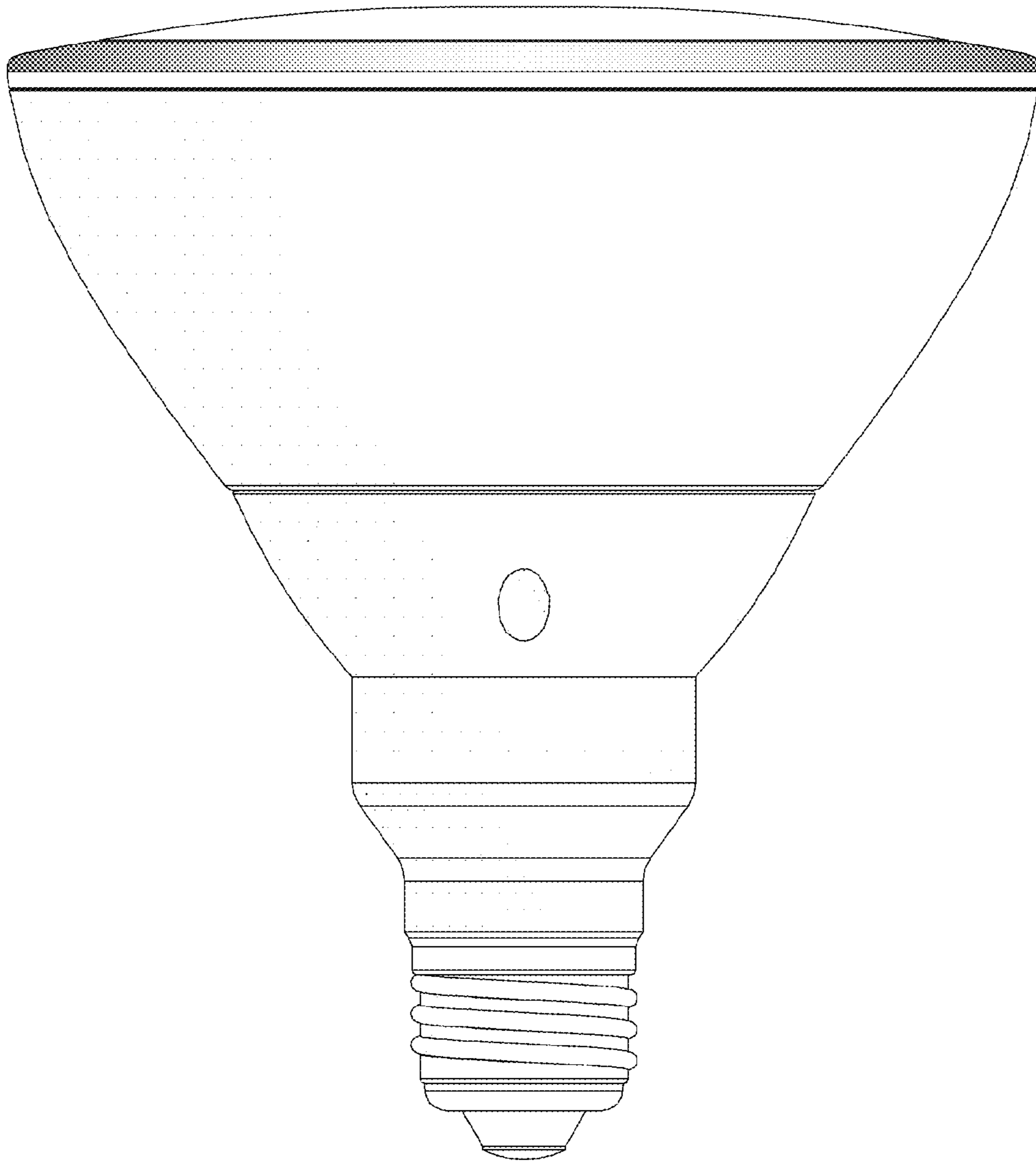


FIG.2

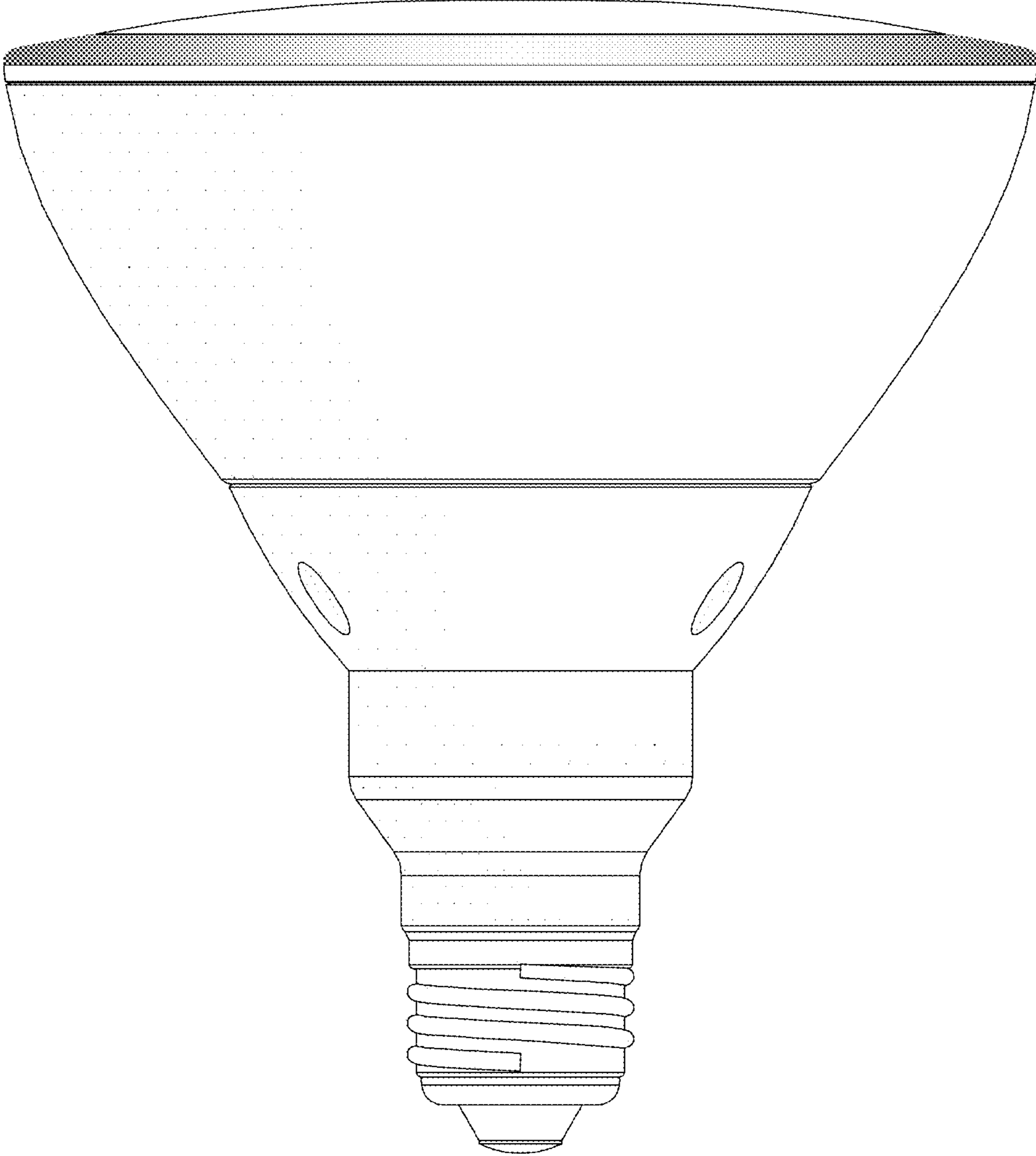


FIG.3

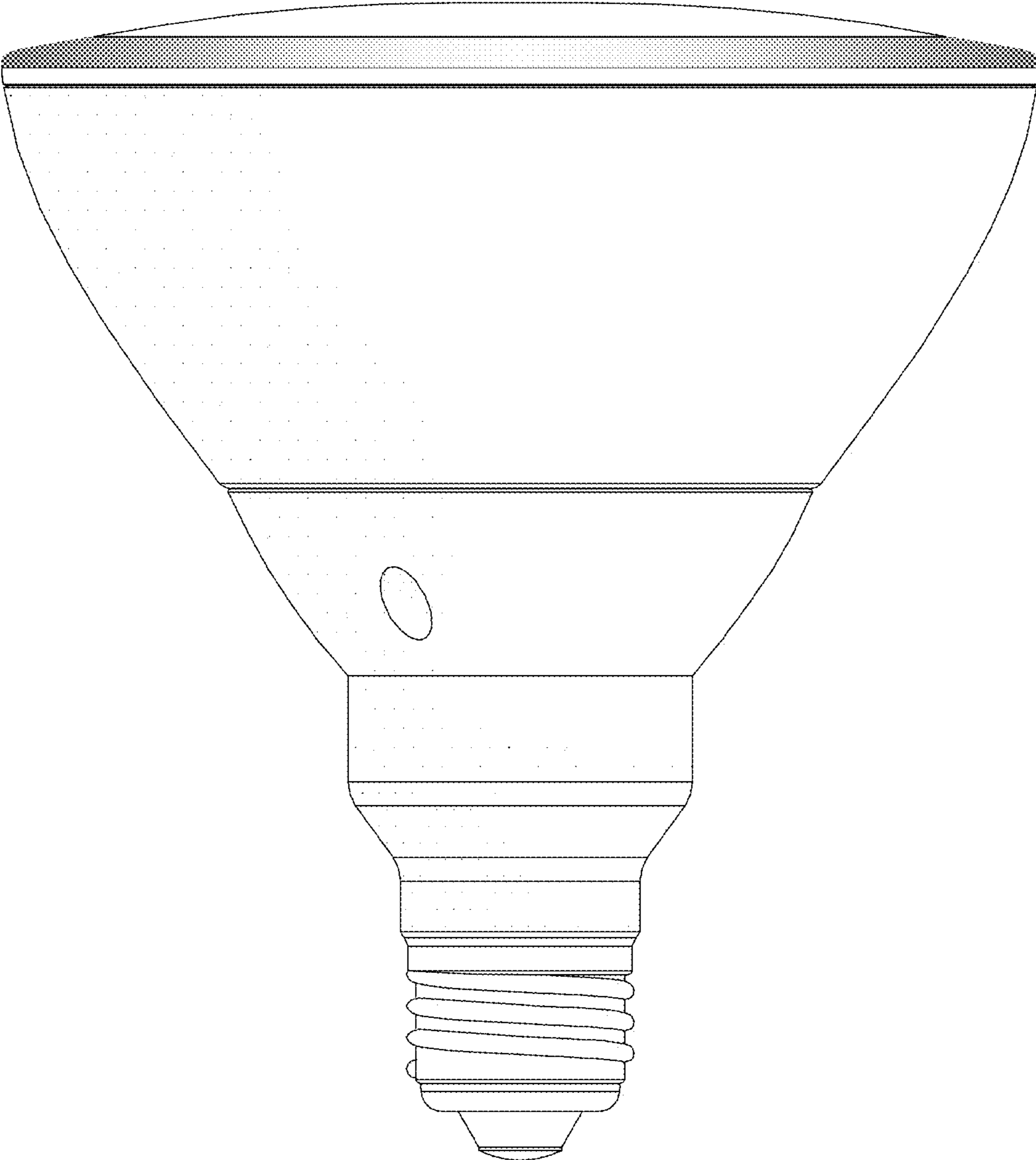


FIG.4

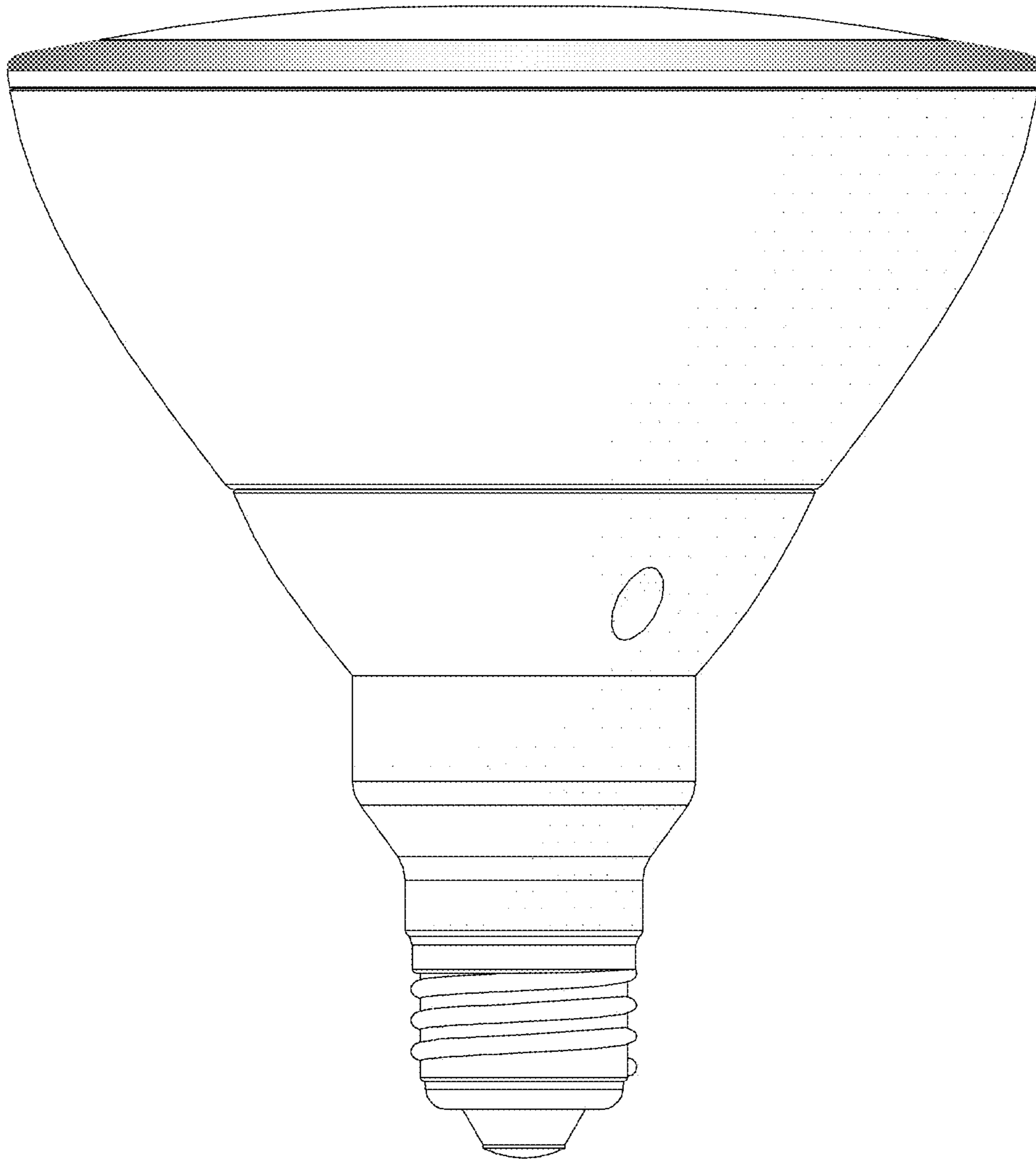


FIG. 5

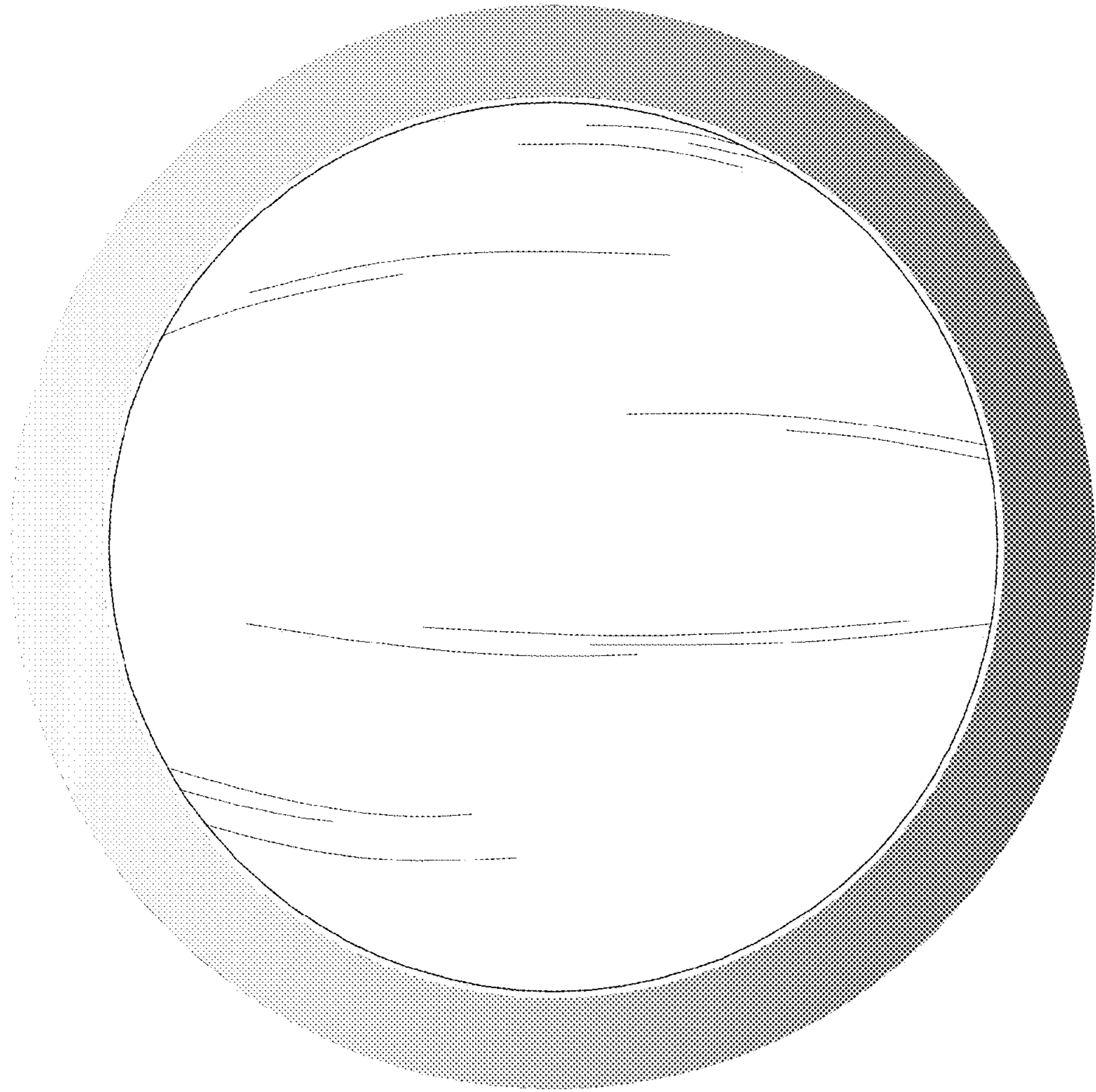


FIG.6

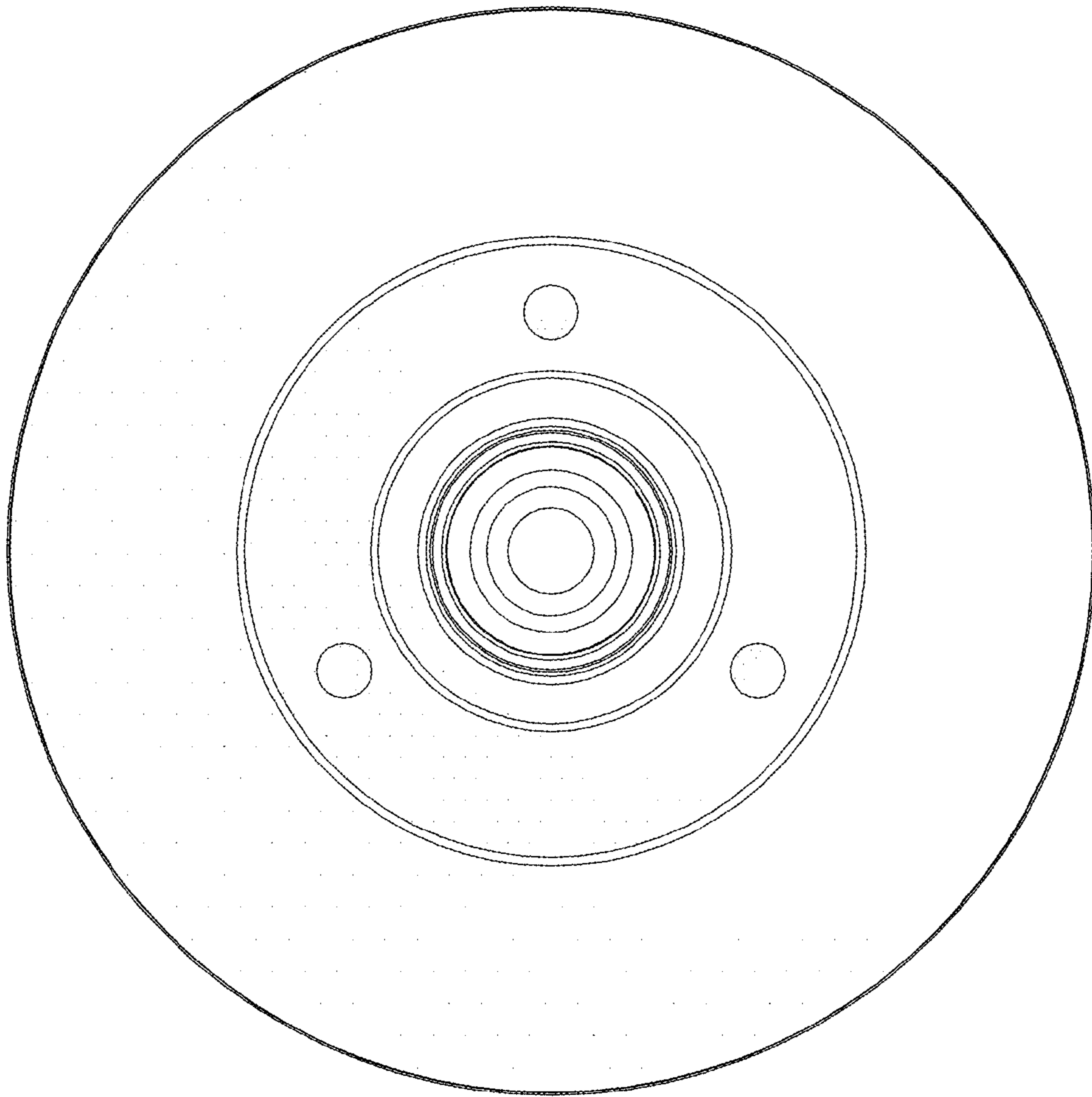


FIG.7