



US00D688392S

(12) **United States Design Patent**
Tsai

(10) **Patent No.:** **US D688,392 S**

(45) **Date of Patent:** **** Aug. 20, 2013**

(54) **LED LIGHT**

(75) **Inventor:** **Wen-Kuei Tsai**, Taipei (TW)

(73) **Assignee:** **Top Energy Saving System Corp.**, New Taipei (TW)

(**) **Term:** **14 Years**

(21) **Appl. No.:** **29/431,267**

(22) **Filed:** **Sep. 5, 2012**

(30) **Foreign Application Priority Data**

Mar. 5, 2012 (TW) 101301148

(51) **LOC (9) Cl.** **26-04**

(52) **U.S. Cl.**
USPC **D26/2**

(58) **Field of Classification Search**
USPC D26/1-4; 313/313, 315, 316, 317,
313/318, 493; 315/52, 53, 56, 57, 58
See application file for complete search history.

(56) **References Cited**

U.S. PATENT DOCUMENTS

D433,167 S * 10/2000 Yim D26/2
D471,294 S * 3/2003 Bobel D26/2

D487,939 S * 3/2004 Smith D26/2
D494,688 S * 8/2004 Van de Ven et al. D26/2
D499,820 S * 12/2004 Foo D26/2
D500,872 S * 1/2005 Foo D26/2
D534,665 S * 1/2007 Egawa et al. D26/2
D549,361 S * 8/2007 To et al. D26/2
D628,320 S * 11/2010 Yamamoto D26/2
D634,451 S * 3/2011 de Visser D26/2

* cited by examiner

Primary Examiner — Marcus Jackson

(74) *Attorney, Agent, or Firm* — Stout, Uxa, Buyan & Mullins, LLP

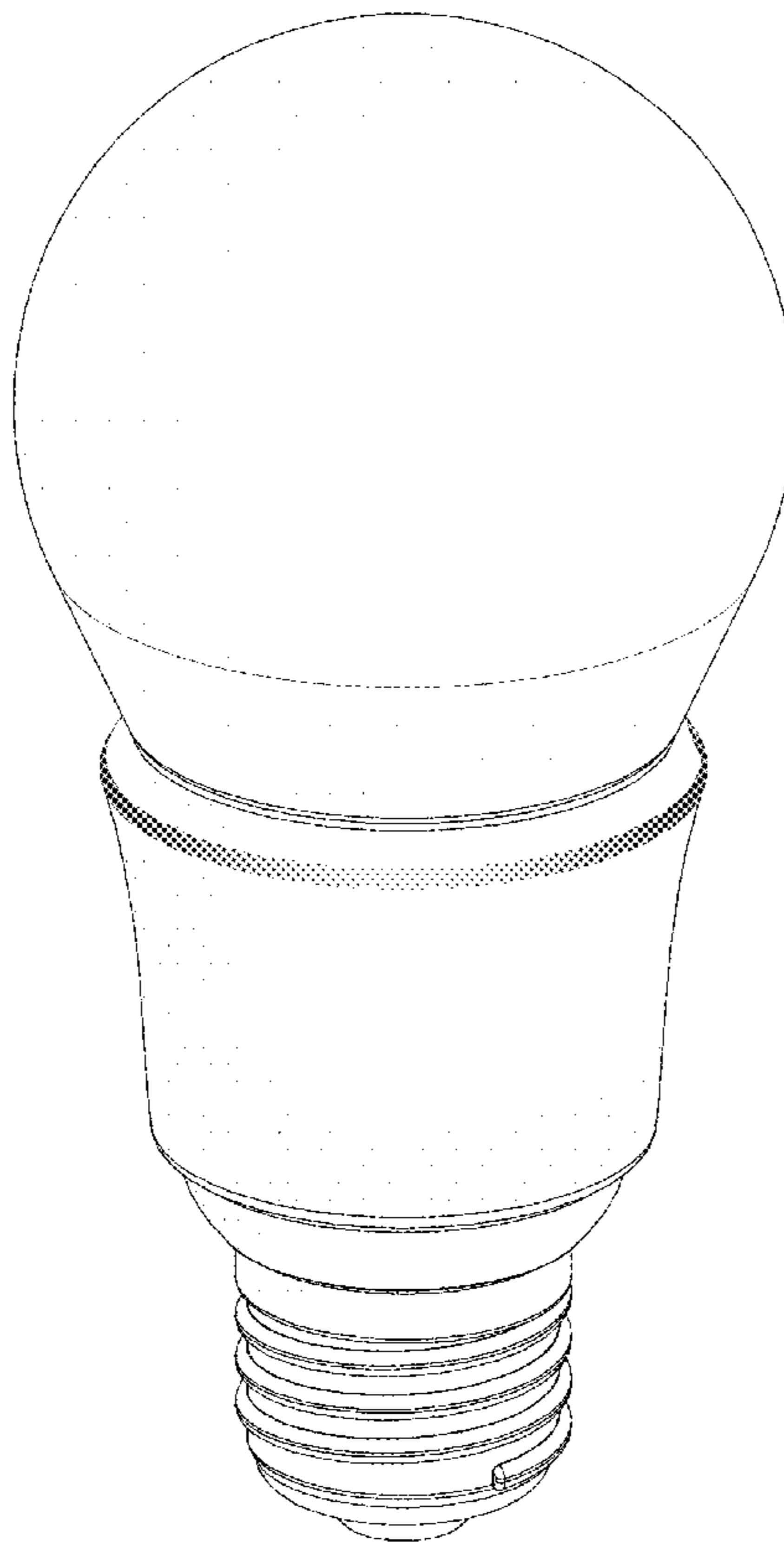
(57) **CLAIM**

The ornamental design for a LED light, as shown and described.

DESCRIPTION

FIG. 1 is a perspective view of a design for a LED light showing our new design;
FIG. 2 is a front elevational view thereof;
FIG. 3 is a rear elevational view thereof;
FIG. 4 is a left side elevational view thereof;
FIG. 5 is a right side elevational view thereof;
FIG. 6 is a top plan view thereof; and,
FIG. 7 is a bottom plan view thereof.

1 Claim, 7 Drawing Sheets



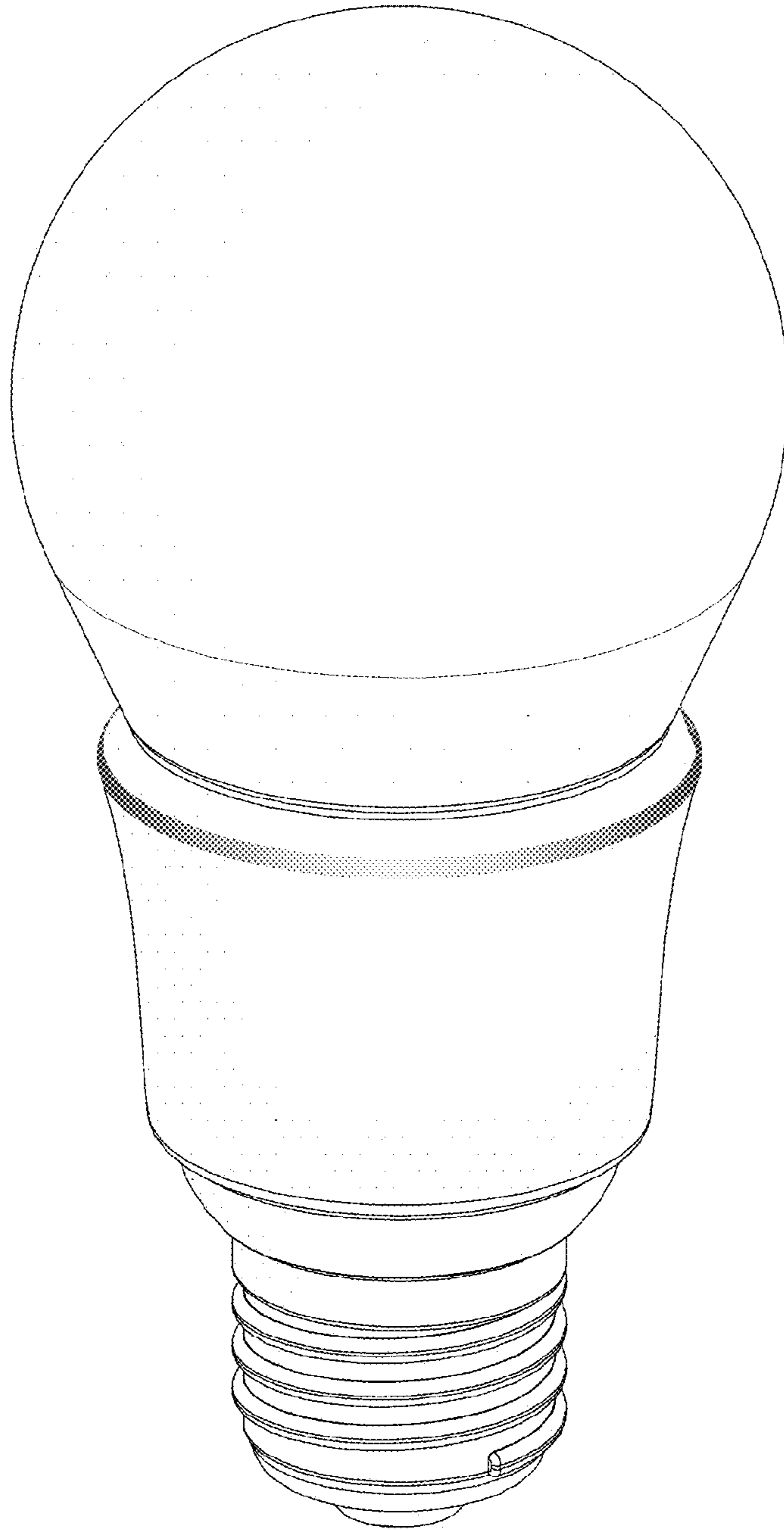


FIG. 1

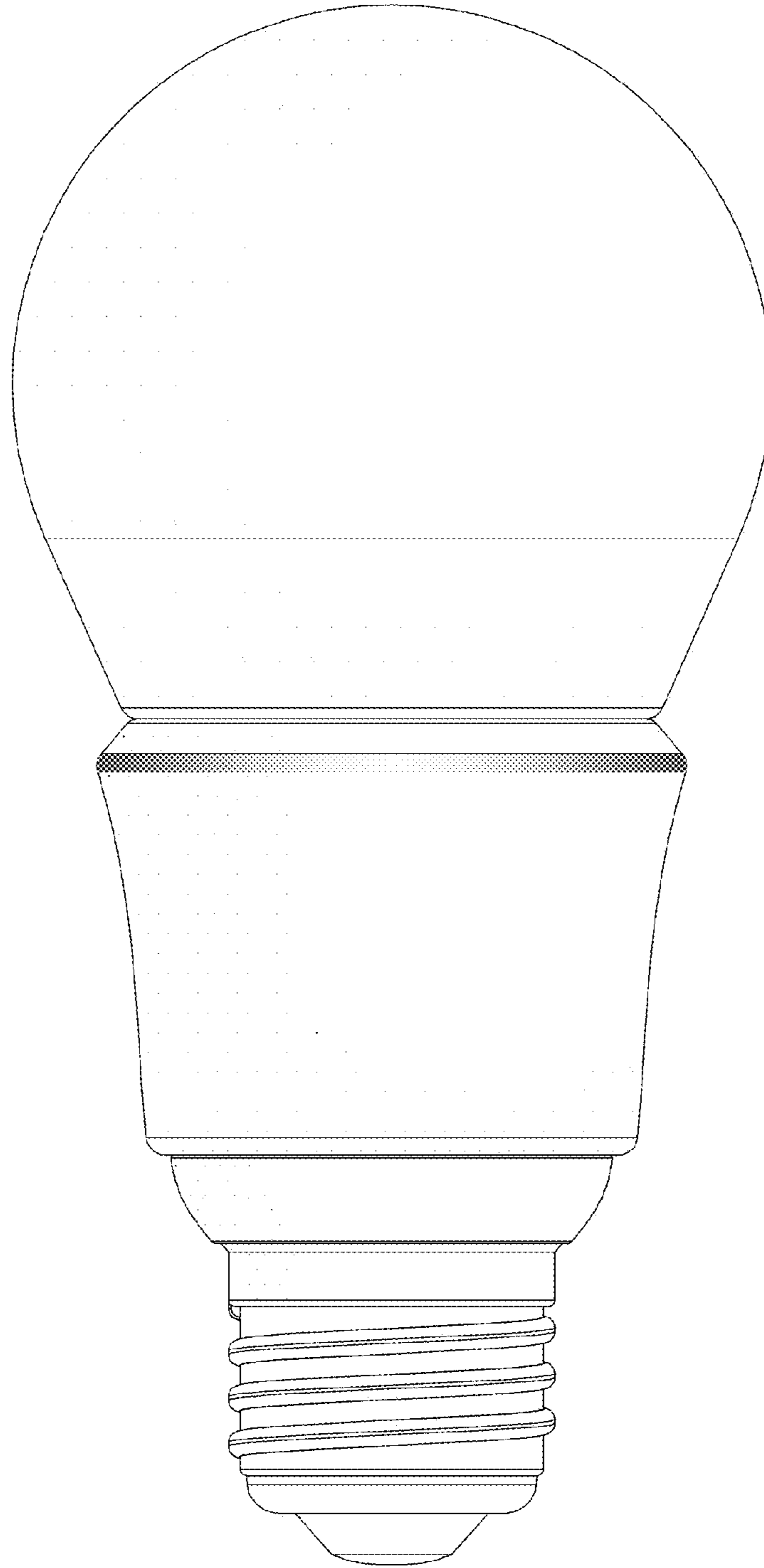


FIG. 2

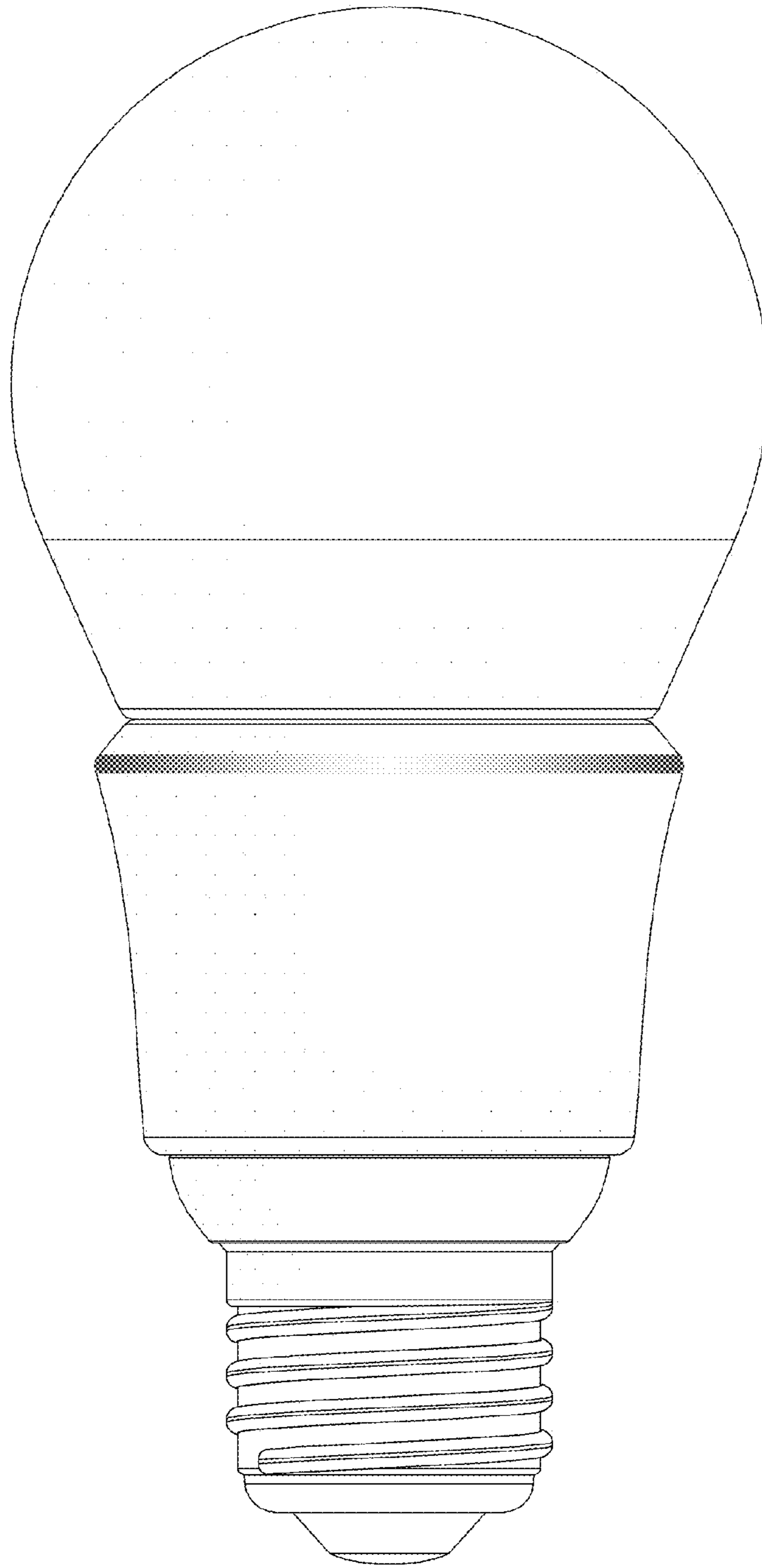


FIG.3

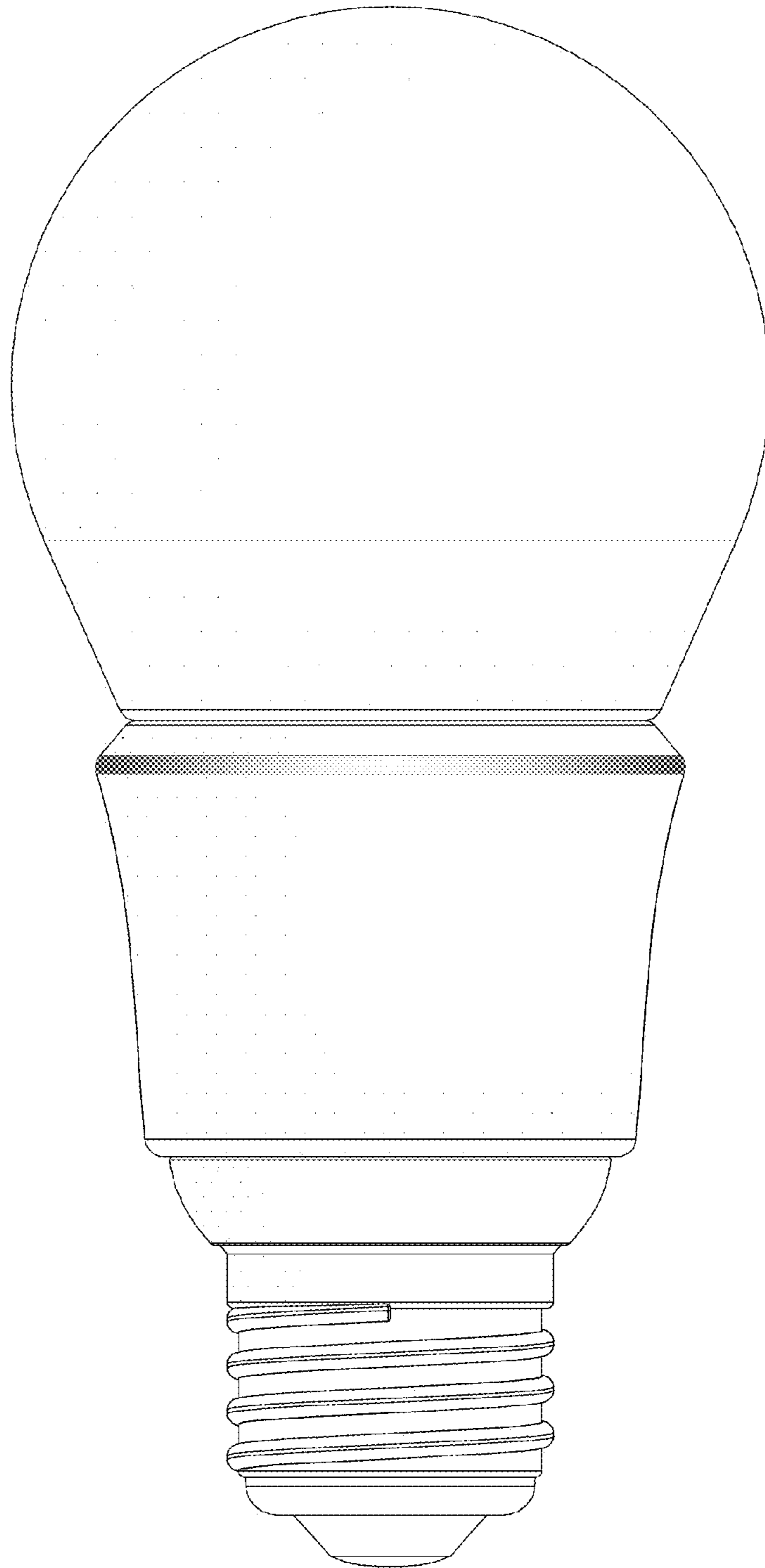


FIG. 4

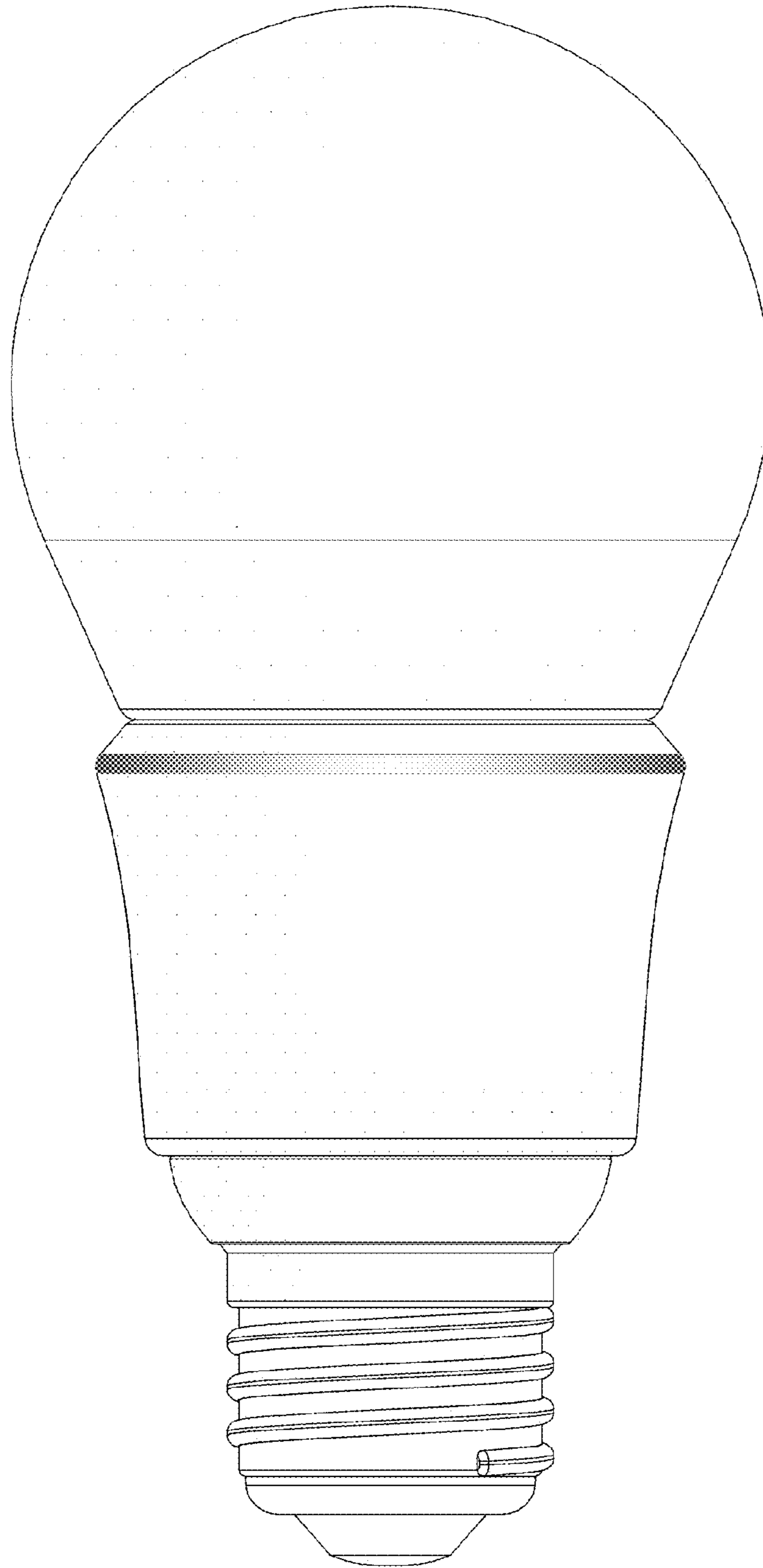


FIG. 5

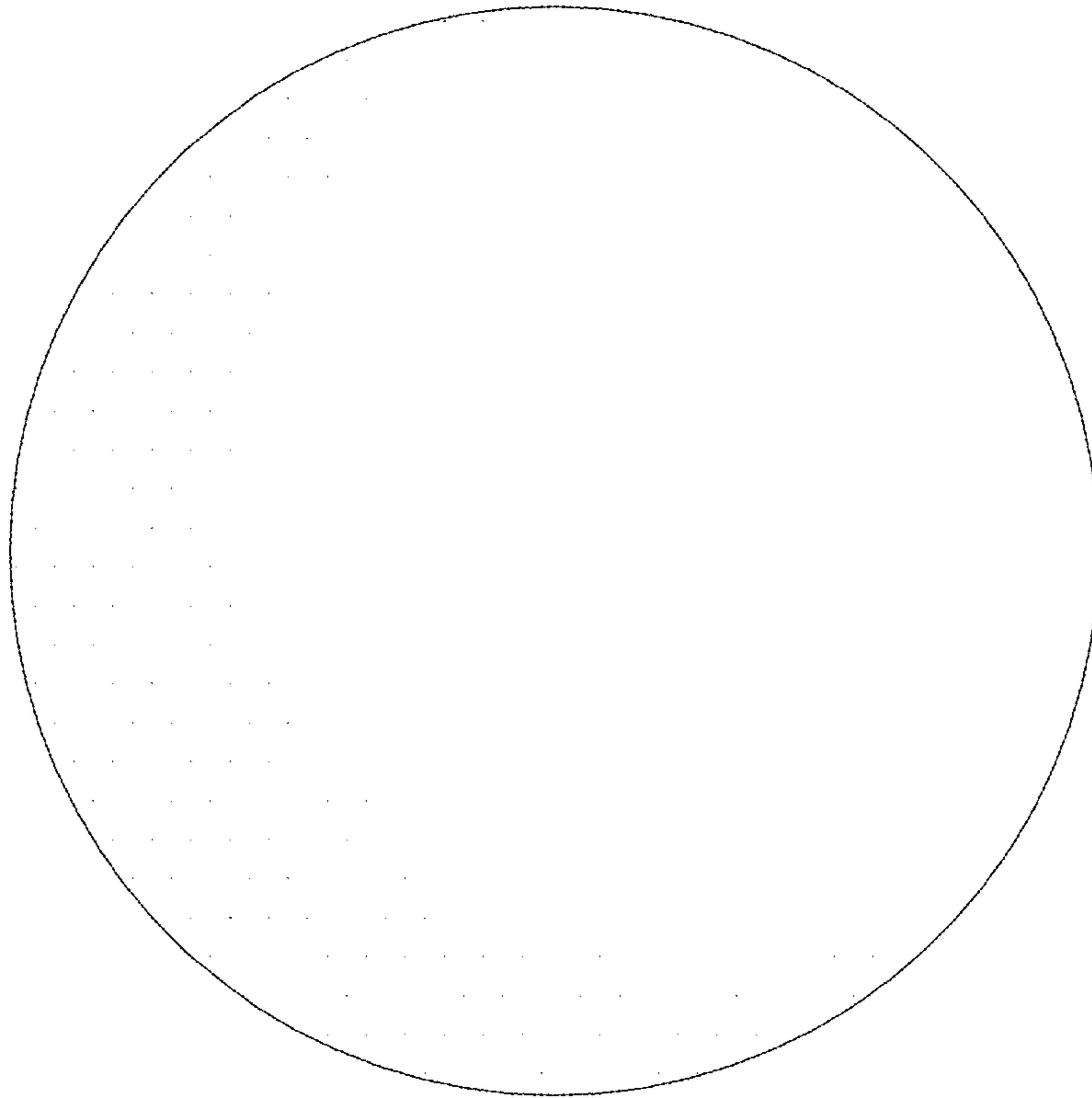


FIG.6

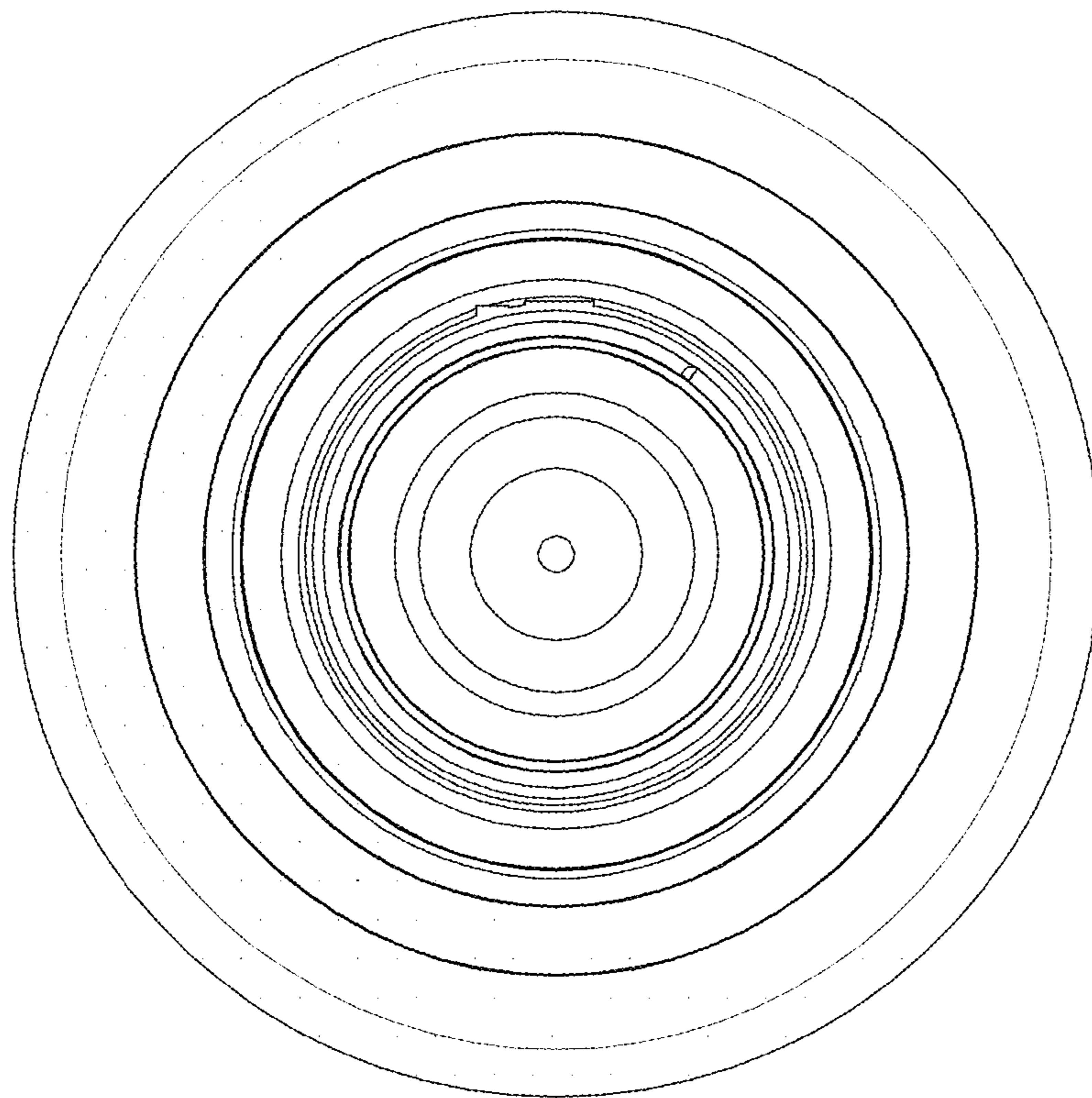


FIG. 7