



US00D688391S

(12) **United States Design Patent**  
**Huang et al.**

(10) **Patent No.:** **US D688,391 S**  
(45) **Date of Patent:** **\*\* Aug. 20, 2013**

(54) **LAMP**

(75) Inventors: **Yaote Huang**, Morrisville, NC (US);  
**Curt Progl**, Raleigh, NC (US)

(73) Assignee: **Cree, Inc.**, Durham, NC (US)

(\*\*) Term: **14 Years**

(21) Appl. No.: **29/430,958**

(22) Filed: **Aug. 31, 2012**

(51) **LOC (9) Cl.** ..... **26-04**

(52) **U.S. Cl.**  
USPC ..... **D26/2**

(58) **Field of Classification Search**  
USPC ..... D26/1-4; 313/313, 315, 316, 317,  
313/318, 493; 315/52, 53, 56, 57, 58  
See application file for complete search history.

(56) **References Cited**

U.S. PATENT DOCUMENTS

D530,836 S	*	10/2006	Johnson	.....	D26/2
D545,457 S	*	6/2007	Chen	.....	D26/2
D551,784 S	*	9/2007	Krieglmeyer et al.	.....	D26/2
D572,385 S	*	7/2008	Mazzochette et al.	.....	D26/2
D581,554 S	*	11/2008	To et al.	.....	D26/2
D674,124 S	*	1/2013	Huang	.....	D26/2

OTHER PUBLICATIONS

U.S. Appl. No. 29/422,277, filed May 18, 2012.

\* cited by examiner

*Primary Examiner* — Marcus Jackson

(74) *Attorney, Agent, or Firm* — Dennis J. Williamson;  
Moore & Van Allen PLLC

(57) **CLAIM**

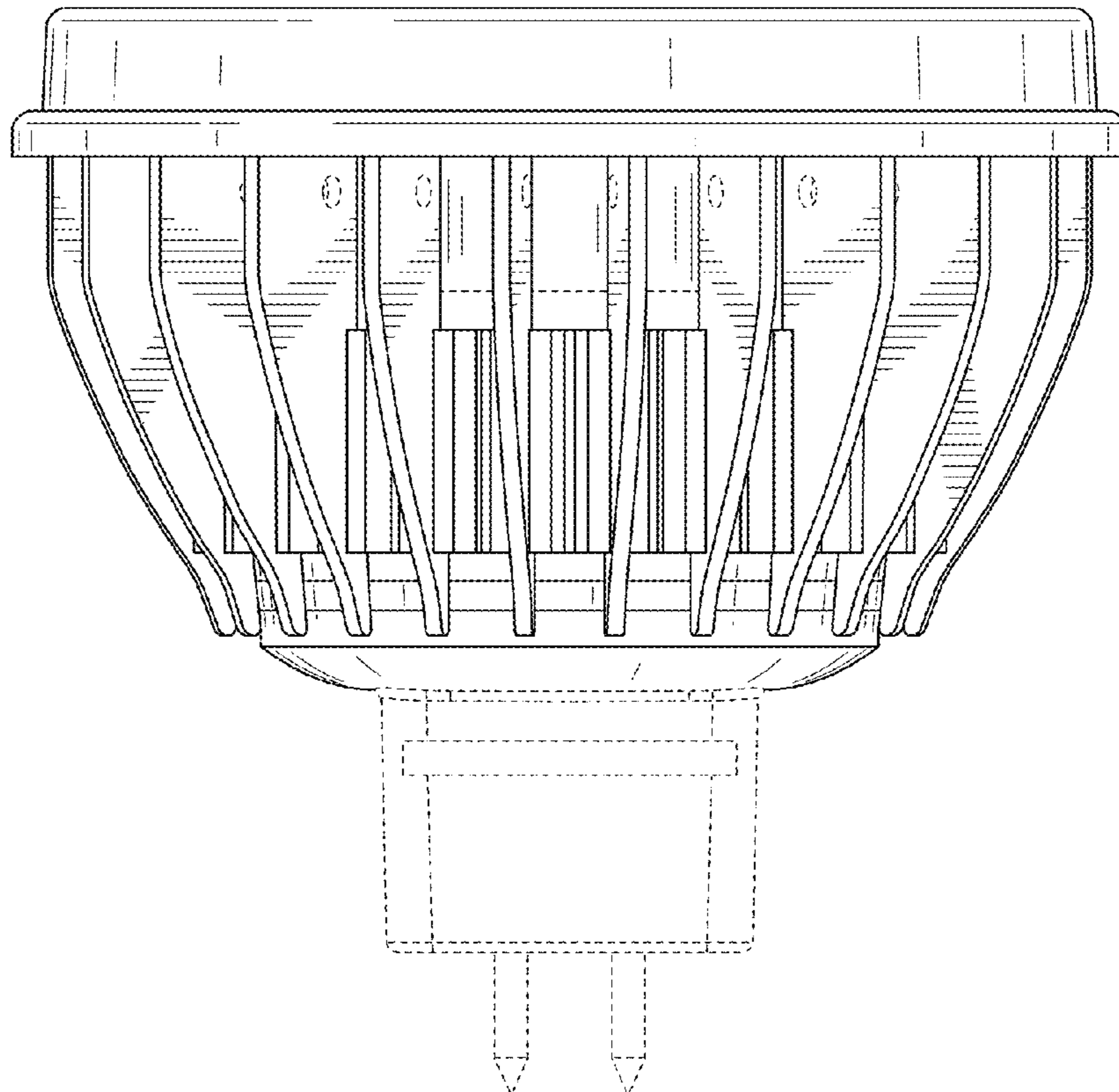
We claim the ornamental design for a lamp, as shown and described.

**DESCRIPTION**

FIG. 1 is a front view showing our new design for a lamp;  
FIG. 2 is a right side view showing our new design shown in FIG. 1;  
FIG. 3 is a left side view showing our new design shown in FIG. 1;  
FIG. 4 is a back view showing our new design shown in FIG. 1;  
FIG. 5 is a top view showing our new design shown in FIG. 1;  
FIG. 6 is a bottom view showing our new design shown in FIG. 1; and,  
FIG. 7 is a perspective view showing our new design shown in FIG. 1.

The portions shown in broken lines are not part of the claimed design but show the environment in which the design is associated.

**1 Claim, 7 Drawing Sheets**



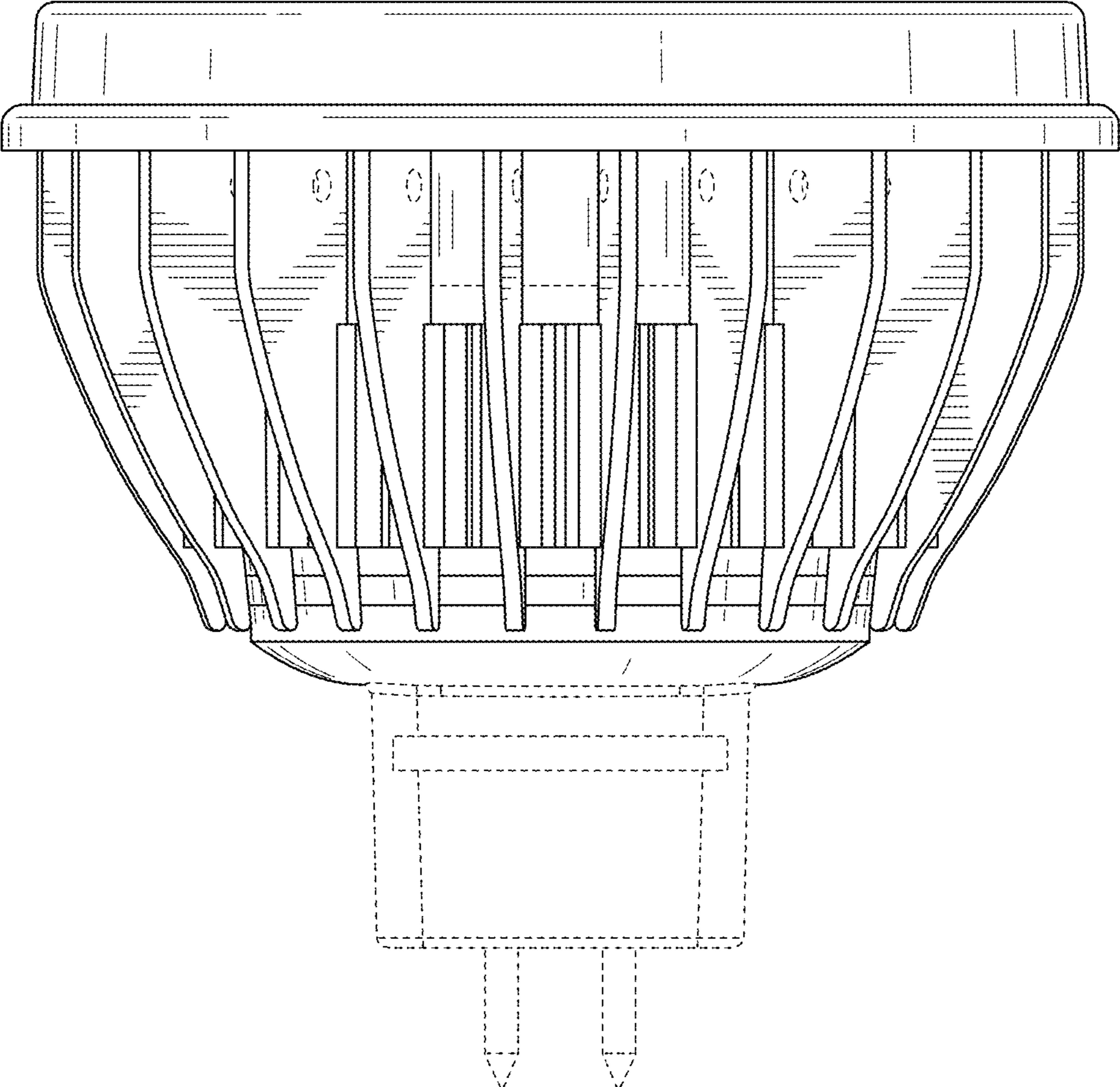


FIG. 1

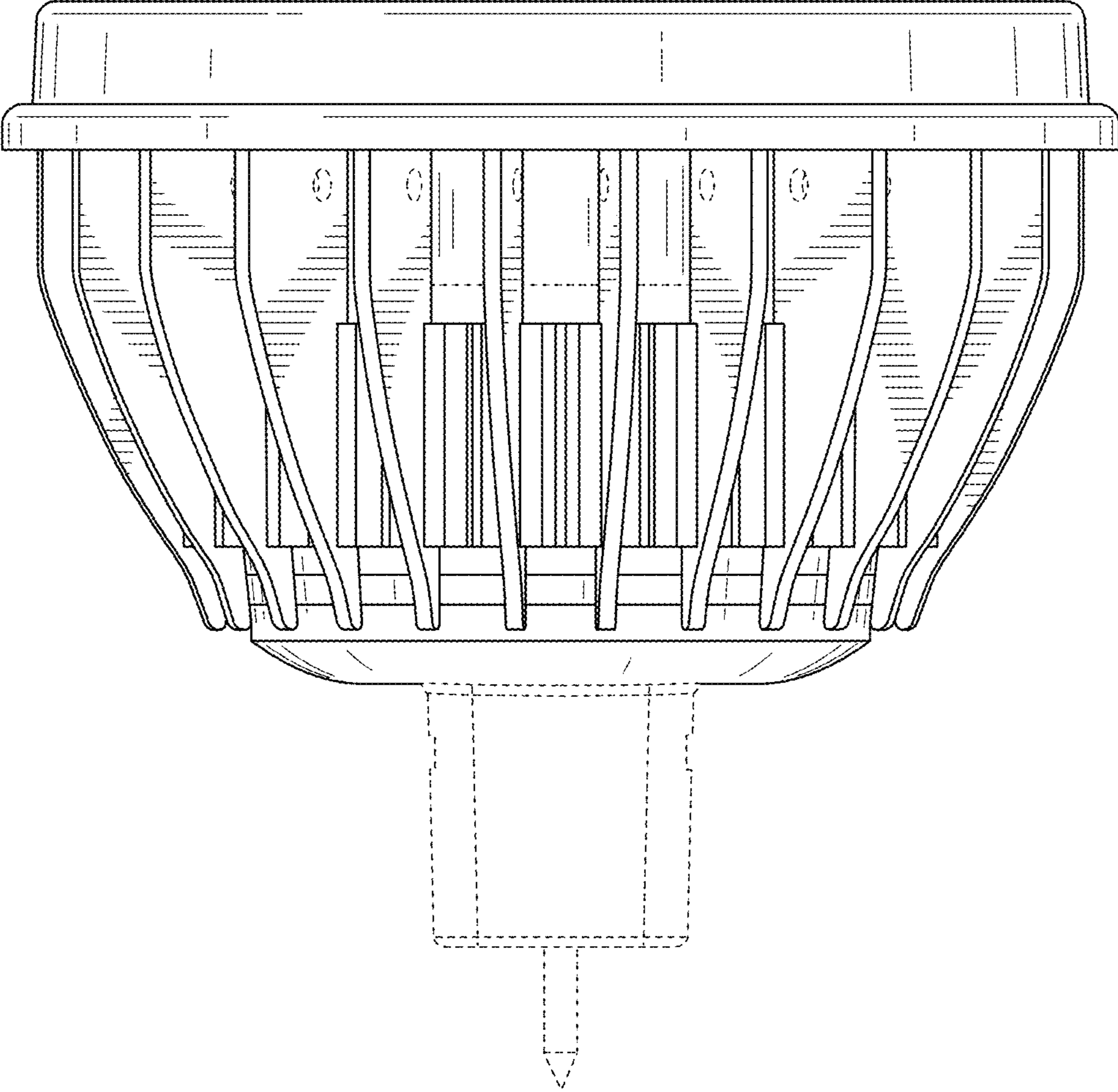


FIG. 2

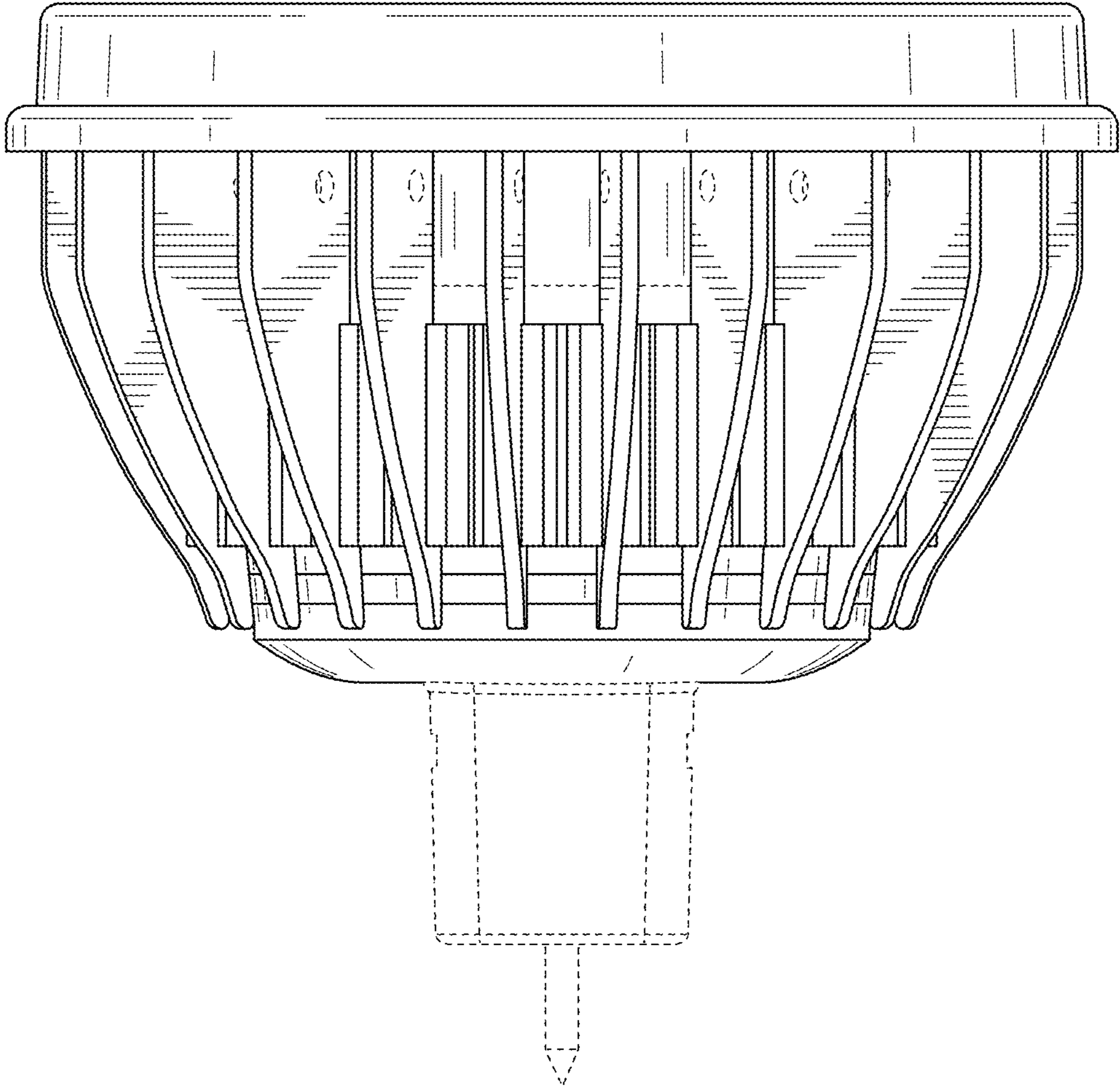


FIG. 3

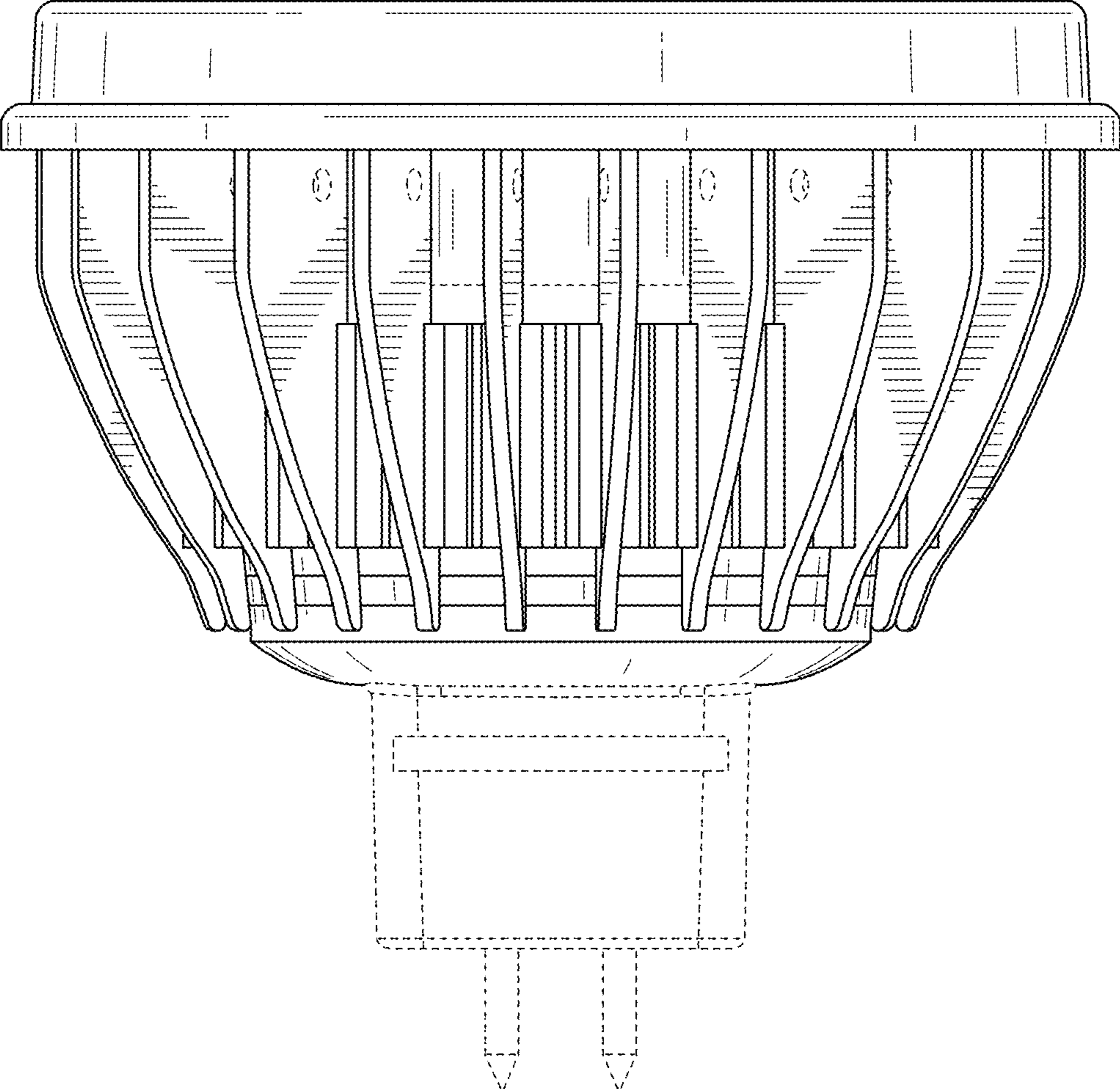


FIG. 4

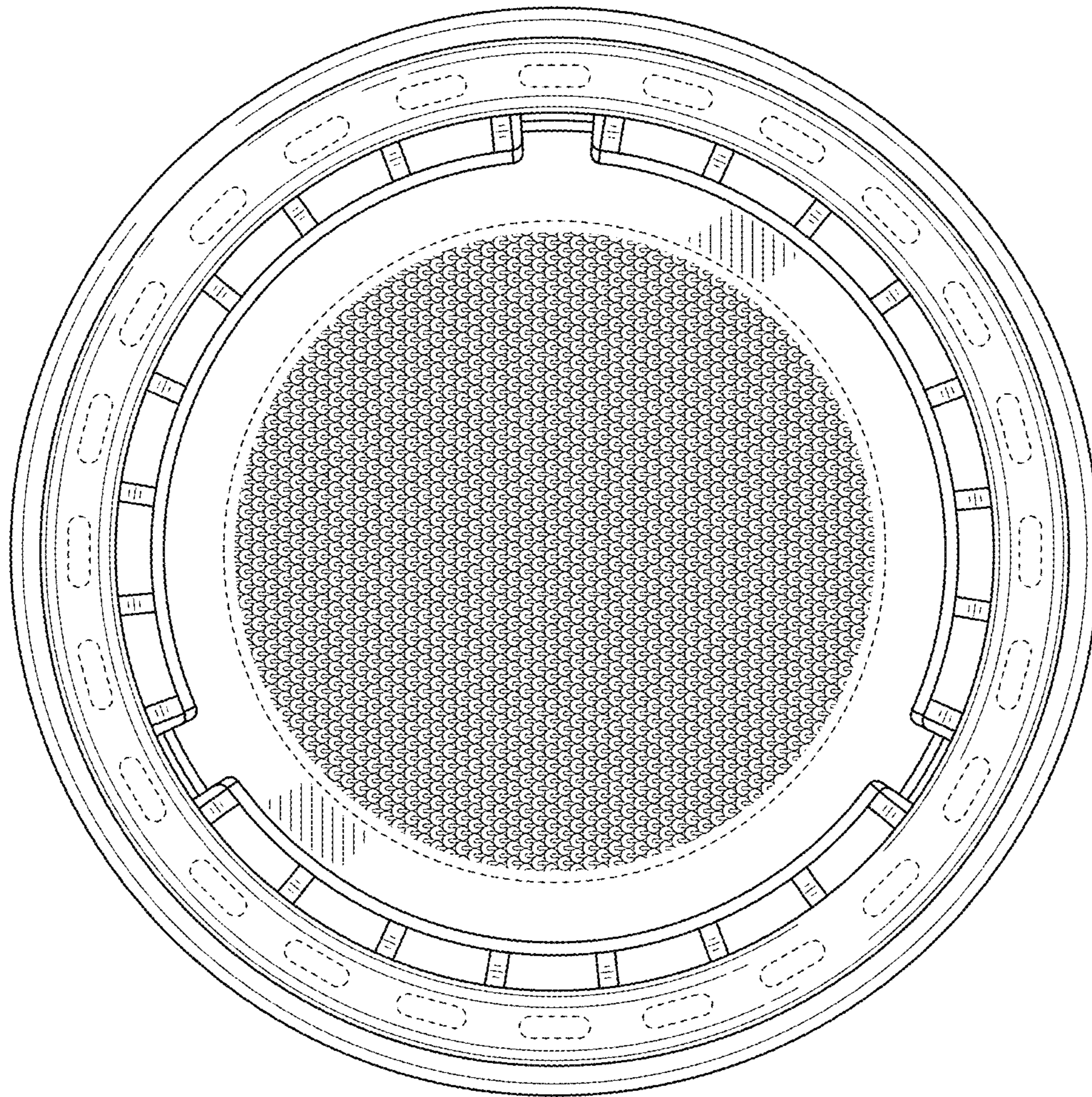


FIG. 5

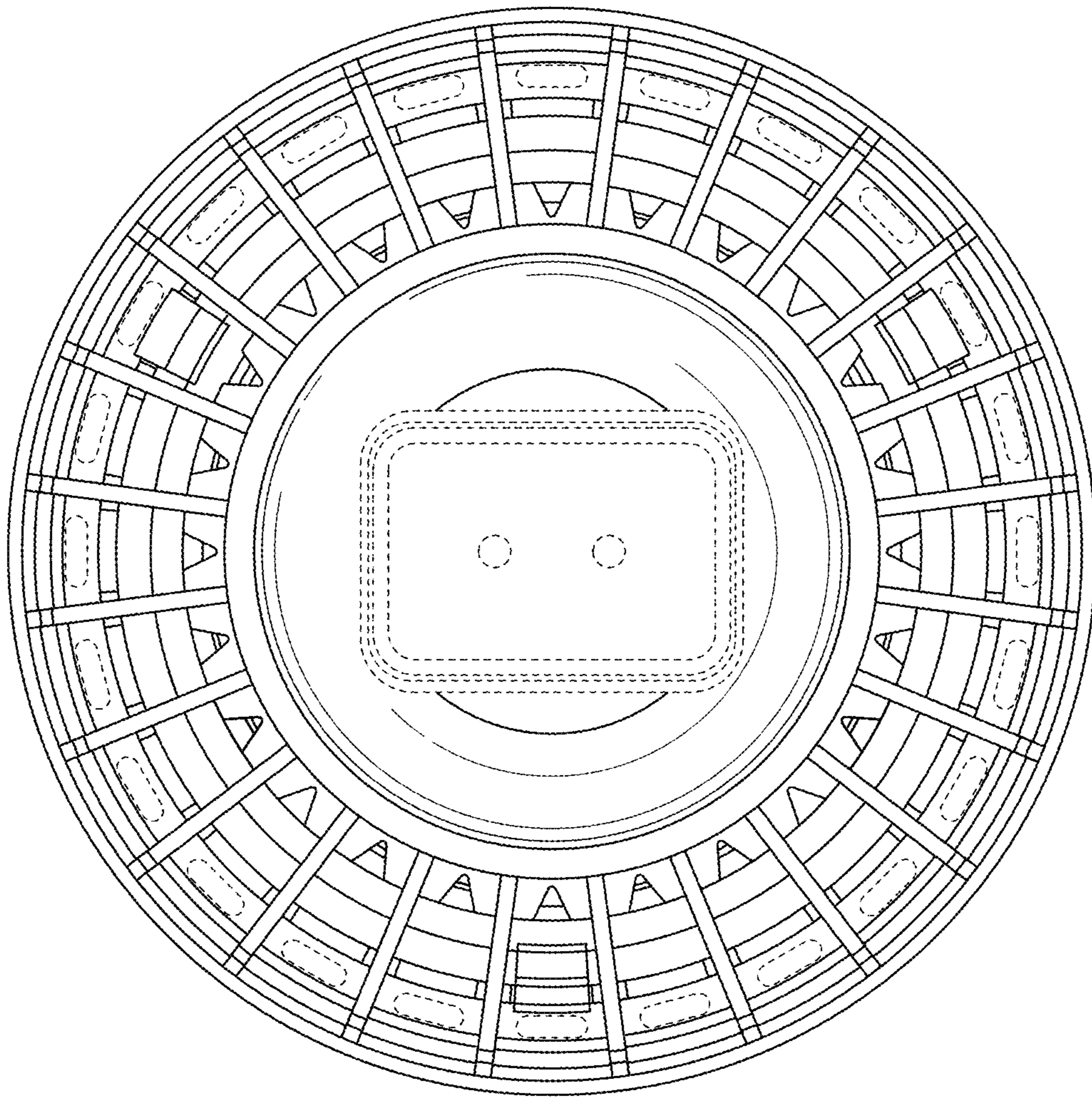


FIG. 6

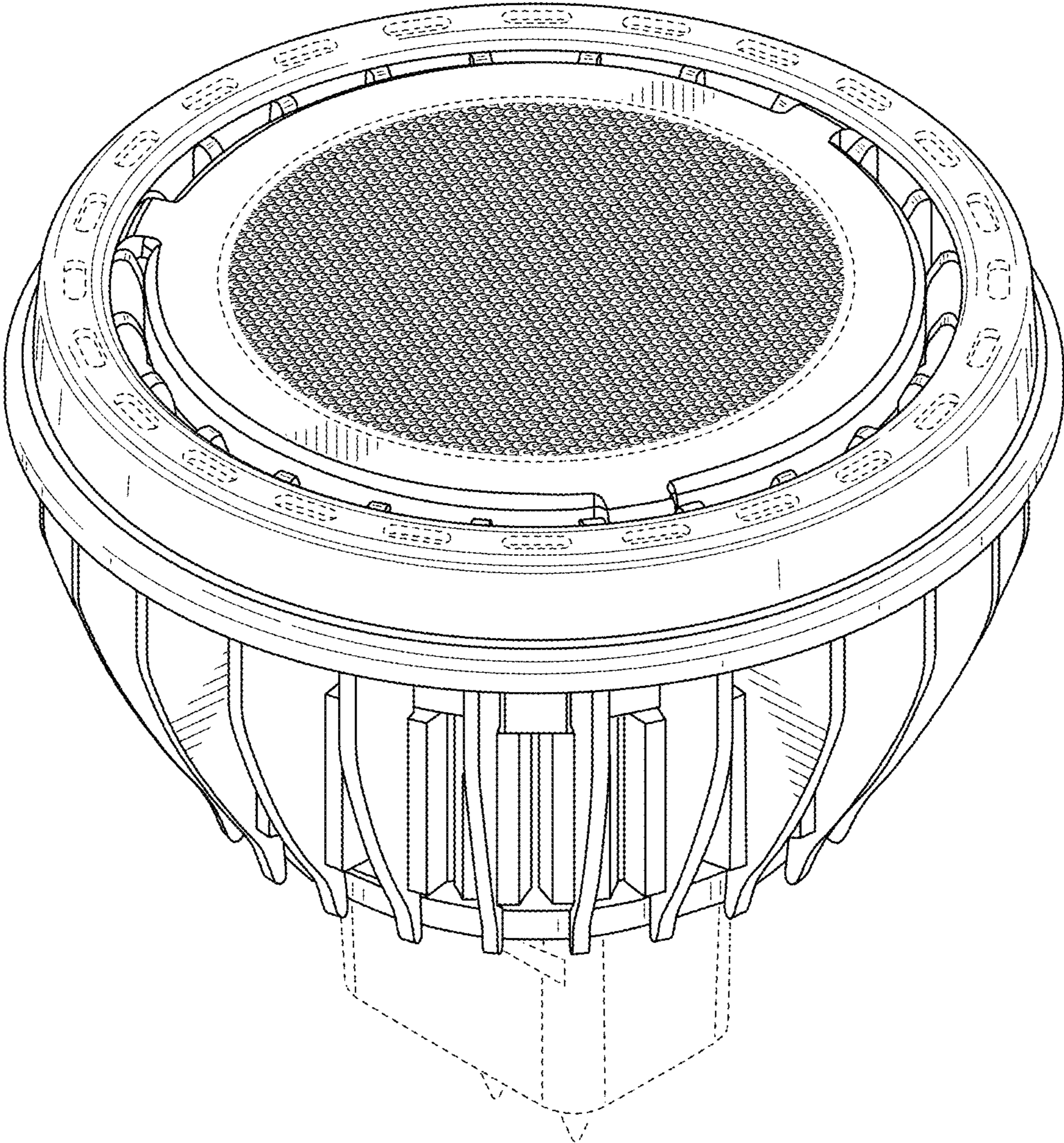


FIG. 7