



US00D688375S

(12) **United States Design Patent**
Kweon

(10) **Patent No.:** **US D688,375 S**

(45) **Date of Patent:** **** Aug. 20, 2013**

(54) **DEVICE FOR MEASURING A PARAMETER FOR MANUFACTURING SPECTACLE LENS**

7,976,160 B2 * 7/2011 Nauche 351/204
8,079,710 B2 * 12/2011 Benyamini et al. 351/223
8,380,456 B2 * 2/2013 Igarashi et al. 702/95

(71) Applicant: **Viewitech Co., Ltd.**, Anyang-si (KR)

* cited by examiner

(72) Inventor: **Hyuk Je Kweon**, Gwacheon-si (KR)

Primary Examiner — Antoine D Davis

(73) Assignee: **Viewitech Co., Ltd.**, Gyeonggi-do (KR)

(74) *Attorney, Agent, or Firm* — The PL Law Group, PLLC

(**) Term: **14 Years**

(57) **CLAIM**

The ornamental design for a device for measuring a parameter for manufacturing spectacle lens, as shown and described.

(21) Appl. No.: **29/439,066**

DESCRIPTION

(22) Filed: **Dec. 6, 2012**

FIG. 1 is a perspective view of a device for measuring a parameter for manufacturing spectacle lens, showing my new design;

(30) **Foreign Application Priority Data**

Nov. 19, 2012 (KR) 30-2012-0055179

FIG. 2 is a front view thereof;

(51) **LOC (9) Cl.** **24-01**

FIG. 3 is a rear view thereof;

(52) **U.S. Cl.**

USPC **D24/172**; D10/64

FIG. 4 is a left side view thereof;

(58) **Field of Classification Search**

USPC D10/46, 64; D24/133, 137, 150, D24/172; 33/200, 507; 351/200–247

FIG. 5 is a right side view thereof;

See application file for complete search history.

FIG. 6 is a top plan view thereof;

FIG. 7 is a bottom plan view thereof;

FIG. 8 is a perspective view showing an example of the usage of the device for measuring a parameter for manufacturing spectacle lens in which the device is coupled to a tablet computer; and,

(56) **References Cited**

U.S. PATENT DOCUMENTS

6,811,260 B2 * 11/2004 Yamakaji 351/159.02
7,108,373 B2 * 9/2006 Yamakaji 351/159.74
7,237,897 B2 * 7/2007 Terabe 351/222
D617,462 S * 6/2010 Nauche D24/172
D638,943 S * 5/2011 Daniel D24/172

FIG. 9 is a front view showing an example of the usage of the device for measuring a parameter for manufacturing spectacle lens in which the device is coupled to a tablet computer. The purpose of broken lines in the drawings is to show environmental structure or boundaries that form no part of the design to be patented.

1 Claim, 7 Drawing Sheets

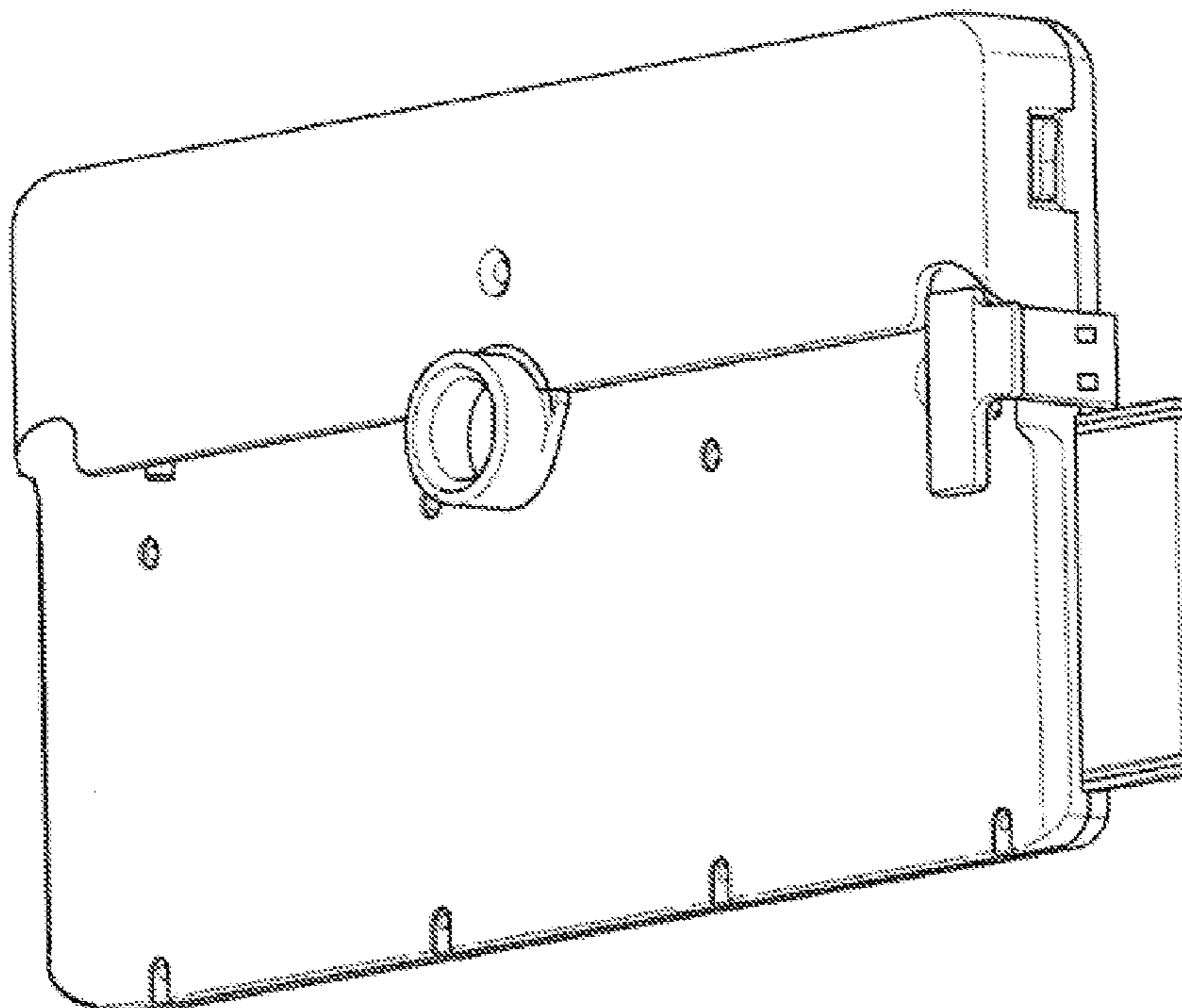


FIG. 1

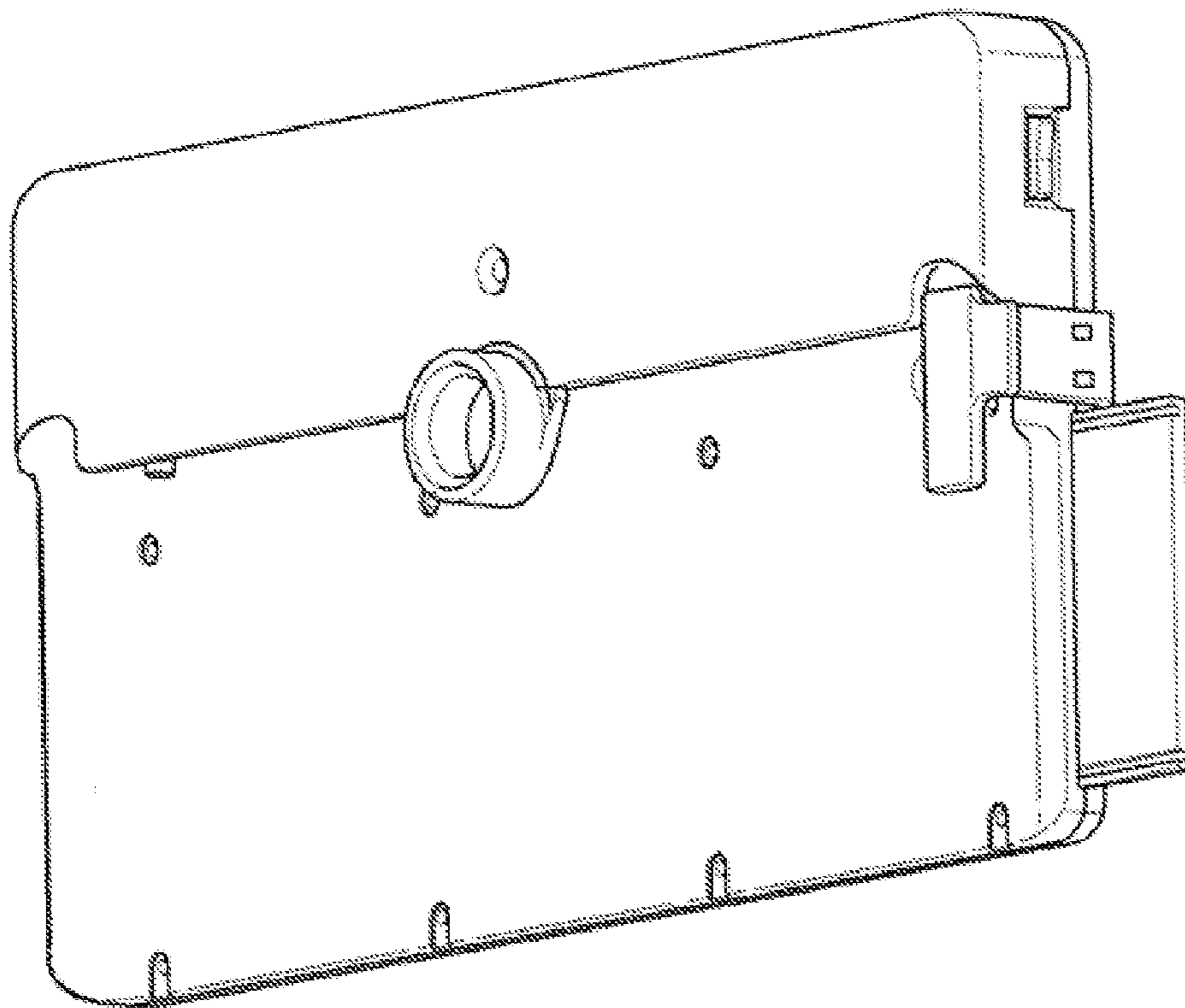


FIG. 2

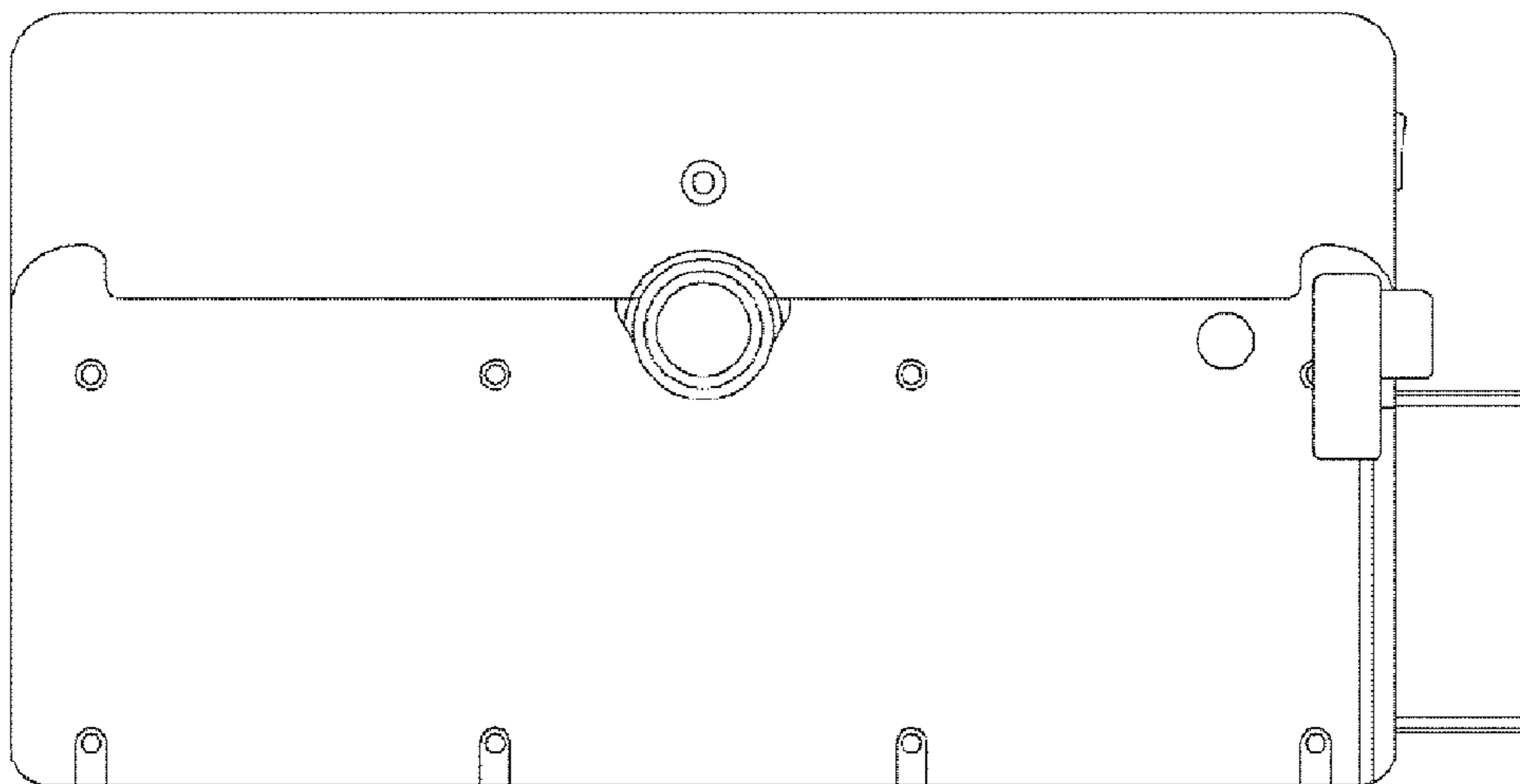


FIG. 3

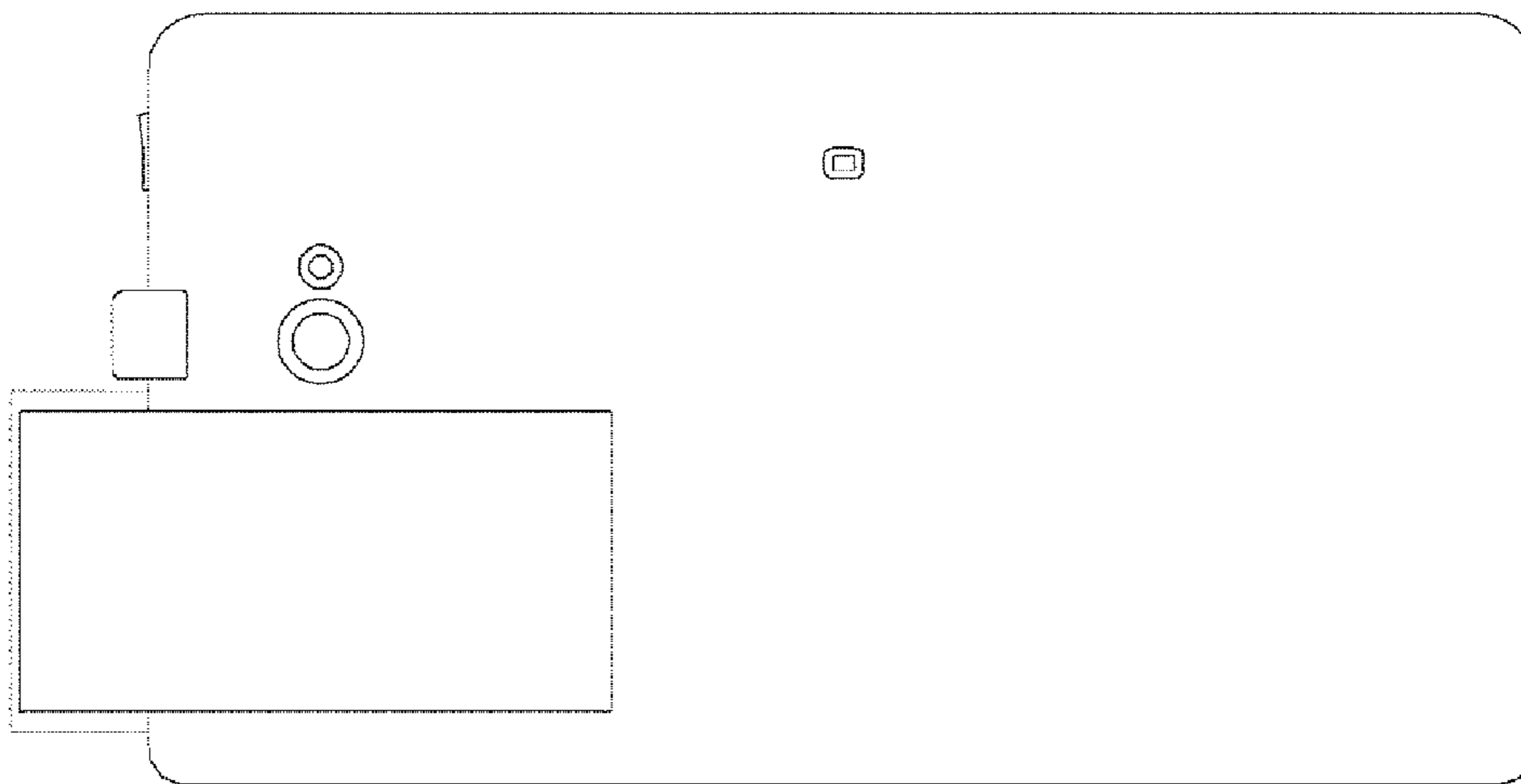


FIG. 4

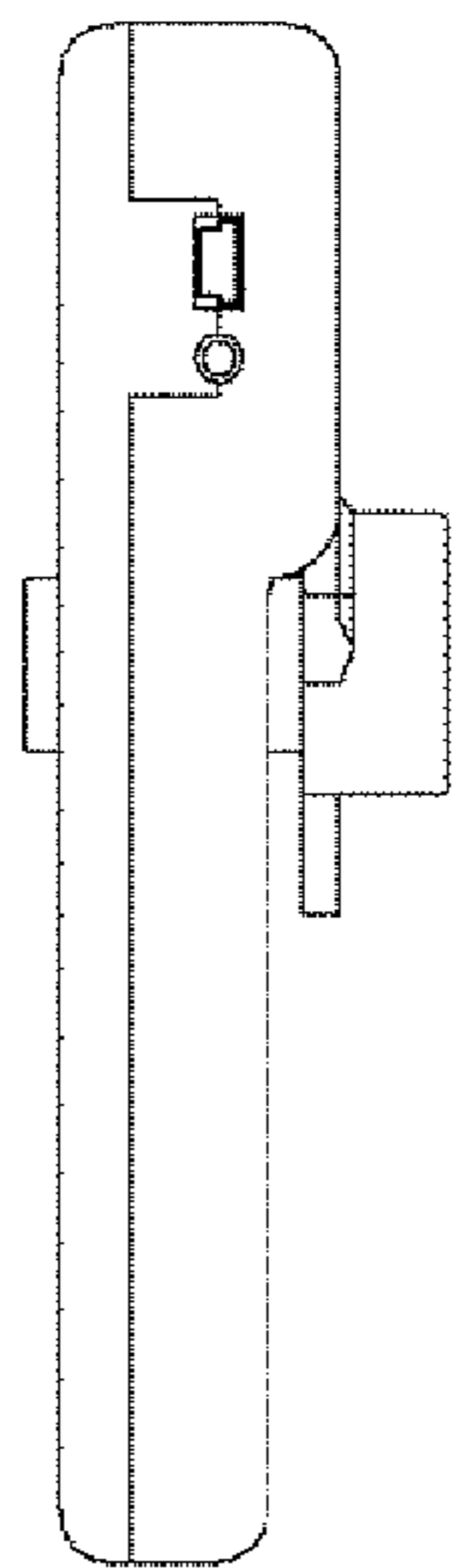


FIG. 5

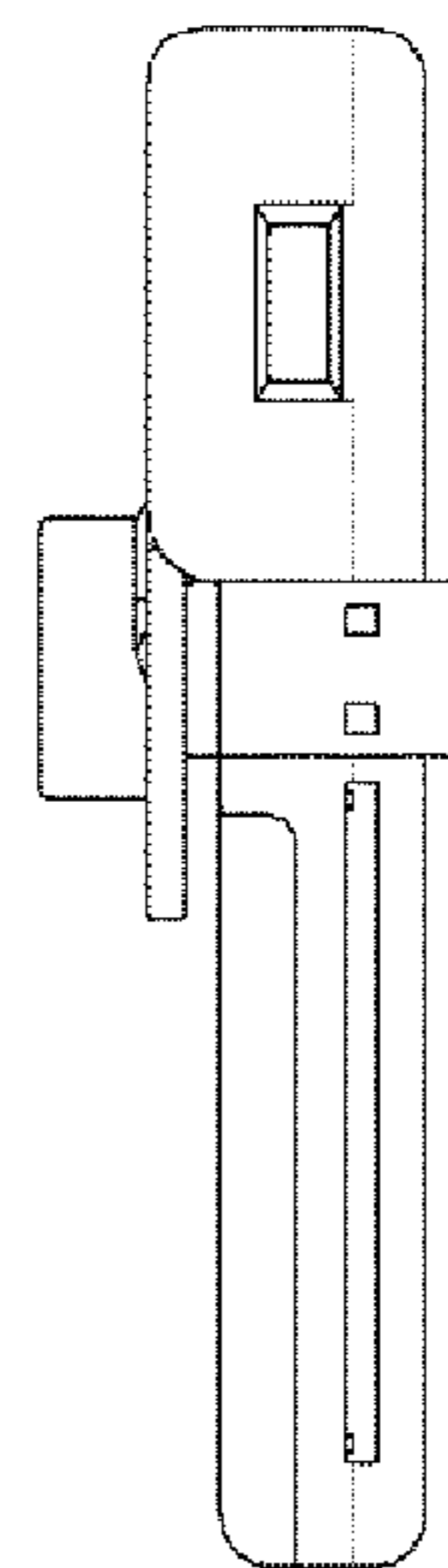


FIG. 6

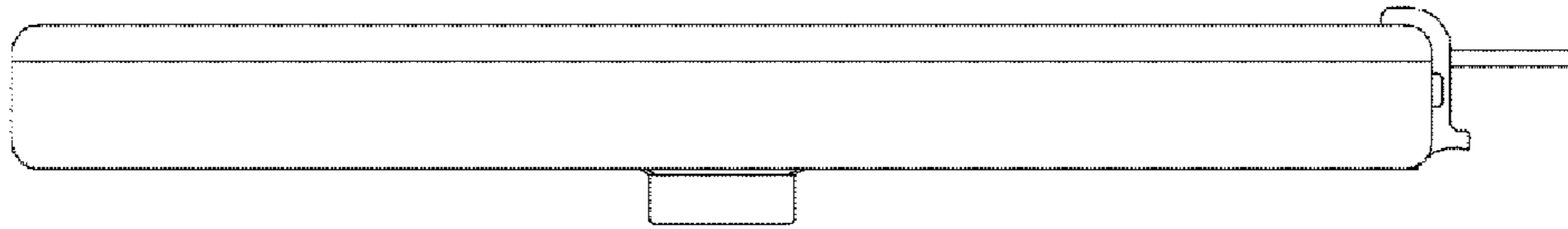


FIG. 7

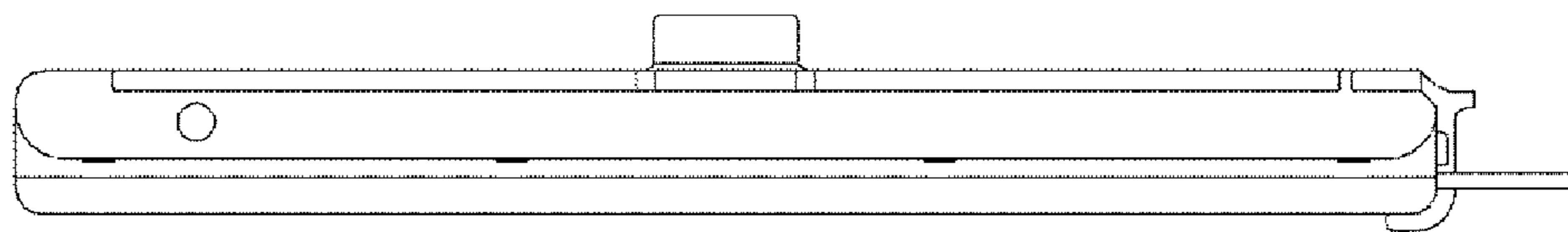


FIG. 8

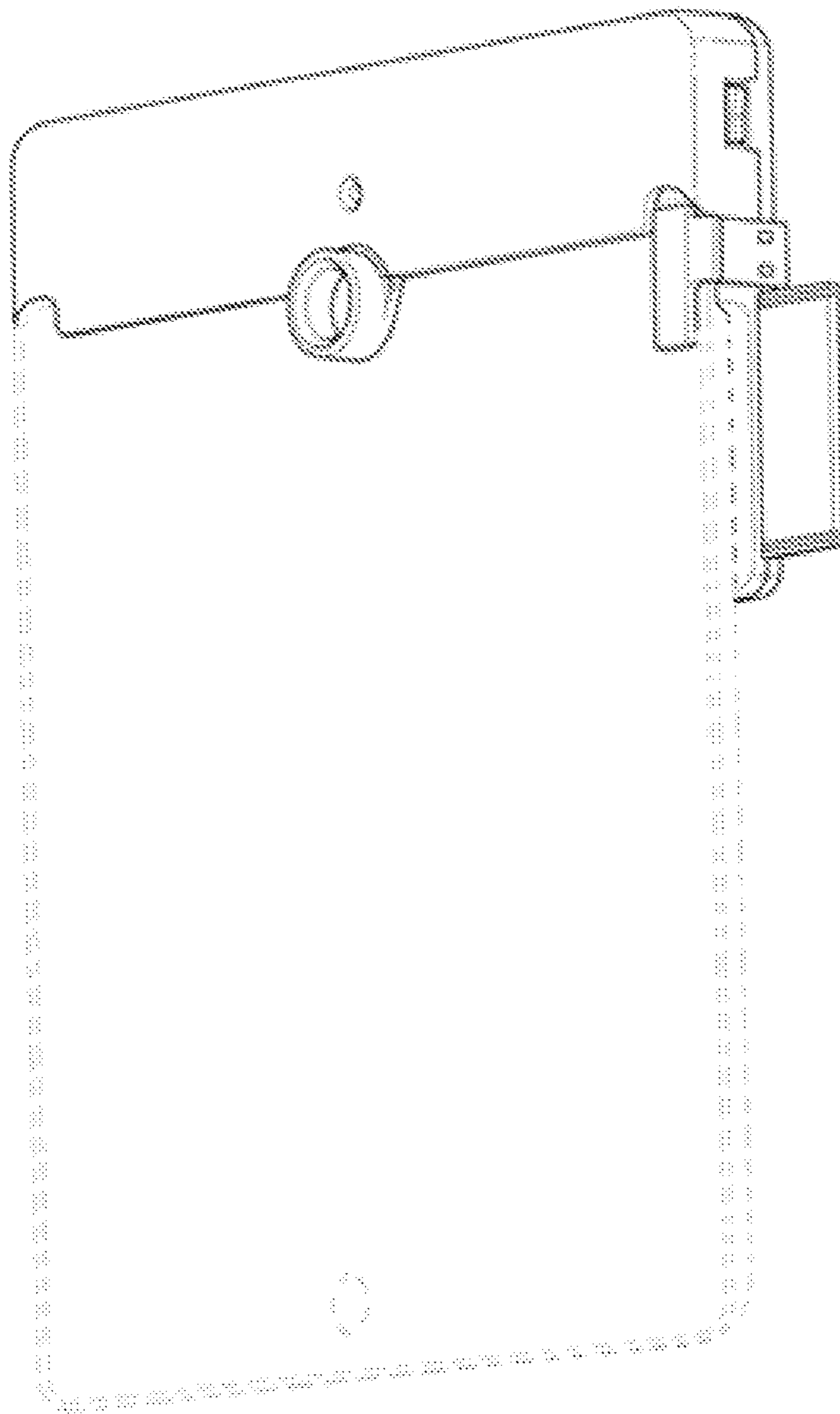


FIG. 9

