



US00D688371S

(12) **United States Design Patent**
Johnson et al.

(10) **Patent No.:** **US D688,371 S**

(45) **Date of Patent:** **** Aug. 20, 2013**

(54) **FRONT WAISTBAND OF A DIAPER**

(75) Inventors: **Elizabeth Johnson**, Lebanon, OH (US);
Thomas Studer, Burlington, KY (US);
Datina Hill Diego, Cincinnati, OH (US)

(73) Assignee: **The Procter & Gamble Company**,
Cincinnati, OH (US)

(**) Term: **14 Years**

(21) Appl. No.: **29/363,390**

(22) Filed: **Jun. 9, 2010**

Related U.S. Application Data

(63) Continuation of application No. 29/340,188, filed on Jul. 15, 2009, now Pat. No. Des. 619,703, which is a continuation of application No. 29/273,842, filed on Mar. 14, 2007, now Pat. No. Des. 599,013.

(30) **Foreign Application Priority Data**

Sep. 18, 2006 (EM) 000589288-0001

(51) **LOC (9) Cl.** **24-04**

(52) **U.S. Cl.**
USPC **D24/126**

(58) **Field of Classification Search**
USPC D24/126, 124; 604/358, 361, 362,
604/365, 366, 385.1, 385.2, 386, 389, 390,
604/391, 393, 394, 396

See application file for complete search history.

(56) **References Cited**

U.S. PATENT DOCUMENTS

D155,737 S 10/1949 Ryan
D343,681 S 1/1994 Hull
D376,896 S 12/1996 O'Rorke
D377,980 S 2/1997 Slingland
D379,226 S 5/1997 Kaczmarzyk et al.

D422,698 S * 4/2000 Witsken D24/126
D434,913 S 12/2000 Schmidt et al.
D436,400 S 1/2001 Kiecker
D444,876 S * 7/2001 Oberstadt D24/126
D444,877 S * 7/2001 Oberstadt D24/126
D445,897 S * 7/2001 Oberstadt D24/126
D445,898 S * 7/2001 Malchow et al. D24/126
D446,302 S * 8/2001 Blenke et al. D24/126
D446,303 S * 8/2001 Glaug et al. D24/126
D557,903 S 12/2007 Harkenrider
D566,266 S * 4/2008 Johnson et al. D24/126
D567,371 S * 4/2008 Diego D24/126
D572,489 S 7/2008 Ko et al.
D577,817 S * 9/2008 Rinaldi et al. D24/126
D578,213 S * 10/2008 Rinaldi et al. D24/126
D578,641 S * 10/2008 Rinaldi et al. D24/126
D579,560 S * 10/2008 Rinaldi et al. D24/126
D580,050 S * 11/2008 Rinaldi et al. D24/126
D584,404 S * 1/2009 Johnson et al. D24/126
D594,554 S * 6/2009 Rinaldi et al. D24/126
D594,980 S * 6/2009 Rinaldi et al. D24/126
D597,665 S * 8/2009 Rinaldi et al. D24/126

(Continued)

Primary Examiner — T. Chase Nelson

Assistant Examiner — Michelle E Wilson

(74) *Attorney, Agent, or Firm* — Kathleen Y. Carter; John G. Powell

(57) **CLAIM**

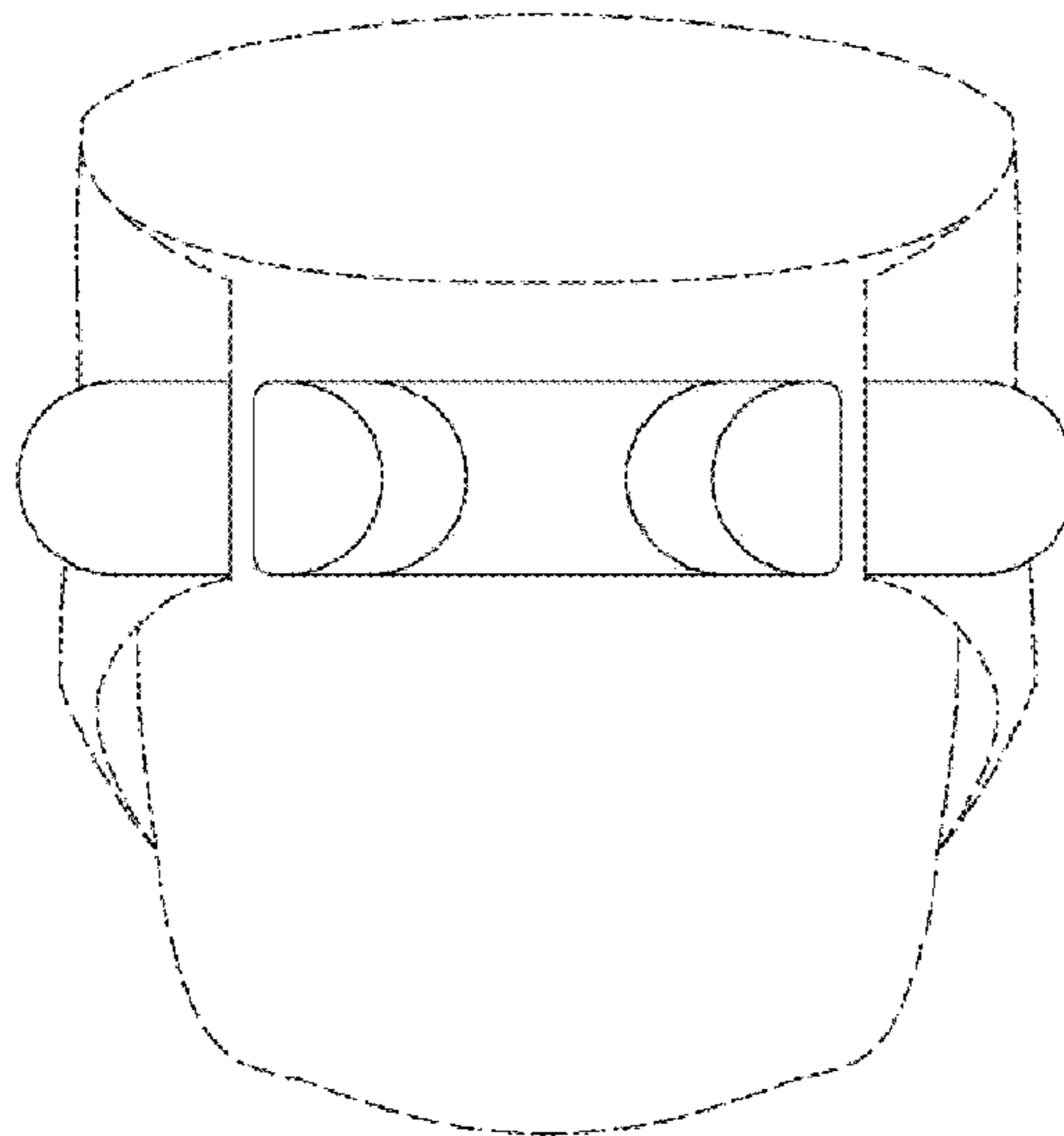
The ornamental design for a front waistband of a diaper, as shown and described.

DESCRIPTION

The FIGURE is a plan view of a front waistband of a diaper embodying the new design. The claimed invention is depicted in plan and is therefore flat and has no contours. Any depth, sides, and reverse of the front waistband form no part of the claimed design.

The broken lines shown in the FIGURE are for illustrative purposes only and form no part of the claimed design.

1 Claim, 1 Drawing Sheet



US D688,371 S

Page 2

(56)

References Cited

D634,003 S * 3/2011 Norman et al. D24/126
2008/0004585 A1* 1/2008 McCusker et al. 604/385.01

U.S. PATENT DOCUMENTS

D601,352 S * 10/2009 Skinner et al. D5/60
D624,179 S * 9/2010 Baquer Molas et al. D24/126 * cited by examiner

