



US00D688370S

(12) **United States Design Patent**  
**Desai**

(10) **Patent No.:** **US D688,370 S**

(45) **Date of Patent:** **\*\* Aug. 20, 2013**

(54) **COLLECTOR FOR URINE OR OTHER FLUIDS**

(75) Inventor: **Akhil Rajendra Desai**, Woodmead (ZA)

(73) Assignee: **Gandhi & Company (PTY) Limited**,  
Kwa Zulu Natal (ZA)

(\*\*) Term: **14 Years**

(21) Appl. No.: **29/414,414**

(22) Filed: **Feb. 28, 2012**

(51) **LOC (9) Cl.** ..... **24-04**

(52) **U.S. Cl.**  
USPC ..... **D24/122**

(58) **Field of Classification Search**  
USPC ..... D24/121-123, 117, 224; D23/276,  
D23/295, 302, 274, 309, 200; 4/450-460,  
4/144.1-144.4, DIG. 5; 600/573, 574;  
D27/125; 604/329, 317, 318, 334  
See application file for complete search history.

(56) **References Cited**

U.S. PATENT DOCUMENTS

3,625,654 A \* 12/1971 Van Duyne ..... 600/574  
D340,768 S \* 10/1993 Jabour ..... D24/122  
D342,784 S \* 12/1993 Passiak et al. .... D24/123  
5,342,330 A \* 8/1994 Kane et al. .... 600/574

5,422,076 A \* 6/1995 Jones ..... 600/574  
D370,975 S \* 6/1996 Mohr ..... D24/122  
5,842,233 A \* 12/1998 Broden ..... 4/144.1  
D478,166 S \* 8/2003 Nilstein ..... D24/122  
D567,368 S \* 4/2008 Guptill ..... D24/122  
D579,557 S \* 10/2008 Washington ..... D24/122  
D580,049 S \* 11/2008 Tanguay ..... D24/122  
D610,700 S \* 2/2010 Khoury ..... D24/121  
D639,933 S \* 6/2011 Tanguay ..... D24/122

\* cited by examiner

*Primary Examiner* — David Muller

(74) *Attorney, Agent, or Firm* — Young & Thompson

(57) **CLAIM**

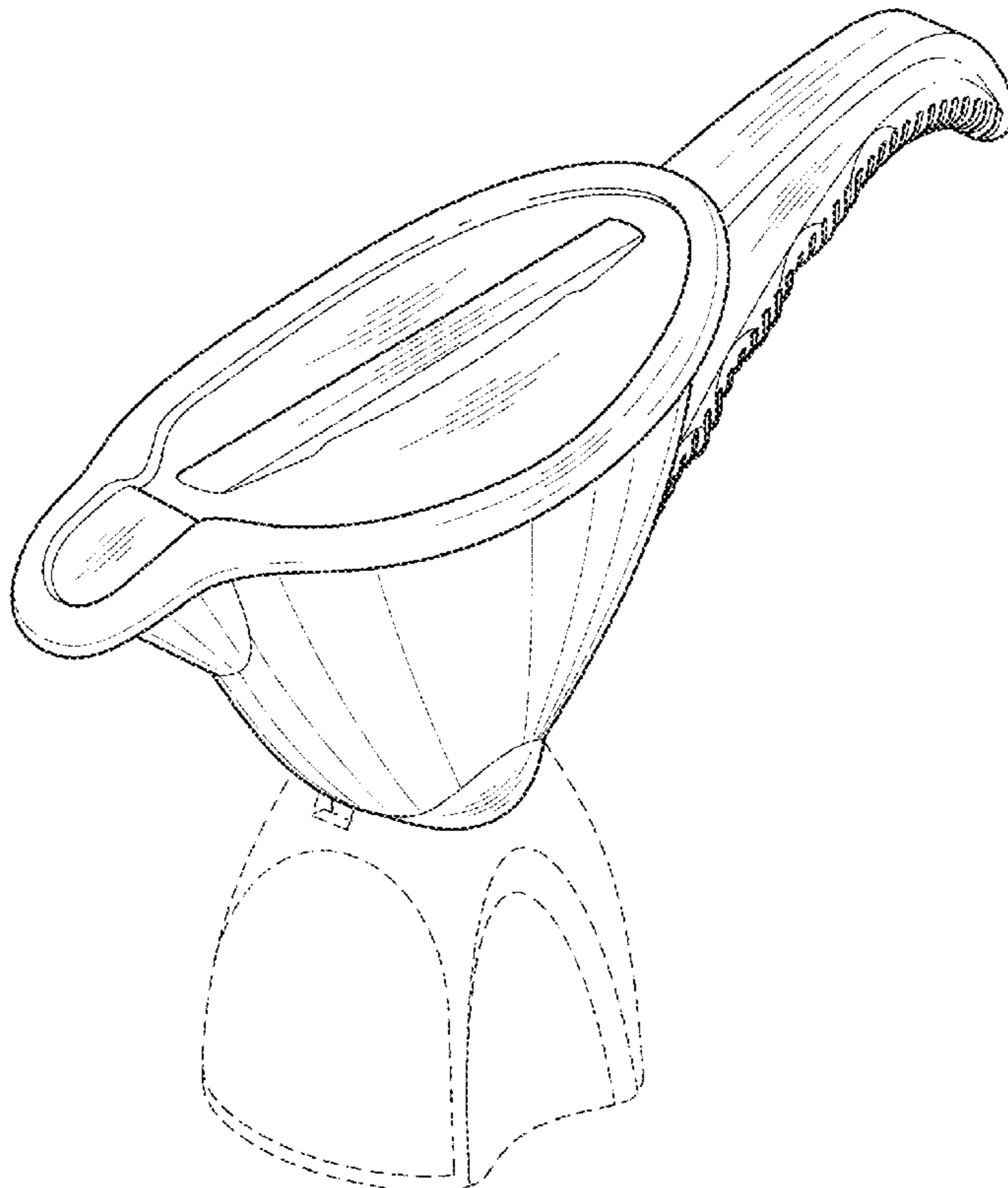
The ornamental design for collector for urine or other fluids,  
as shown and described.

**DESCRIPTION**

FIG. 1 is a front, left side, and top perspective view of a collector for urine or other fluids showing the new design; FIG. 2 is a front elevation view thereof; FIG. 3 is a left side elevation view thereof; FIG. 4 is a top plan view thereof; FIG. 5 is a rear elevation view thereof; FIG. 6 is a right side elevation view thereof; and, FIG. 7 is a bottom plan view thereof.

The broken line showing is for environmental purposes only and forms no part of the claimed design.

**1 Claim, 7 Drawing Sheets**



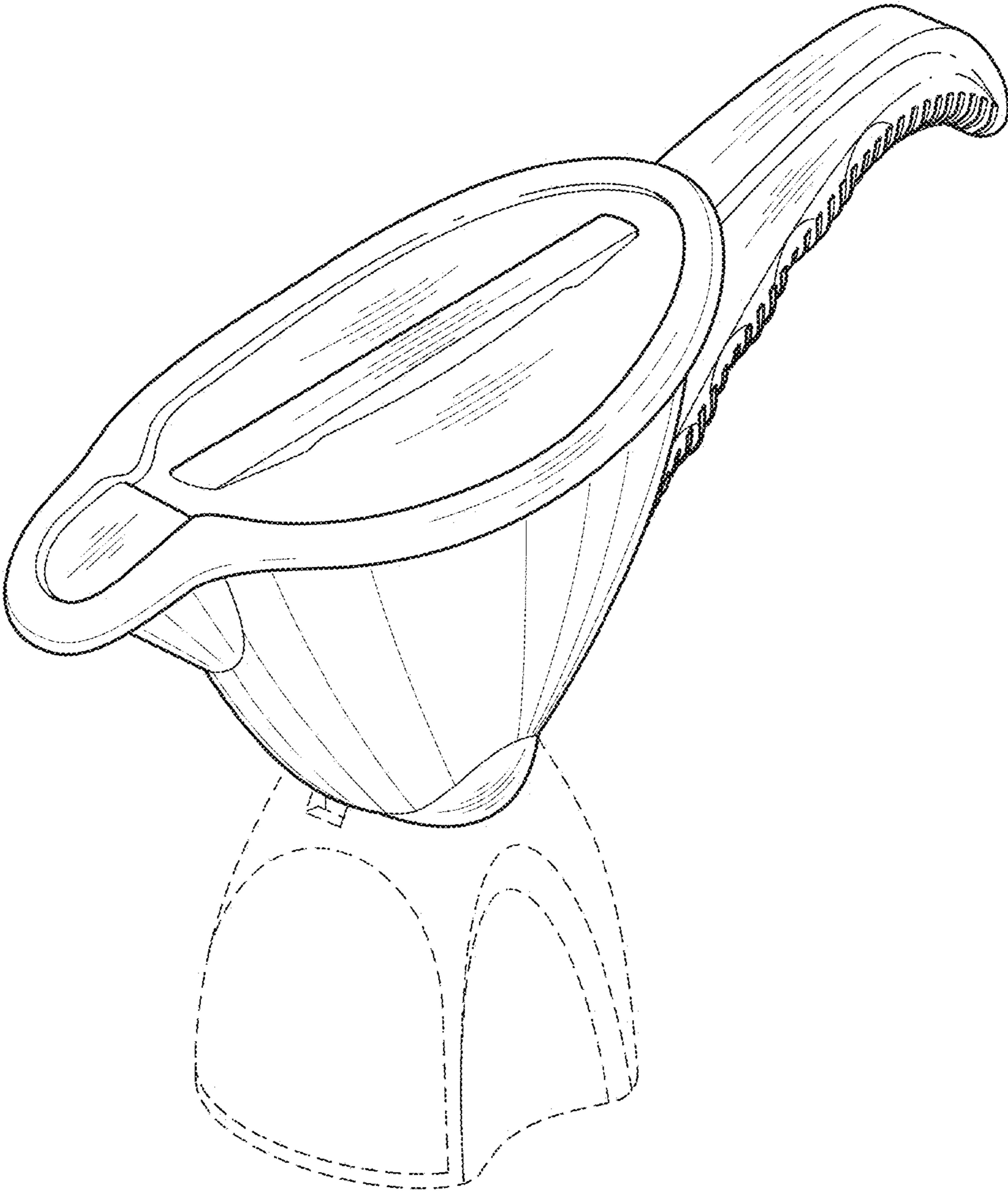


FIGURE 1

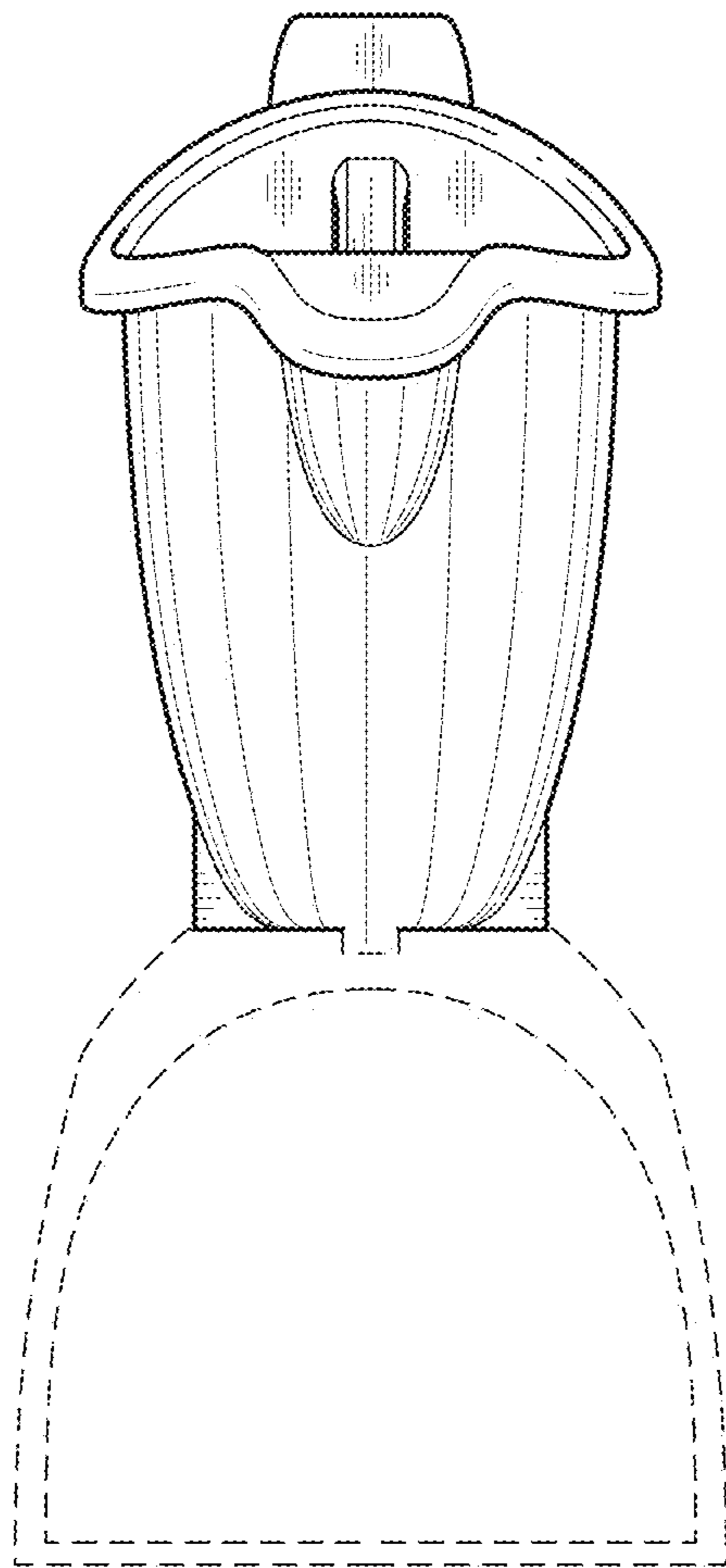


FIGURE 2

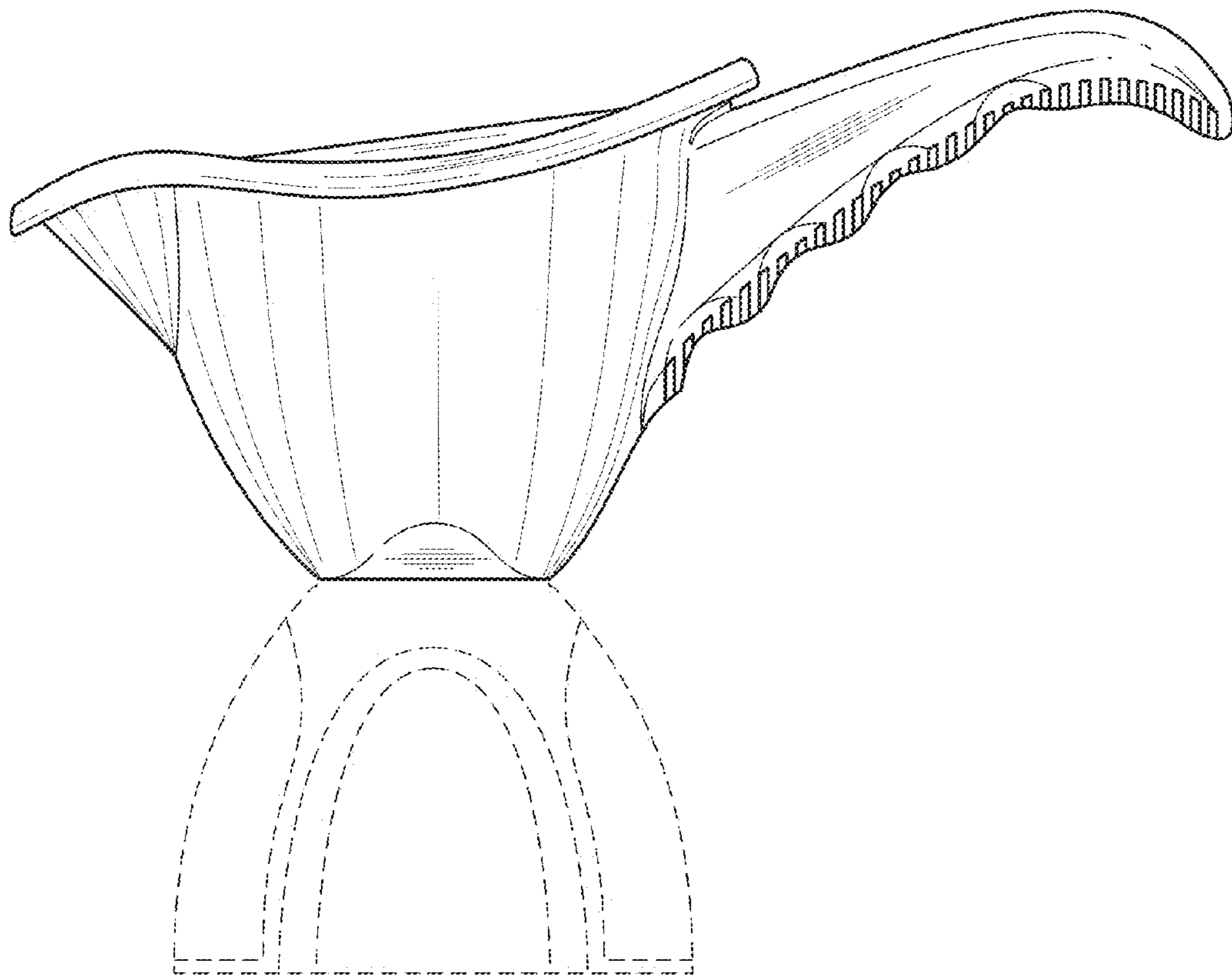


FIGURE 3

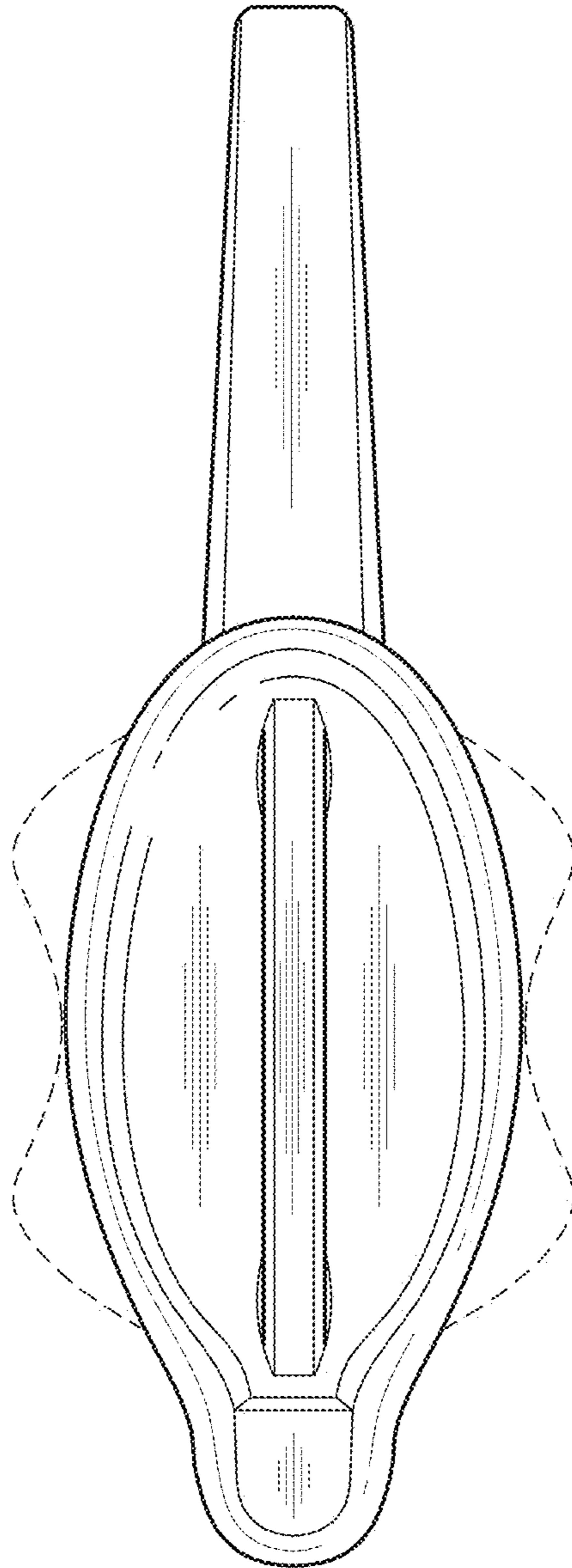


FIGURE 4

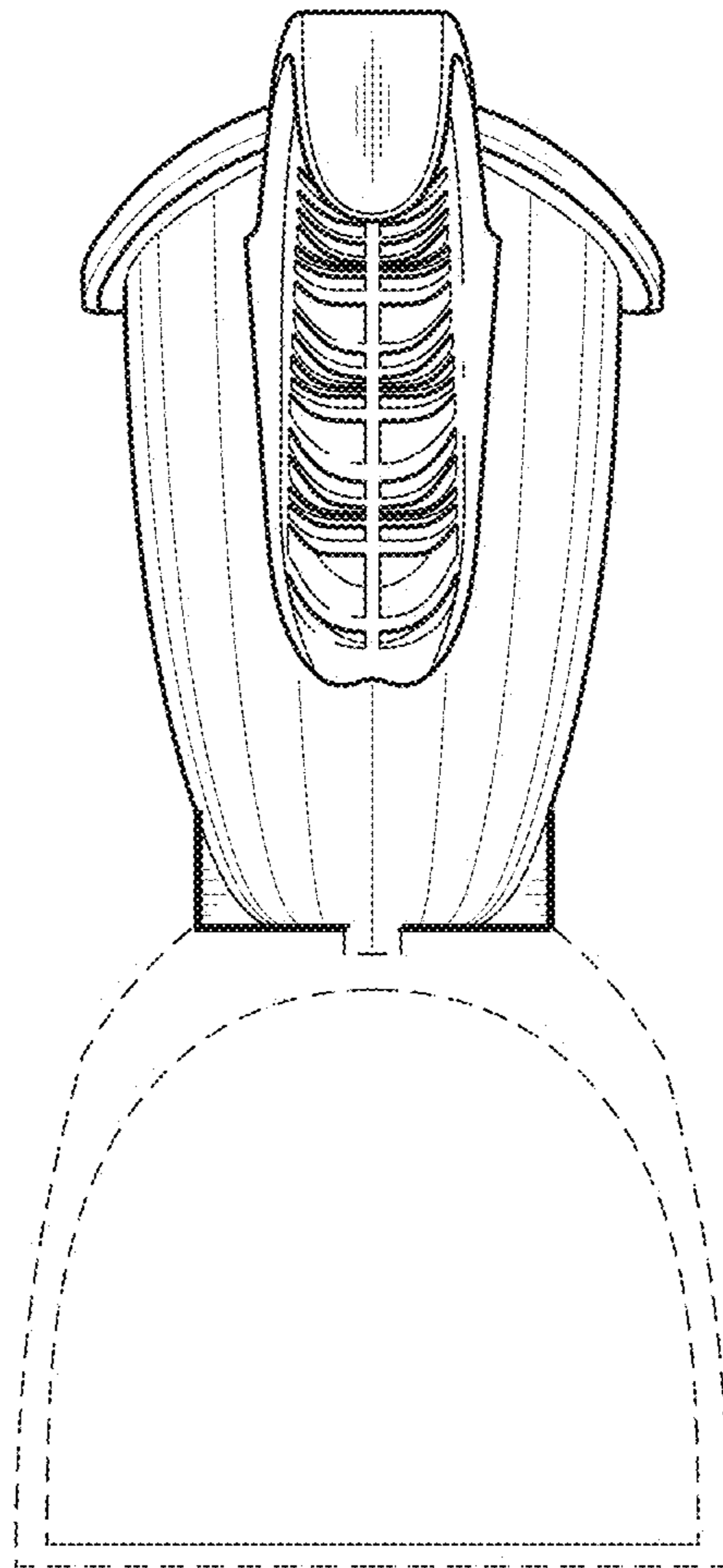


FIGURE 5

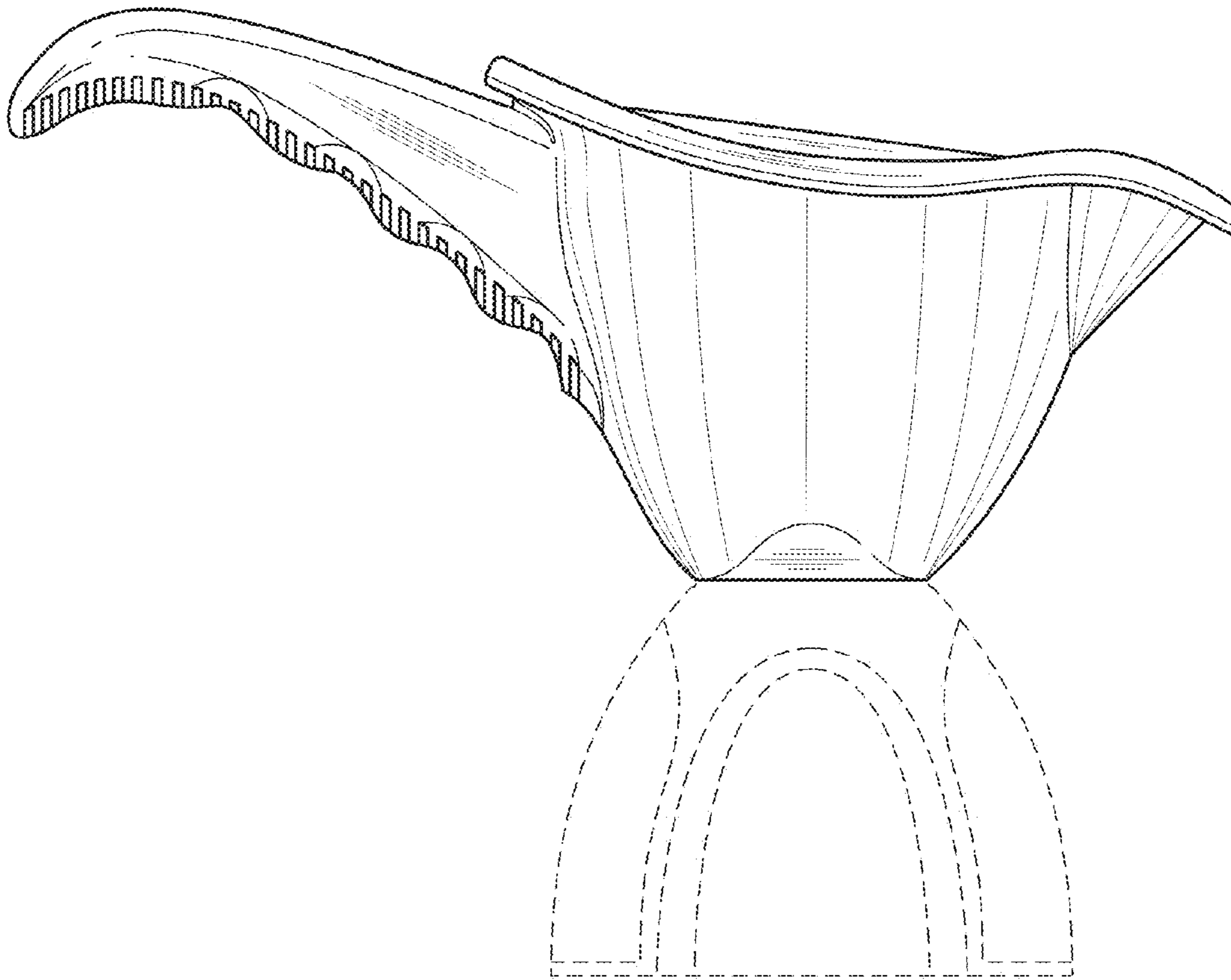


FIGURE 6

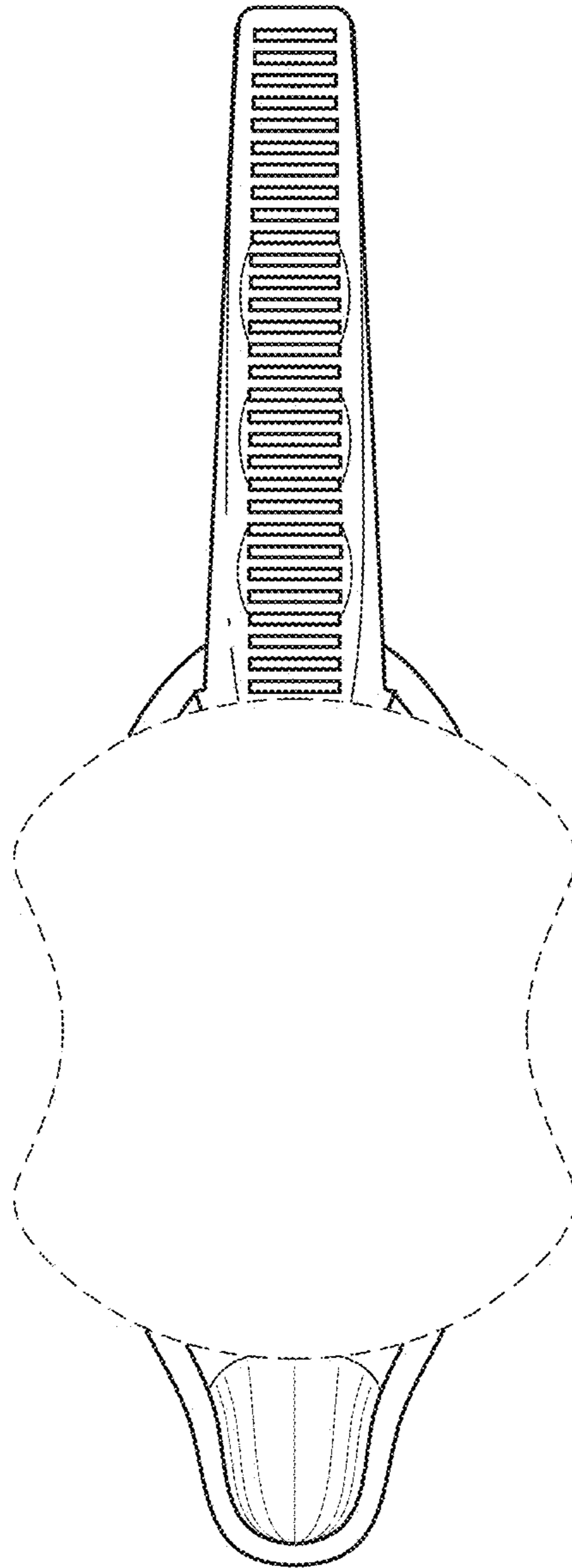


FIGURE 7