



US00D688369S

(12) **United States Design Patent**  
**Hetland et al.**

(10) **Patent No.:** **US D688,369 S**

(45) **Date of Patent:** **\*\* Aug. 20, 2013**

(54) **COMPACT SUCTION UNIT**

(75) Inventors: **Jens Olav Hetland**, Bryne (NO); **Ole Terge Østrem**, Stavanger (NO)

(73) Assignee: **Laerdal Medical AS**, Stavanger (NO)

(\*\*) Term: **14 Years**

(21) Appl. No.: **29/398,622**

(22) Filed: **Aug. 2, 2011**

(30) **Foreign Application Priority Data**

Feb. 3, 2011 (NO) ..... 20110067

(51) **LOC (9) Cl.** ..... **29-02**

(52) **U.S. Cl.**  
USPC ..... **D24/110**

(58) **Field of Classification Search**  
USPC ..... D24/108, 111, 110; 601/6, 7; 604/131,  
604/151, 313, 317, 319; D15/7, 8, 9, 9.1,  
D15/9.2; 128/200.11, 200.14, 200.16, 200.18,  
128/200.19, 200.21, 200.23, 200.24, 200.26,  
128/201.26, 203.22, 204.14, 205.18, 205.19,  
128/207.14, 207.18

See application file for complete search history.

(56) **References Cited**

**U.S. PATENT DOCUMENTS**

4,294,407 A \* 10/1981 Reichl et al. .... 239/102.2  
D409,206 S \* 5/1999 Wang ..... D15/9  
D423,665 S \* 4/2000 Herbst et al. .... D24/111  
D492,326 S \* 6/2004 Hsiao ..... D15/9  
6,889,687 B1 \* 5/2005 Olsson ..... 128/200.14  
7,022,113 B2 \* 4/2006 Lockwood et al. .... 604/313  
D612,484 S \* 3/2010 Yodfat et al. .... D24/111  
D641,765 S \* 7/2011 Vieira ..... D15/9  
D657,383 S \* 4/2012 Wang ..... D15/7

2002/0129812 A1 \* 9/2002 Litherland et al. .... 128/200.14  
2006/0037612 A1 \* 2/2006 Herder et al. .... 128/203.15  
2006/0137682 A1 \* 6/2006 Tseng ..... 128/200.14  
2006/0243274 A1 \* 11/2006 Lieberman et al. .... 128/200.14  
2009/0157019 A1 \* 6/2009 Koch et al. .... 604/319  
2011/0106028 A1 \* 5/2011 Giezendanner et al. .... 604/319

**OTHER PUBLICATIONS**

Laerdal Medical, "Laerdal(R) Compact Suction Unit 3: 300ml," Brochure, copyright 2008.

Laerdal Medical, "Laerdal(R) Compact Suction Unit 3: 800ml," Brochure, copyright 2008.

Laerdal Medical, "Laerdal Compact Suction Unit(R) 4," Brochure, copyright 2012.

\* cited by examiner

*Primary Examiner* — Ian Simmons

*Assistant Examiner* — Shannon Weekley

(74) *Attorney, Agent, or Firm* — Wong, Cabello, Lutsch, Rutherford & Brucculeri, LLP

(57) **CLAIM**

The ornamental design for a compact suction unit, as shown and described.

**DESCRIPTION**

FIG. 1 is a right side view of a compact suction unit showing our new design.

FIG. 2 is a top view thereof.

FIG. 3 is a left side view thereof.

FIG. 4 is a bottom view thereof.

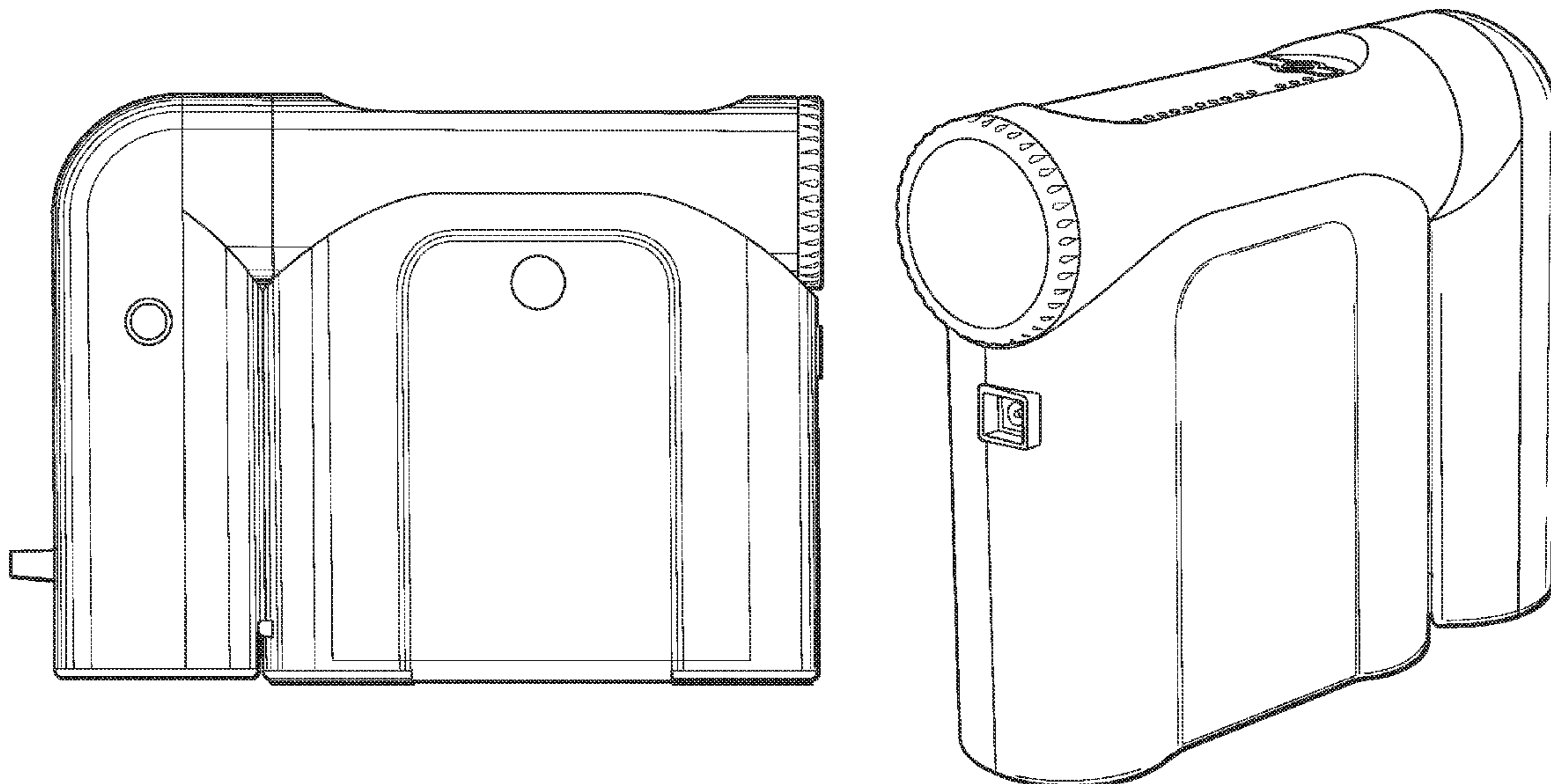
FIG. 5 is a front view thereof.

FIG. 6 is a back view thereof.

FIG. 7 is a first perspective view thereof showing the front, left, and top; and,

FIG. 8 is a second perspective view thereof showing the back, left, and top.

**1 Claim, 5 Drawing Sheets**



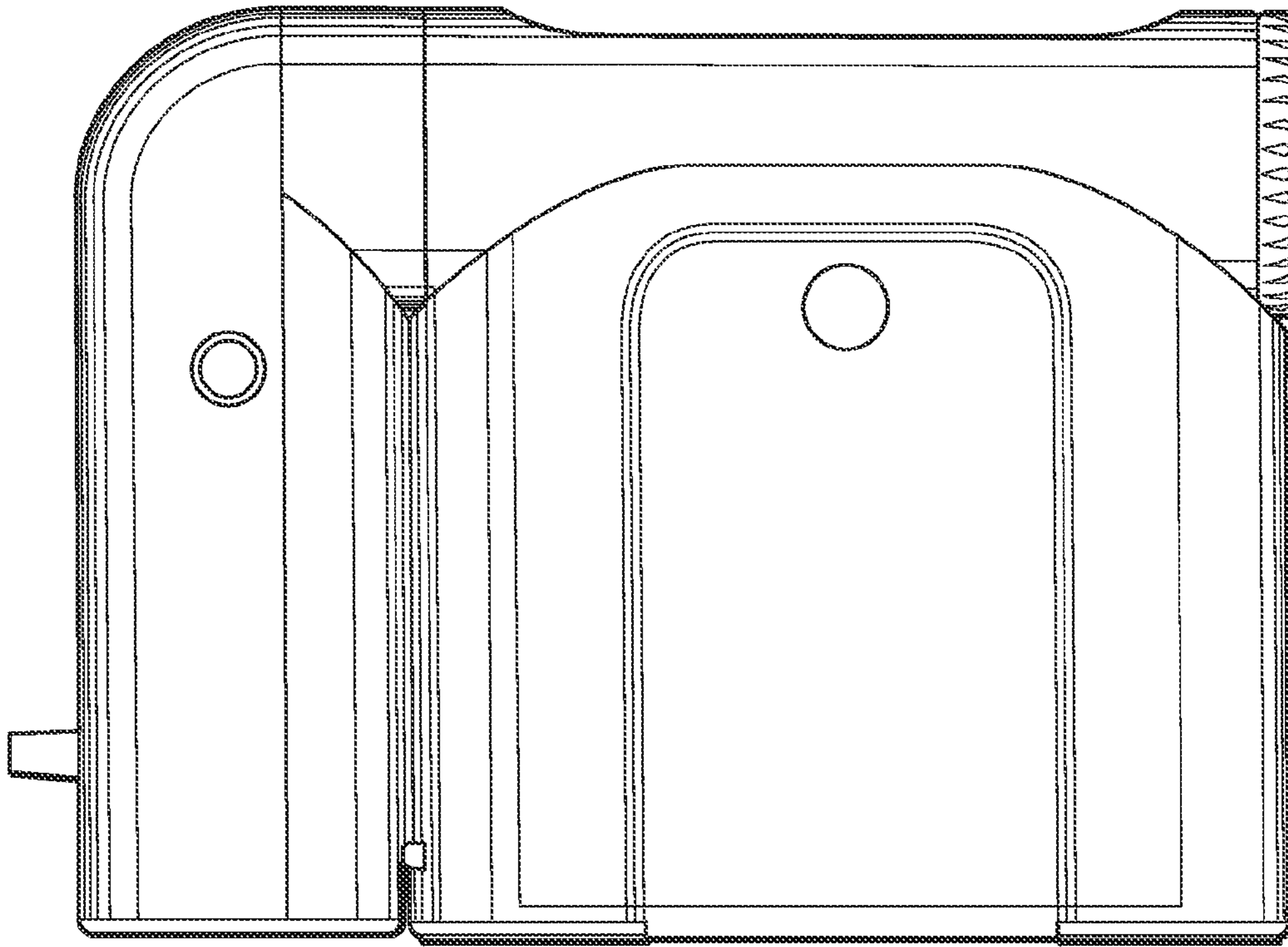


FIG. 1

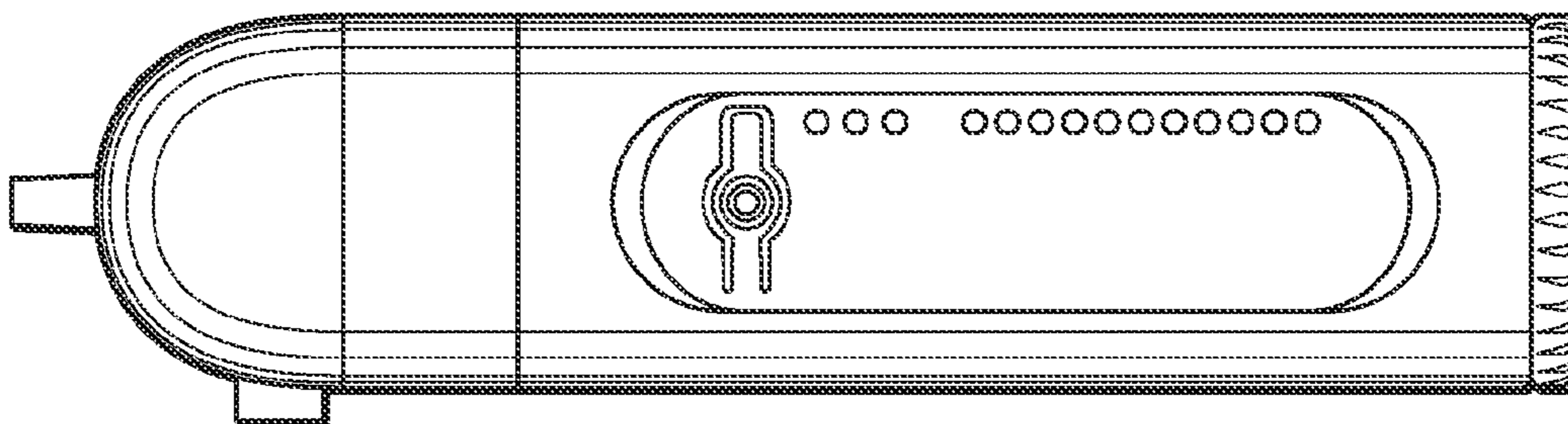


FIG. 2

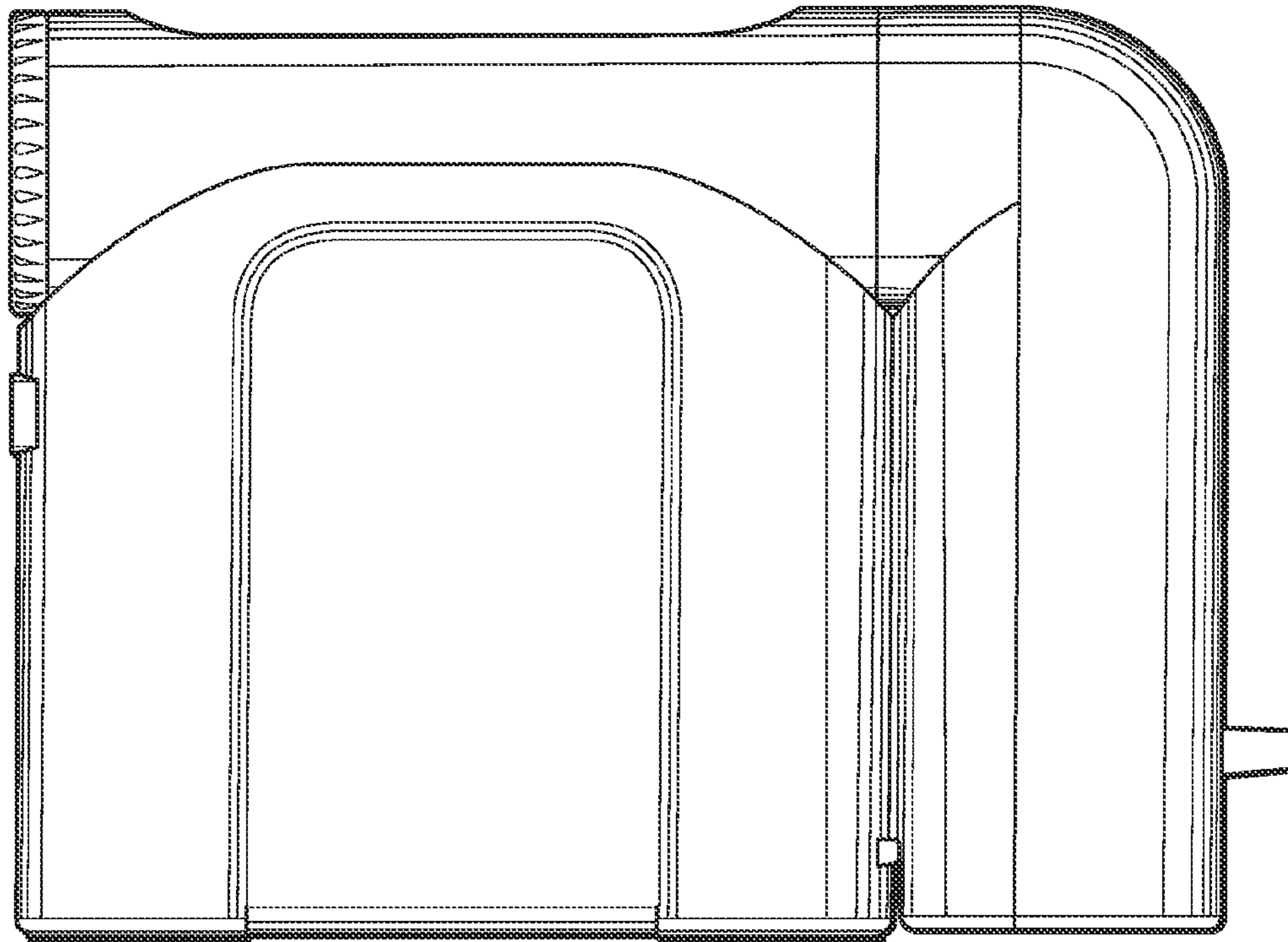


FIG. 3

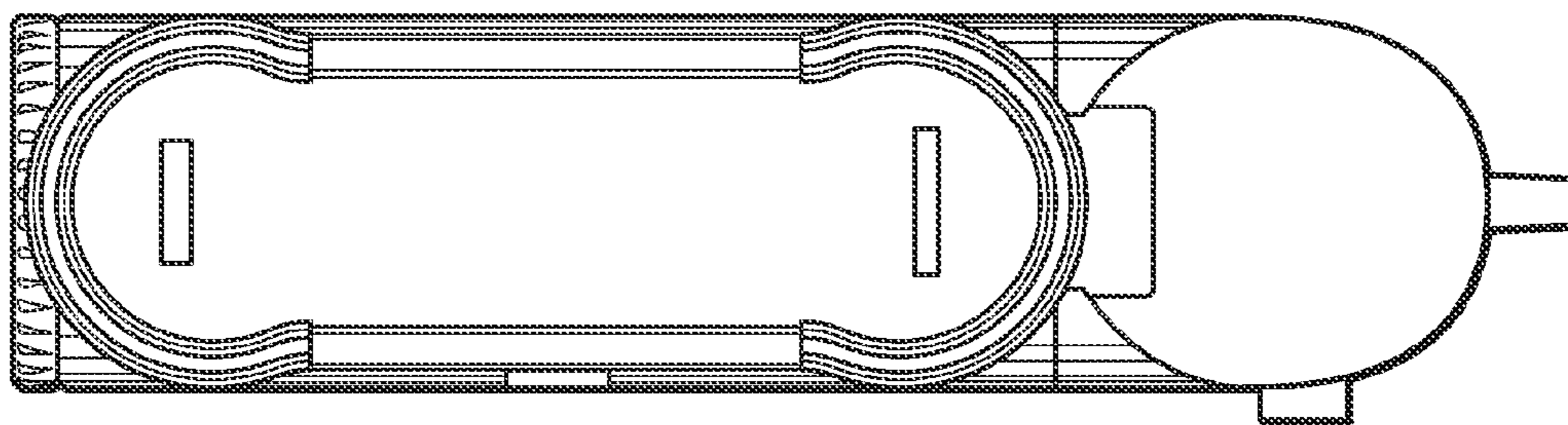


FIG. 4

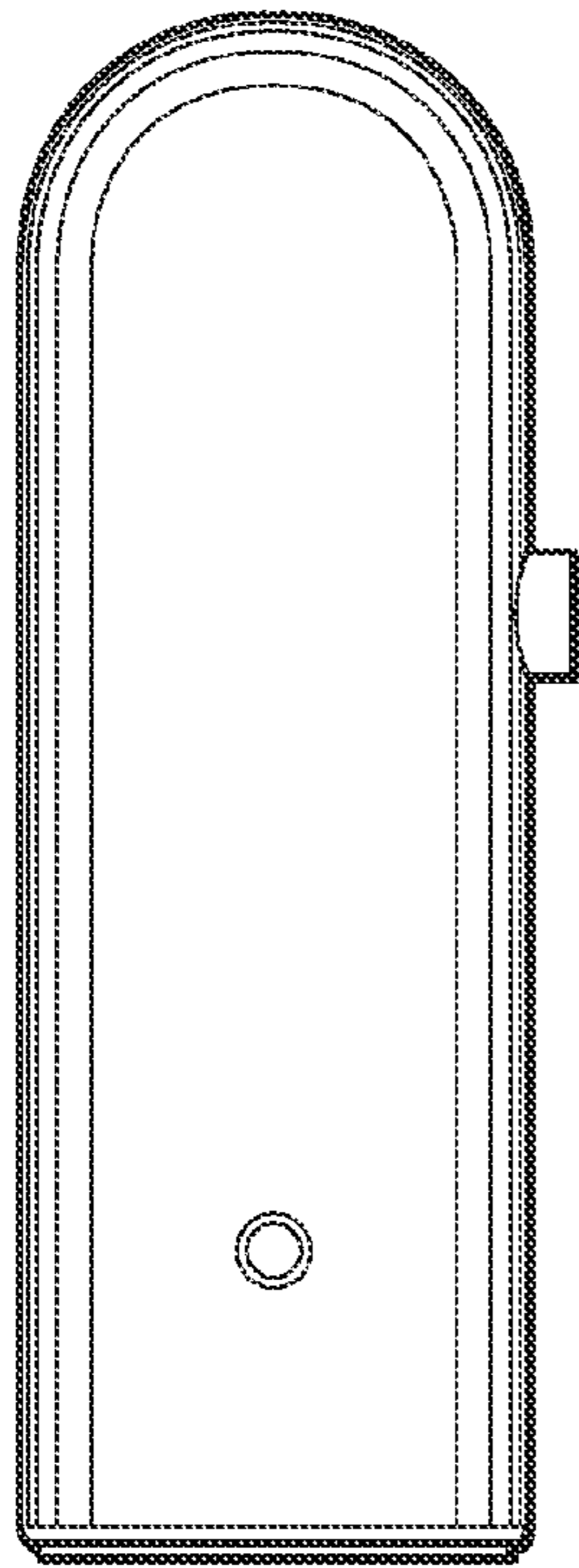


FIG. 5

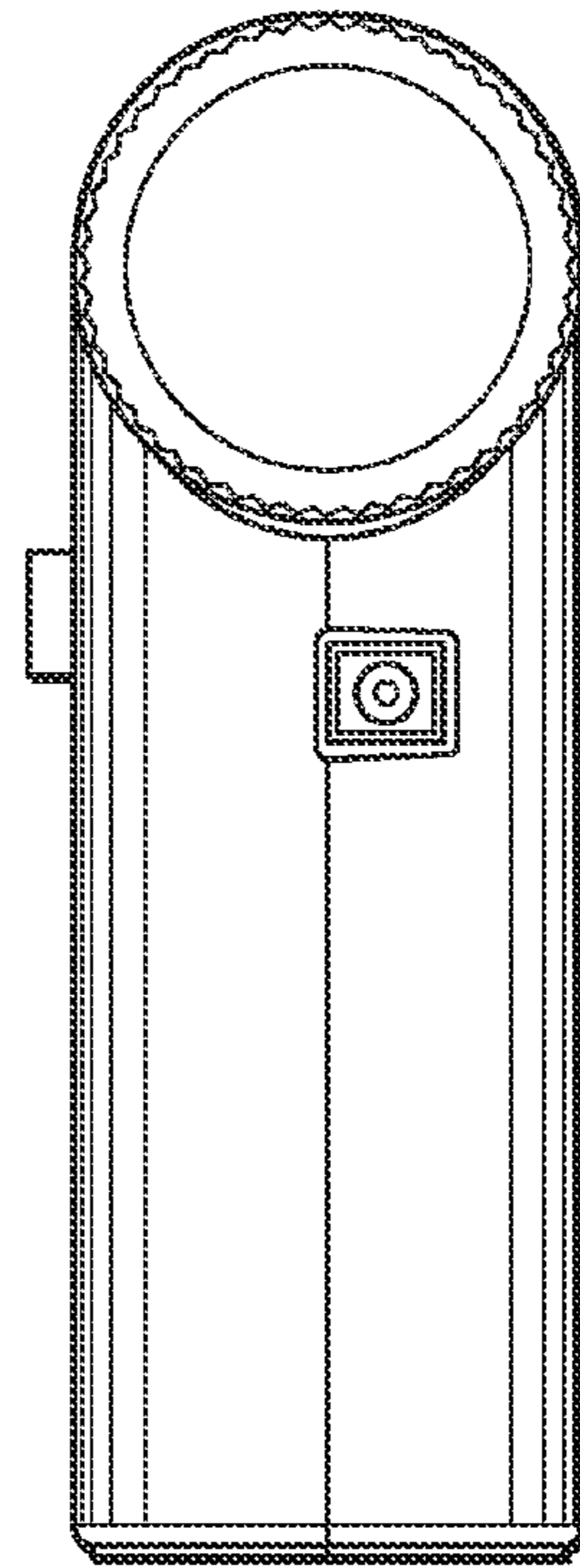
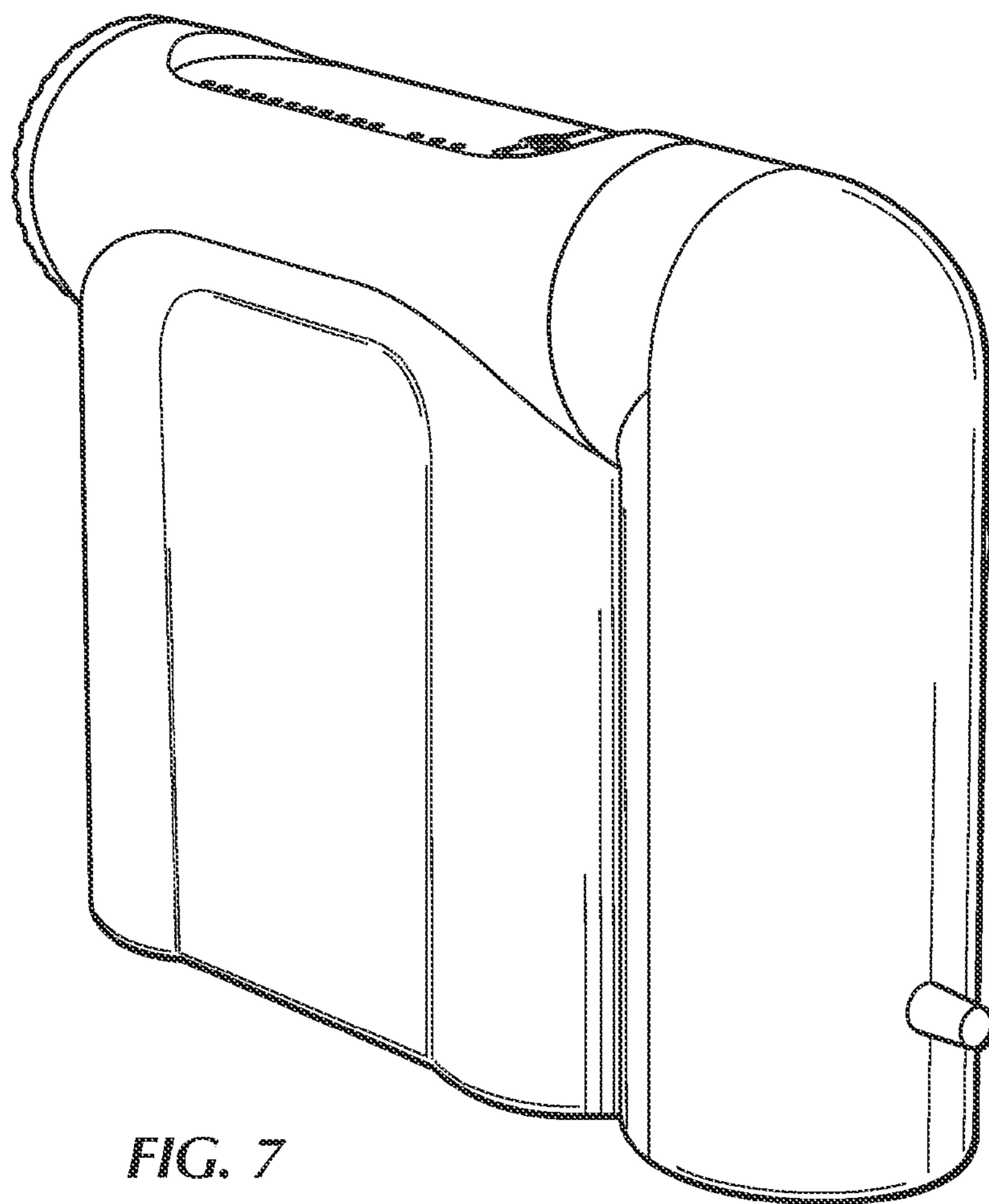


FIG. 6



**FIG. 7**

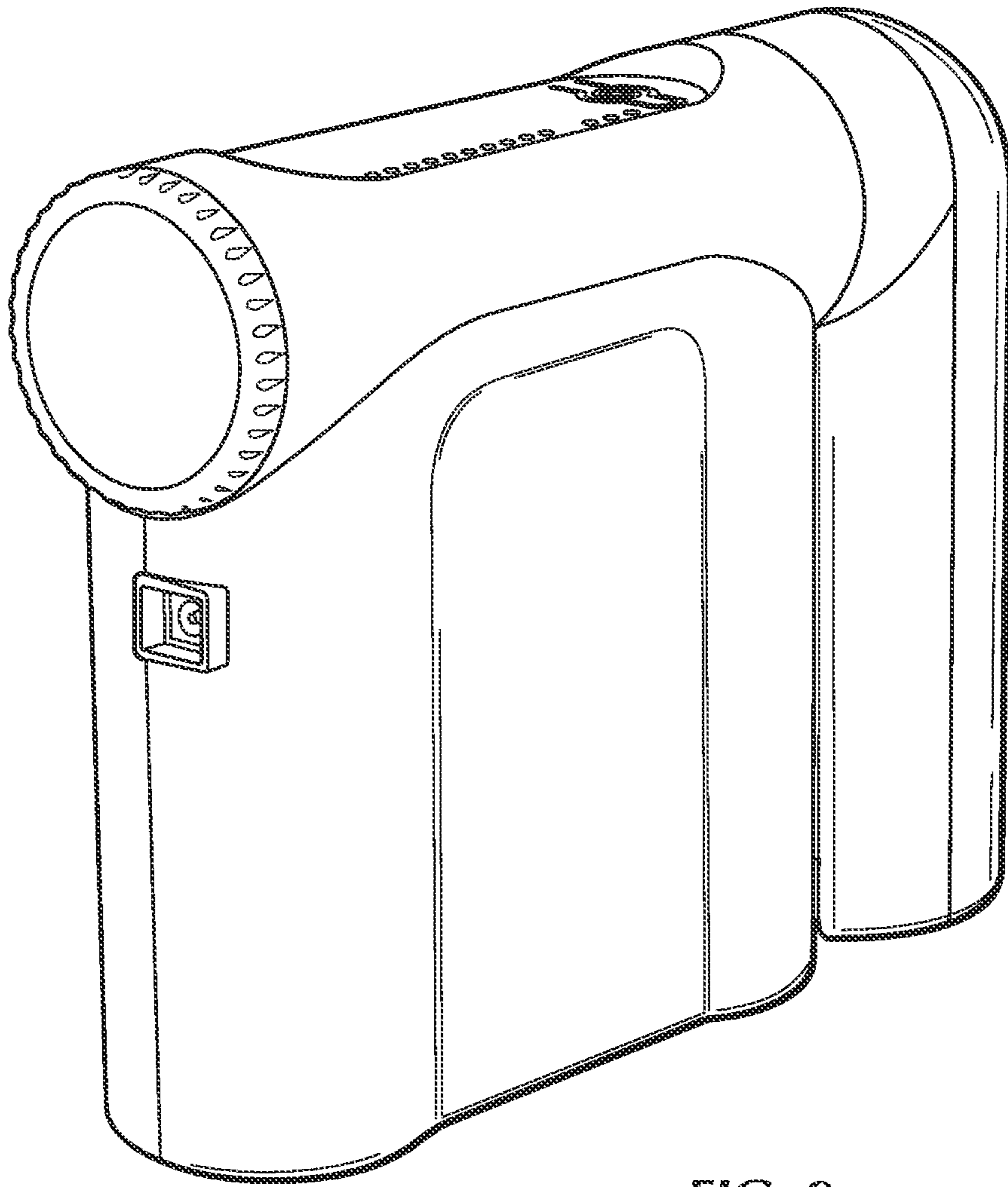


FIG. 8