



US00D688368S

(12) **United States Design Patent**  
**Ediger et al.**

(10) **Patent No.:** **US D688,368 S**

(45) **Date of Patent:** **\*\* Aug. 20, 2013**

(54) **AIR CIRCULATOR**

(71) Applicant: **Vornado Air, LLC**, Andover, KS (US)

(72) Inventors: **Glen W. Ediger**, North Newton, KS (US); **Gary P. Israel**, Andover, KS (US)

(73) Assignee: **Vornado Air, LLC**, Andover, KS (US)

(\*\*) Term: **14 Years**

(21) Appl. No.: **29/438,474**

(22) Filed: **Nov. 30, 2012**

(51) **LOC (9) Cl.** ..... **23-04**

(52) **U.S. Cl.**  
USPC ..... **D23/412; D23/382**

(58) **Field of Classification Search**  
USPC ..... D23/317, 330, 332–342, 351–360, D23/363, 364, 370–379, 381–383, 385–388, D23/393, 394, 399, 411–414; 454/237–253, 454/186, 228–236, 192; 52/302.1; 417/423.1, 417/423.14; 415/182.1, 200, 90; 416/244 R, 416/246, 247 R; D6/309; D21/430, 436, D21/442, 447, 450, 453, 458; 5/421, 423  
See application file for complete search history.

(56) **References Cited**

**U.S. PATENT DOCUMENTS**

D313,468 S	*	1/1991	Chaney	.....	D23/412
D398,983 S	*	9/1998	Keller et al.	.....	D23/382
D421,114 S	*	2/2000	Lozzio et al.	.....	D23/382
D427,674 S	*	7/2000	Moreno	.....	D23/412
D447,552 S	*	9/2001	Lee et al.	.....	D23/382
D451,190 S	*	11/2001	Chen et al.	.....	D23/412
D451,594 S	*	12/2001	Chen et al.	.....	D23/412

D451,595 S	*	12/2001	Chen et al.	.....	D23/412
D513,437 S	*	1/2006	Wilhelm	.....	D23/412
D539,402 S	*	3/2007	Blateri	.....	D23/336
D599,463 S	*	9/2009	Israel et al.	.....	D23/382
D645,952 S	*	9/2011	Peterson et al.	.....	D23/411
D645,953 S	*	9/2011	Peterson et al.	.....	D23/411

\* cited by examiner

*Primary Examiner* — George D Kirschbaum

*Assistant Examiner* — Janice Hallmark

(74) *Attorney, Agent, or Firm* — Advent, LLP

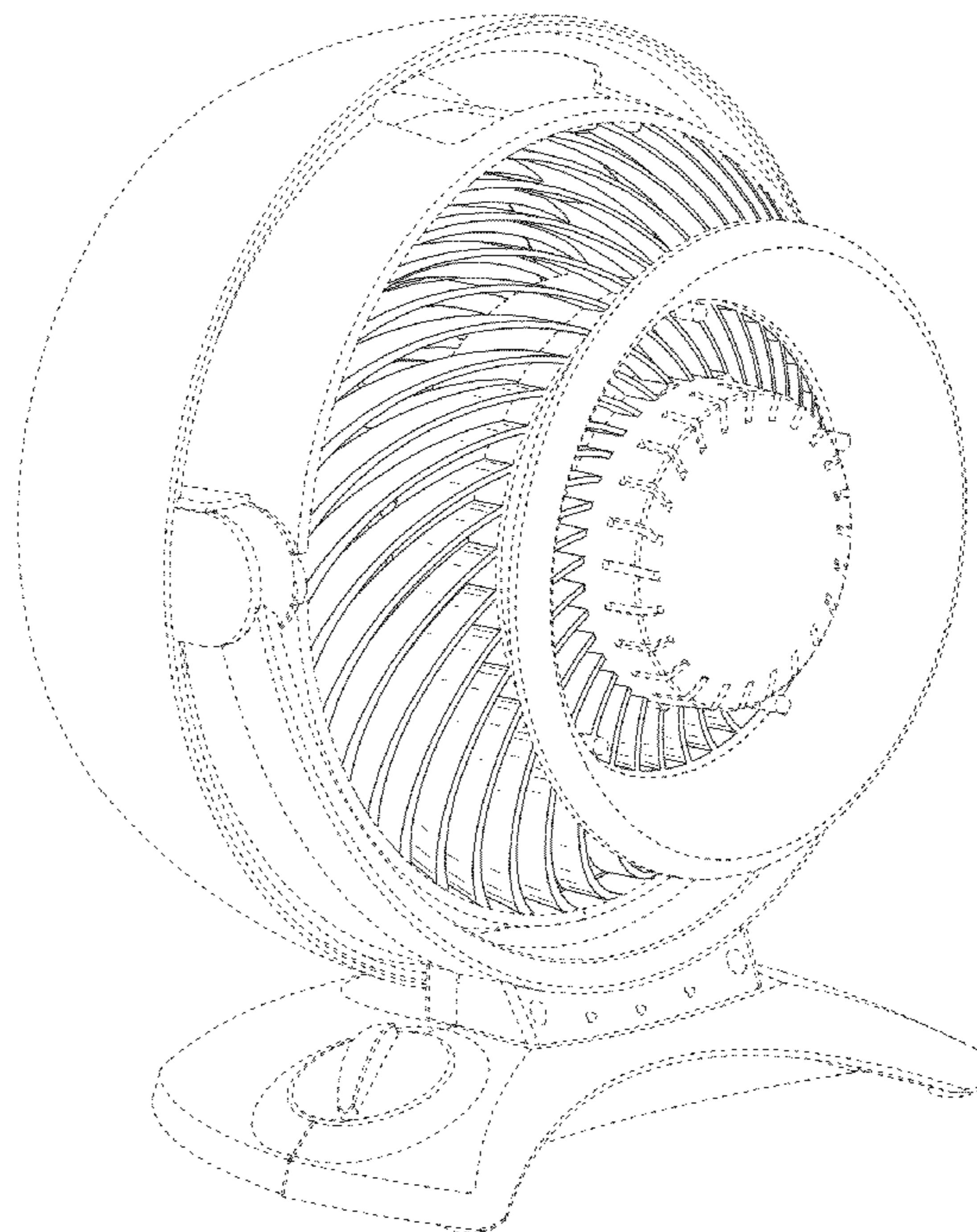
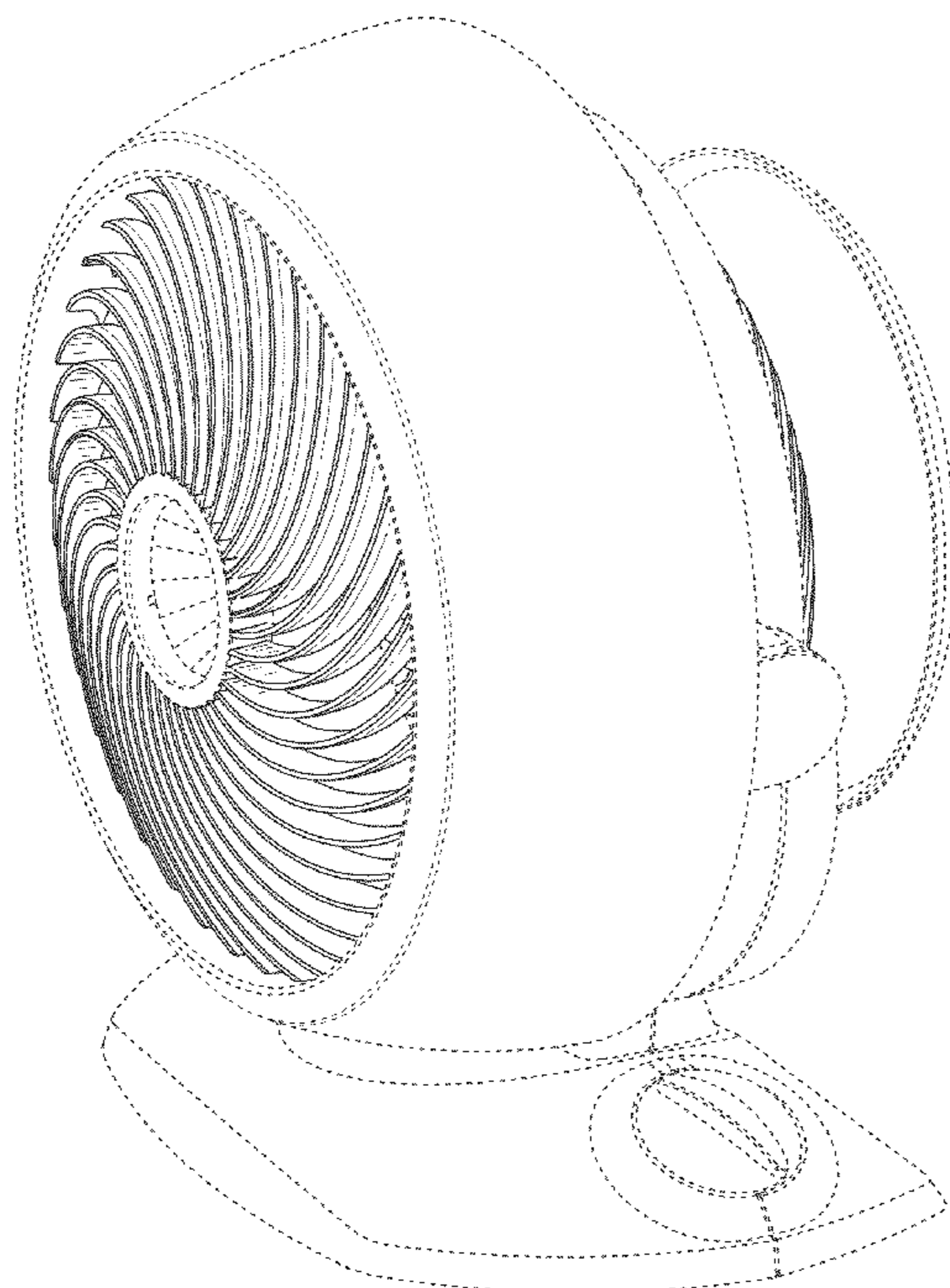
(57) **CLAIM**

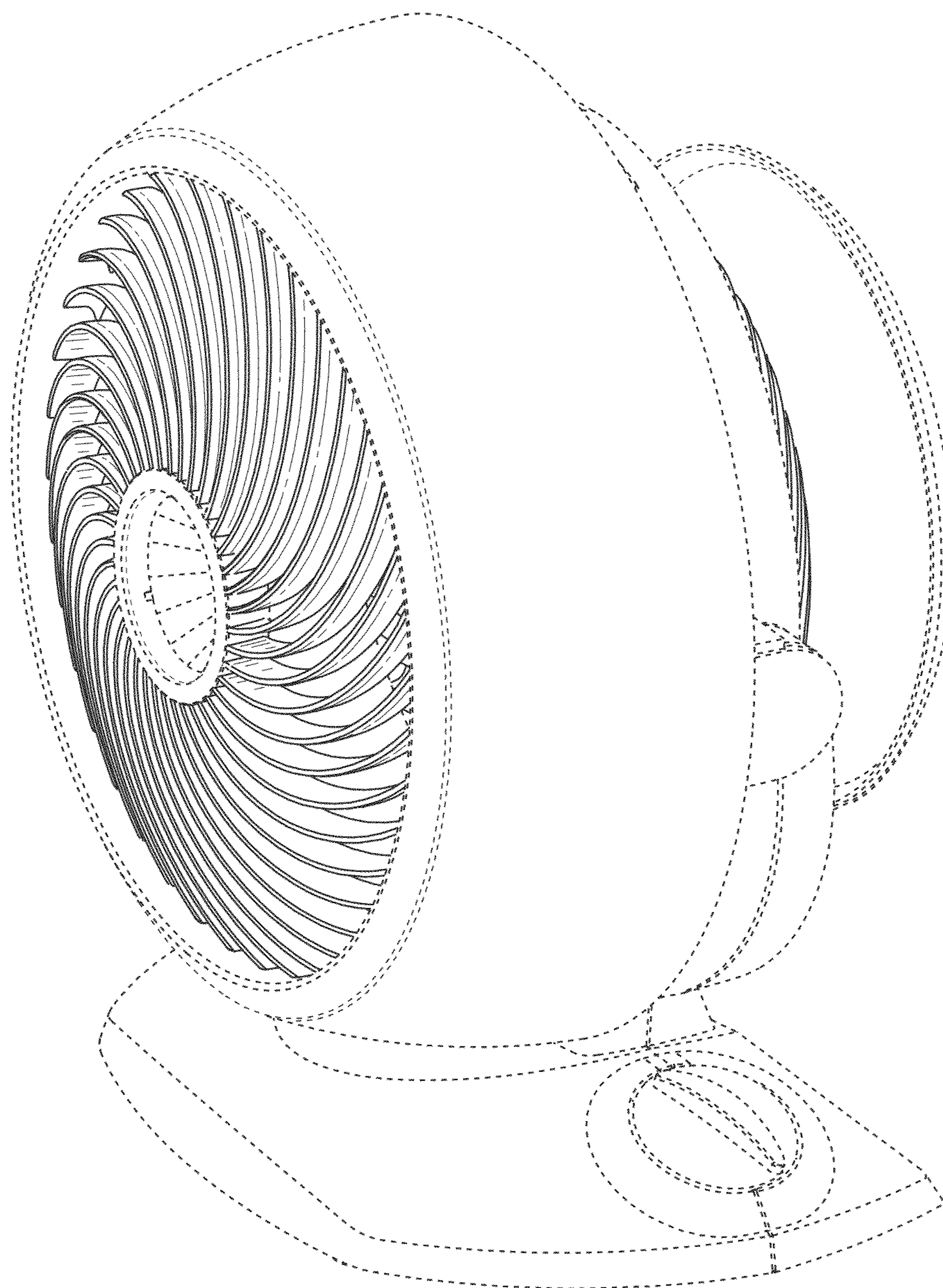
The ornamental design for a air circulator, as shown and described.

**DESCRIPTION**

FIG. 1 is a front right perspective view of the air circulator of FIG. 1;  
FIG. 2 is a right elevation view of the air circulator;  
FIG. 3 is a left elevation view of the air circulator;  
FIG. 4 is a top elevation view of the air circulator of FIG. 1;  
FIG. 5 is a bottom elevation view of the air circulator of FIG. 1;  
FIG. 6 is a rear right perspective view of the air circulator of FIG. 1;  
FIG. 7 is a front elevation view of the air circulator of FIG. 1;  
and,  
FIG. 8 is a rear elevation view of the air circulator of FIG. 1.  
The broken line showing of structure is included for the purpose of illustrating portions of the “article” and forms no part of the claimed design.

**1 Claim, 8 Drawing Sheets**





**FIG. 1**



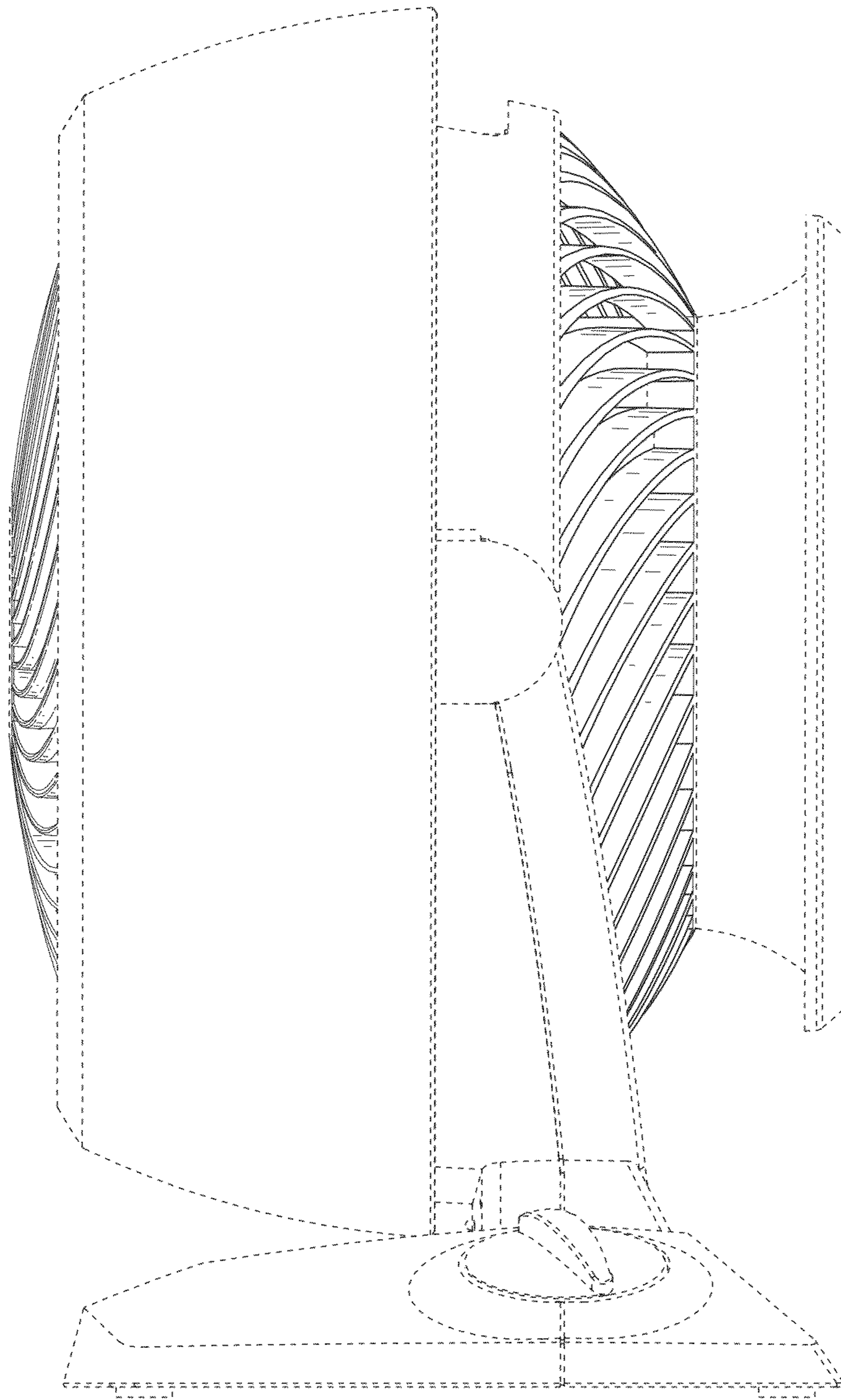
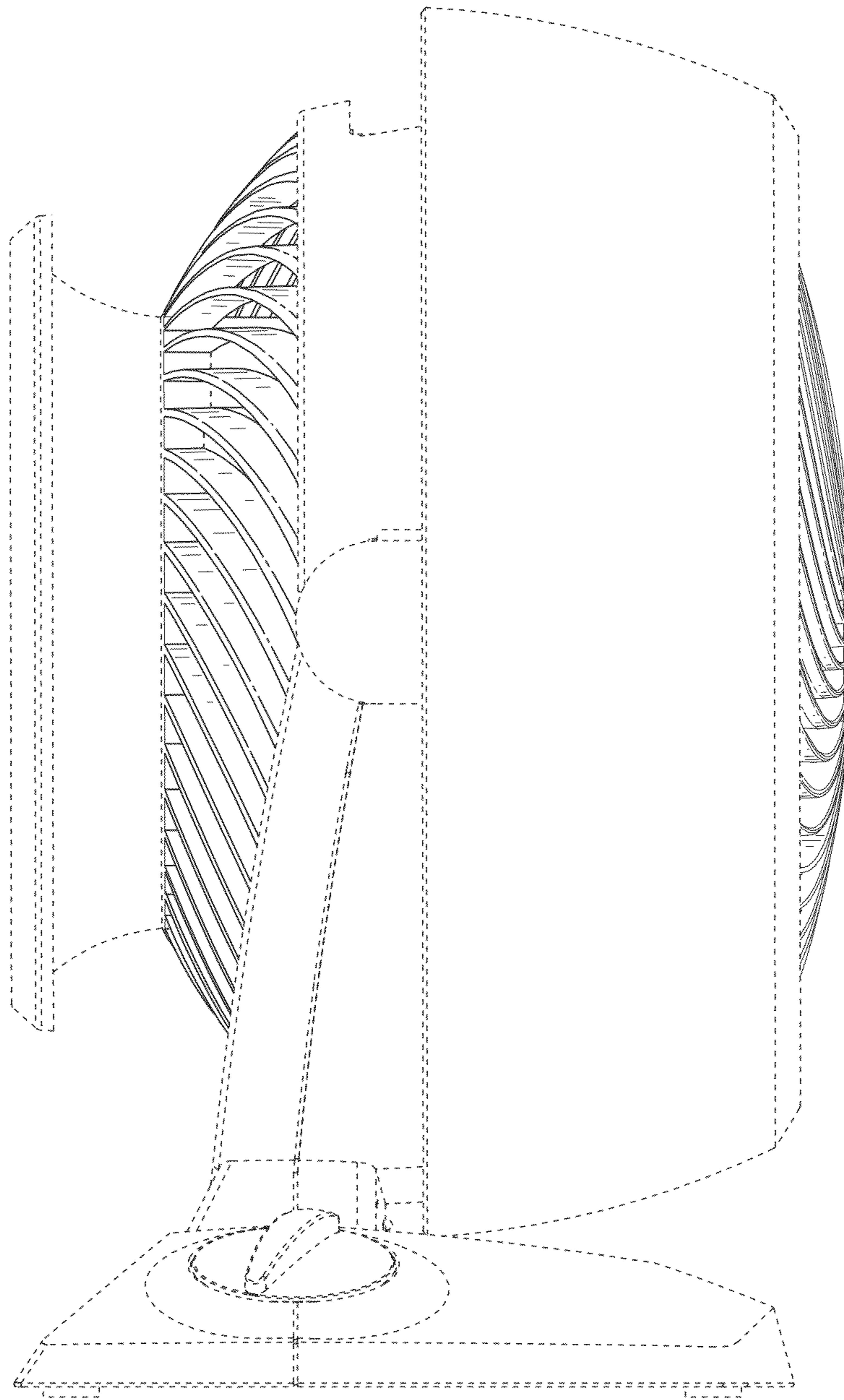


FIG. 2



**FIG. 3**

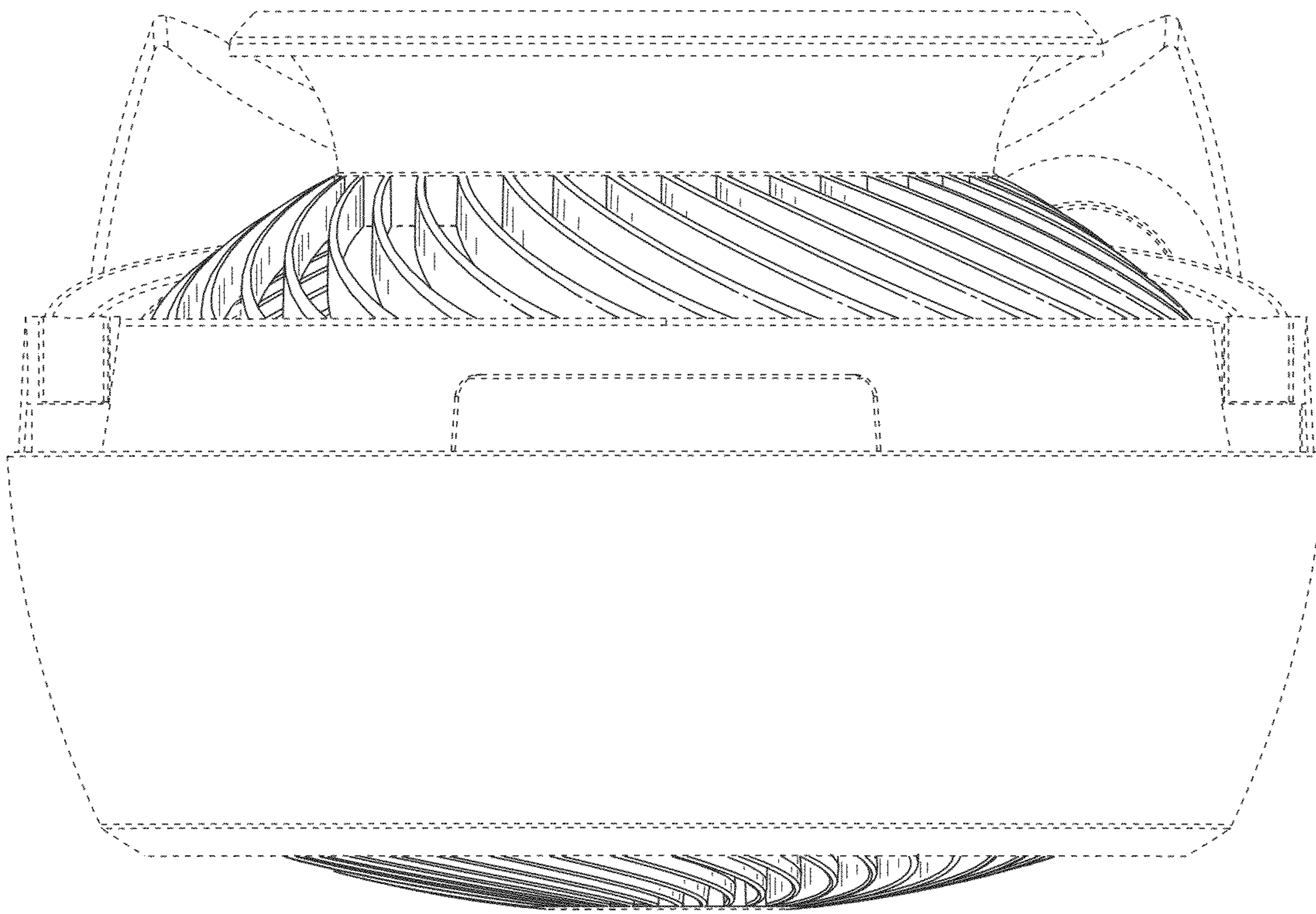
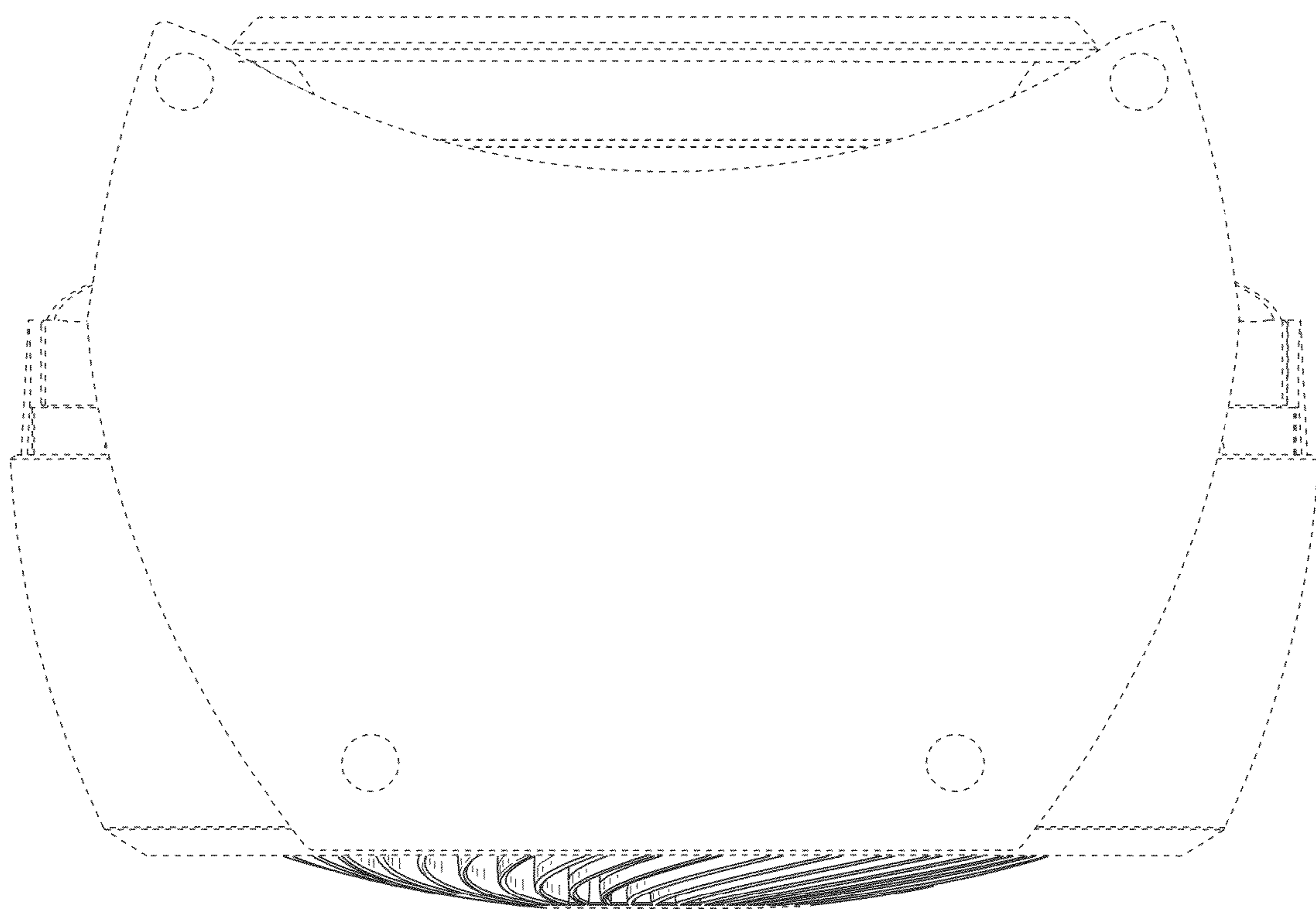


FIG. 4



**FIG. 5**



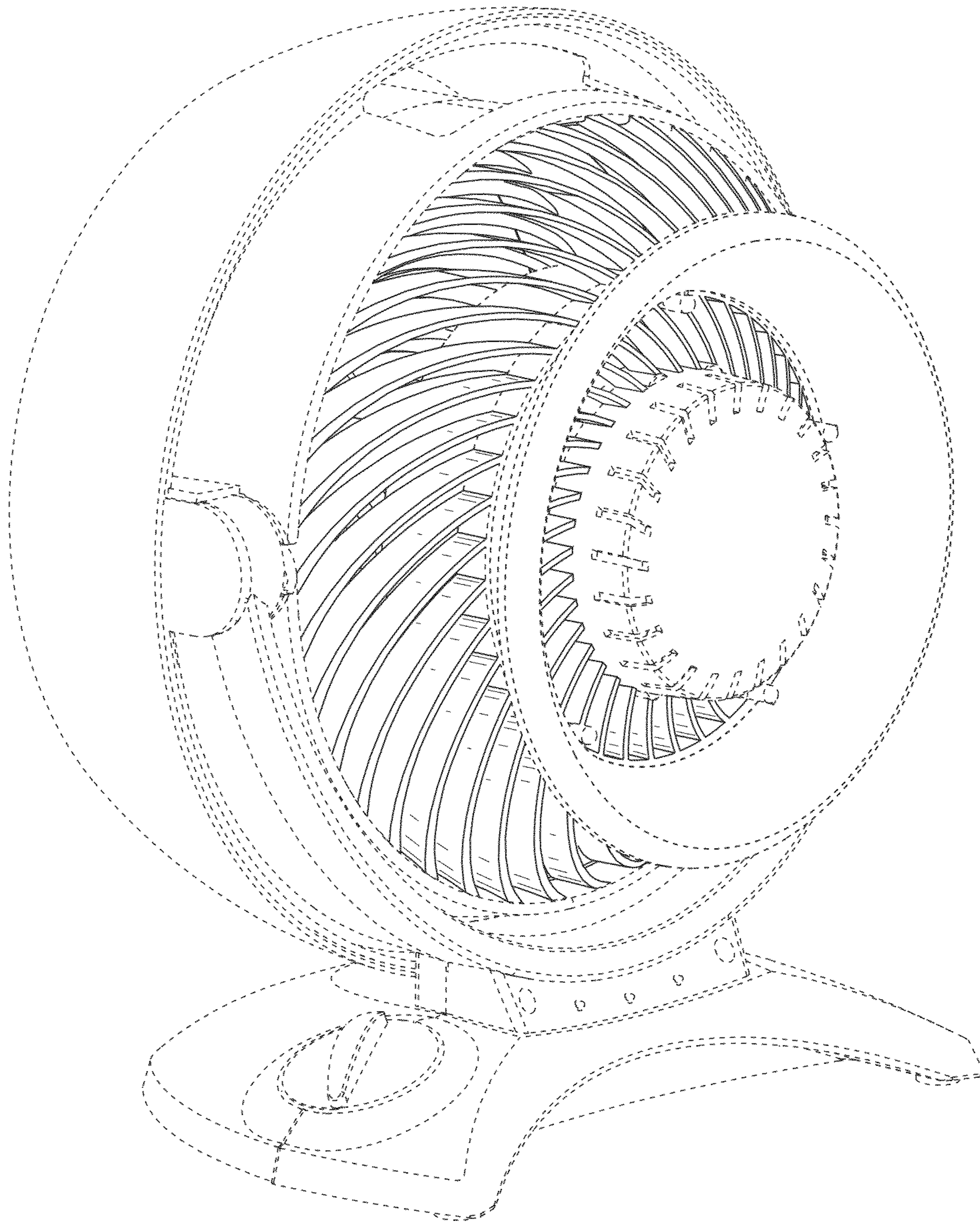
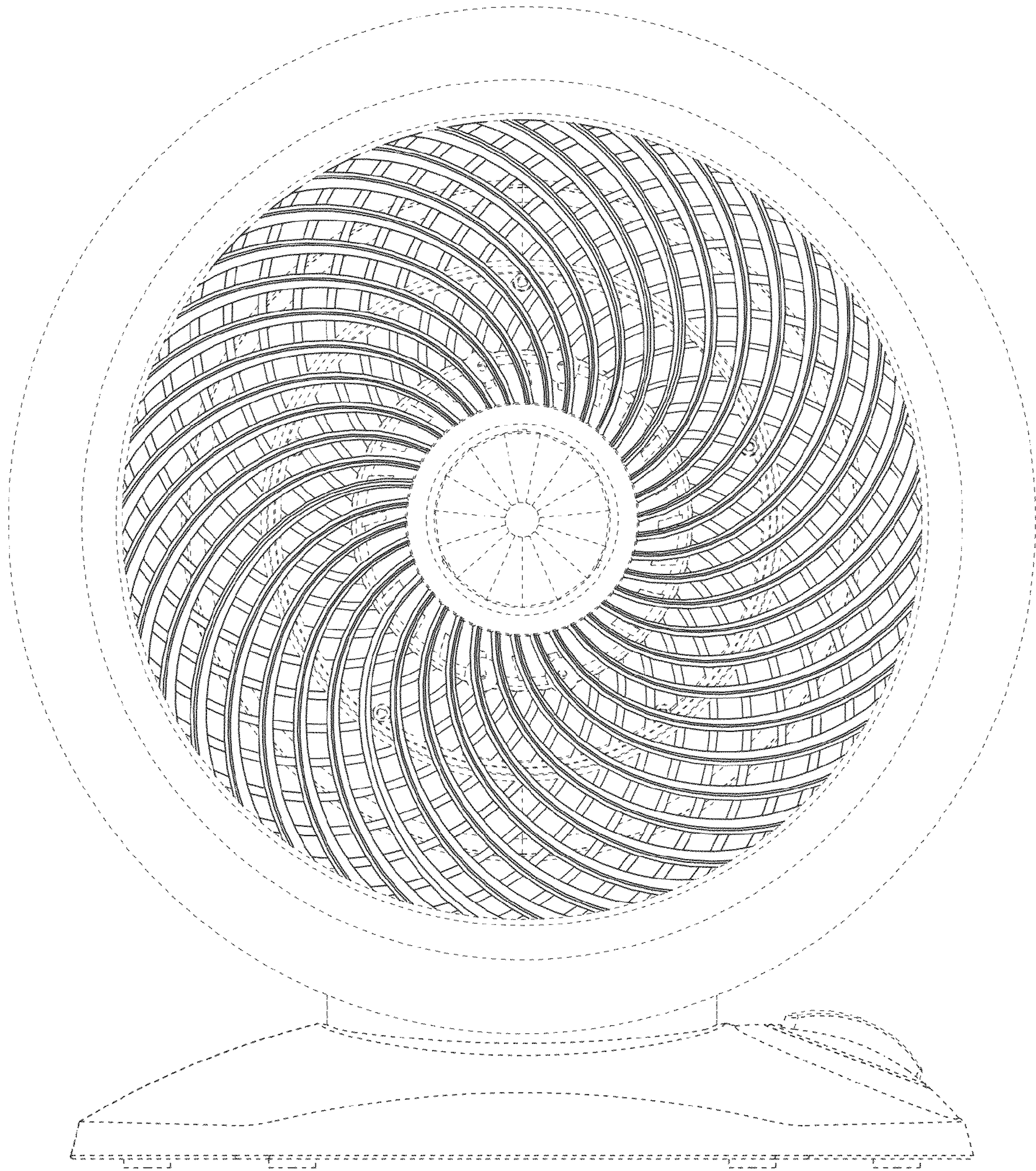


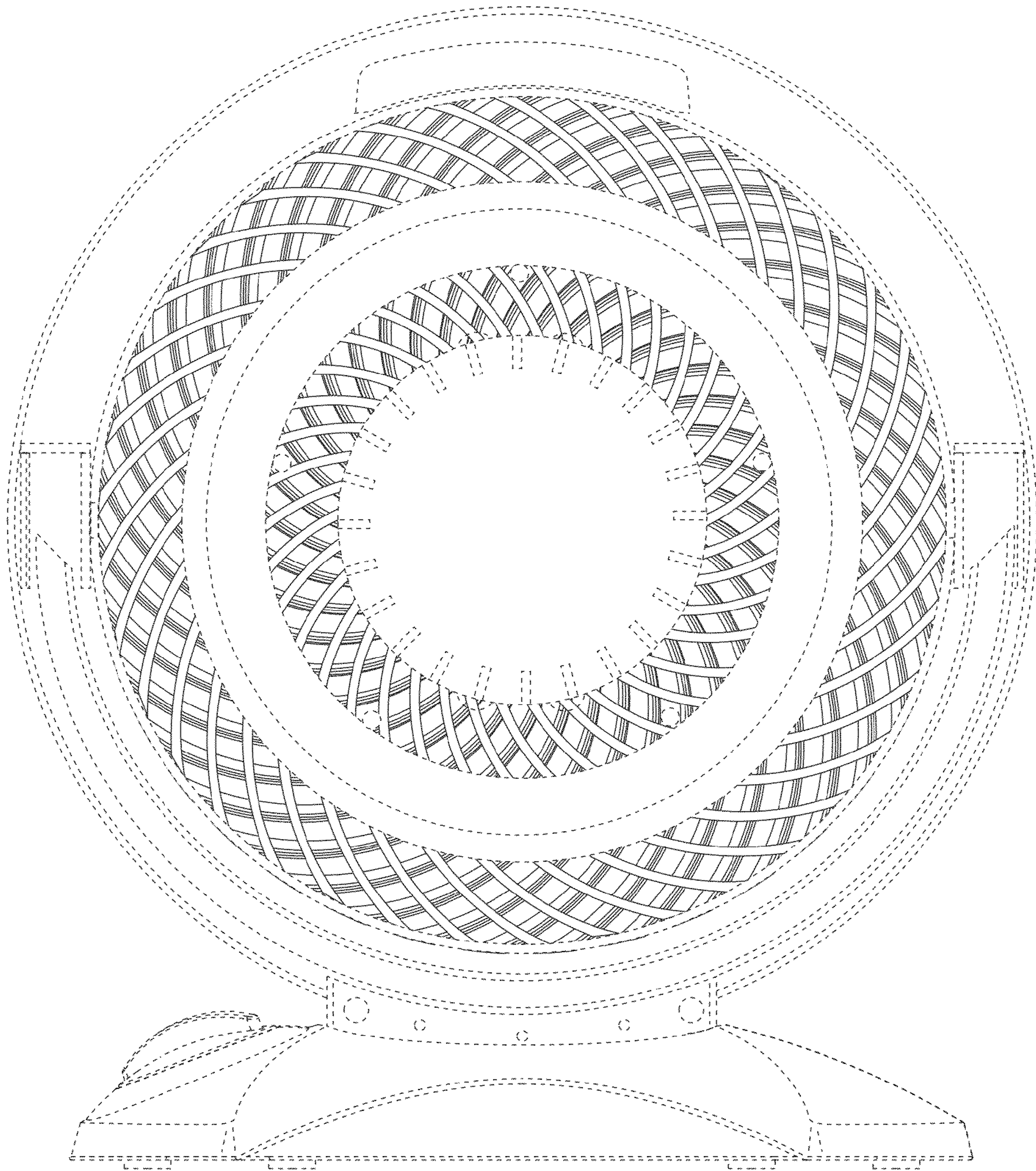
FIG. 6





**FIG. 7**





**FIG. 8**