



US00D688367S

(12) **United States Design Patent**
Ediger et al.

(10) **Patent No.:** **US D688,367 S**

(45) **Date of Patent:** **** Aug. 20, 2013**

(54) **AIR CIRCULATOR**

(71) Applicant: **Vornado Air, LLC**, Andover, KS (US)

(72) Inventors: **Glen W. Ediger**, North Newton, KS (US); **Gary P. Israel**, Andover, KS (US)

(73) Assignee: **Vornado Air, LLC**, Andover, KS (US)

(**) Term: **14 Years**

(21) Appl. No.: **29/438,475**

(22) Filed: **Nov. 30, 2012**

(51) **LOC (9) Cl.** **23-04**

(52) **U.S. Cl.**

USPC **D23/411**; D23/382

(58) **Field of Classification Search**

USPC D23/317, 330, 332-342, 351-360, D23/363, 364, 370-379, 381-383, 385-388, D23/393, 394, 399, 411-414; 454/237-253, 454/186, 228-236, 192; 52/302.1; 417/423.1, 417/423.14; 415/182.1, 200, 90; 416/244 R, 416/246, 247 R; D6/309; D21/430, 436, D21/442, 447, 450, 453, 458; 5/421, 423
See application file for complete search history.

(56) **References Cited**

U.S. PATENT DOCUMENTS

5,609,473 A * 3/1997 Litvin 416/246
D400,242 S * 10/1998 Litvin D23/382

5,829,956 A * 11/1998 Chen et al. 416/196 A
D421,114 S * 2/2000 Lozzio et al. D23/382
D424,681 S * 5/2000 Lozzio et al. D23/378
6,120,248 A * 9/2000 Litvin et al. 416/63
D538,421 S * 3/2007 Russak et al. D23/382
D610,671 S * 2/2010 Zhuang et al. D23/382
D620,100 S * 7/2010 Peterson et al. D23/411

* cited by examiner

Primary Examiner — George D Kirschbaum

Assistant Examiner — Janice Hallmark

(74) *Attorney, Agent, or Firm* — Advent, LLP

(57) **CLAIM**

The ornamental design for a air circulator, as shown and described.

DESCRIPTION

FIG. 1 is a front right perspective view of the air circulator of FIG. 1;

FIG. 2 is a right elevation view of the air circulator;

FIG. 3 is a left elevation view of the air circulator;

FIG. 4 is a top elevation view of the air circulator of FIG. 1;

FIG. 5 is a bottom elevation view of the air circulator of FIG. 1;

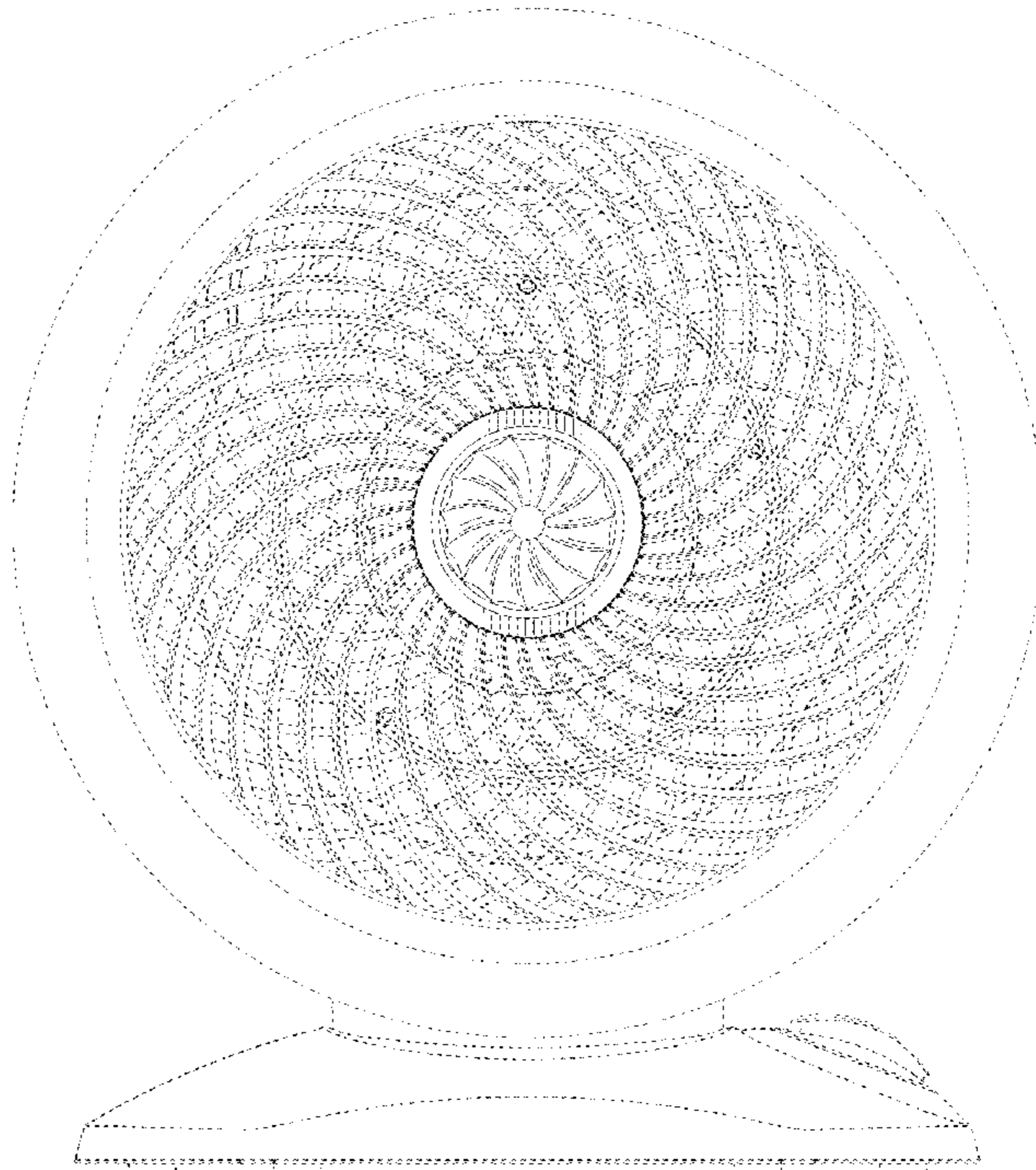
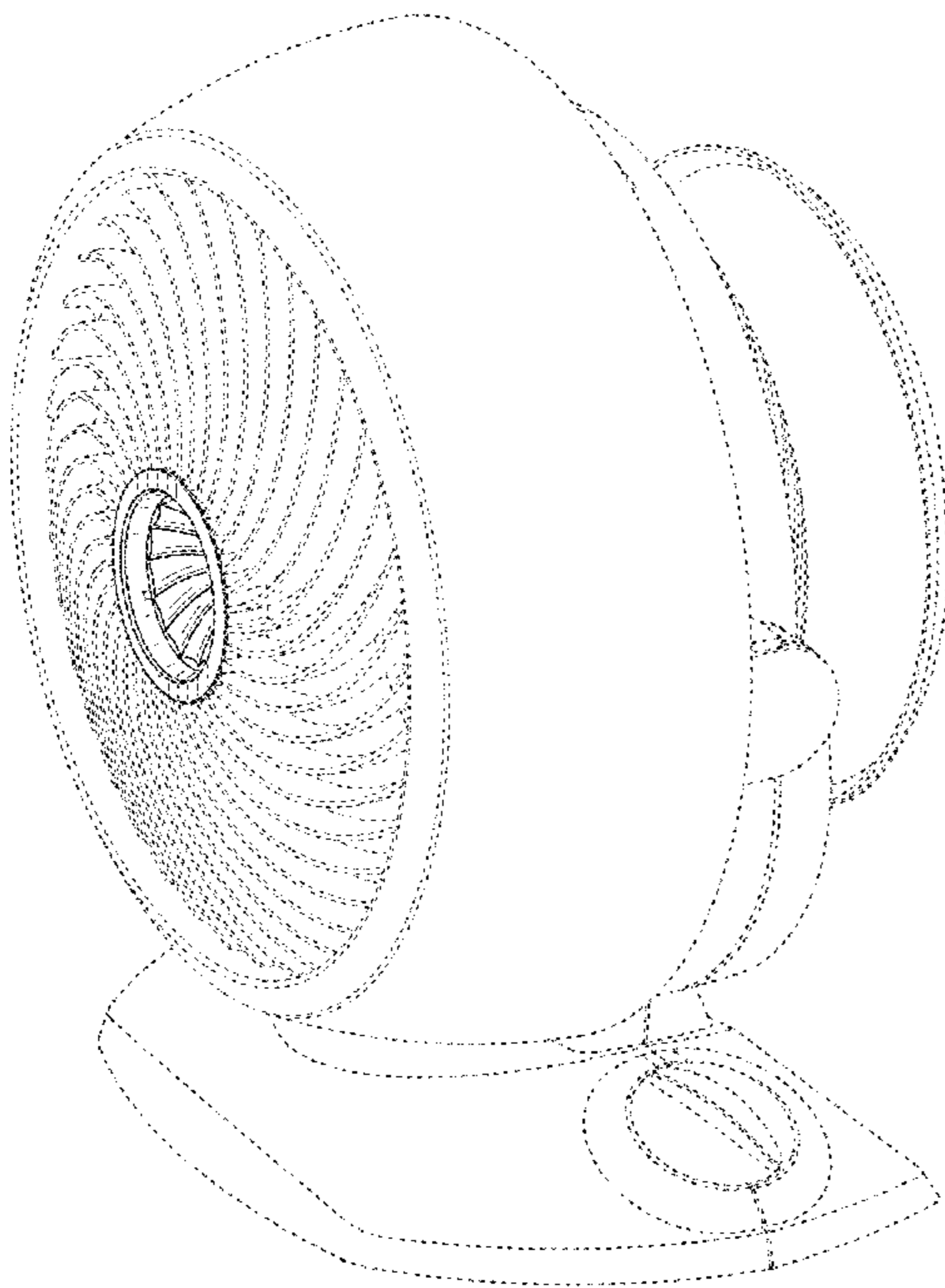
FIG. 6 is a rear right perspective view of the air circulator of FIG. 1;

FIG. 7 is a front elevation view of the air circulator of FIG. 1; and,

FIG. 8 is a rear elevation view of the air circulator of FIG. 1.

The broken line showing of structure is included for the purpose of illustrating portions of the “article” and forms no part of the claimed design.

1 Claim, 8 Drawing Sheets



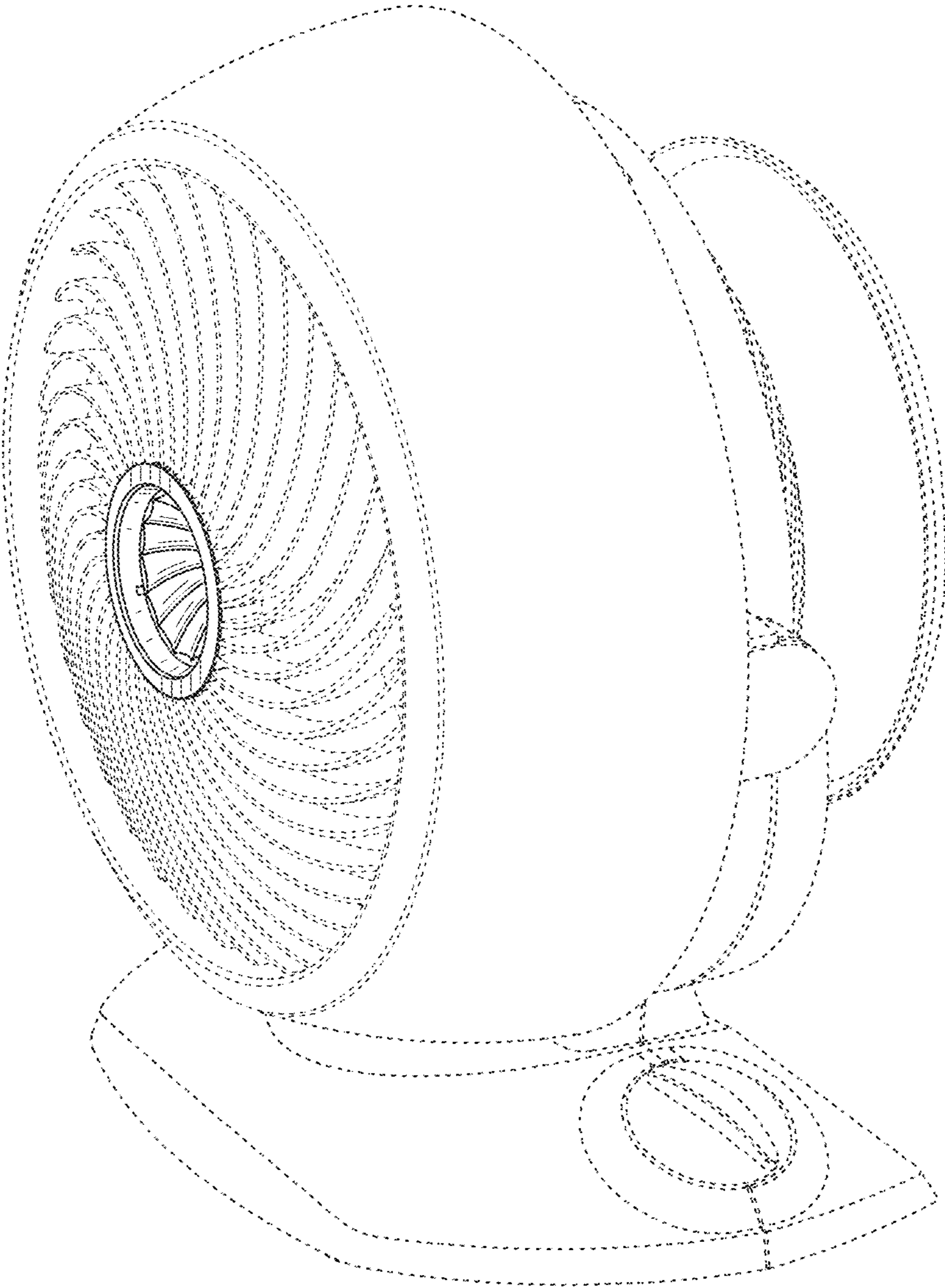


FIG. 1

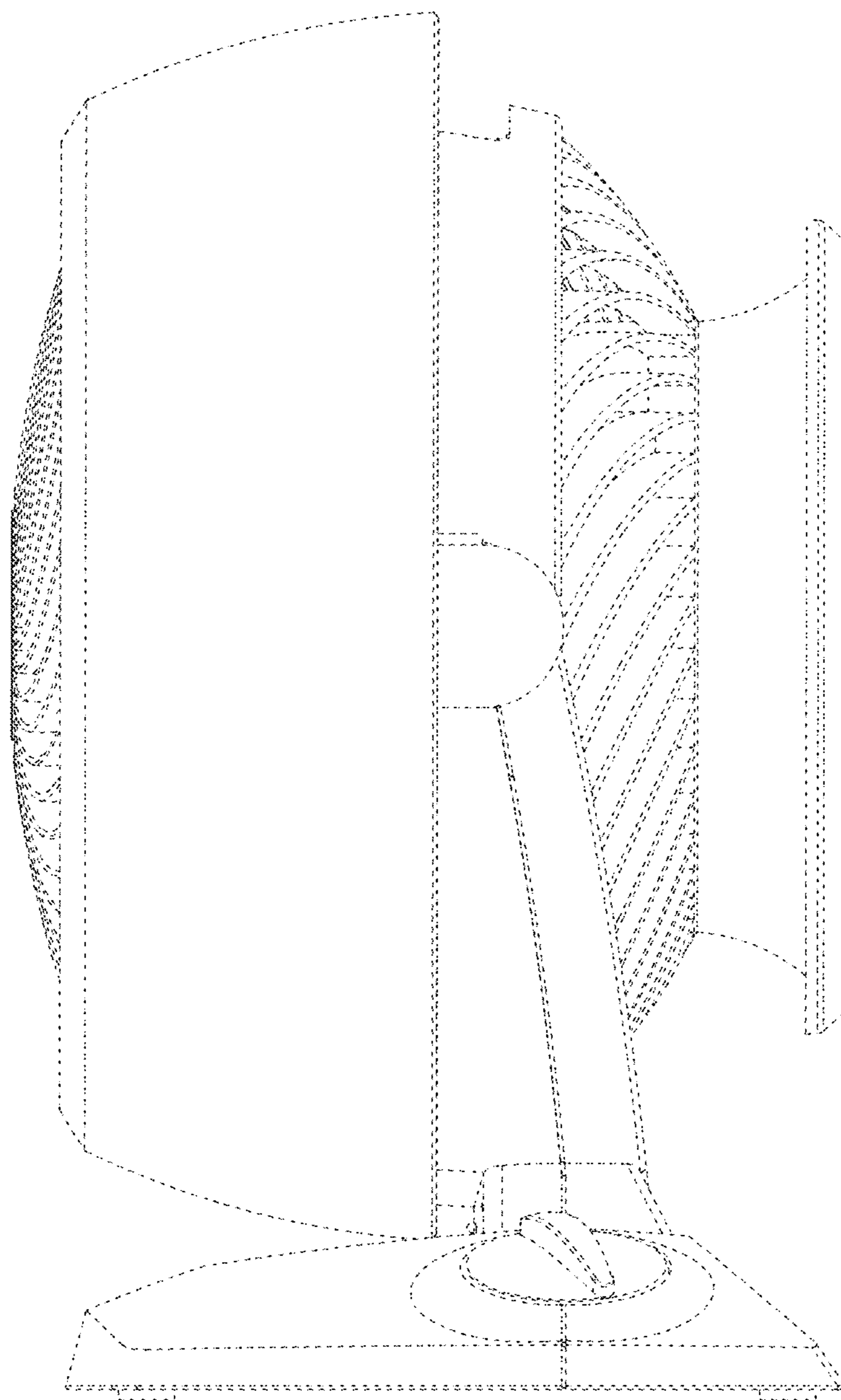


FIG. 2

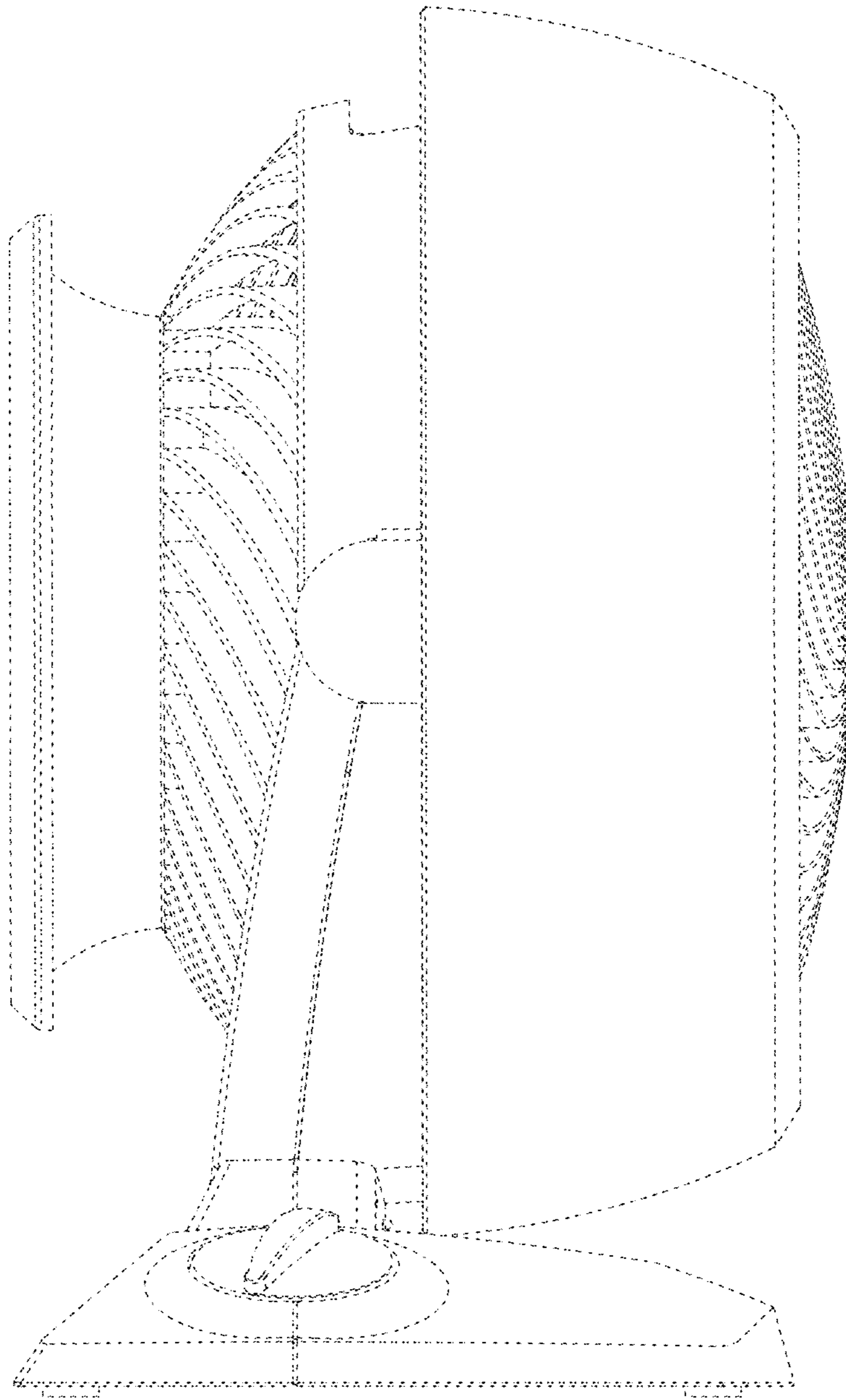


FIG. 3

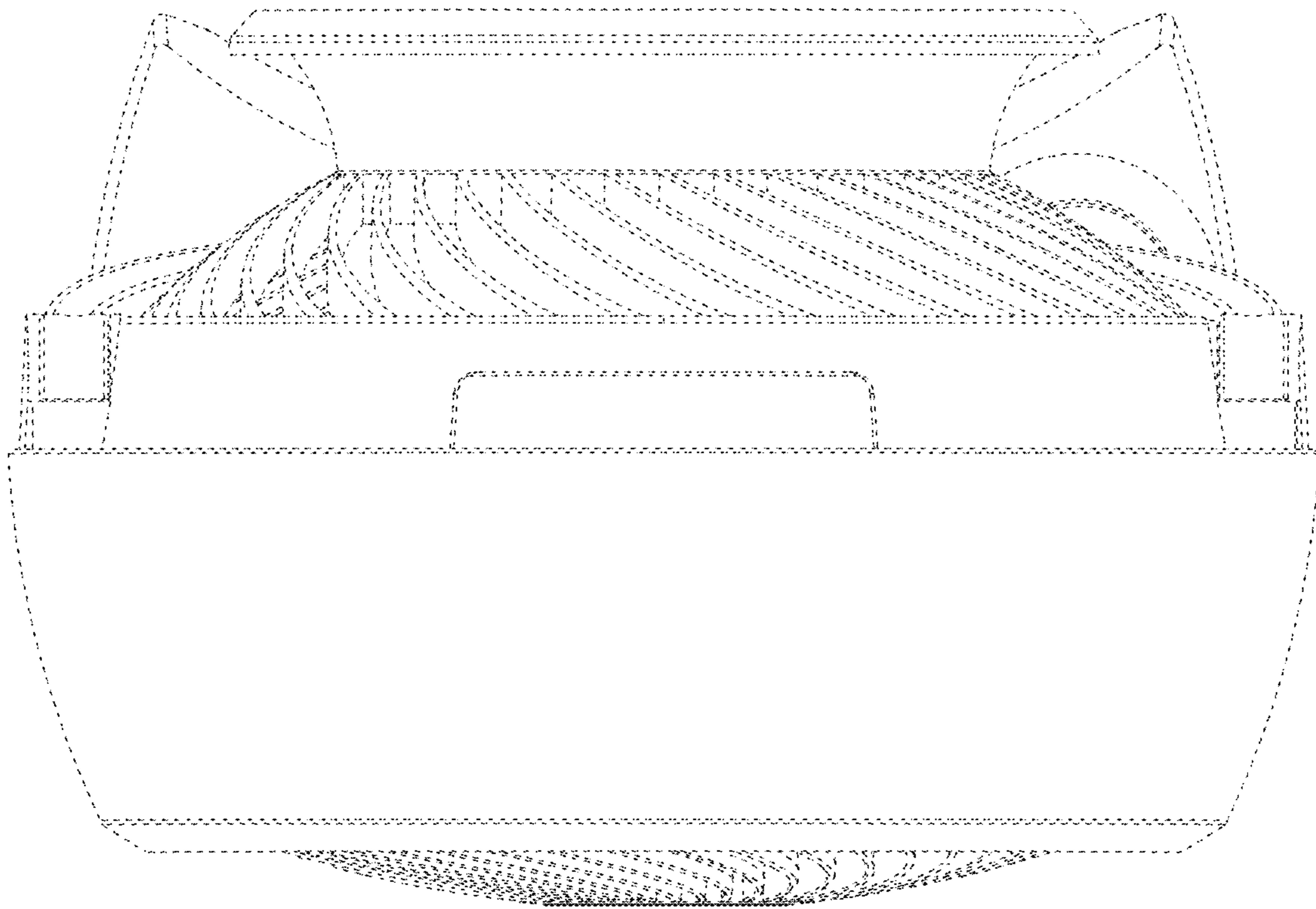


FIG. 4

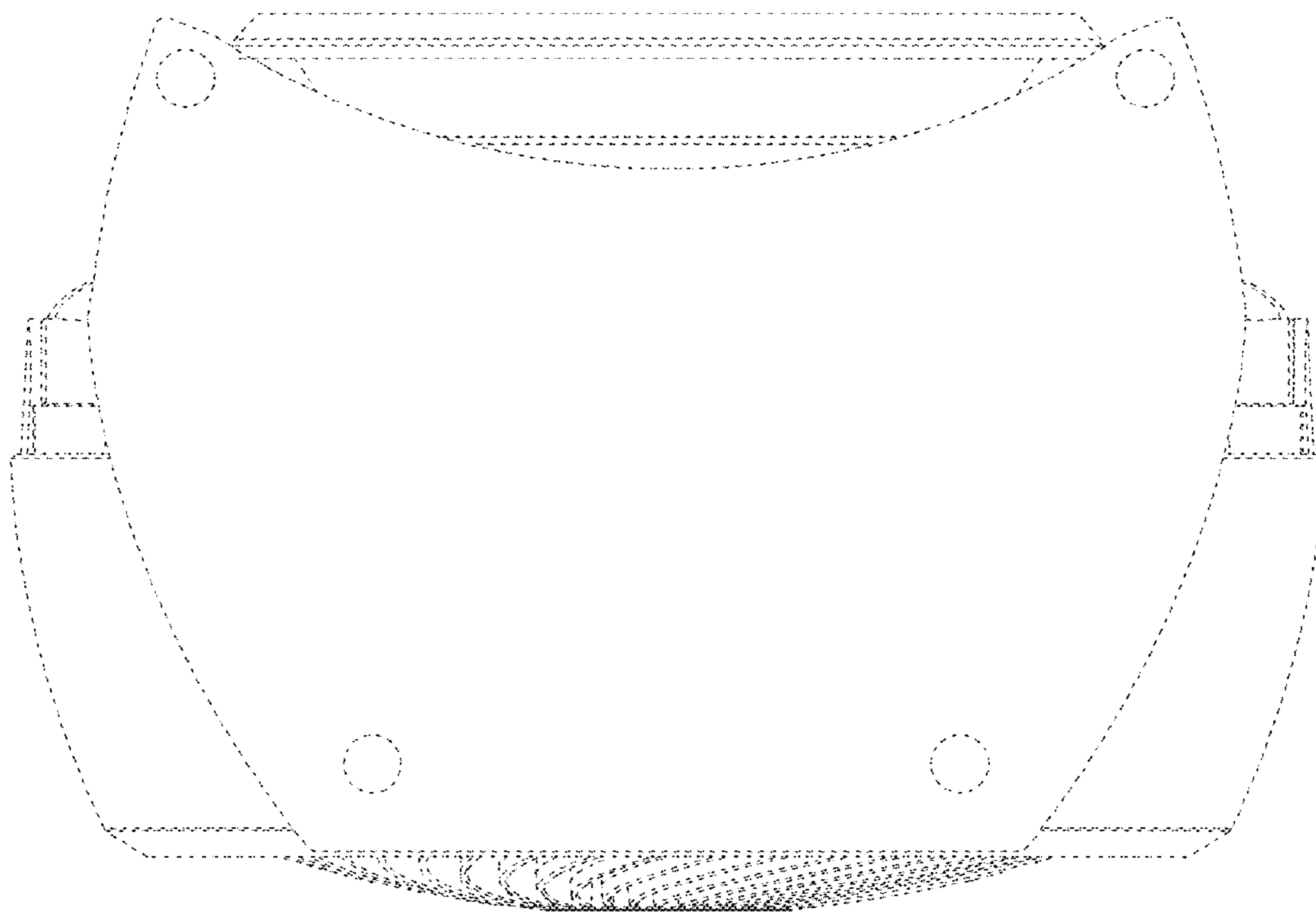


FIG. 5

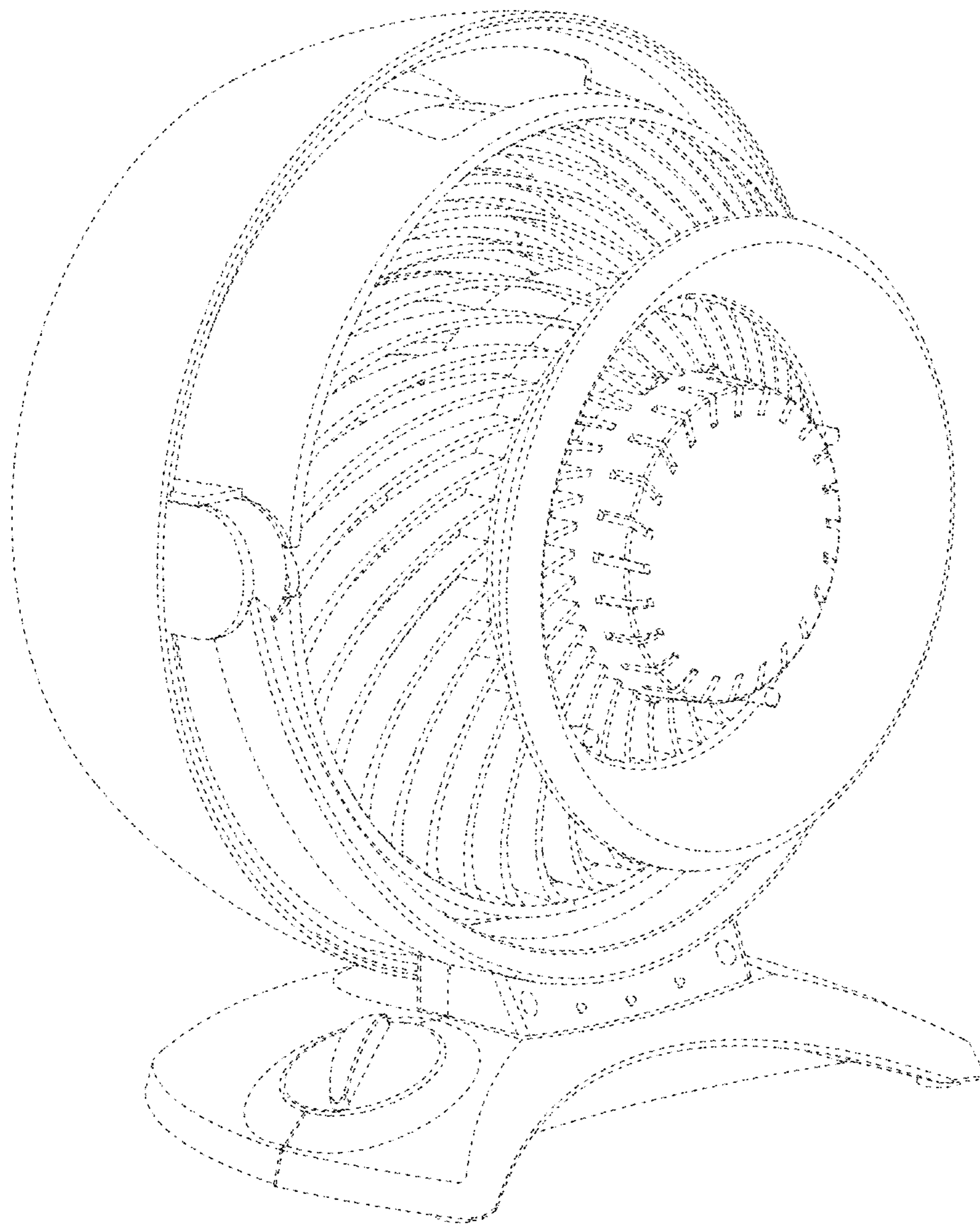


FIG. 6

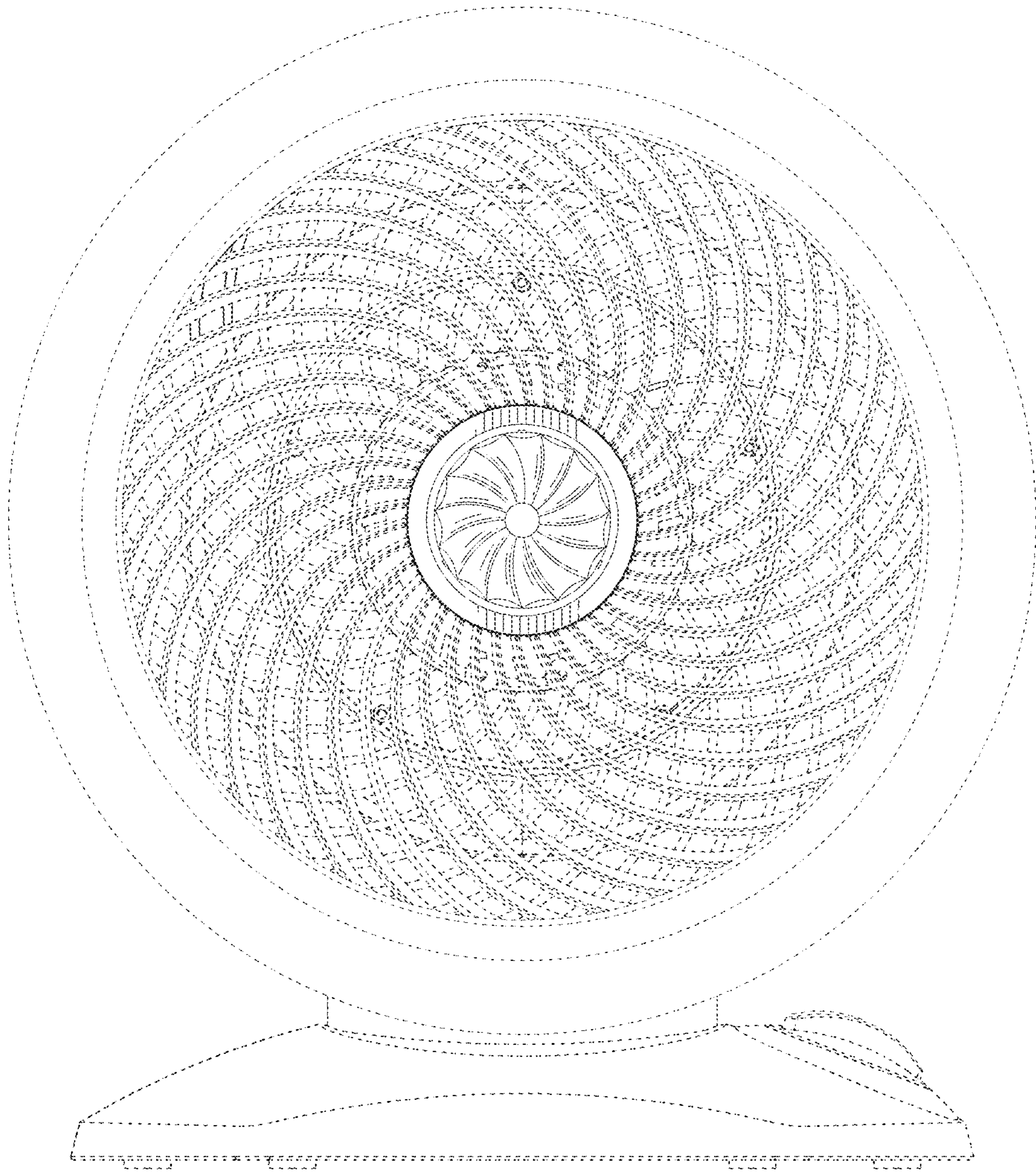


FIG. 7

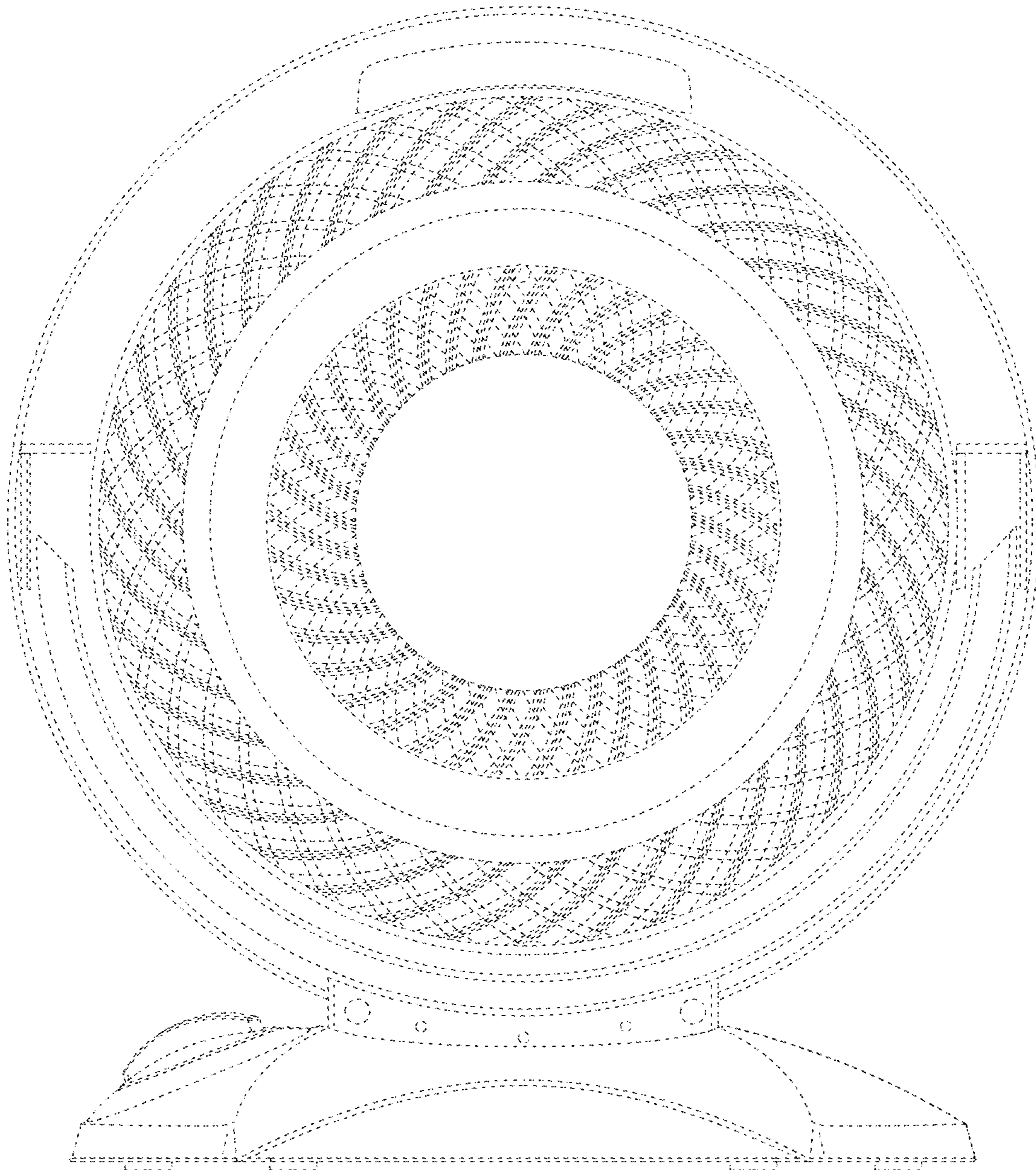


FIG. 8