



US00D688362S

(12) **United States Design Patent**  
**Thomas et al.**

(10) **Patent No.:** **US D688,362 S**  
(45) **Date of Patent:** **\*\* Aug. 20, 2013**

- (54) **PEDESTAL HUMIDIFIER**
- (75) Inventors: **Scott Thomas**, Greenbrier, AR (US);  
**Mark Brenneman**, Burlington, WI (US)
- (73) Assignee: **Essick Air Products**, Little Rock, AR (US)
- (\*\*) Term: **14 Years**
- (21) Appl. No.: **29/431,358**
- (22) Filed: **Sep. 6, 2012**

- D353,662 S 12/1994 Patton et al.
- D354,803 S 1/1995 Huang
- D368,770 S 4/1996 Tanner et al.
- D376,418 S 12/1996 Wang
- D388,510 S 12/1997 Rick et al.
- D394,311 S 5/1998 Seaman et al.
- D395,490 S 6/1998 Jane' et al.
- D395,492 S 6/1998 Phillips et al.
- D396,527 S 7/1998 Boyle et al.
- D398,045 S 9/1998 Jane et al.
- D398,389 S 9/1998 Spaine et al.
- D402,022 S 12/1998 Termeer et al.
- D411,879 S 7/1999 Stanek et al.
- D413,662 S 9/1999 DeLay

(Continued)

**Related U.S. Application Data**

- (63) Continuation of application No. 29/360,221, filed on Apr. 22, 2010, now Pat. No. Des. 668,749.
- (51) **LOC (9) Cl.** ..... **23-04**
- (52) **U.S. Cl.**  
USPC ..... **D23/356**
- (58) **Field of Classification Search**  
USPC ..... D23/364, 355, 356, 359, 360, 366,  
D23/369, 332, 333, 335, 342, 351, 350, 346,  
D23/317; 422/120-122; 55/356, 473, 504;  
96/97; D14/188, 170, 172; 261/DIG. 17,  
261/DIG. 65, DIG. 88, DIG. 31; D18/34.6  
See application file for complete search history.

Primary Examiner — David Muller

(74) *Attorney, Agent, or Firm* — RatnerPrestia

(57) **CLAIM**

The ornamental design for a pedestal humidifier, as shown and described.

**DESCRIPTION**

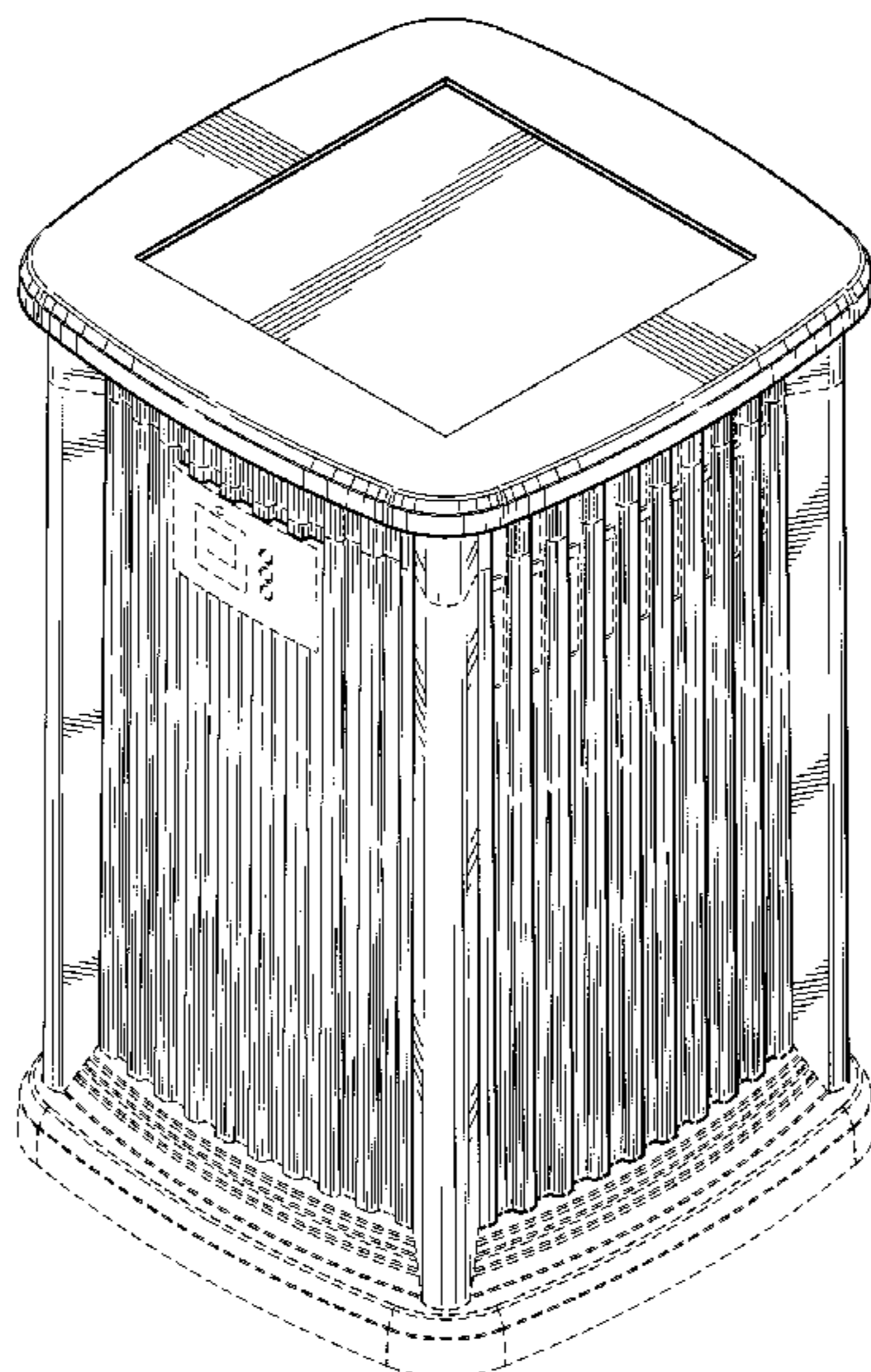
FIG. 1 is a perspective view from the top, front, and right of one embodiment of the pedestal humidifier;  
 FIG. 2 is a perspective view from the top, rear, and left side of the pedestal humidifier of FIG. 1;  
 FIG. 3 is a front elevation view of the pedestal humidifier of FIG. 1;  
 FIG. 4 is a right side elevation view of the pedestal humidifier of FIG. 1, the left side being a mirror image thereof;  
 FIG. 5 is a rear elevation view of the pedestal humidifier of FIG. 1;  
 FIG. 6 is a top view of the pedestal humidifier of FIG. 1; and,  
 FIG. 7 is a bottom view of the pedestal humidifier of FIG. 1.  
 The portions of the pedestal humidifier shown in broken lines depict environmental subject matter only and form no part of the claimed design.

(56) **References Cited**

U.S. PATENT DOCUMENTS

- D268,129 S 3/1983 Zuback
- D305,795 S 1/1990 Harashima
- D308,414 S 6/1990 Makihara
- D318,723 S 7/1991 Chiu
- D323,210 S 1/1992 Wortham
- D323,382 S 1/1992 Wang
- D328,341 S \* 7/1992 Chiu ..... D23/346
- D344,580 S 2/1994 Barrault
- D346,855 S 5/1994 Chiu

**1 Claim, 6 Drawing Sheets**



(56)

References Cited

U.S. PATENT DOCUMENTS

D416,614 S 11/1999 Bellil et al.  
 D421,108 S 2/2000 Esty et al.  
 D425,609 S 5/2000 Hyon  
 D429,323 S 8/2000 Rossman et al.  
 D429,805 S 8/2000 Hyo  
 D430,278 S 8/2000 Krauss et al.  
 D433,494 S 11/2000 Pinchuk et al.  
 D435,096 S 12/2000 Meeks et al.  
 D437,039 S 1/2001 Yamazaki et al.  
 D451,182 S 11/2001 Tsuji  
 D453,822 S 2/2002 Meeks et al.  
 D461,002 S 7/2002 Christianson  
 D465,567 S 11/2002 Choi  
 D468,414 S 1/2003 Fok  
 D491,653 S \* 6/2004 Warren ..... D23/350  
 D495,043 S 8/2004 Gatchell et al.  
 D500,848 S 1/2005 Holderfield et al.  
 D501,042 S 1/2005 Holderfield et al.  
 D501,248 S 1/2005 Chi-Hsiang et al.  
 D514,678 S 2/2006 Julos et al.  
 D518,160 S 3/2006 Normark  
 D523,128 S 6/2006 Zhu  
 D529,161 S 9/2006 De'Longhi  
 D532,502 S 11/2006 Bartlett et al.  
 D534,636 S 1/2007 David et al.  
 D534,637 S 1/2007 David et al.  
 D535,571 S 1/2007 Simon et al.

D540,453 S 4/2007 Wang  
 D548,315 S 8/2007 Lin  
 D549,811 S 8/2007 Chen  
 D553,229 S 10/2007 Song et al.  
 D565,167 S 3/2008 Hsu  
 D570,464 S 6/2008 Normark  
 D577,427 S 9/2008 Spiegel  
 D578,189 S 10/2008 Gao  
 D585,533 S 1/2009 Gao  
 D588,686 S 3/2009 Spiegel  
 D594,947 S 6/2009 Lewis  
 D596,728 S 7/2009 Campbell et al.  
 D597,187 S 7/2009 Campbell  
 D597,188 S 7/2009 Chen  
 D598,528 S 8/2009 Choi et al.  
 D600,336 S 9/2009 Lin  
 D606,184 S 12/2009 Chiu  
 D606,639 S 12/2009 Chung  
 D621,019 S \* 8/2010 Kim et al. .... D23/356  
 D622,834 S \* 8/2010 Jiang ..... D23/317  
 D638,923 S \* 5/2011 Choi ..... D23/364  
 D639,413 S \* 6/2011 Wu ..... D23/364  
 8,012,412 B2 \* 9/2011 Normark et al. .... 422/121  
 D651,301 S \* 12/2011 Albee et al. .... D23/366  
 D654,158 S \* 2/2012 Chen et al. .... D23/317  
 D654,159 S \* 2/2012 Chen et al. .... D23/317  
 D654,995 S \* 2/2012 Asofsky et al. .... D23/332  
 D657,037 S \* 4/2012 Lo ..... D23/364  
 D664,247 S \* 7/2012 Paterson ..... D23/364

\* cited by examiner

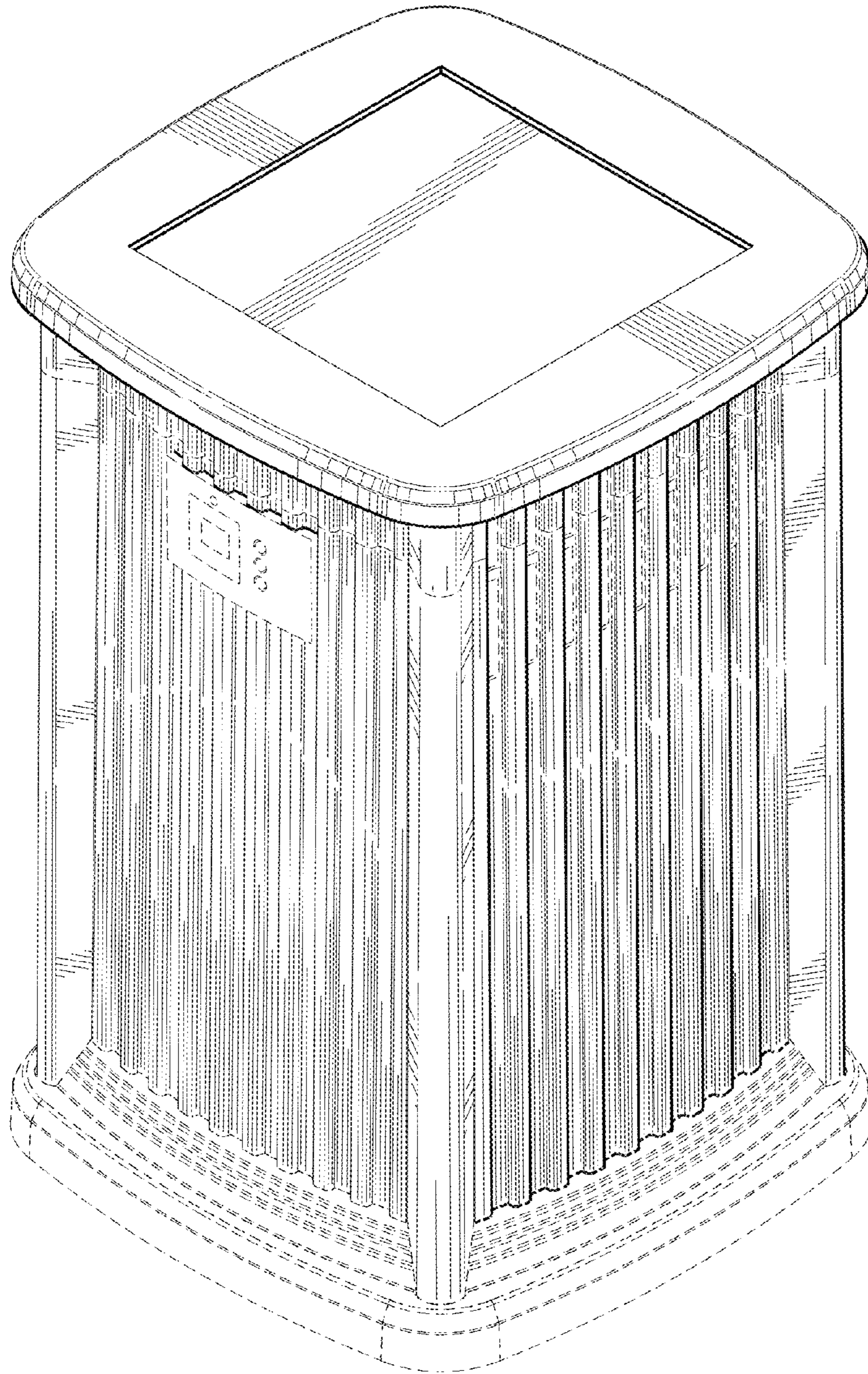


FIG. 1

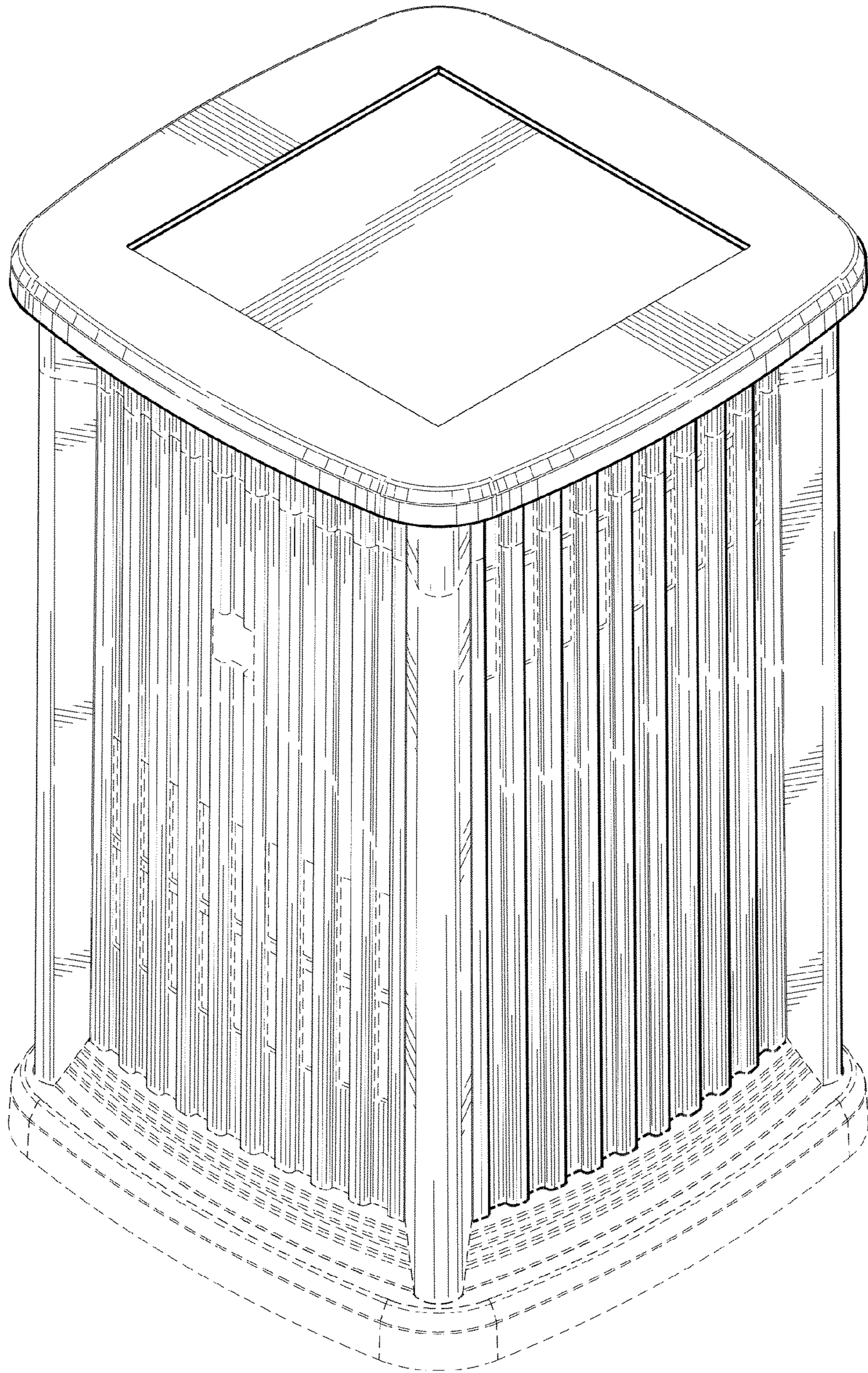


FIG. 2

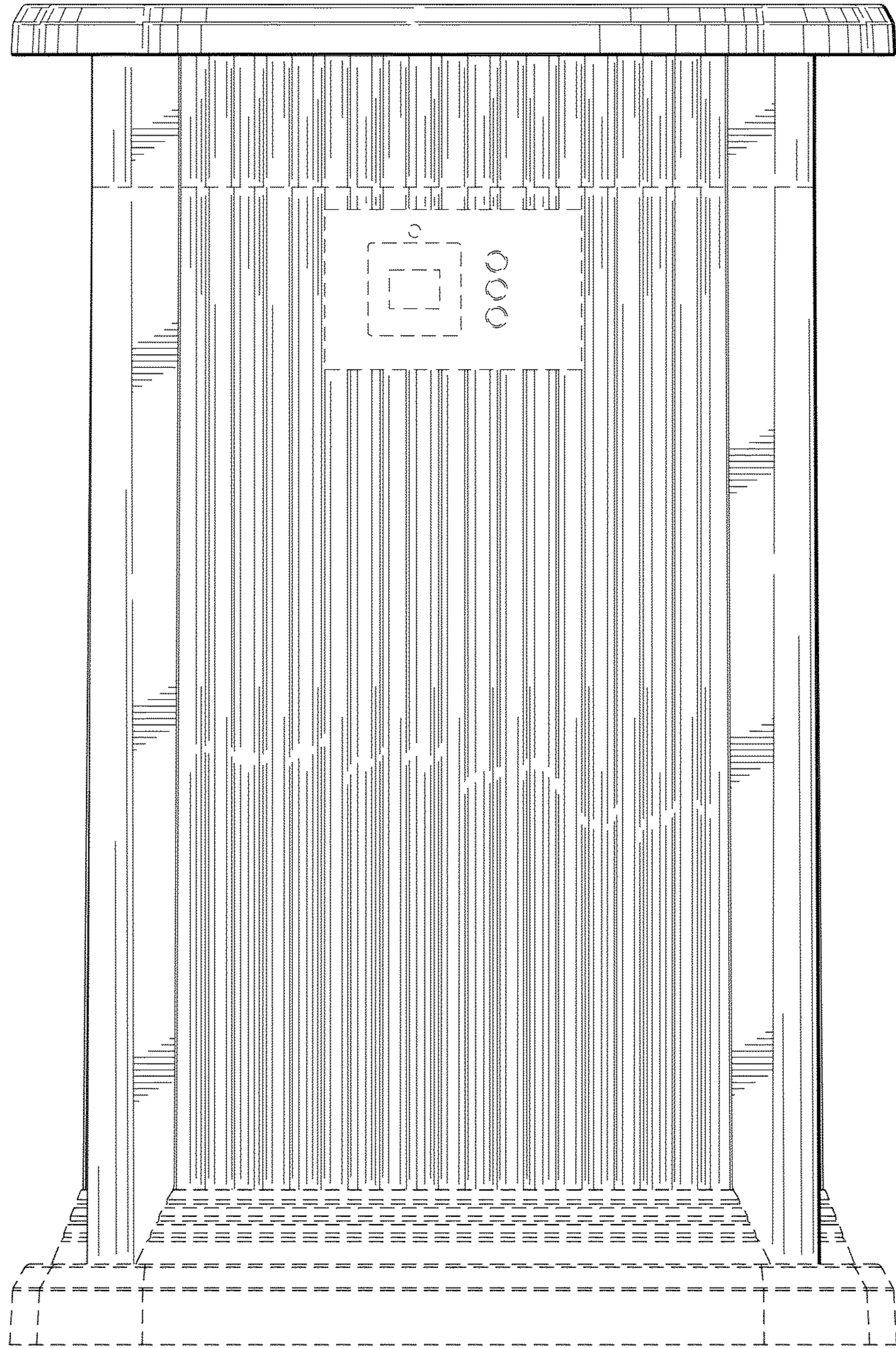


FIG. 3

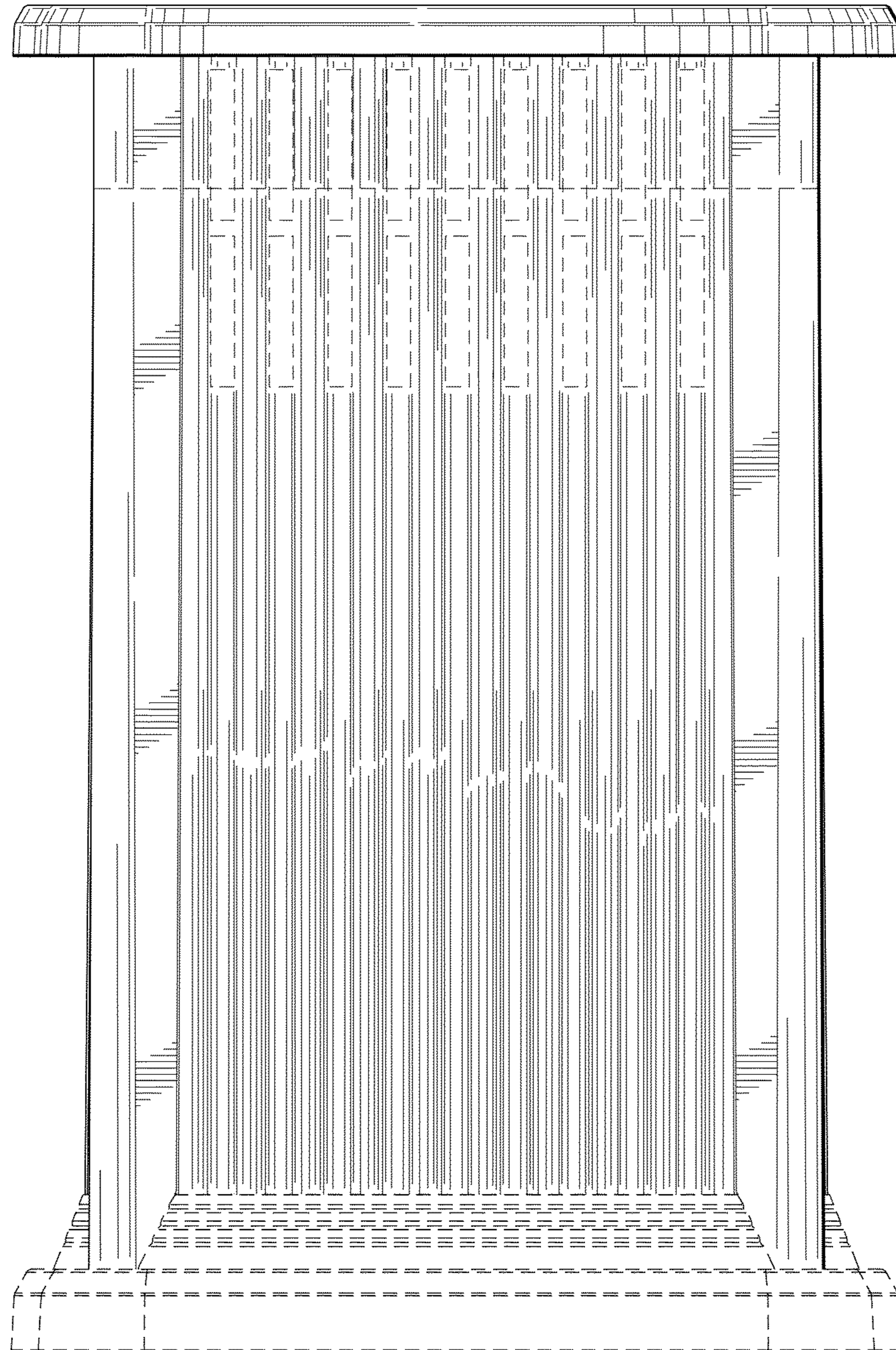


FIG. 4

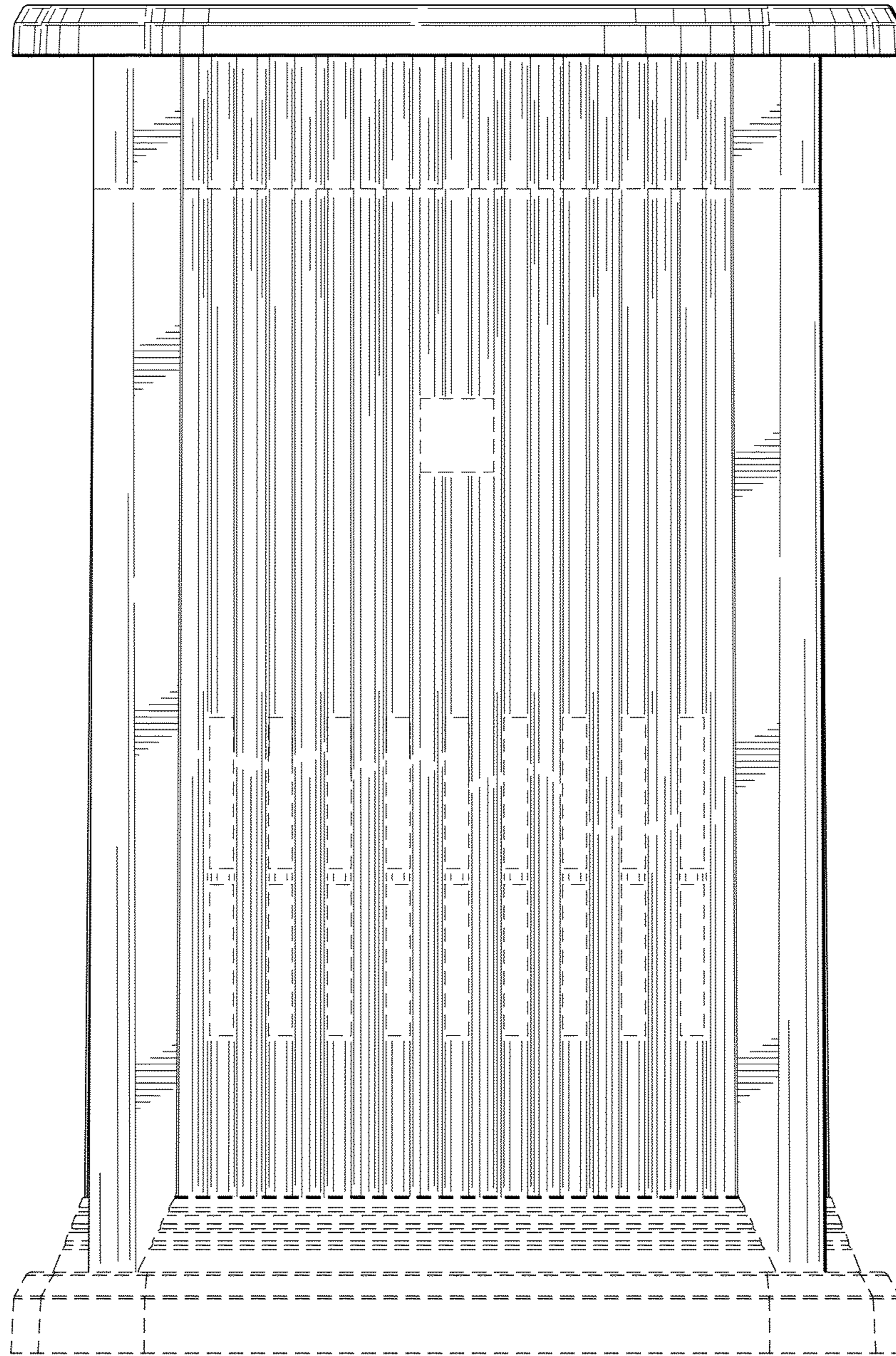


FIG. 5

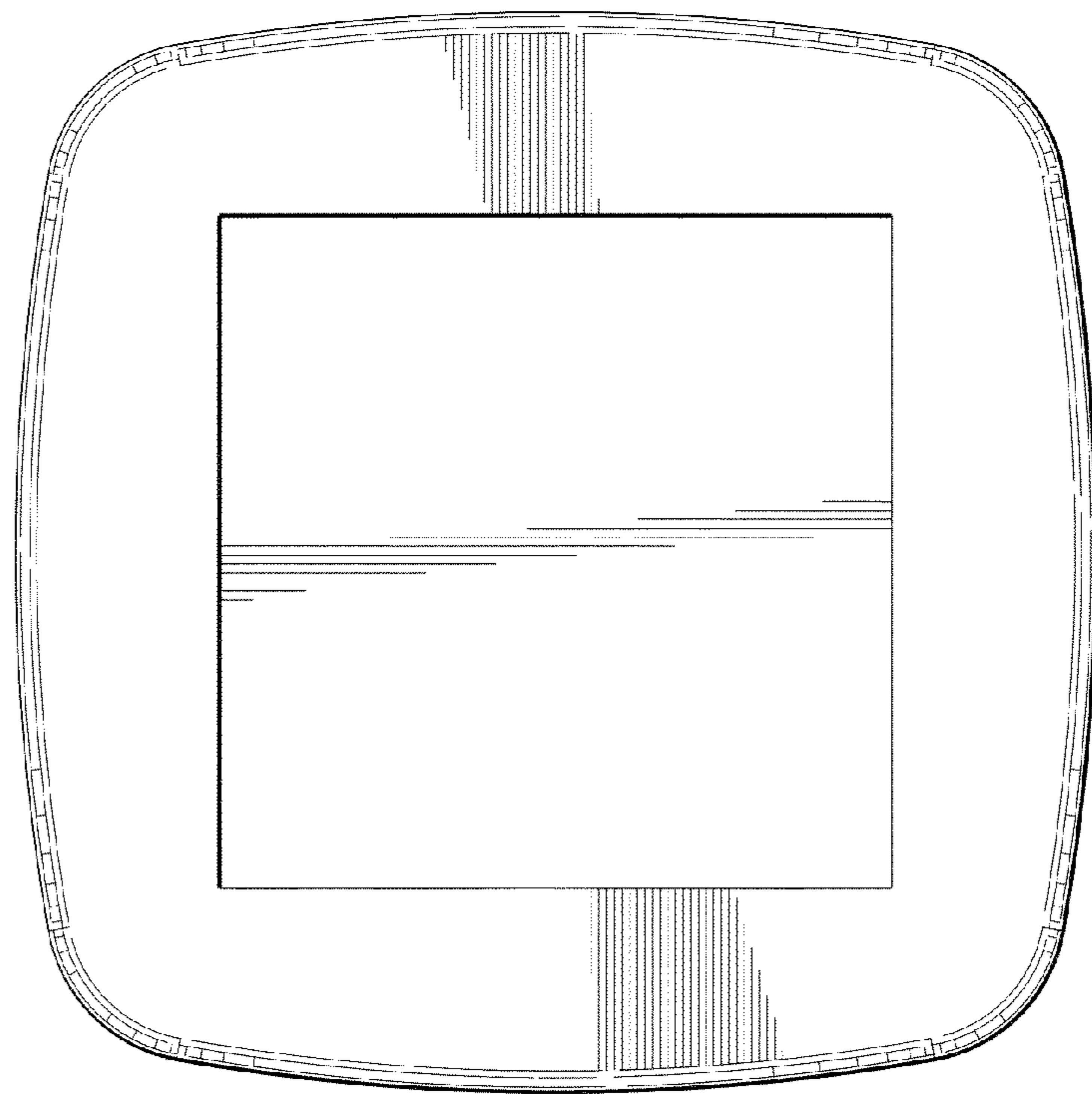


FIG. 6

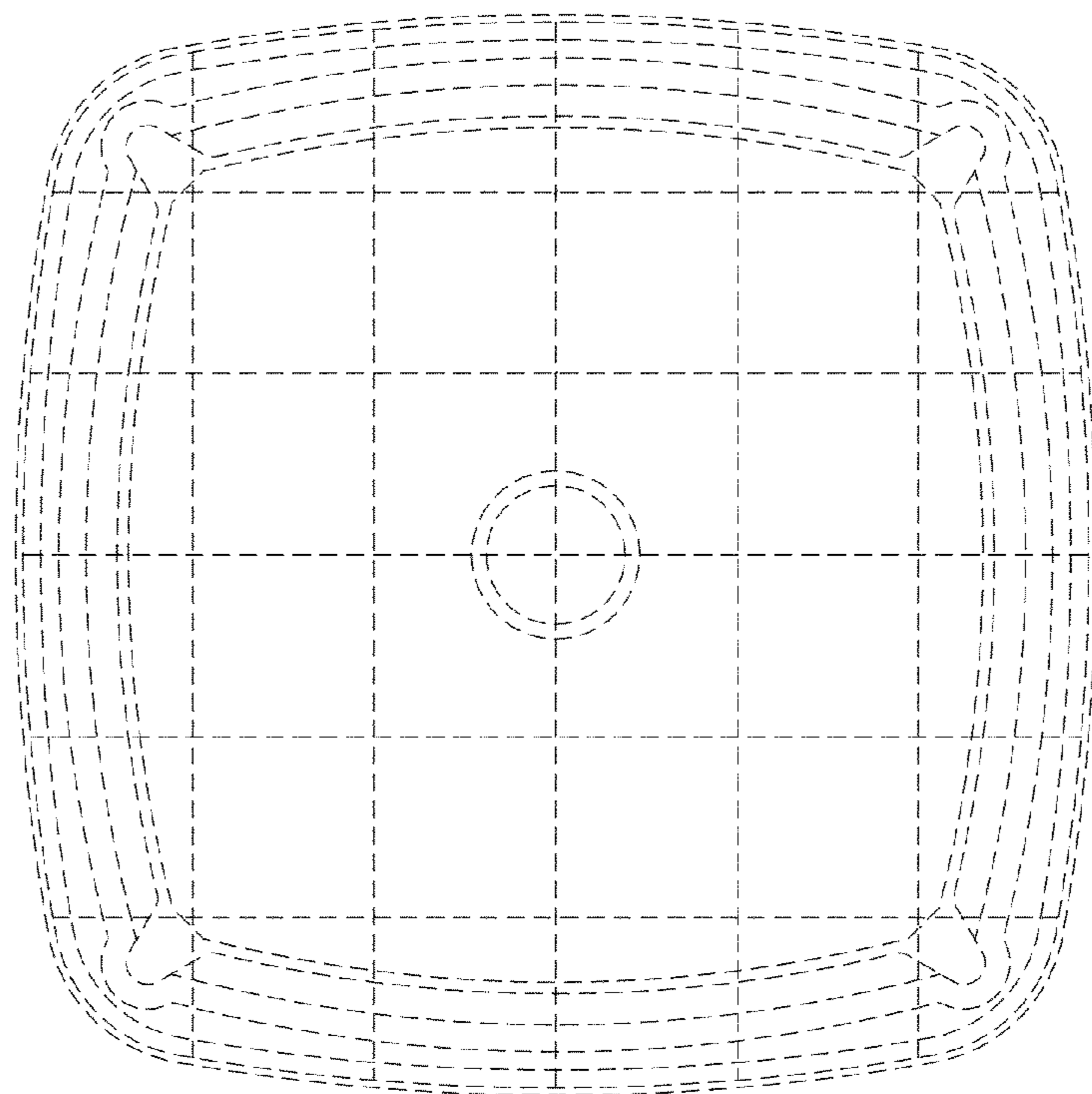


FIG. 7