



US00D688359S

(12) **United States Design Patent**  
**Ogata et al.**

(10) **Patent No.:** **US D688,359 S**  
(45) **Date of Patent:** **\*\* Aug. 20, 2013**

(54) **TOILET SEAT WITH CLEANING FUNCTION**

(71) Applicants: **Rina Ogata**, Kitakyushu (JP); **Yusuke Takiguchi**, Kitakyushu (JP)

(72) Inventors: **Rina Ogata**, Kitakyushu (JP); **Yusuke Takiguchi**, Kitakyushu (JP)

(73) Assignee: **Toto Ltd.** (JP)

(\*\*) Term: **14 Years**

(21) Appl. No.: **29/439,447**

(22) Filed: **Dec. 11, 2012**

(51) **LOC (9) Cl.** ..... **23-02**

(52) **U.S. Cl.**  
USPC ..... **D23/311**

(58) **Field of Classification Search**  
USPC ..... D23/295, 311; 4/234, 237, 239,  
4/242.1  
See application file for complete search history.

(56) **References Cited**

**U.S. PATENT DOCUMENTS**

D338,951 S *	8/1993	Witzig	.....	D23/311
D618,325 S *	6/2010	Deng	.....	D23/311
D659,812 S *	5/2012	Shek	.....	D23/311

**OTHER PUBLICATIONS**

Applicant's copending U.S. Appl. No. 29/439,444.\*

\* cited by examiner

*Primary Examiner* — Robert Delehanty

(74) *Attorney, Agent, or Firm* — Banner & Witcoff, Ltd.

(57) **CLAIM**

The ornamental design for a toilet seat with cleaning function, as shown and described.

**DESCRIPTION**

FIG. 1 is a perspective view of the top, front and right side of a toilet seat with cleaning function showing our new design; FIG. 2 is a front view thereof; FIG. 3 is a rear view thereof; FIG. 4 is a left side view thereof; FIG. 5 is a right side view thereof; FIG. 6 is a top view thereof; FIG. 7 is a bottom view thereof; and, FIG. 8 is a perspective view showing the usage thereof. The portion of the article in broken lines are shown for illustrative purposes only and form no part of the claimed design.

**1 Claim, 6 Drawing Sheets**

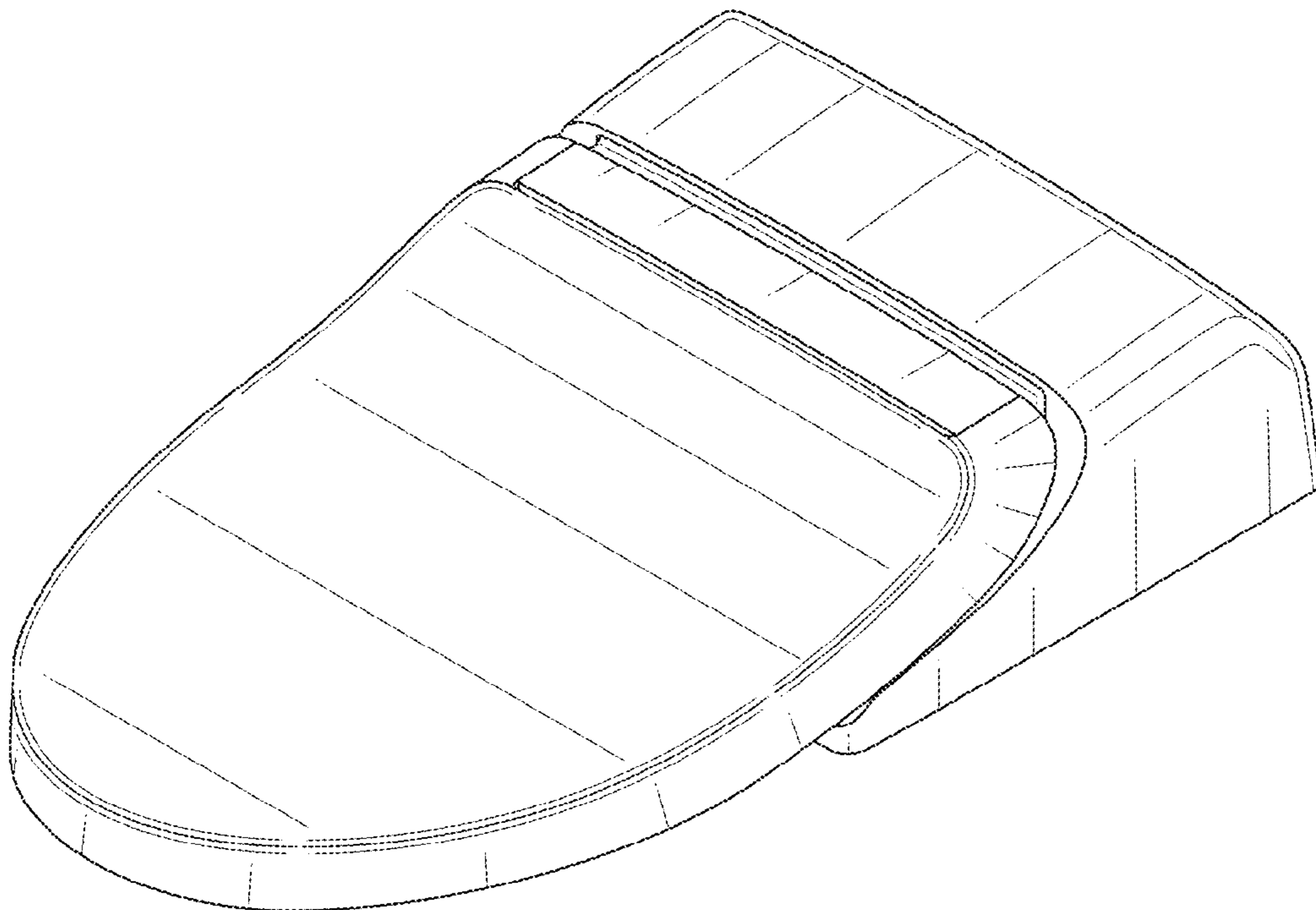


Fig. 1

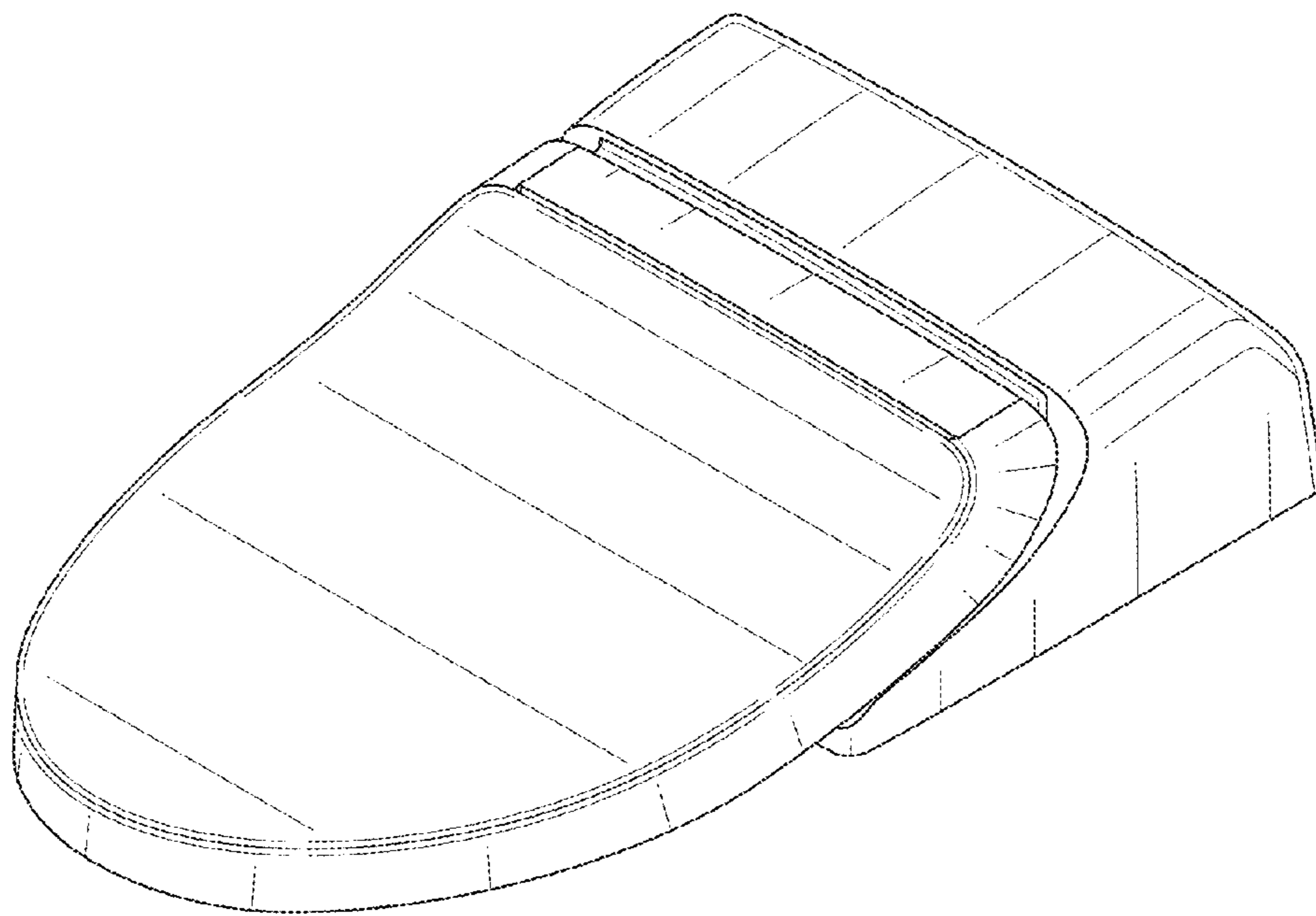


Fig. 2

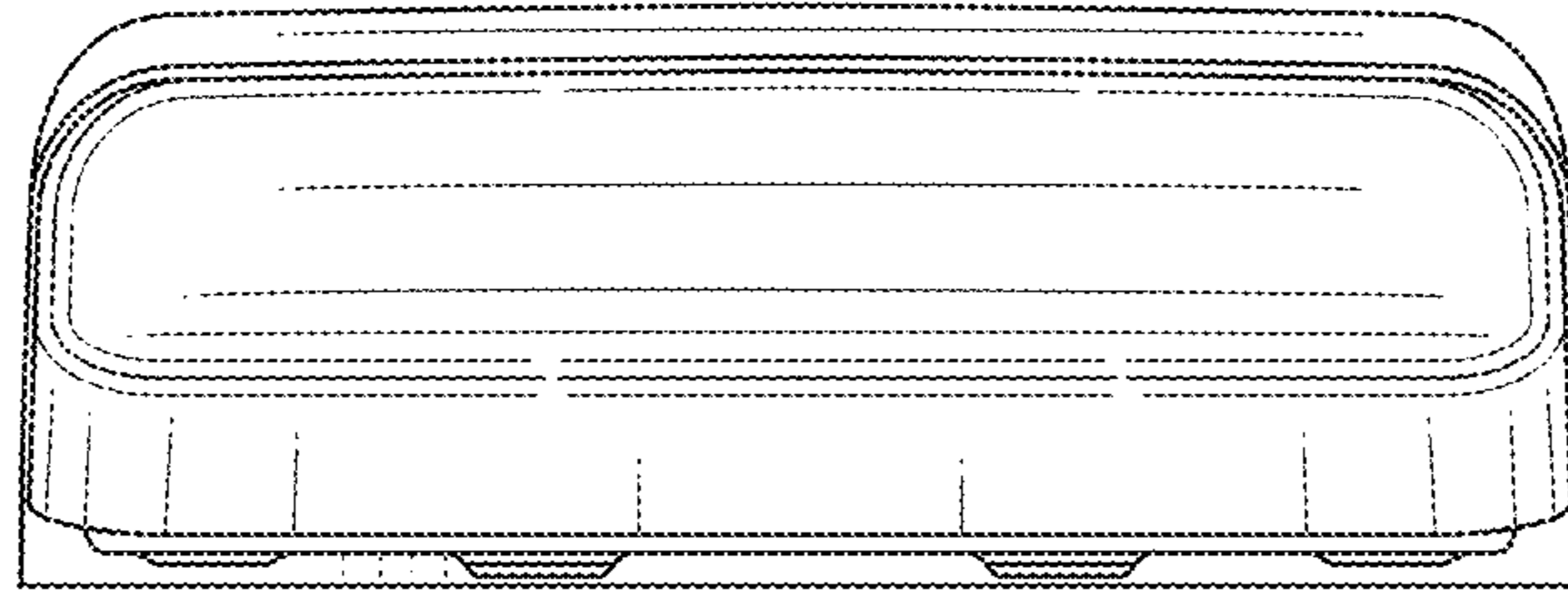


Fig. 3

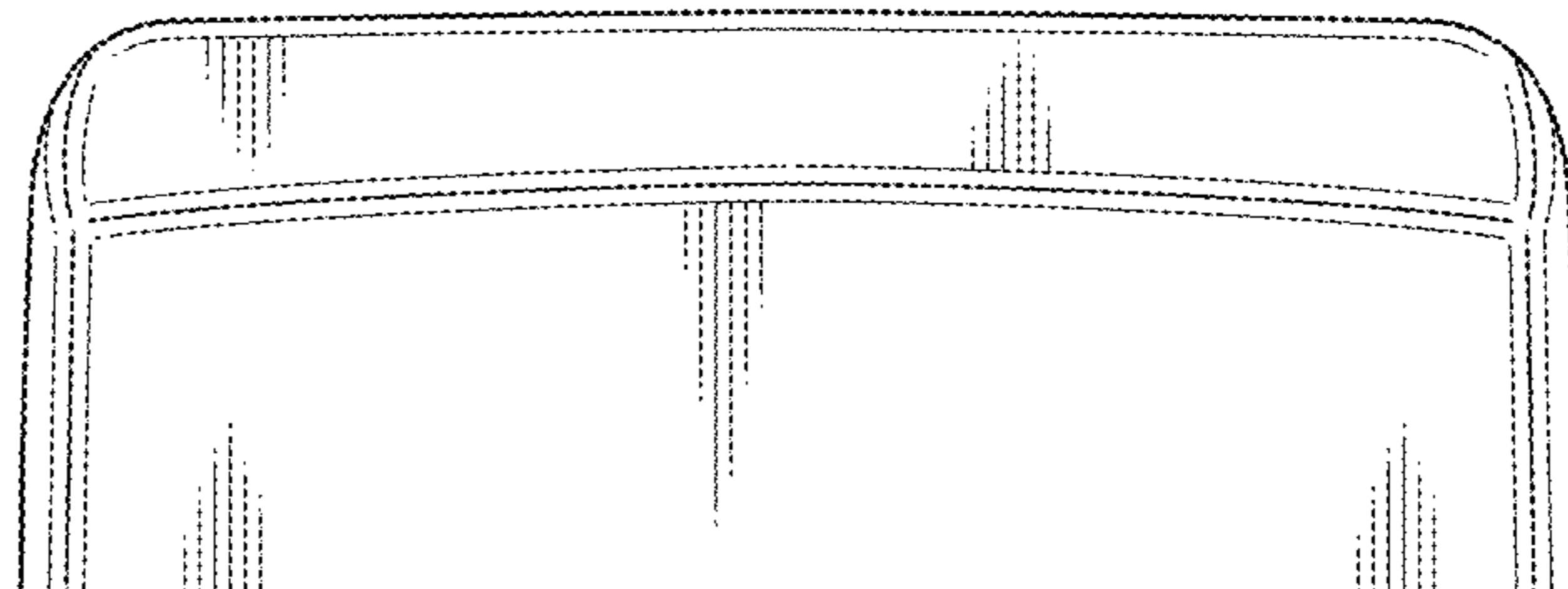


Fig. 4

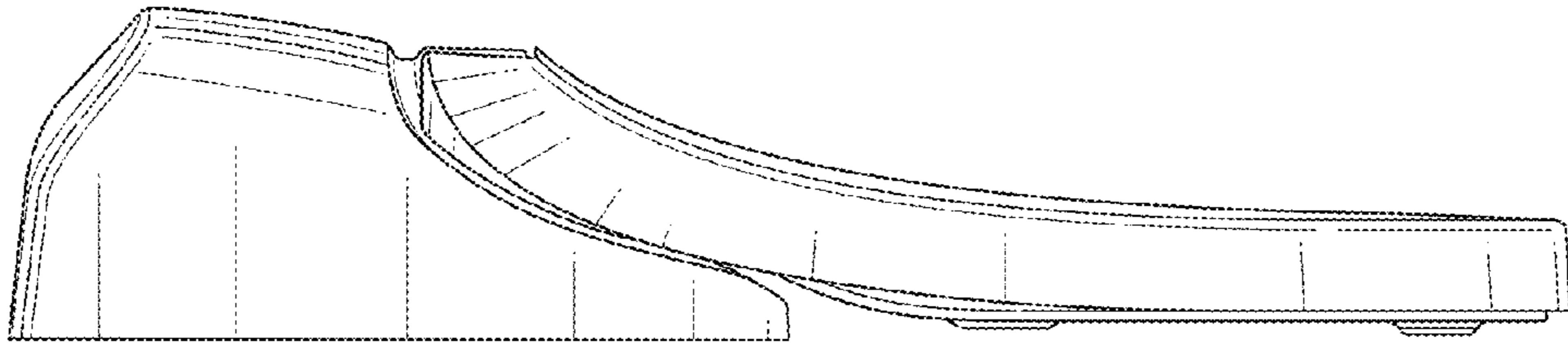


Fig. 5

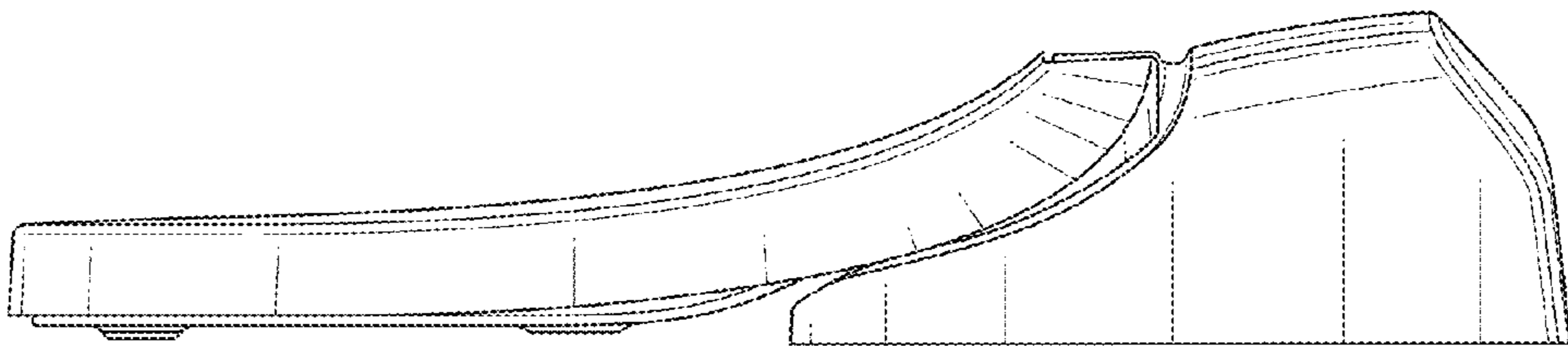


Fig. 6

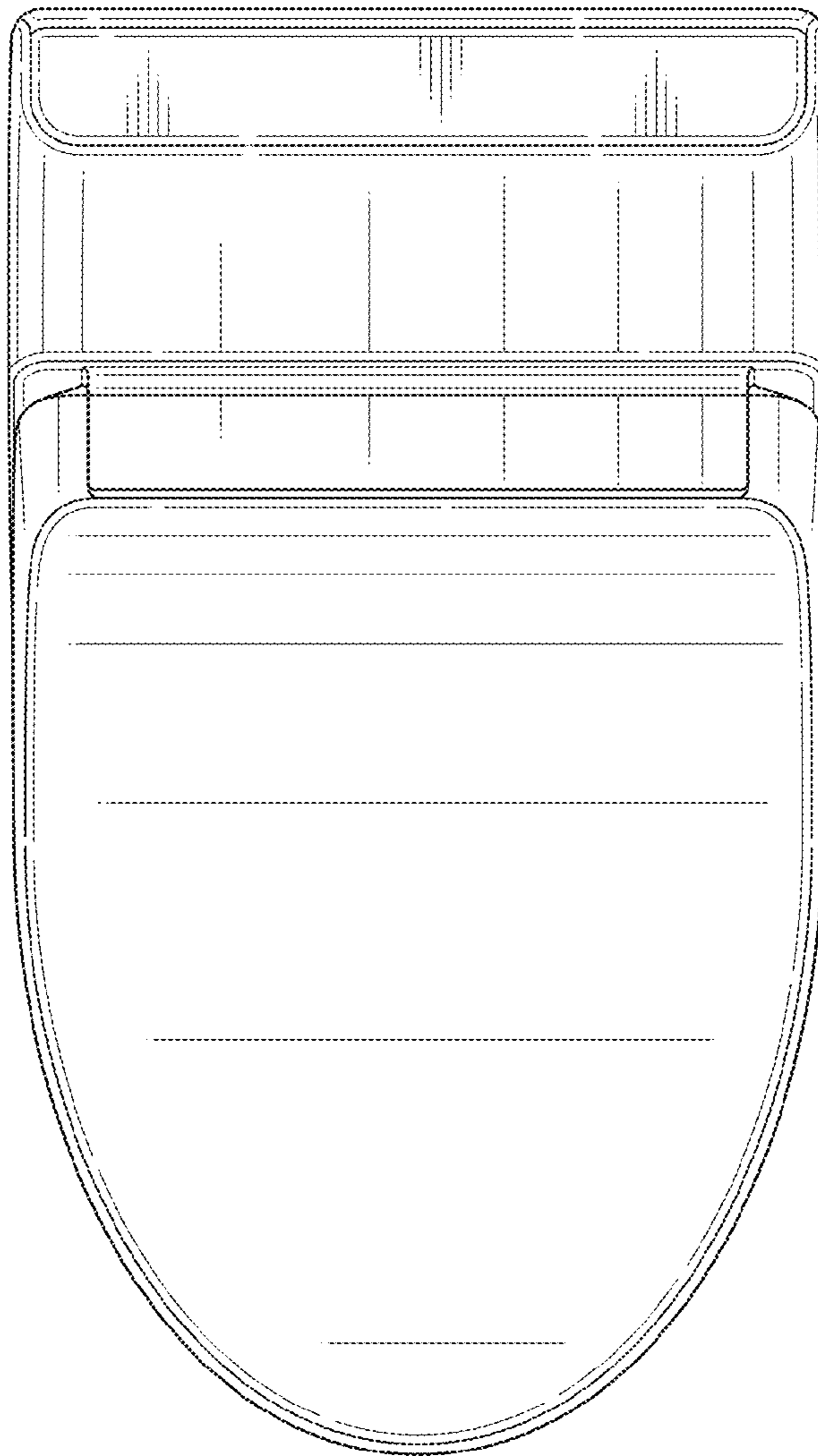


Fig. 7

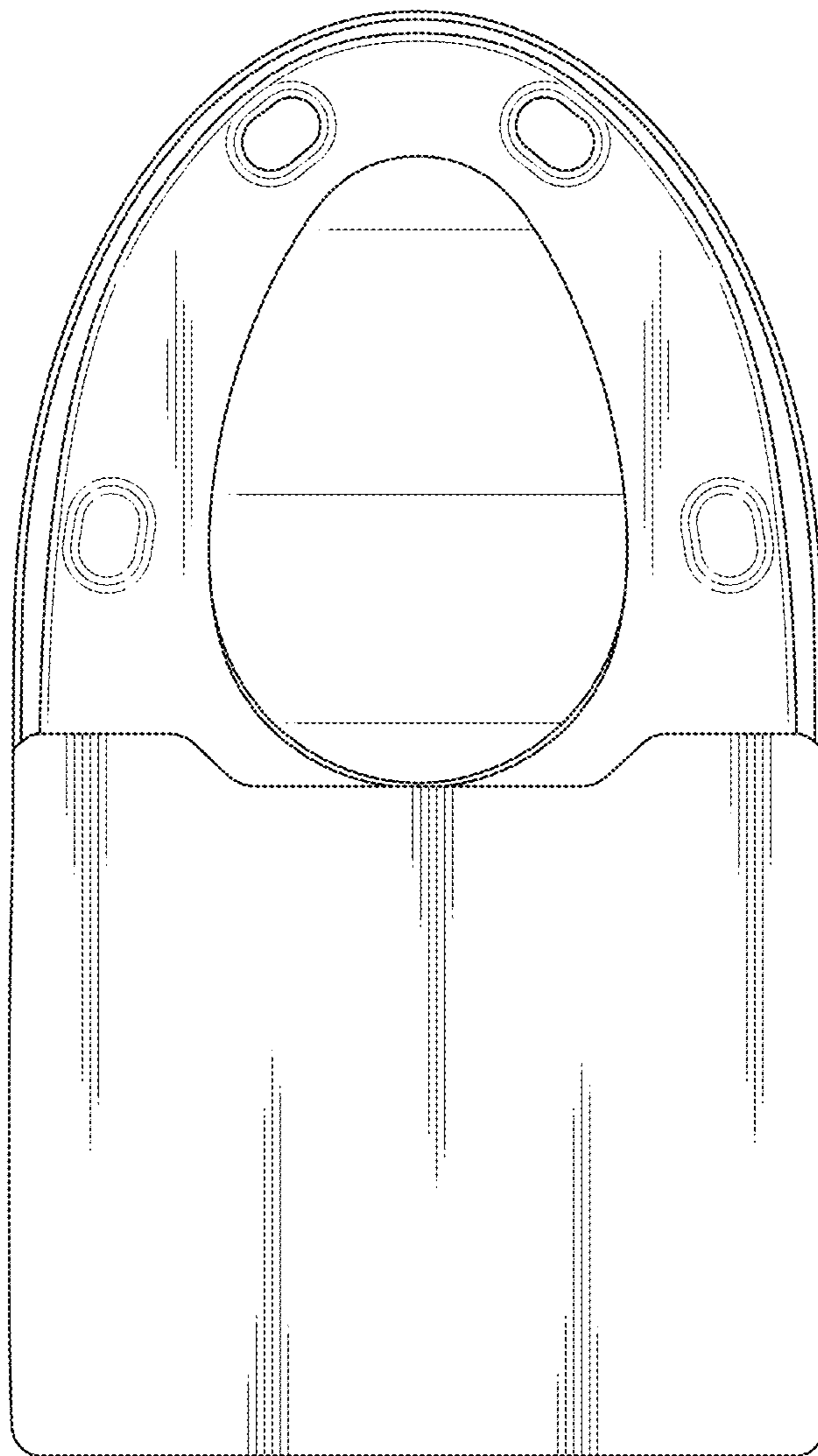
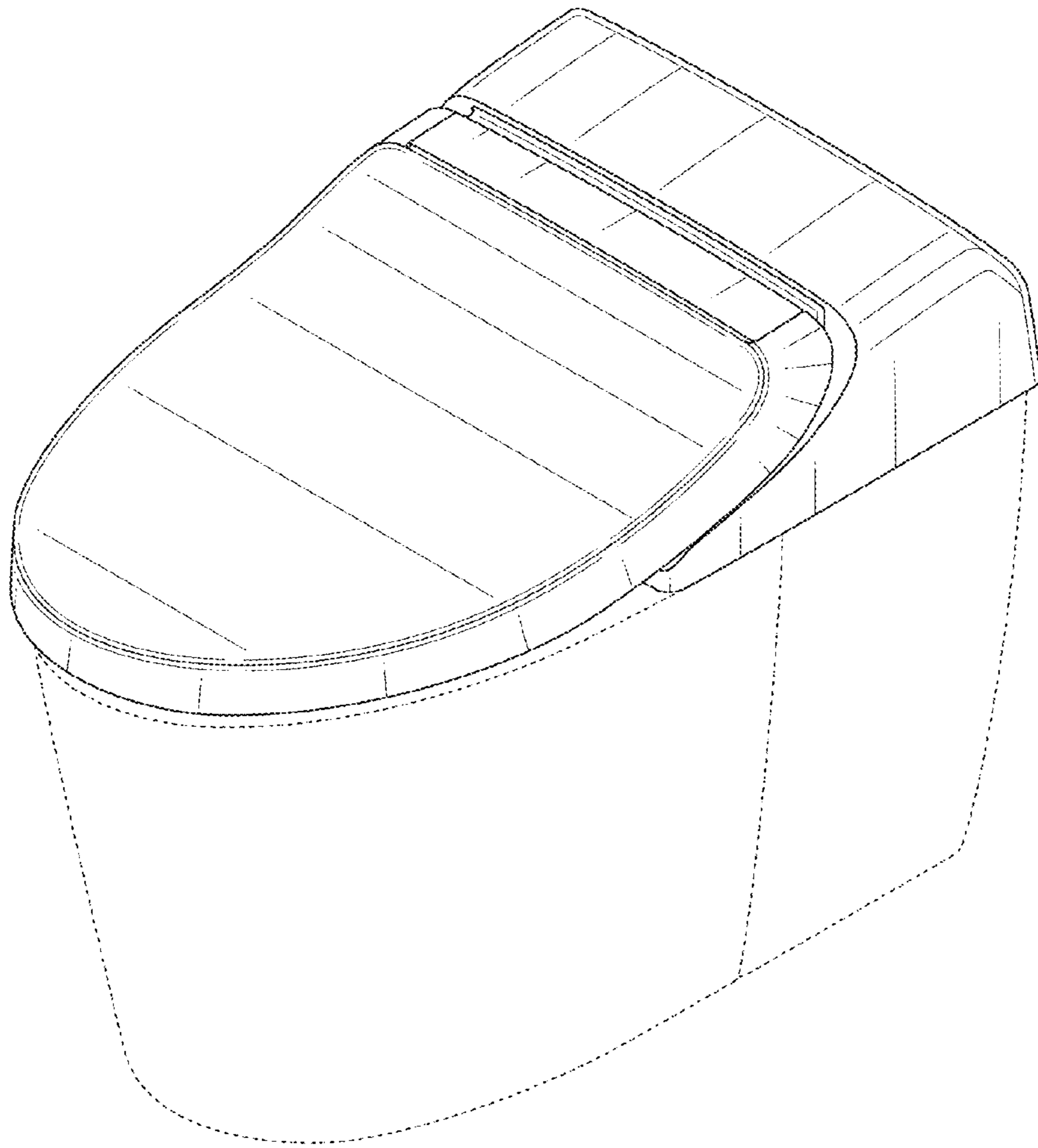


Fig. 8



UNITED STATES PATENT AND TRADEMARK OFFICE  
**CERTIFICATE OF CORRECTION**

PATENT NO. : D688,359 S  
APPLICATION NO. : 29/439447  
DATED : August 20, 2013  
INVENTOR(S) : Ogata et al.

Page 1 of 1

It is certified that error appears in the above-identified patent and that said Letters Patent is hereby corrected as shown below:

On the title page after item (22)...insert

--(30) Foreign Application Priority Data

June 11, 2012 (JP).....2012-013845

June 11, 2012 (JP).....2012-013848--

Signed and Sealed this  
Thirtieth Day of December, 2014



Michelle K. Lee  
*Deputy Director of the United States Patent and Trademark Office*