



US00D688358S

(12) **United States Design Patent**
Ogata et al.

(10) **Patent No.:** **US D688,358 S**

(45) **Date of Patent:** **** Aug. 20, 2013**

(54) **TOILET SEAT WITH CLEANING FUNCTION**

(71) Applicants: **Rina Ogata**, Kitakyushu (JP); **Yusuke Takiguchi**, Kitakyushu (JP)

(72) Inventors: **Rina Ogata**, Kitakyushu (JP); **Yusuke Takiguchi**, Kitakyushu (JP)

(73) Assignee: **Toto Ltd.** (JP)

(**) Term: **14 Years**

(21) Appl. No.: **29/439,444**

(22) Filed: **Dec. 11, 2012**

(30) **Foreign Application Priority Data**

Jun. 11, 2012 (JP) 2012-013844

(51) **LOC (9) Cl.** **23-02**

(52) **U.S. Cl.**
USPC **D23/311**

(58) **Field of Classification Search**
USPC D23/295, 311; 4/234, 237, 239,
4/242.1

See application file for complete search history.

(56) **References Cited**

U.S. PATENT DOCUMENTS

D338,951 S * 8/1993 Witzig D23/311
D618,325 S * 6/2010 Deng D23/311

OTHER PUBLICATIONS

Applicant's copending case U.S. Appl. No. 29/439,447.*

* cited by examiner

Primary Examiner — Robert Delehanty

(74) *Attorney, Agent, or Firm* — Banner & Witcoff, Ltd.

(57) **CLAIM**

The ornamental design for a toilet seat with cleaning function, as shown and described.

DESCRIPTION

FIG. 1 is a perspective view of the top, front and right side of a toilet seat with cleaning function showing our new design;

FIG. 2 is a front view thereof;

FIG. 3 is a rear view thereof;

FIG. 4 is a left side view thereof;

FIG. 5 is a right side view thereof;

FIG. 6 is a top view thereof; and,

FIG. 7 is a bottom view thereof.

1 Claim, 5 Drawing Sheets

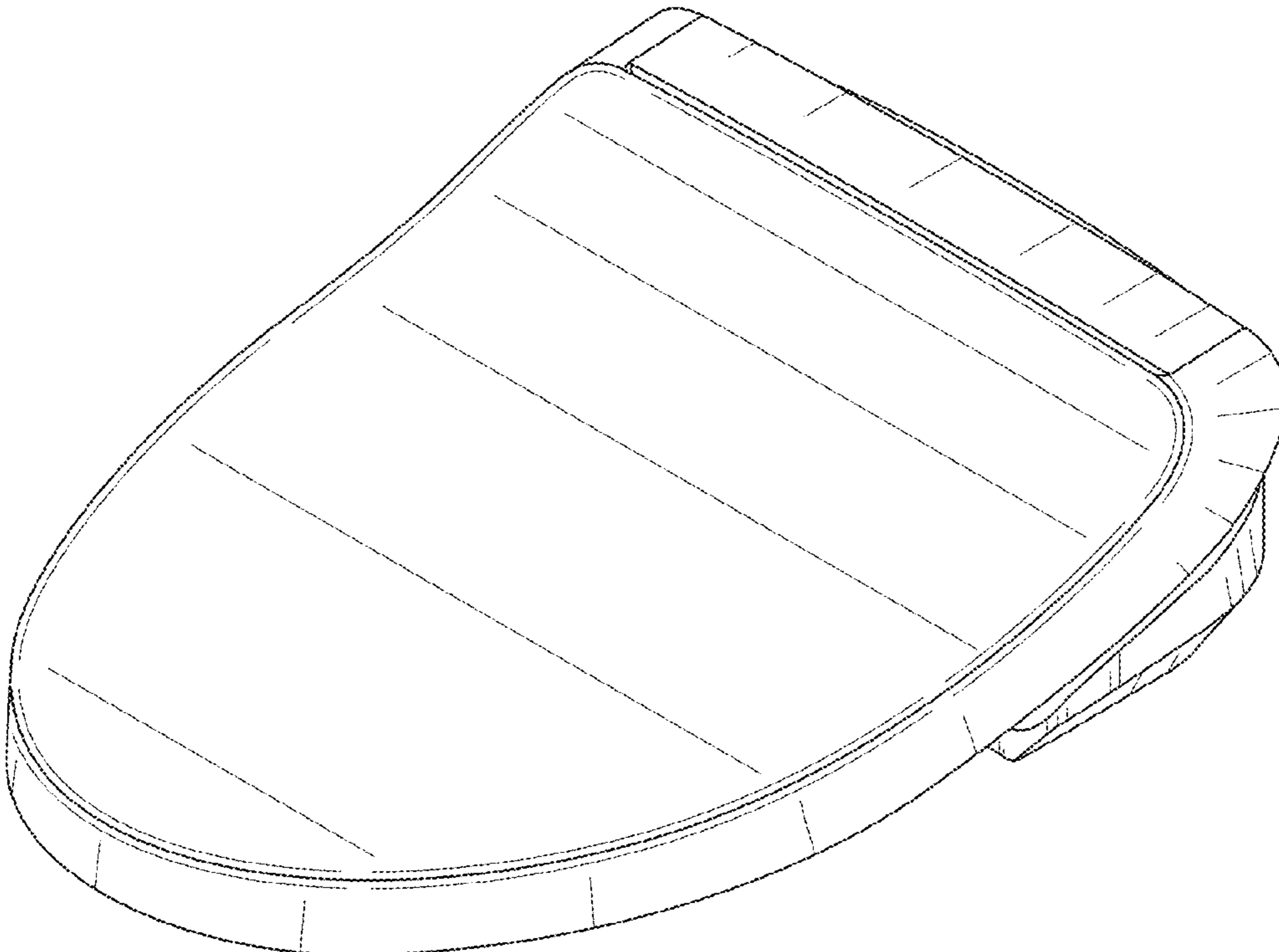


Fig. 1

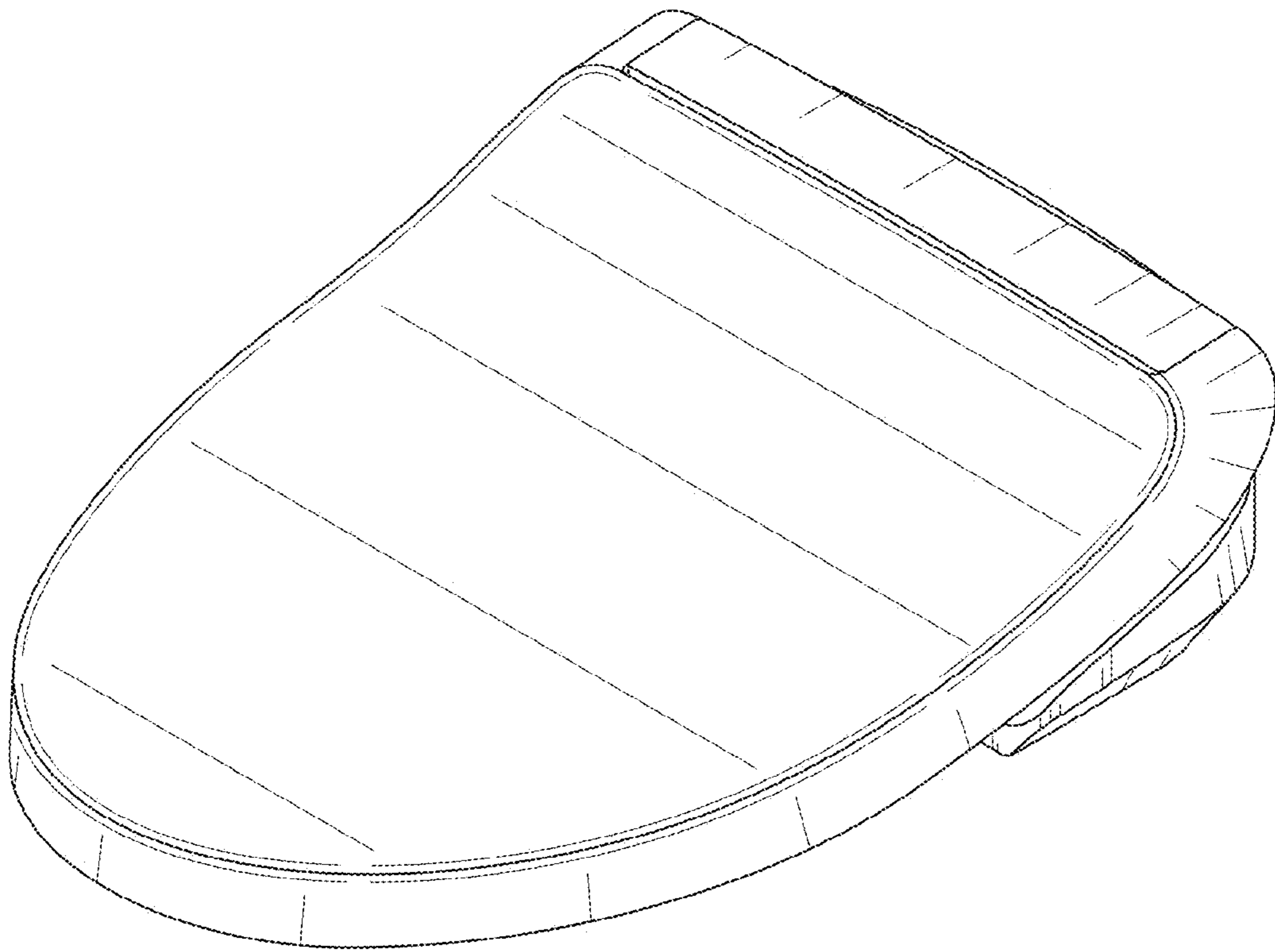


Fig. 2

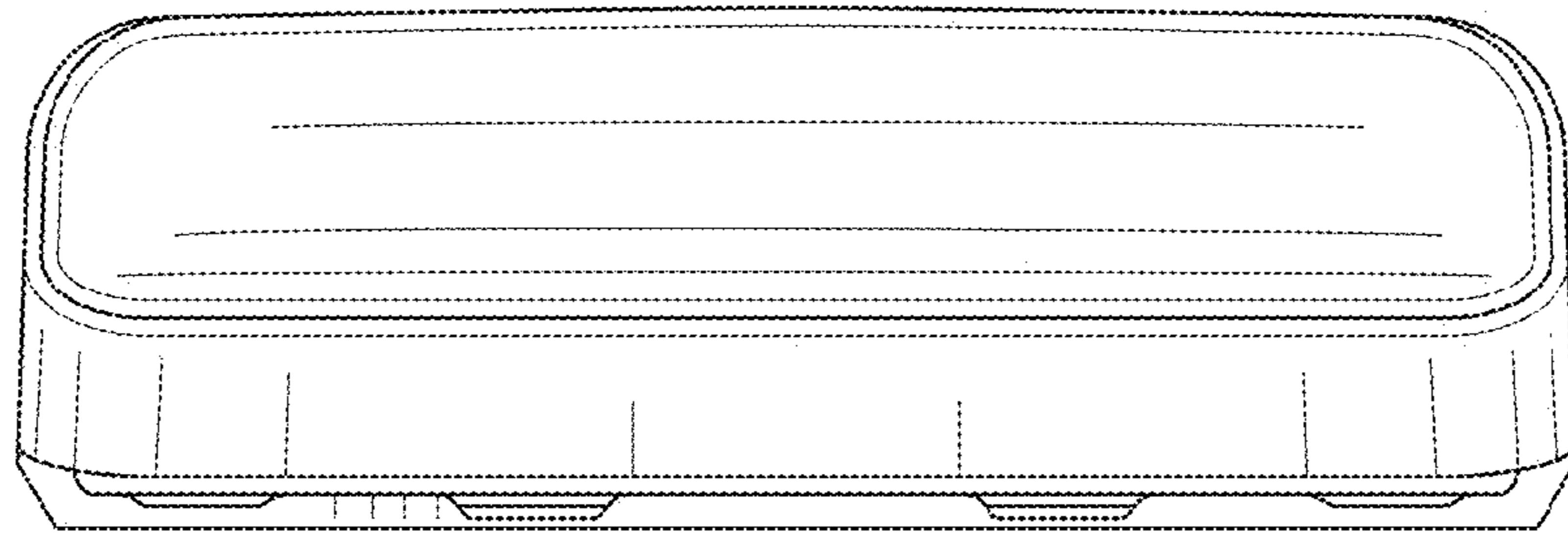


Fig. 3

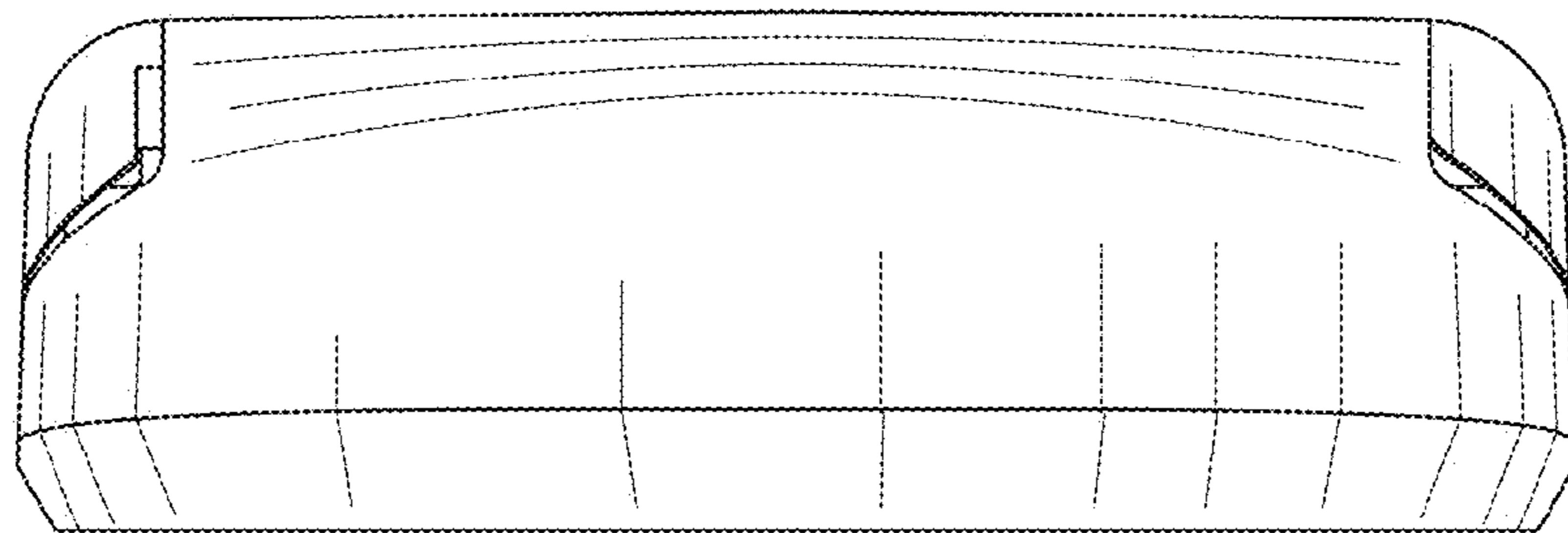


Fig. 4

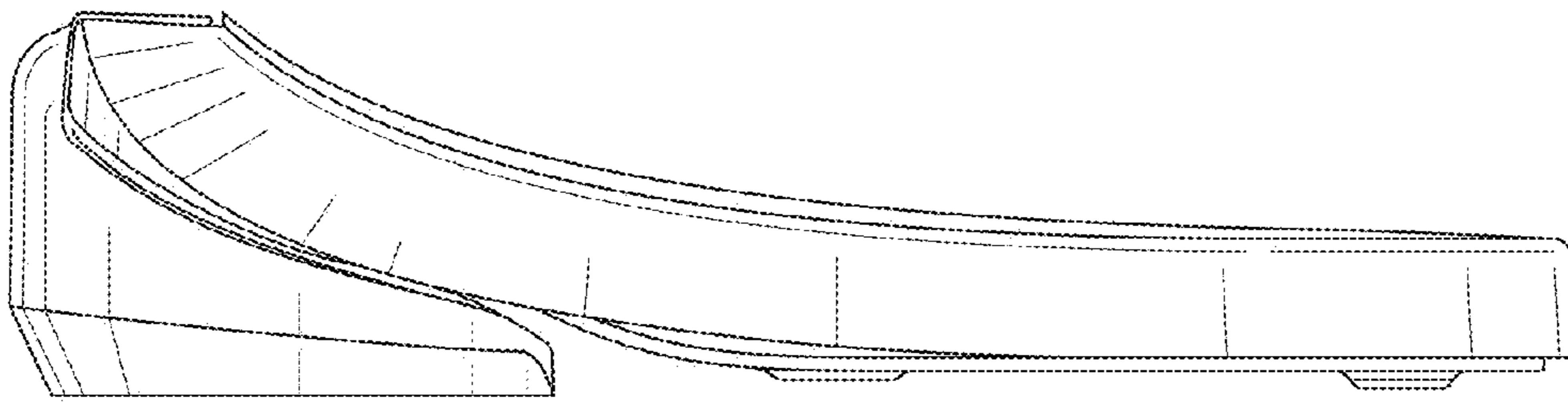


Fig. 5

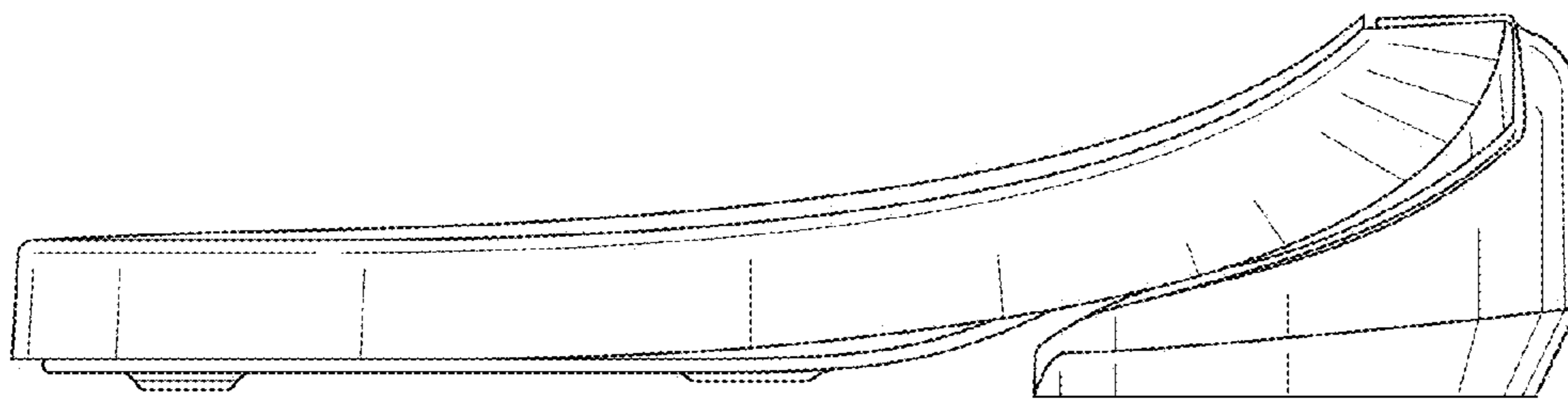


Fig. 6

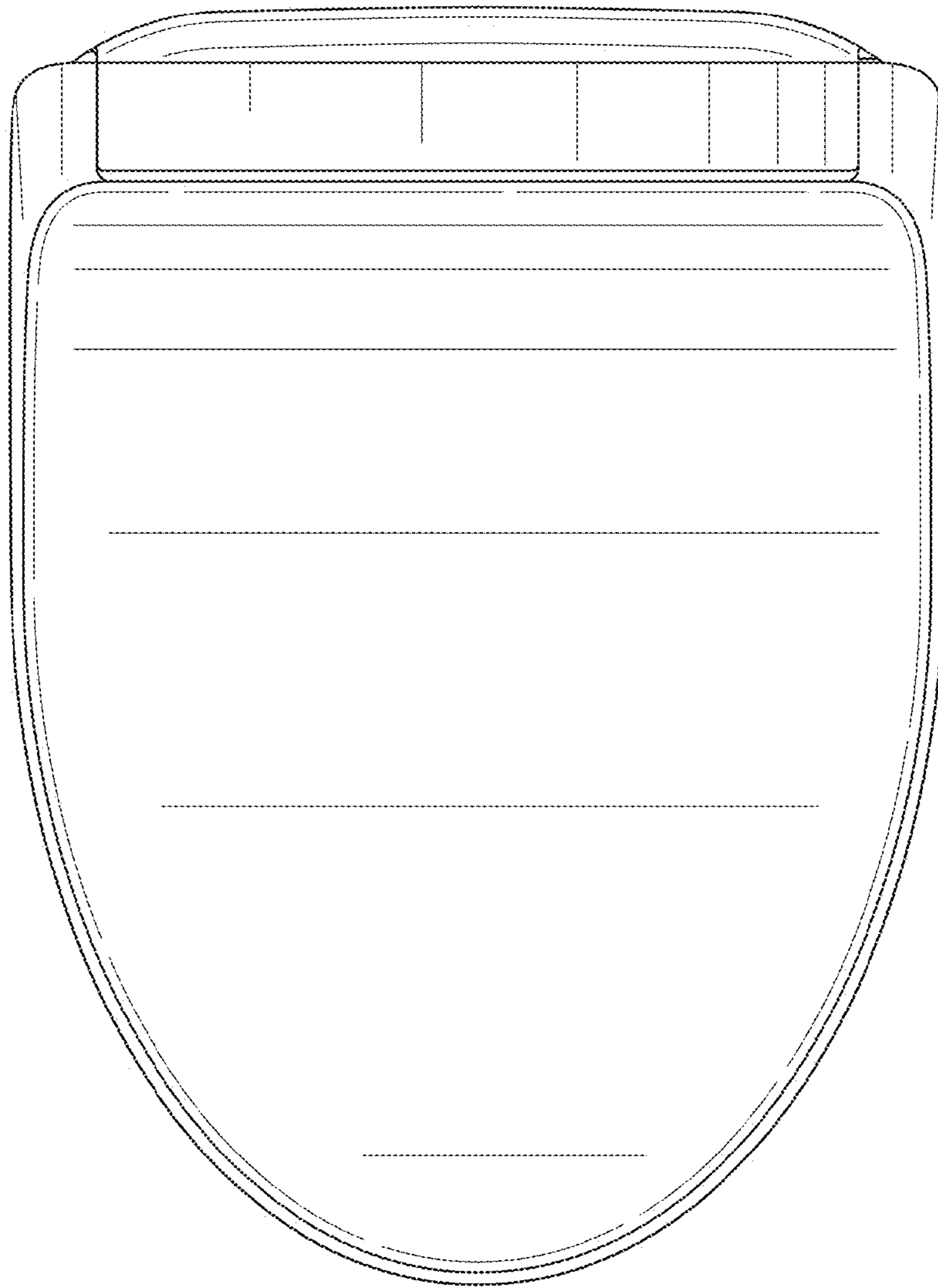


Fig. 7

